

# RMBA19500A-58

## PCS1900 2 Watt GaAs MMIC

### Power Amplifier

ADVANCED INFORMATION

**Description**

The RMBA19500A-58 is a high power, highly linear Power Amplifier. The circuit uses Raytheon's pHEMT process. It has been designed for use as a driver stage for PCS1900 base stations, or as the output stage for Micro- and Pico-Cell base stations. The amplifier has been optimized for high linearity requirements for PCS operation. The device is matched for 50 ohms input impedance.

**Features**

- ◆ 2 Watt linear output power at 38 dBc ACPR1 for CDMA operation
- ◆ OIP3 ≥43 dBm at 27 and 30 dBm output
- ◆ Small Signal Gain of 28 dB
- ◆ Small outline SMD package



**Absolute Maximum Ratings**

Parameter	Symbol	Value	Unit
Drain Supply Voltage <sup>1</sup>	Vd	+10	Volts
Gate Supply Voltage (max absolute value)	Vg	-5	Volts
RF Input Power (from 50Ω source)	Pin	+5	dBm
Operating Case Temperature Range	Tc	-30 to +85	°C
Storage Temperature Range	Tstg	-40 to +100	°C

**Electrical Characteristics<sup>2</sup>**

Parameter	Min	Typ	Max	Unit	Parameter	Min	Typ	Max	Unit
Frequency Range	1930		1990	MHz	PAE (At P1dB output power <sup>4</sup> )		22		%
Gain (small signal) Over 1930-1990 MHz	28	30		dB	OIP3 <sup>5</sup>	43	45		dBm
Gain variation: Over frequency range		+/- 1.0		dB	Drain Voltage (Vd)		7.0		Volts
Over temperature range		+/- 1.5		dB	Gate Voltages <sup>6</sup>	-1.5		-0.5	Volts
Noise Figure		6		dB	Quiescent current (Idq1,2, 3) <sup>6</sup>		185		mA
P1dB Output	28	30		dBm	Thermal Resistance (Channel to Case)	Rjc	11		°C/W
Output Power @ CDMA <sup>3</sup>	33			dBm					

**Notes:**

1. Only under quiescent conditions - no RF applied.
2. 50 ohm system, Vd = 7.0V, Tc = 25°C.
3. 9 channel forward line QPSK source; 1.23 Mbps modulation rate. ACPR1 measured at 885 KHz offset at a value of ≥38 dBc. CDMA waveform measured using the ratio of the average power within the 1.23 MHz channel and within a 30 KHz bandwidth at an 885 KHz offset.
4. Single tone at Bandcenter.
5. Ultra-linear OIP3 specifications are achieved for output power levels of 27 and 30 dBm per tone.
6. Quiescent currents can be adjusted to optimize the linearity of the amplifier for differing operation. Default biasing is optimized for PCS. Gate voltages are to be adjusted to achieve these quiescent currents.

Characteristic performance data and specifications are subject to change without notice.

# RMBA19500A-58

## PCS1900 2 Watt GaAs MMIC

### Power Amplifier

**Application Information**

**CAUTION: THIS IS AN ESD SENSITIVE DEVICE**

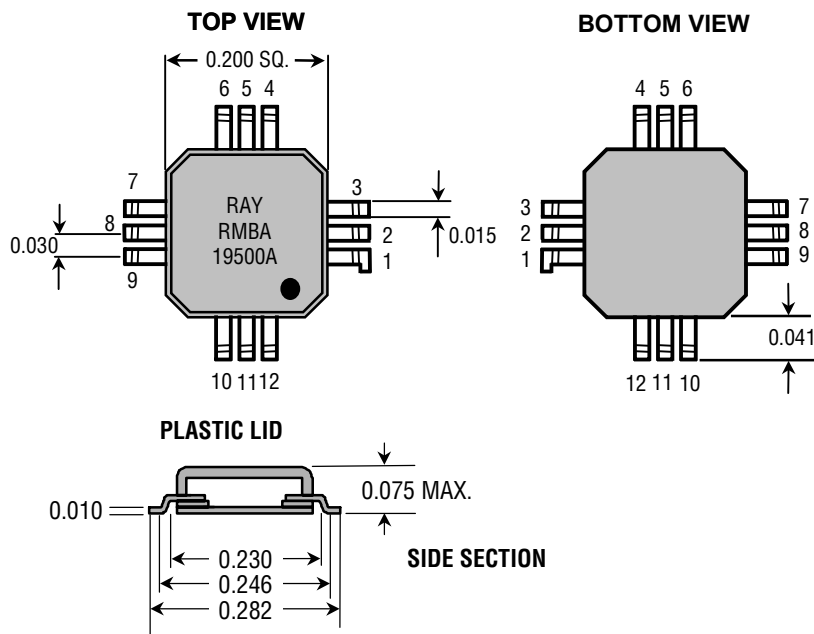
The following describes a procedure for evaluating the RMBA19500A-58, a monolithic high efficiency power amplifier, in a surface mount package, designed for use as a driver stage for PCS1900 Base station or as the final output stage for Micro- and Pico-Cell base stations. Figure 1 shows the package outline and the pin designations. Figure 2 shows the functional block diagram of the packaged product. It should be noted that RMBA19500A-58 requires external passive components for DC bias and RF output matching circuits. A recommended schematic circuit is shown in Figure 3. The gate biases for the three stages of the amplifier may be set by simple resistive voltage dividers. Figure 4 shows a typical layout of an evaluation board, corresponding to the schematic circuits of figure 3. The following designations should be noted:

- (1) Pin designations are as shown in figure 2.
- (2) Vg1, Vg2, and Vg3 are the Gate Voltages (negative) applied at the pins of the package.
- (3) Vgg1, 2, and Vgg3 are the negative supply voltages at the evaluation board terminals (Vg1 and Vg2 are tied together).
- (4) Vd1, Vd2, and Vd3 are the Drain Voltages (positive) applied at the pins of the package.
- (5) Vdd is the positive supply voltage at the evaluation board terminal (Vd1, Vd2, and Vd3 are tied together).

Note: The base of the package must be soldered on to a heat sink for proper operation.

**Figure 1**  
Package Outline and  
Pin Designations

Dimensions in inches



Pin#	Description
1	RF Out & Vd3
2	RF Out & Vd3
3	RF Out & Vd3
4	Vd1
5	GND
6	Vg1
7	RF In
8	GND
9	Vg2
10	Vd2
11	GND
12	Vg3
13	GND

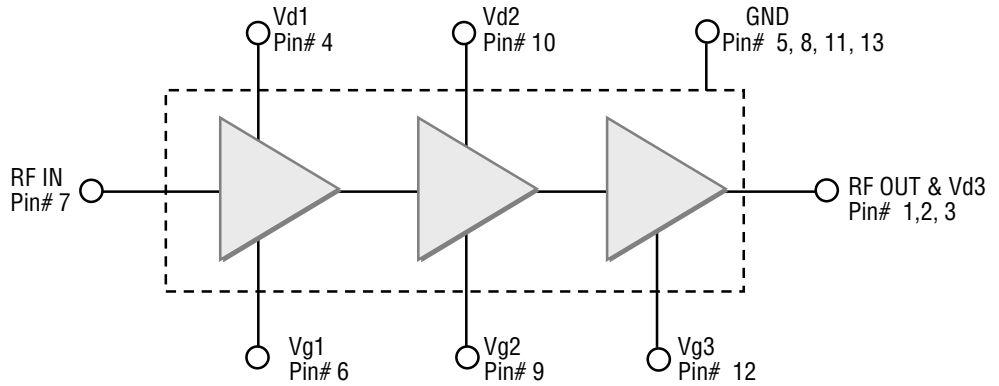
Characteristic performance data and specifications are subject to change without notice.

# RMBA19500A-58

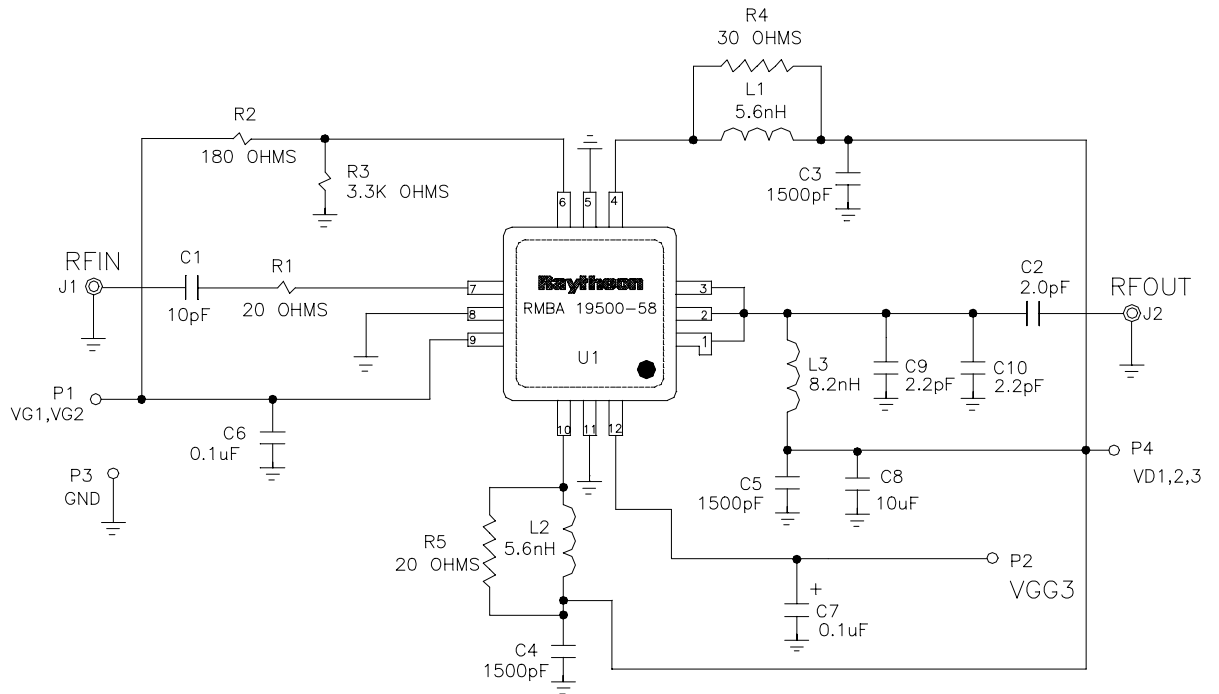
## PCS1900 2 Watt GaAs MMIC

### Power Amplifier

**Figure 2**  
Functional Block Diagram



**Figure 3**  
Schematic of Application Circuit showing external components



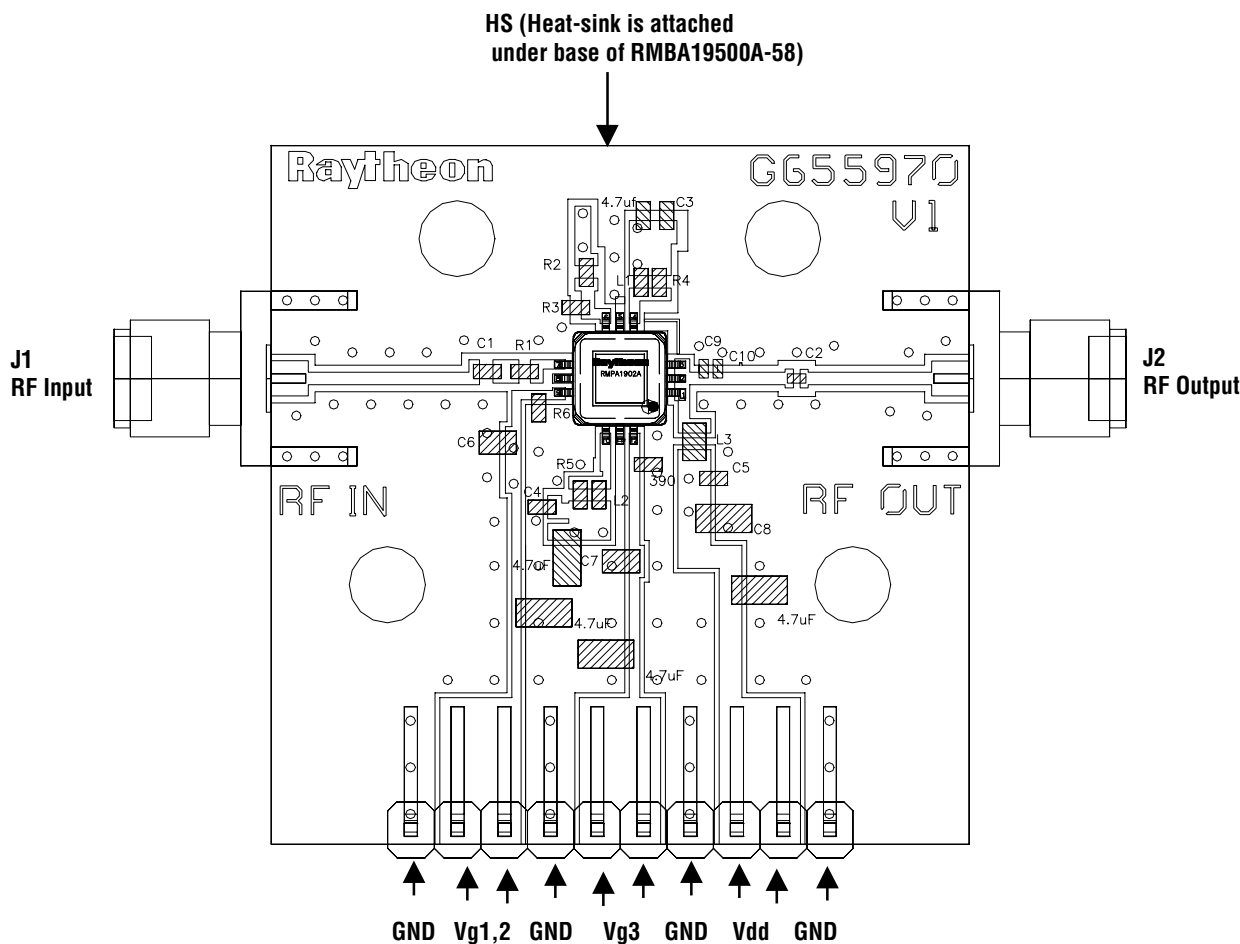
Characteristic performance data and specifications are subject to change without notice.

# RMBA19500A-58

## PCS1900 2 Watt GaAs MMIC

### Power Amplifier

**Figure 4**  
Layout of Test  
Evaluation Board  
(RMBA19500A-58-TB)



**Test Procedure**  
for the evaluation board  
(RMBA19500A-58-TB)

**CAUTION: LOSS OF GATE VOLTAGES (Vg1, Vg2, Vg3) WHILE CORRESPONDING DRAIN VOLTAGES (Vdd) ARE PRESENT CAN DAMAGE THE AMPLIFIER.**

The following sequence must be followed to properly test the amplifier. (It is necessary to add a fan to provide air cooling across the heat sink of RMBA19500A.)

- Step 1:** Turn off RF input power.
- Step 2:** Use GND terminal of the evaluation board for the ground of the DC supplies. Set Vgg1, 2 and Vgg3 to -4V (pinch-off).
- Step 3:** Slowly apply drain supply voltages of +5 V to the board terminal Vdd ensuring that there is no short.
- Step 4:** Adjust Vgg3 up from -3V until the drain current (with no RF applied) increases to Idq3 as per supplied result sheet. Then adjust Vgg1, 2 until the total drain current becomes equal to the sum of Idq1, 2 and Idq3.
- Step 5:** After the bias condition is established, RF input signal may now be applied at the appropriate frequency band and appropriate power level.
- Step 6:** Follow turn-off sequence of:
  - (i) Turn off RF Input Power
  - (ii) Turn down and off drain voltage Vdd.
  - (iii) Turn down and off gate voltages Vgg1, 2 and Vgg3.

Characteristic performance data and specifications are subject to change without notice.

# RMBA19500A-58

## PCS1900 2 Watt GaAs MMIC

### Power Amplifier

#### Parts List

for Test Evaluation Board  
(RMBA19500A-58-TB,  
G654188/G654942)

Part	Value	EIA Size	Vendor(s)
L1, L2	5.6 nH	.06" x .03"	Toko (LL1608-F5N6)
L3	8.2 nH	.08" x .05"	Coilcraft (0805HT-8N2TKBC)
C1	10 pF	.06" x .03"	Murata (GRM39COG100J050AD)
C2	2.2 pF	.06" x .03"	Murata (GRM39COG2R2J050BD)
C3, C4, C5	1500 pF	.06" x .03"	Murata (GRM39Y5V152Z50V)
C10, C9	2.2 pF	.06" x .03"	Murata (GRM39COG2R2J050BD)
C8	10.0 uF	.12"x.06"	TDK (CC1206JX5R106M)
C6,C7	0.1uF		Murata (GRM39Y5V104Z)
R1-R5	20 Ohms	.06"x .03"	IMS (RCI-0603-20R0J)
R2	180 Ohms	.06"x .03"	IMS (RCI-0603-1800J)
R3	3.3K Ohms	.06"x .03"	IMS (RCI-0603-3301J)
R4	30 Ohms	.06"x .03"	IMS (RCI-0603-30R0J)
U1	RMBA19500A-58	.31" x .41	Raytheon, G654466/G653367
HS	Heatsink		Raytheon, G655548
P1-P5	Terminals		Samtec (TSW-102-09-T-S-RE)
J1, J2	SMA Connectors		E.F. Johnson (142-0701-841)
Board	FR4		Raytheon Dwg# G654187/G654941

#### Thermal Considerations

for Heat Sinking the  
RMBA 19500A-58

PWB must be prepared with either an embedded copper slug in the board where the package is to be mounted or a heat sink should be attached to the backside of PWB where the package is to be mounted on the front side. Both the slug or the heat sink should be made of a highly conductive (electrical and thermal) material such as copper or aluminum. The slug should be at least of the same thickness as PWB. In case of heat sink, a small pedestal should protrude through a hole in the PWB where the package bottom is directly soldered. In either configuration, the top surface of the slug or the pedestal should be made coplanar with the package lead mounting plane i.e., the top surface of PWB.

Use Sn/Pb (67/37) solder (or Sn/Pn/Ag 62/36/2 solder) at 2200C for 20 seconds or less. The package bottom should be firmly soldered to the slug or the pedestal while the pins are soldered to the respective pads on the front side of the PWB without causing any stress on the pins. Remove flux completely if used for soldering.

Characteristic performance data and specifications are subject to change without notice.

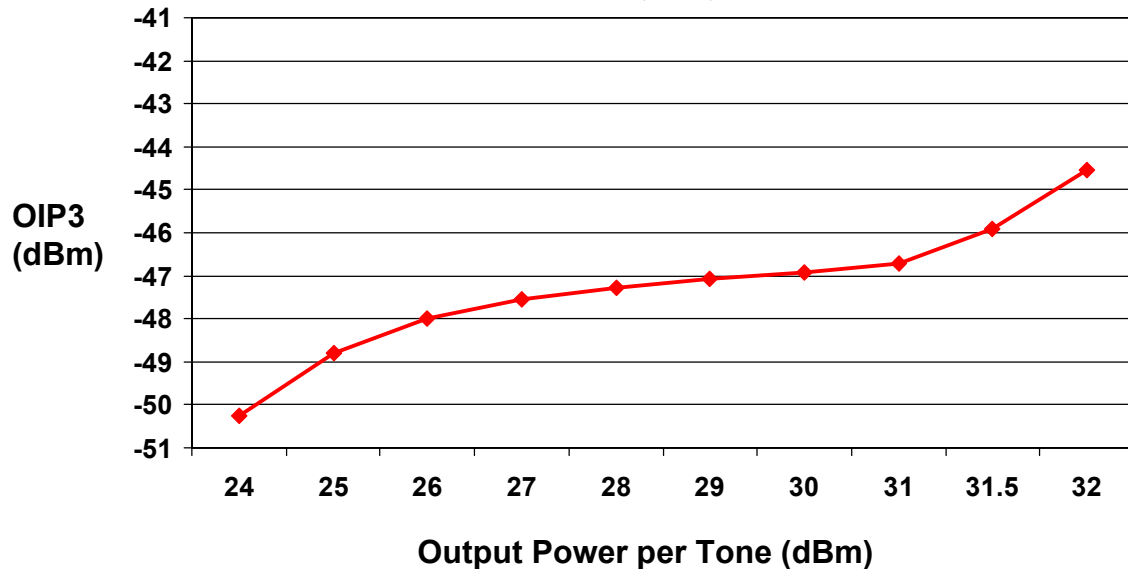
# RMBA19500A-58

## PCS1900 2 Watt GaAs MMIC

### Power Amplifier

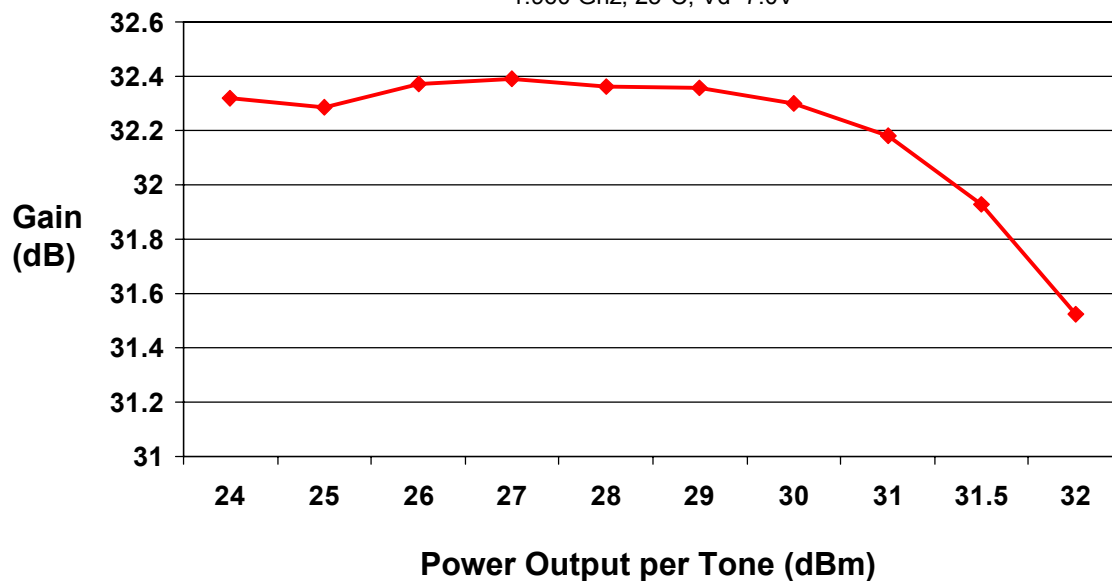
Performance Data

**RMBA19500A OIP3 vs Power Output per Tone**  
 1.960 Ghz, 25°C, Vd=7.0V



**Gain vs Power Output per Tone**

1.960 Ghz, 25°C, Vd=7.0V



Characteristic performance data and specifications are subject to change without notice.

# Worldwide Sales Representatives

**North America**

**D&L Technical Sales**  
6139 S. Rural Road, #102  
Tempe, AZ 85283  
480-730-9553  
fax: 480-730-9647  
Nicholas Delvecchio, Jr.  
dclarizona@aol.com

**Hi-Peak Technical Sales**  
P.O. Box 6067  
Amherst, NH 03031  
866-230-5453  
fax: 603-672-9228  
sales@hi-peak.com

**Spartech South**  
2115 Palm Bay Road, NE,  
Suite 4  
Palm Bay, FL 32904  
321-727-8045  
fax: 321-727-8086  
Jim Morris  
jim@spartech-south.com

**TEQ Sales, Inc.**  
920 Davis Road, Suite 304  
Elgin, IL 60123  
847-742-3767  
fax: 847-742-3947  
Dennis Culpepper  
dculpepper@teqsales.com

**Cantec Representatives**  
8 Strathearn Ave, No. 18  
Brampton, Ontario  
Canada L6T 4L9  
905-791-5922  
fax: 905-791-7940  
Dave Batten  
cantec-ott@cantec-o.net

**Steward Technology**  
6990 Village Pkwy #206  
Dublin, CA 94568  
925-833-7978  
fax: 925-560-6522  
John Steward  
johnsteward1@msn.com

**Europe**

**Sangus OY**  
Lunkintie 21,  
90460 Oulunsalo  
Finland  
358-8-8251-100  
fax: 358-8-8251-110  
Juha Virtala  
juha.virtala@sangus.fi

**Sangus AB**  
Berghamnvgaven 68  
Box 5004  
S-165 10 Hasselby  
Sweden  
Ronny Gustafson  
468-0-380210  
fax: 468-0-3720954

**Globes Elektronik & Co.**  
Klarastrabe 12  
74072 Heilbronn  
Germany  
49-7131-7810-0  
fax: 49-7131-7810-20  
Ulrich Blievernicht  
hfwelt@globes.de

**MTI Engineering Ltd.**  
Afek Industrial Park  
Hamelacha 11  
New Industrial Area  
Rosh Hayin 48091  
Israel  
972-3-902-5555  
fax: 972-3-902-5556  
Adi Peleg  
adi\_p@mti-group.co.il

**Sirces srl**  
Via C. Boncompagni, 3B  
20139 Milano  
Italy  
3902-57404785  
fax: 3902-57409243  
Nicola Iacovino  
nicola.iacovino@sirces.it

**Asia**

**ITX Corporation**  
2-5, Kasumigaseki  
3-Chome  
Chiyoda-Ku  
Tokyo 100-6014 Japan  
81-3-4288-7073  
fax: 81-3-4288-7243  
Maekawa Ryosuke  
maekawa.ryosuke@  
itx-corp.co.jp

**Sea Union**  
9F-1, Building A, No 19-3  
San-Chung Road  
Nankang Software Park  
Taiwan, ROC  
Taipei 115  
02-2655-3989  
fax: 02-2655-3918  
Murphy Su  
murphy@seaunionweb.com.tw

**Worldwide Distribution**

**Headquarters**  
Avnet-MCS  
6321 San Ignacio Drive  
San Jose, CA 95119  
408-360-4073  
fax: 408-281-8802  
Art Herbig  
art.herbig@avnet.com

**Belgium and Luxembourg**  
BFI Optilas  
Cipalstraat  
2440 GEEL  
Belgium  
32 14 570670  
fax: 32 14 570679  
sales.be@bfiptilas.avnet.com

**United Kingdom**  
BFI Optilas  
Burnt Ash Road  
Aylesford, Kent  
England  
ME207XB  
44 1622882467  
fax: 44 1622882469  
rfsales.uk@  
bfiptilas.avnet.com

**France**  
BFI Optilas  
4 Allee du Cantal  
Evry, Cedex  
France  
33 16079 5900  
fax: 33 16079 8903  
sales.fr@  
bfiptilas.avnet.com

**Holland**  
BFI Optilas  
Chr. Huygensweg 17  
2400 AJ ALPHEN AAN DEN  
RIJN  
The Netherlands  
31 172 446060  
fax: 33 172 443414  
sales.nl@  
bfiptilas.avnet.com

**Spain**  
BFI Optilas  
C/Isobel Colbrand, 6 - 4a  
28050 Madrid  
Spain  
34 913588611  
fax: 34 913589271  
sales.es@  
bfiptilas.avnet.com

**Sales Office Headquarters**

**United States (East Coast)**  
Raytheon  
362 Lowell Street  
Andover, MA 01810  
978-684-8628  
fax: 978-684-8646  
Walter Shelmet  
wshelmet@  
rrfc.raytheon.com

**United States (West Coast)**  
Raytheon  
362 Lowell Street  
Andover, MA 01810  
978-684-8919  
fax: 978-684-8646  
Rob Sinclair  
robert\_w\_sinclair@  
rrfc.raytheon.com

**Europe**  
Raytheon  
AM Teckenberg 53  
40883 Ratingen  
Germany  
49-2102-706-155  
fax: 49-2102-706-156  
Peter Hales  
peter\_j\_hales@  
raytheon.com

**Asia**  
Raytheon  
Room 601, Gook Je Ctr. Bldg  
191 Hangang Ro 2-GA  
Yongsan-Gu, Seoul,  
Korea 140-702  
82-2-796-5797  
fax: 82-2-796-5790  
T.G. Lee  
tg\_lee@  
rrfc.raytheon.com

**Customer Support**

978-684-8900

fax: 978-684-5452

customer\_support@rrfc.raytheon.com