

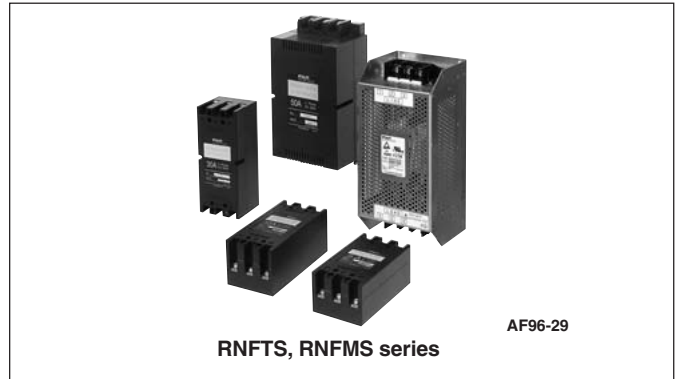
Noise Suppression Filters

RNFTS, RNFMS series

RNFTS and RNFMS series output circuit Power Filters

■ Features

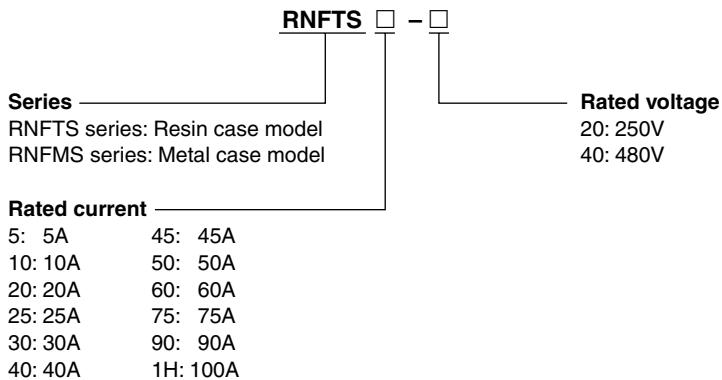
- Prevent noise emission from inverter output cables.
- Combination with an RNFTC or RNFMC or RNFHA series input circuit power filter provides high damping characteristics.
- External terminal construction equivalent to field-wiring terminal in durability.
- For resin case model RNFTS series, identical terminal configuration with FUJI's MCCB, thus simplifying wiring work.



■ Types and specifications

Type	Phase	Rated voltage(V)	Rated current (A)	Withstand voltage to grounding (V AC)	Voltage drop (V)	Operating ambient temperature (°C)					
RNFTS05-20	3-phase	250	5	2000, 1 minute	1.0 max.	-10 to +50					
RNFTS10-20			10								
RNFTS20-20			20								
RNFTS30-20			30								
RNFTS50-20			50								
RNFMS60-20			60								
RNFMS75-20			75								
RNFMS90-20			90								
RNFTS10-40			3-phase				480	10	2500, 1 minute	1.0 max.	-10 to +50
RNFTS20-40								20			
RNFTS25-40	25										
RNFTS30-40	30										
RNFTS40-40	40										
RNFTS45-40	45										
RNFMS75-40	75										
RNFMS1H-40	100										

■ Type number nomenclature

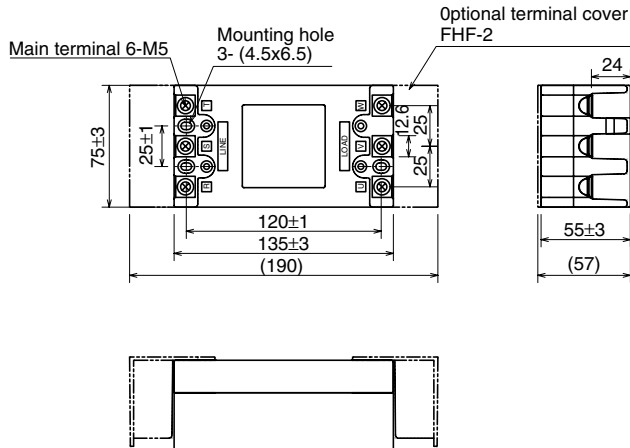


■ Ordering information

- Specify the following:
1. Type number

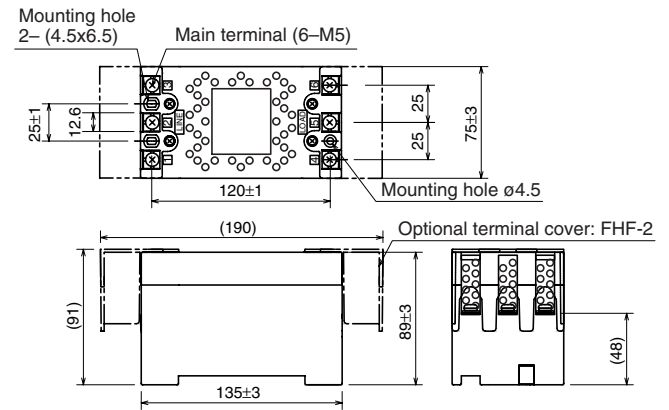
■ Dimensions, mm

RNFTS05-20, 10-20, 20-20, 10-40



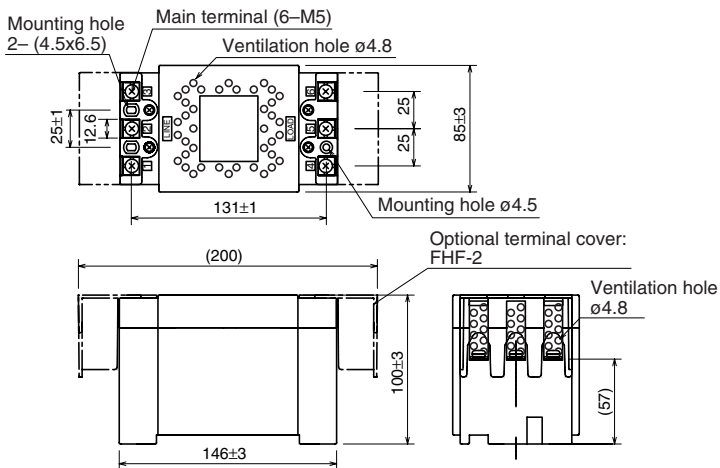
Mass:
RNFTS05-20, 10-20: 0.5kg
RNFTS20-20: 0.6kg
RNFTS10-40: 0.7kg

RNFTS30-20, 20-40



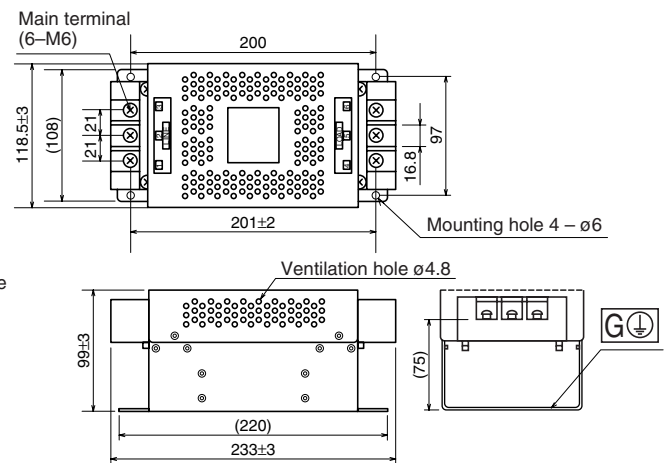
Mass:
RNFTS30-20: 0.8kg
RNFTS20-40: 1.0kg

RNFTS50-20, 25-40, 30-40, 40-40, 45-40



Mass:
RNFTS50-20: 1.6kg
RNFTS25-40, 30-40: 1.4kg
RNFTS40-40, 45-40: 1.6kg

RNFMS60-20, 75-20, 90-20, 75-40, 1H-40



Mass:
RNFMS60-20, 75-20, 90-20: 2.2kg
RNFMS75-40, 1H-40: 2.6kg