

RQA0001DNS

Silicon N-Channel MOS FET

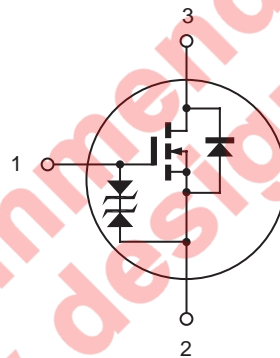
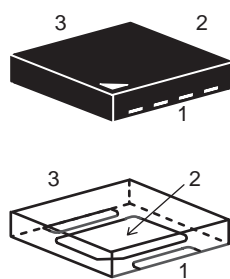
REJ03G0582-0300
Rev.3.00
Oct 11, 2006

Features

- High Output Power, High Gain, High Efficiency
Pout = +33 dBm, Linear Gain = 21 dB, PAE = 68% (f = 520 MHz)
- Small Outline Package (WSON0303-2: 3.0 × 3.0 × 0.8mm)

Outline

RENESAS Package code: PWSN0002ZA-A
(Package name: HWSN-2 <WSON0303-2>)



1. Gate
2. Source
3. Drain

Note: Marking is "A0001".

Absolute Maximum Ratings

(Ta = 25°C)

Item	Symbol	Ratings	Unit
Drain to source voltage	V _{DSS}	16	V
Gate to source voltage	V _{GSS}	±5	V
Drain current	I _D	0.8	A
Channel dissipation	P _{ch} ^{note}	5	W
Channel temperature	T _{ch}	150	°C
Storage temperature	T _{stg}	-50 to +150	°C

Note: Value at T_c = 25°C

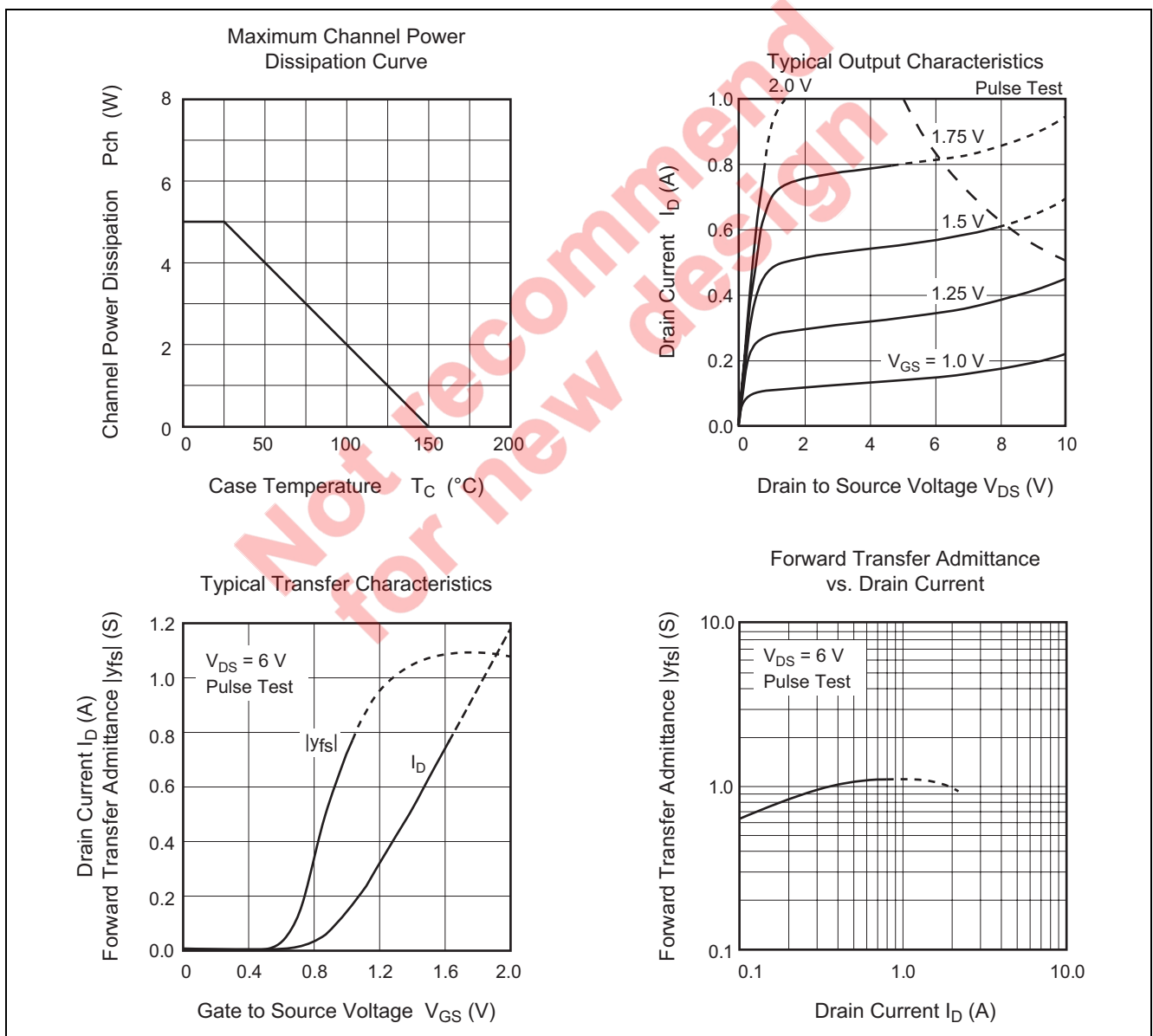
This Device is sensitive to Electro Static Discharge. An Adequate careful handling procedure is requested.

Electrical Characteristics

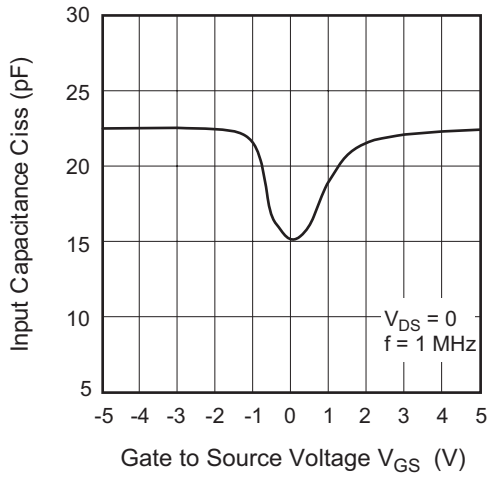
(Ta = 25°C)

Item	Symbol	Min.	Typ	Max.	Unit	Test Conditions
Zero gate voltage drain current	I_{DSS}	—	—	10	μA	$V_{DS} = 16\text{ V}$, $V_{GS} = 0$
Gate to source leakage current	I_{GSS}	—	—	± 2	μA	$V_{GS} = \pm 5\text{ V}$, $V_{DS} = 0$
Gate to source cutoff voltage	$V_{GS(off)}$	0.15	0.45	0.75	V	$V_{DS} = 6\text{ V}$, $I_D = 1\text{ mA}$
Forward Transfer Admittance	$ y_{fs} $	0.6	1.1	1.6	S	$V_{DS} = 6\text{ V}$, $I_D = 600\text{ mA}$
Input capacitance	C_{iss}	—	22	—	pF	$V_{GS} = 5\text{ V}$, $V_{DS} = 0$, $f = 1\text{ MHz}$
Output capacitance	C_{oss}	—	12	—	pF	$V_{DS} = 6\text{ V}$, $V_{GS} = 0$, $f = 1\text{ MHz}$
Reverse transfer capacitance	C_{rss}	—	2.6	—	pF	$V_{DG} = 6\text{ V}$, $V_{GS} = 0$, $f = 1\text{ MHz}$
Output Power	Pout	32	33	—	dBm	$V_{DS} = 6\text{ V}$, $I_{DQ} = 200\text{ mA}$
		1.58	2	—	W	$f = 520\text{ MHz}$,
Power Added Efficiency	PAE	55	68	—	%	Pin = +20 dBm (100 mW)

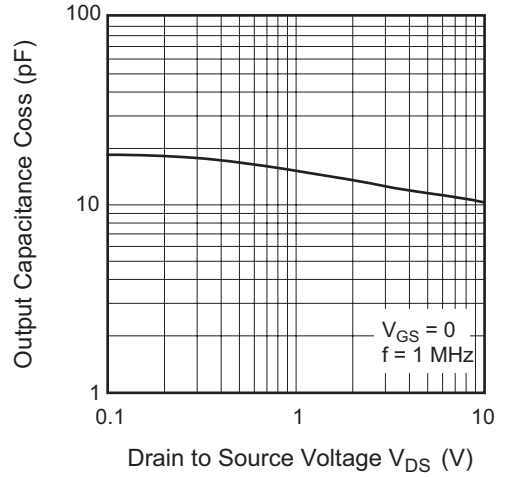
Main Characteristics



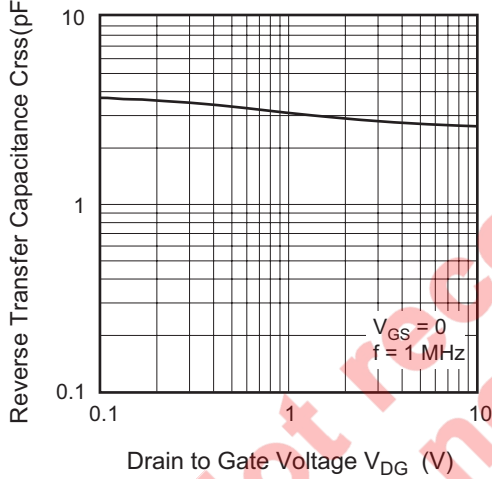
Input Capacitance vs. Gate to Source Voltage



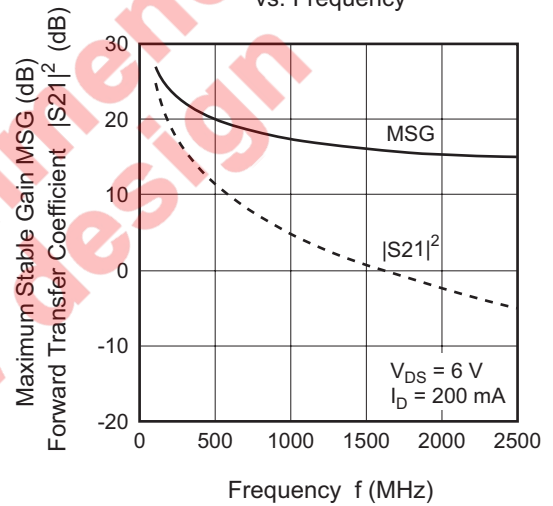
Output Capacitance vs. Drain to Source Voltage



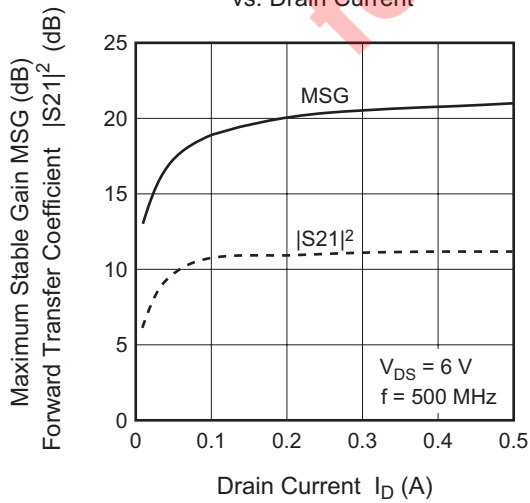
Reverse Transfer Capacitance vs. Drain to Gate Voltage



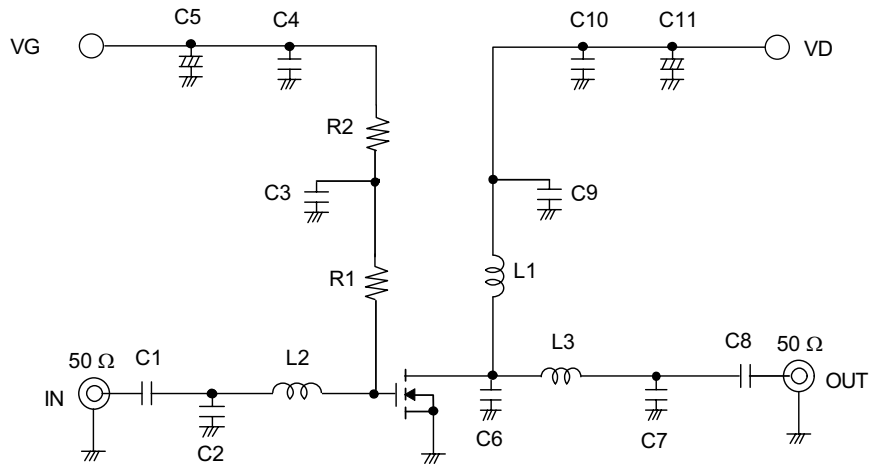
Maximum Stable Gain, $|S_{21}|^2$ vs. Frequency



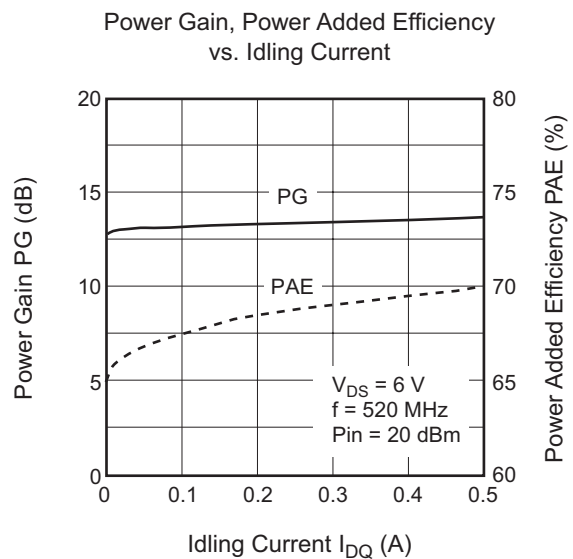
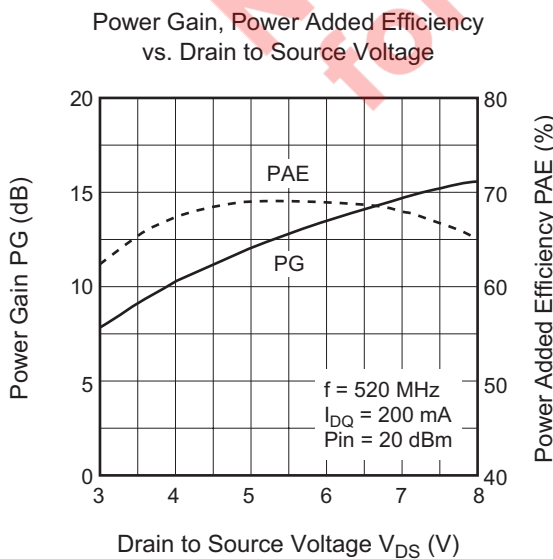
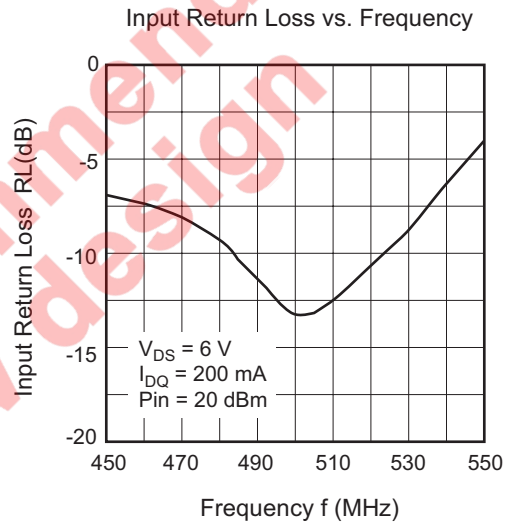
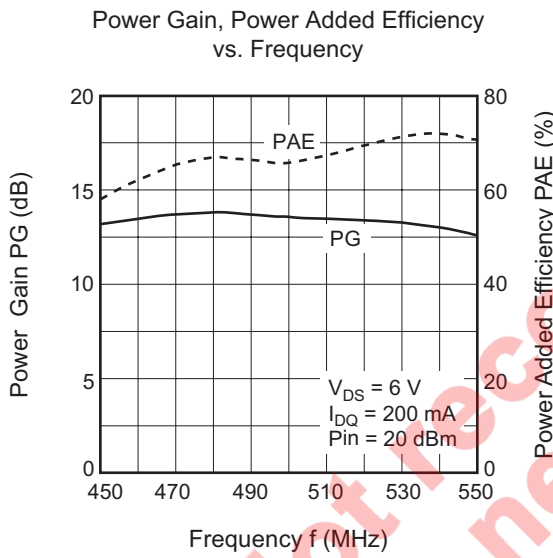
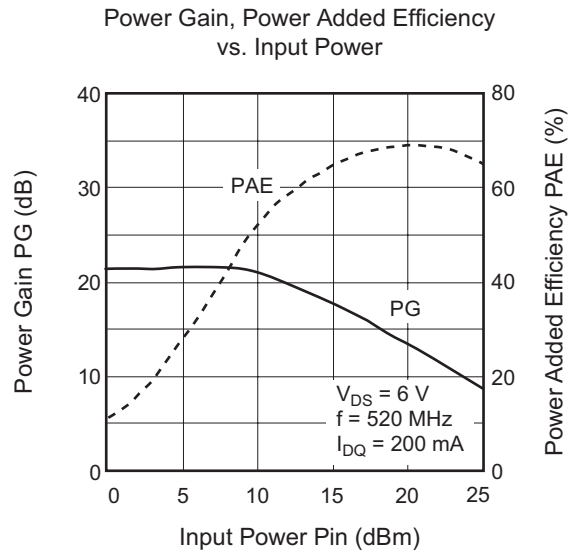
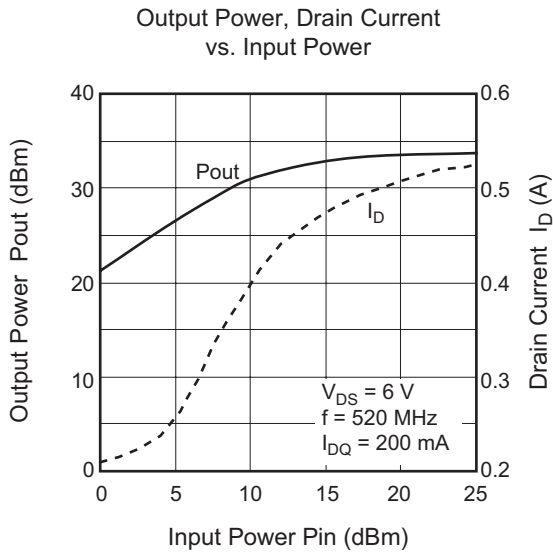
Maximum Stable Gain, $|S_{21}|^2$ vs. Drain Current



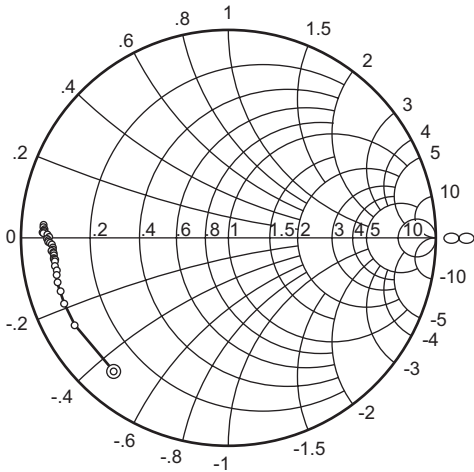
Evaluation Circuit (f = 520 MHz)



- C1, C8: 68 pF Chip Capacitor
 C2: 15 pF Chip Capacitor
 C3, C9: 100 pF Chip Capacitor
 C4, C10: 1000 pF Chip Capacitor
 C5, C11 : 2.2 μ F Electrolysis Capacitor
 C6: 4 pF Chip Capacitor
 C7: 12 pF Chip Capacitor
 L1: 8 Turns D: 0.5 mm, ϕ 2.4 mm Enamel Wire
 L2: 4.7 nH Chip Inductor
 L3: 3.6 nH Chip Inductor
 R1: 33 Ω Chip Resistor
 R2: 2.7 k Ω Chip Resistor

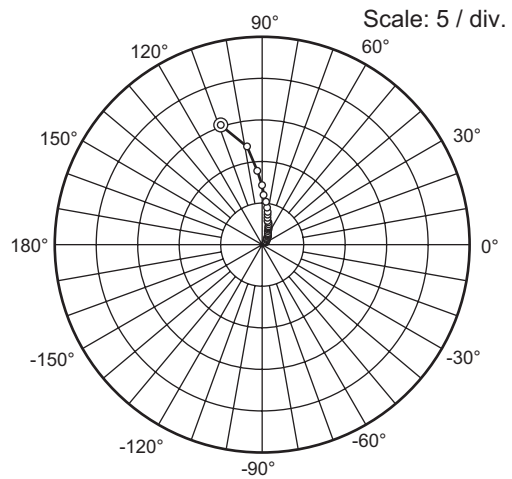


S₁₁ Parameter vs. Frequency



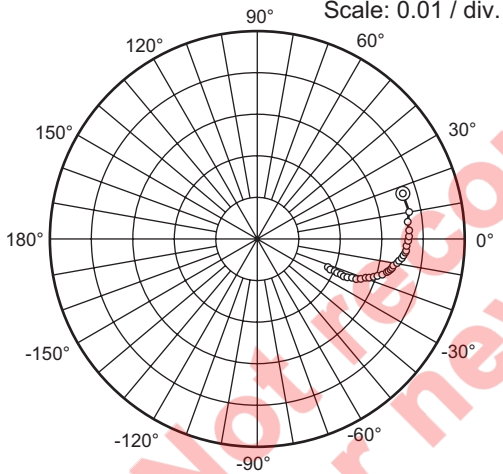
Condition: $V_{DS} = 6V$, $I_{DQ} = 200\text{ mA}$, $Z_o = 50\ \Omega$
 100 to 1000 MHz (50 MHz Step)
 1000 to 2500 MHz (200 MHz Step)

S₂₁ Parameter vs. Frequency



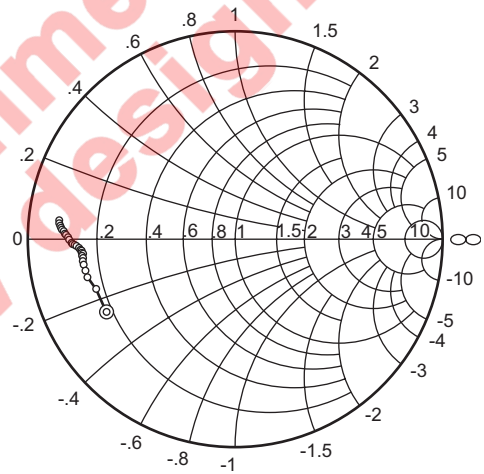
Condition: $V_{DS} = 6V$, $I_{DQ} = 200\text{ mA}$, $Z_o = 50\ \Omega$
 100 to 1000 MHz (50 MHz Step)
 1000 to 2500 MHz (200 MHz Step)

S₁₂ Parameter vs. Frequency



Condition: $V_{DS} = 6V$, $I_{DQ} = 200\text{ mA}$, $Z_o = 50\ \Omega$
 100 to 1000 MHz (50 MHz Step)
 1000 to 2500 MHz (200 MHz Step)

S₂₂ Parameter vs. Frequency



Condition: $V_{DS} = 6V$, $I_{DQ} = 200\text{ mA}$, $Z_o = 50\ \Omega$
 100 to 1000 MHz (50 MHz Step)
 1000 to 2500 MHz (200 MHz Step)

S parameter

(V_{DS} = 6 V, I_{DQ} = 50 mA, Z_o = 50 Ω)

f (MHz)	S11		S21		S12		S22	
	MAG	ANG (deg.)	MAG	ANG (deg.)	MAG	ANG (deg.)	MAG	ANG (deg.)
100	0.823	-115.4	12.90	113.1	0.056	20.6	0.664	-128.9
150	0.809	-136.7	10.15	102.5	0.058	11.1	0.648	-144.3
200	0.805	-148.3	7.75	94.5	0.058	5.8	0.662	-152.3
250	0.798	-154.5	6.30	89.3	0.058	1.2	0.665	-156.8
300	0.797	-158.5	5.28	85.2	0.058	-2.0	0.666	-159.8
350	0.796	-161.4	4.51	81.6	0.058	-4.9	0.668	-162.1
400	0.795	-163.5	3.93	78.6	0.057	-7.6	0.671	-163.7
450	0.797	-165.0	3.47	75.7	0.057	-10.0	0.676	-164.8
500	0.800	-166.5	3.11	73.0	0.056	-12.3	0.678	-165.7
550	0.803	-167.5	2.79	70.6	0.055	-14.3	0.682	-166.5
600	0.808	-168.3	2.53	68.2	0.054	-16.1	0.688	-166.9
650	0.809	-169.0	2.31	66.0	0.053	-17.8	0.691	-167.5
700	0.813	-169.6	2.11	63.8	0.053	-19.4	0.694	-167.9
750	0.815	-170.1	1.94	61.7	0.052	-21.0	0.702	-168.1
800	0.817	-170.5	1.80	59.8	0.051	-22.5	0.707	-168.4
850	0.822	-170.9	1.67	57.8	0.050	-23.7	0.713	-168.6
900	0.826	-171.5	1.56	55.8	0.049	-24.9	0.720	-169.0
950	0.828	-171.8	1.46	54.1	0.048	-26.3	0.727	-169.2
1000	0.828	-172.1	1.37	52.4	0.047	-27.5	0.734	-169.5
1050	0.831	-172.8	1.29	50.4	0.046	-28.7	0.741	-169.9
1100	0.834	-173.4	1.22	48.9	0.045	-29.9	0.750	-170.2
1150	0.839	-173.9	1.16	47.2	0.044	-31.1	0.758	-170.6
1200	0.847	-174.1	1.10	45.9	0.043	-32.1	0.765	-171.0
1250	0.856	-174.2	1.05	44.5	0.042	-33.1	0.773	-171.4
1300	0.857	-174.4	0.99	42.9	0.041	-33.9	0.780	-171.8
1350	0.859	-174.6	0.94	41.3	0.041	-35.0	0.787	-172.2
1400	0.859	-175.0	0.90	39.9	0.039	-35.9	0.793	-172.6
1450	0.863	-175.3	0.85	38.1	0.039	-36.7	0.799	-173.0
1500	0.867	-175.7	0.82	36.7	0.038	-37.5	0.804	-173.5
1550	0.868	-175.8	0.78	35.3	0.037	-38.3	0.809	-174.0
1600	0.871	-176.1	0.74	34.0	0.036	-39.1	0.814	-174.4
1650	0.870	-176.5	0.71	32.5	0.035	-39.8	0.819	-175.0
1700	0.868	-176.9	0.68	31.1	0.034	-40.6	0.823	-175.5
1750	0.869	-177.4	0.65	29.6	0.033	-41.3	0.827	-176.1
1800	0.876	-178.0	0.63	28.3	0.032	-41.6	0.832	-176.6
1850	0.884	-178.5	0.60	27.1	0.032	-42.2	0.836	-177.0
1900	0.892	-178.8	0.58	26.1	0.031	-42.8	0.839	-177.5
1950	0.898	-178.7	0.56	25.2	0.030	-43.4	0.844	-178.1
2000	0.903	-178.7	0.54	24.1	0.029	-43.7	0.850	-178.5
2050	0.903	-178.5	0.52	23.3	0.028	-44.0	0.852	-178.8
2100	0.900	-178.7	0.50	22.2	0.027	-44.4	0.856	-179.3
2150	0.899	-178.9	0.48	21.3	0.027	-44.7	0.862	-179.7
2200	0.897	-179.4	0.46	20.2	0.026	-44.8	0.865	180.0
2250	0.897	-179.8	0.45	19.3	0.025	-45.3	0.867	179.5
2300	0.897	179.7	0.43	18.4	0.024	-45.3	0.871	178.9
2350	0.901	179.5	0.42	17.2	0.024	-45.5	0.877	178.6
2400	0.904	179.1	0.41	16.3	0.023	-45.4	0.877	178.2
2450	0.903	178.9	0.39	15.5	0.022	-45.6	0.878	177.7
2500	0.906	178.4	0.38	14.4	0.022	-45.8	0.881	177.2

S parameter

 $(V_{DS} = 6\text{ V}, I_{DQ} = 100\text{ mA}, Z_o = 50\ \Omega)$

f (MHz)	S11		S21		S12		S22	
	MAG	ANG (deg.)	MAG	ANG (deg.)	MAG	ANG (deg.)	MAG	ANG (deg.)
100	0.850	-121.5	14.14	112.6	0.044	17.8	0.690	-142.4
150	0.835	-146.3	11.33	99.7	0.045	10.0	0.687	-154.5
200	0.830	-154.9	8.50	93.6	0.045	5.7	0.705	-160.7
250	0.831	-160.2	6.88	89.5	0.045	2.0	0.709	-164.2
300	0.827	-163.4	5.76	86.0	0.045	-0.6	0.710	-166.5
350	0.823	-165.8	4.91	83.1	0.045	-2.7	0.712	-168.3
400	0.822	-167.5	4.28	80.7	0.044	-4.9	0.713	-169.5
450	0.823	-169.0	3.79	78.2	0.044	-6.9	0.715	-170.5
500	0.825	-170.2	3.40	75.9	0.044	-8.5	0.714	-171.2
550	0.827	-171.0	3.07	74.1	0.043	-10.1	0.716	-171.9
600	0.826	-171.6	2.78	72.1	0.043	-11.3	0.719	-172.2
650	0.834	-172.3	2.56	70.1	0.042	-12.6	0.720	-172.6
700	0.829	-173.0	2.35	68.2	0.041	-13.9	0.721	-173.0
750	0.830	-173.4	2.17	66.5	0.041	-15.1	0.726	-173.2
800	0.832	-173.7	2.02	64.7	0.040	-16.1	0.729	-173.3
850	0.836	-174.0	1.88	62.9	0.040	-17.0	0.731	-173.5
900	0.837	-174.5	1.76	61.2	0.039	-18.0	0.737	-173.8
950	0.836	-174.8	1.66	59.6	0.039	-19.2	0.742	-173.9
1000	0.838	-175.0	1.57	58.1	0.038	-20.1	0.745	-174.1
1050	0.839	-175.5	1.48	56.3	0.038	-21.0	0.750	-174.4
1100	0.841	-176.2	1.41	54.8	0.037	-22.0	0.756	-174.6
1150	0.846	-176.5	1.34	53.5	0.037	-22.9	0.762	-174.8
1200	0.851	-176.6	1.27	52.1	0.036	-23.6	0.766	-175.1
1250	0.856	-176.7	1.21	51.0	0.035	-24.4	0.773	-175.5
1300	0.858	-176.9	1.15	49.4	0.035	-25.1	0.777	-175.6
1350	0.859	-176.8	1.10	48.1	0.034	-25.9	0.782	-176.0
1400	0.860	-177.3	1.05	46.6	0.033	-26.7	0.787	-176.2
1450	0.864	-177.5	1.00	45.0	0.033	-27.3	0.790	-176.4
1500	0.866	-177.8	0.96	43.7	0.032	-27.9	0.795	-176.8
1550	0.868	-178.0	0.92	42.4	0.031	-28.5	0.799	-177.2
1600	0.867	-178.1	0.88	41.0	0.031	-29.0	0.803	-177.5
1650	0.867	-178.5	0.84	39.7	0.030	-29.7	0.808	-177.9
1700	0.863	-178.9	0.81	38.3	0.030	-30.2	0.810	-178.3
1750	0.865	-179.2	0.78	37.0	0.029	-30.8	0.815	-178.8
1800	0.871	-179.9	0.75	35.6	0.028	-30.8	0.818	-179.2
1850	0.880	179.7	0.73	34.4	0.028	-31.4	0.822	-179.5
1900	0.885	179.6	0.70	33.3	0.027	-31.8	0.824	-180.0
1950	0.893	179.6	0.68	32.4	0.026	-32.2	0.829	179.6
2000	0.900	179.7	0.66	31.4	0.026	-32.2	0.833	179.3
2050	0.897	179.8	0.63	30.5	0.025	-32.5	0.836	179.1
2100	0.893	179.7	0.61	29.5	0.024	-32.8	0.839	178.7
2150	0.893	179.6	0.59	28.5	0.024	-32.8	0.845	178.3
2200	0.891	179.2	0.57	27.7	0.023	-32.7	0.847	178.1
2250	0.890	178.9	0.55	26.6	0.023	-33.1	0.851	177.7
2300	0.890	178.5	0.53	25.5	0.022	-33.0	0.854	177.2
2350	0.894	178.2	0.52	24.5	0.022	-33.1	0.859	176.9
2400	0.895	177.8	0.50	23.4	0.021	-32.7	0.860	176.5
2450	0.895	177.7	0.49	22.6	0.021	-33.0	0.861	176.1
2500	0.896	177.2	0.47	21.7	0.020	-32.9	0.862	175.6

S parameter

(V_{DS} = 6 V, I_{DQ} = 200 mA, Z_o = 50 Ω)

f (MHz)	S11		S21		S12		S22	
	MAG	ANG (deg.)	MAG	ANG (deg.)	MAG	ANG (deg.)	MAG	ANG (deg.)
100	0.847	-130.3	15.20	108.9	0.037	17.2	0.713	-150.4
150	0.856	-150.5	11.84	98.7	0.037	10.0	0.714	-160.3
200	0.855	-158.2	8.83	93.3	0.037	6.2	0.734	-165.2
250	0.850	-162.5	7.13	89.9	0.037	3.0	0.738	-168.1
300	0.850	-165.4	5.97	86.8	0.037	0.6	0.740	-170.1
350	0.848	-167.8	5.12	84.1	0.037	-1.2	0.741	-171.8
400	0.845	-169.5	4.45	82.0	0.036	-3.0	0.741	-172.6
450	0.849	-170.9	3.95	79.8	0.036	-4.6	0.742	-173.5
500	0.846	-172.2	3.55	77.6	0.036	-5.7	0.740	-174.2
550	0.846	-172.9	3.20	76.0	0.035	-6.9	0.742	-174.8
600	0.847	-173.3	2.92	74.4	0.035	-7.9	0.743	-175.0
650	0.849	-174.1	2.68	72.6	0.035	-9.1	0.743	-175.5
700	0.849	-174.7	2.47	70.9	0.034	-10.0	0.744	-175.8
750	0.848	-175.1	2.28	69.4	0.034	-11.0	0.746	-175.8
800	0.850	-175.2	2.13	68.1	0.034	-11.7	0.749	-176.0
850	0.854	-175.7	2.00	66.3	0.033	-12.5	0.750	-176.2
900	0.851	-176.2	1.87	64.6	0.033	-13.1	0.754	-176.5
950	0.849	-176.6	1.76	63.2	0.033	-13.9	0.758	-176.6
1000	0.851	-176.7	1.67	61.7	0.032	-14.7	0.761	-176.8
1050	0.852	-177.2	1.58	60.1	0.032	-15.3	0.763	-177.0
1100	0.852	-177.8	1.50	58.7	0.031	-16.2	0.768	-177.3
1150	0.860	-177.9	1.44	57.6	0.031	-16.9	0.772	-177.5
1200	0.861	-178.2	1.37	56.4	0.030	-17.3	0.775	-177.6
1250	0.868	-178.3	1.31	55.1	0.030	-18.0	0.780	-178.0
1300	0.867	-178.5	1.25	53.8	0.030	-18.4	0.783	-178.1
1350	0.867	-178.5	1.19	52.4	0.029	-19.0	0.787	-178.4
1400	0.870	-178.8	1.14	50.9	0.029	-19.6	0.790	-178.5
1450	0.868	-179.1	1.09	49.4	0.028	-20.1	0.793	-178.7
1500	0.872	-179.3	1.05	48.3	0.028	-20.2	0.797	-179.1
1550	0.872	-179.4	1.01	46.9	0.027	-20.8	0.799	-179.4
1600	0.873	-179.5	0.97	45.8	0.027	-21.2	0.803	-179.7
1650	0.869	-179.8	0.93	44.4	0.026	-21.7	0.807	180.0
1700	0.867	179.9	0.89	43.2	0.026	-22.0	0.809	179.6
1750	0.869	179.4	0.86	41.8	0.025	-22.4	0.812	179.2
1800	0.874	178.9	0.83	40.6	0.025	-22.4	0.815	178.8
1850	0.881	178.5	0.81	39.4	0.024	-22.6	0.817	178.6
1900	0.887	178.3	0.78	38.5	0.024	-22.8	0.819	178.3
1950	0.895	178.4	0.75	37.5	0.023	-22.9	0.823	177.9
2000	0.898	178.5	0.73	36.5	0.023	-23.1	0.828	177.6
2050	0.897	178.5	0.70	35.4	0.022	-22.8	0.830	177.4
2100	0.894	178.6	0.68	34.6	0.022	-23.2	0.833	177.0
2150	0.892	178.5	0.66	33.8	0.022	-23.0	0.838	176.7
2200	0.894	178.2	0.64	32.9	0.021	-23.1	0.840	176.6
2250	0.892	177.7	0.62	31.8	0.021	-23.1	0.844	176.2
2300	0.891	177.4	0.60	30.8	0.020	-22.7	0.846	175.8
2350	0.892	177.1	0.58	29.7	0.020	-22.7	0.851	175.5
2400	0.895	176.7	0.57	28.4	0.019	-22.2	0.851	175.1
2450	0.895	176.5	0.55	27.7	0.019	-22.1	0.852	174.8
2500	0.895	176.2	0.54	26.8	0.019	-21.9	0.854	174.3

S parameter

 $(V_{DS} = 6\text{ V}, I_{DQ} = 300\text{ mA}, Z_o = 50\ \Omega)$

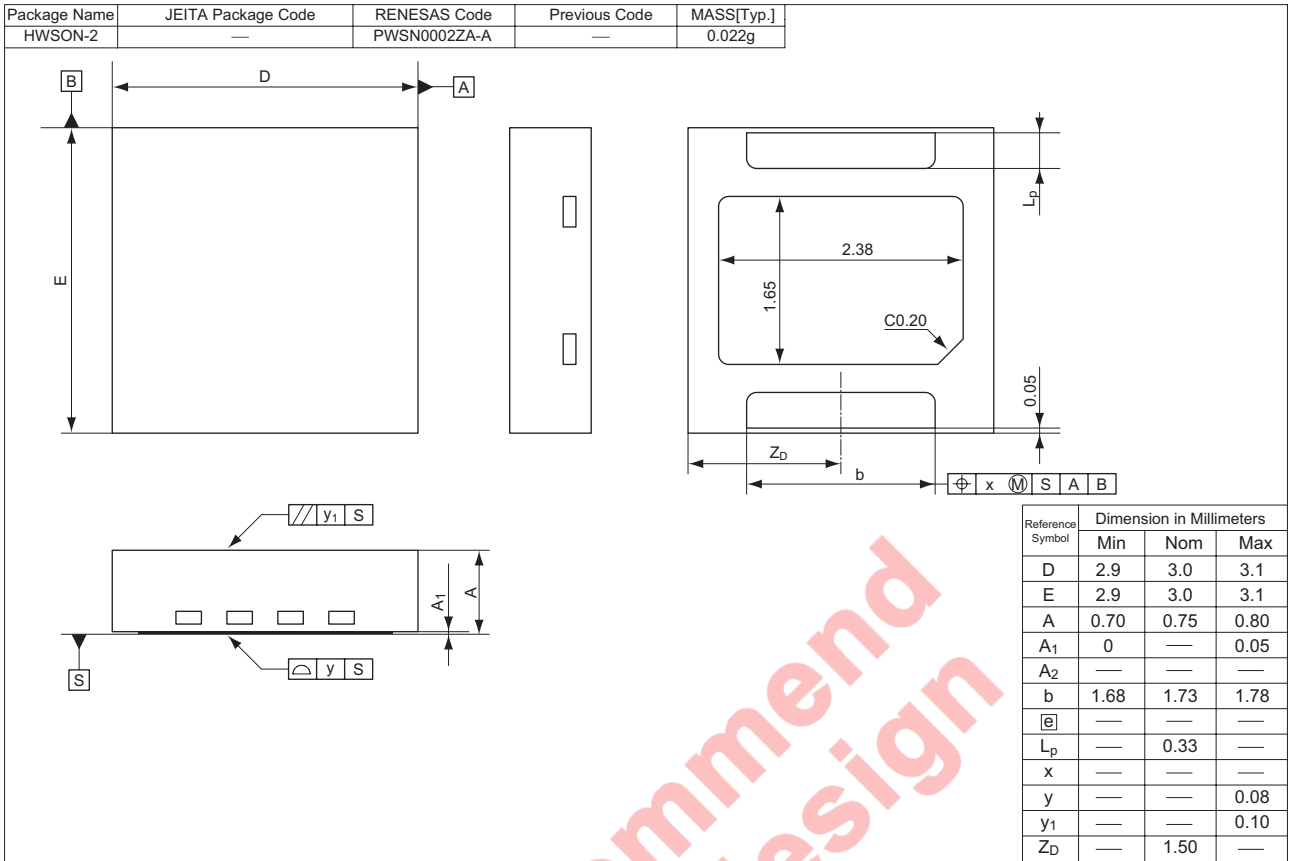
f (MHz)	S11		S21		S12		S22	
	MAG	ANG (deg.)	MAG	ANG (deg.)	MAG	ANG (deg.)	MAG	ANG (deg.)
100	0.864	-131.1	15.08	109.1	0.034	17.0	0.720	-153.1
150	0.869	-150.3	11.79	99.0	0.034	9.4	0.723	-162.2
200	0.868	-158.2	8.84	93.9	0.034	6.6	0.745	-166.8
250	0.865	-163.1	7.16	90.1	0.034	3.1	0.751	-169.3
300	0.862	-166.0	6.00	87.2	0.034	1.6	0.750	-171.1
350	0.857	-168.3	5.13	84.8	0.034	-0.9	0.749	-172.7
400	0.853	-169.7	4.47	82.6	0.034	-2.1	0.751	-173.6
450	0.854	-171.3	3.98	80.6	0.033	-3.7	0.751	-174.4
500	0.855	-172.4	3.58	78.5	0.033	-4.9	0.749	-175.1
550	0.853	-173.5	3.24	76.8	0.033	-6.1	0.748	-175.6
600	0.854	-173.9	2.95	75.3	0.033	-7.0	0.751	-175.8
650	0.857	-174.3	2.73	73.8	0.032	-7.8	0.750	-176.1
700	0.855	-175.1	2.51	71.9	0.032	-8.3	0.752	-176.5
750	0.853	-175.3	2.32	70.4	0.032	-9.6	0.754	-176.6
800	0.856	-175.7	2.17	68.8	0.031	-10.1	0.756	-176.8
850	0.857	-176.2	2.03	67.3	0.031	-10.7	0.758	-176.9
900	0.858	-176.6	1.91	65.7	0.031	-11.1	0.760	-177.2
950	0.856	-176.7	1.80	64.5	0.030	-12.2	0.764	-177.4
1000	0.857	-177.2	1.70	62.7	0.030	-12.6	0.766	-177.4
1050	0.857	-177.6	1.61	61.2	0.030	-13.1	0.769	-177.8
1100	0.858	-178.4	1.53	59.8	0.029	-14.1	0.773	-178.0
1150	0.864	-178.5	1.47	58.7	0.029	-14.8	0.778	-178.3
1200	0.868	-178.6	1.40	57.5	0.028	-14.9	0.780	-178.4
1250	0.871	-179.0	1.34	56.2	0.028	-15.6	0.784	-178.8
1300	0.872	-178.9	1.27	55.0	0.028	-15.8	0.787	-178.9
1350	0.872	-179.0	1.21	53.7	0.027	-16.4	0.790	-179.1
1400	0.872	-179.2	1.16	52.2	0.027	-16.8	0.793	-179.3
1450	0.875	-179.7	1.12	50.8	0.027	-17.3	0.796	-179.5
1500	0.876	-179.8	1.07	49.6	0.026	-17.4	0.799	-179.8
1550	0.876	-179.8	1.03	48.4	0.026	-17.9	0.802	179.9
1600	0.874	-179.9	0.99	47.4	0.025	-18.1	0.805	179.6
1650	0.875	179.8	0.95	45.9	0.025	-18.7	0.808	179.2
1700	0.872	179.4	0.91	44.5	0.025	-18.9	0.810	178.9
1750	0.873	179.0	0.88	43.3	0.024	-19.1	0.813	178.5
1800	0.878	178.3	0.85	42.0	0.024	-19.0	0.816	178.1
1850	0.884	178.1	0.83	40.9	0.023	-19.2	0.818	177.9
1900	0.890	177.9	0.80	39.9	0.023	-19.3	0.820	177.6
1950	0.898	178.0	0.78	38.9	0.022	-19.6	0.824	177.2
2000	0.903	178.0	0.75	38.0	0.022	-19.6	0.827	177.0
2050	0.897	178.3	0.73	37.3	0.021	-19.4	0.830	176.7
2100	0.896	178.2	0.70	36.1	0.021	-19.5	0.833	176.5
2150	0.894	178.0	0.68	35.3	0.021	-19.2	0.838	176.1
2200	0.896	177.7	0.66	34.3	0.020	-19.1	0.840	176.1
2250	0.891	177.3	0.64	33.2	0.020	-19.3	0.842	175.6
2300	0.892	177.0	0.62	32.3	0.020	-18.8	0.845	175.1
2350	0.894	176.7	0.60	31.2	0.019	-18.7	0.849	175.0
2400	0.896	176.3	0.59	30.3	0.019	-17.9	0.849	174.7
2450	0.897	176.4	0.57	29.2	0.018	-17.9	0.850	174.3
2500	0.897	175.9	0.55	28.4	0.018	-17.5	0.853	173.8

S parameter

 $(V_{DS} = 6 \text{ V}, I_{DQ} = 400 \text{ mA}, Z_o = 50 \Omega)$

f (MHz)	S11		S21		S12		S22	
	MAG	ANG (deg.)	MAG	ANG (deg.)	MAG	ANG (deg.)	MAG	ANG (deg.)
100	0.899	-128.3	14.60	110.0	0.033	16.5	0.721	-154.3
150	0.877	-149.7	11.59	99.4	0.033	9.7	0.726	-163.0
200	0.874	-157.9	8.76	94.3	0.033	6.7	0.749	-167.2
250	0.867	-162.7	7.11	90.4	0.033	3.7	0.753	-169.7
300	0.866	-166.0	5.97	87.4	0.033	1.4	0.754	-171.5
350	0.860	-168.2	5.11	85.0	0.032	-0.2	0.754	-172.9
400	0.859	-170.0	4.47	82.8	0.032	-1.9	0.755	-173.7
450	0.857	-171.3	3.97	80.8	0.032	-3.1	0.756	-174.4
500	0.861	-172.6	3.58	78.9	0.032	-4.3	0.754	-175.0
550	0.860	-173.4	3.24	77.2	0.032	-5.3	0.757	-175.4
600	0.860	-173.8	2.96	75.6	0.031	-6.2	0.757	-175.8
650	0.861	-174.5	2.72	74.1	0.031	-6.9	0.758	-176.1
700	0.862	-175.1	2.51	72.3	0.031	-7.7	0.761	-176.4
750	0.860	-175.5	2.33	70.7	0.031	-8.6	0.761	-176.6
800	0.860	-175.7	2.17	69.2	0.030	-9.3	0.764	-176.8
850	0.861	-176.2	2.03	67.6	0.030	-9.9	0.767	-177.1
900	0.862	-176.7	1.92	66.0	0.030	-10.4	0.769	-177.3
950	0.861	-177.2	1.80	64.5	0.029	-11.3	0.772	-177.5
1000	0.861	-177.3	1.71	62.9	0.029	-12.0	0.775	-177.6
1050	0.858	-177.8	1.62	61.4	0.029	-12.5	0.777	-178.0
1100	0.862	-178.4	1.54	60.0	0.028	-13.2	0.780	-178.4
1150	0.866	-178.8	1.47	58.7	0.028	-13.7	0.783	-178.5
1200	0.871	-178.8	1.40	57.6	0.028	-14.3	0.784	-178.8
1250	0.876	-178.9	1.34	56.5	0.027	-14.7	0.789	-179.1
1300	0.875	-179.1	1.28	55.2	0.027	-15.1	0.790	-179.2
1350	0.874	-179.1	1.22	53.8	0.027	-15.5	0.794	-179.4
1400	0.876	-179.5	1.17	52.5	0.026	-15.9	0.796	-179.6
1450	0.878	-179.7	1.12	51.1	0.026	-16.2	0.798	-179.8
1500	0.878	180.0	1.08	49.7	0.025	-16.6	0.801	179.9
1550	0.880	-179.9	1.03	48.6	0.025	-16.7	0.803	179.6
1600	0.879	179.9	0.99	47.4	0.024	-17.0	0.805	179.3
1650	0.878	179.7	0.95	46.1	0.024	-17.6	0.808	179.0
1700	0.873	179.2	0.91	44.9	0.024	-17.6	0.810	178.7
1750	0.875	178.8	0.88	43.4	0.023	-17.9	0.813	178.3
1800	0.885	178.3	0.86	42.4	0.023	-17.7	0.817	177.9
1850	0.888	177.8	0.83	41.1	0.022	-17.9	0.818	177.7
1900	0.895	177.8	0.80	40.2	0.022	-18.0	0.819	177.4
1950	0.900	177.9	0.78	39.2	0.022	-18.0	0.824	177.0
2000	0.901	177.8	0.75	38.2	0.021	-17.9	0.828	176.8
2050	0.903	178.1	0.73	37.3	0.021	-17.8	0.829	176.6
2100	0.899	178.0	0.70	36.4	0.020	-17.7	0.833	176.2
2150	0.896	177.7	0.68	35.5	0.020	-17.4	0.838	175.9
2200	0.895	177.5	0.66	34.6	0.020	-17.6	0.840	175.7
2250	0.893	177.3	0.64	33.6	0.019	-17.4	0.842	175.4
2300	0.893	176.7	0.62	32.4	0.019	-16.9	0.845	175.0
2350	0.896	176.7	0.61	31.6	0.019	-16.6	0.849	174.8
2400	0.899	176.2	0.59	30.7	0.018	-15.9	0.849	174.4
2450	0.899	176.2	0.57	29.7	0.018	-16.0	0.850	174.1
2500	0.899	175.7	0.56	28.6	0.018	-15.5	0.852	173.7

Package Dimensions



Ordering Information

Part Name	Quantity	Shipping Container
RQA0001DNSTR-E	2000 pcs.	φ178 mm Reel, 12 mm Emboss Taping

Not recommended for new design

Notes:

1. This document is provided for reference purposes only so that Renesas customers may select the appropriate Renesas products for their use. Renesas neither makes warranties or representations with respect to the accuracy or completeness of the information contained in this document nor grants any license to any intellectual property rights or any other rights of Renesas or any third party with respect to the information in this document.
2. Renesas shall have no liability for damages or infringement of any intellectual property or other rights arising out of the use of any information in this document, including, but not limited to, product data, diagrams, charts, programs, algorithms, and application circuit examples.
3. You should not use the products or the technology described in this document for the purpose of military applications such as the development of weapons of mass destruction or for the purpose of any other military use. When exporting the products or technology described herein, you should follow the applicable export control laws and regulations, and procedures required by such laws and regulations.
4. All information included in this document such as product data, diagrams, charts, programs, algorithms, and application circuit examples, is current as of the date this document is issued. Such information, however, is subject to change without any prior notice. Before purchasing or using any Renesas products listed in this document, please confirm the latest product information with a Renesas sales office. Also, please pay regular and careful attention to additional and different information to be disclosed by Renesas such as that disclosed through our website. (<http://www.renesas.com>)
5. Renesas has used reasonable care in compiling the information included in this document, but Renesas assumes no liability whatsoever for any damages incurred as a result of errors or omissions in the information included in this document.
6. When using or otherwise relying on the information in this document, you should evaluate the information in light of the total system before deciding about the applicability of such information to the intended application. Renesas makes no representations, warranties or guarantees regarding the suitability of its products for any particular application and specifically disclaims any liability arising out of the application and use of the information in this document or Renesas products.
7. With the exception of products specified by Renesas as suitable for automobile applications, Renesas products are not designed, manufactured or tested for applications or otherwise in systems the failure or malfunction of which may cause a direct threat to human life or create a risk of human injury or which require especially high quality and reliability such as safety systems, or equipment or systems for transportation and traffic, healthcare, combustion control, aerospace and aeronautics, nuclear power, or undersea communication transmission. If you are considering the use of our products for such purposes, please contact a Renesas sales office beforehand. Renesas shall have no liability for damages arising out of the uses set forth above.
8. Notwithstanding the preceding paragraph, you should not use Renesas products for the purposes listed below:
 - (1) artificial life support devices or systems
 - (2) surgical implantations
 - (3) healthcare intervention (e.g., excision, administration of medication, etc.)
 - (4) any other purposes that pose a direct threat to human lifeRenesas shall have no liability for damages arising out of the uses set forth in the above and purchasers who elect to use Renesas products in any of the foregoing applications shall indemnify and hold harmless Renesas Technology Corp., its affiliated companies and their officers, directors, and employees against any and all damages arising out of such applications.
9. You should use the products described herein within the range specified by Renesas, especially with respect to the maximum rating, operating supply voltage range, movement power voltage range, heat radiation characteristics, installation and other product characteristics. Renesas shall have no liability for malfunctions or damages arising out of the use of Renesas products beyond such specified ranges.
10. Although Renesas endeavors to improve the quality and reliability of its products, IC products have specific characteristics such as the occurrence of failure at a certain rate and malfunctions under certain use conditions. Please be sure to implement safety measures to guard against the possibility of physical injury, and injury or damage caused by fire in the event of the failure of a Renesas product, such as safety design for hardware and software including but not limited to redundancy, fire control and malfunction prevention, appropriate treatment for aging degradation or any other applicable measures. Among others, since the evaluation of microcomputer software alone is very difficult, please evaluate the safety of the final products or system manufactured by you.
11. In case Renesas products listed in this document are detached from the products to which the Renesas products are attached or affixed, the risk of accident such as swallowing by infants and small children is very high. You should implement safety measures so that Renesas products may not be easily detached from your products. Renesas shall have no liability for damages arising out of such detachment.
12. This document may not be reproduced or duplicated, in any form, in whole or in part, without prior written approval from Renesas.
13. Please contact a Renesas sales office if you have any questions regarding the information contained in this document, Renesas semiconductor products, or if you have any other inquiries.



RENESAS SALES OFFICES

<http://www.renesas.com>

Refer to "<http://www.renesas.com/en/network>" for the latest and detailed information.

Renesas Technology America, Inc.
450 Holger Way, San Jose, CA 95134-1368, U.S.A
Tel: <1> (408) 382-7500, Fax: <1> (408) 382-7501

Renesas Technology Europe Limited
Dukes Meadow, Millboard Road, Bourne End, Buckinghamshire, SL8 5FH, U.K.
Tel: <44> (1628) 585-100, Fax: <44> (1628) 585-900

Renesas Technology (Shanghai) Co., Ltd.
Unit 204, 205, AZIA Center, No.1233 Lujiazui Ring Rd, Pudong District, Shanghai, China 200120
Tel: <86> (21) 5877-1818, Fax: <86> (21) 6887-7898

Renesas Technology Hong Kong Ltd.
7th Floor, North Tower, World Finance Centre, Harbour City, 1 Canton Road, Tsimshatsui, Kowloon, Hong Kong
Tel: <852> 2265-6688, Fax: <852> 2730-6071

Renesas Technology Taiwan Co., Ltd.
10th Floor, No.99, Fushing North Road, Taipei, Taiwan
Tel: <886> (2) 2715-2888, Fax: <886> (2) 2713-2999

Renesas Technology Singapore Pte. Ltd.
1 Harbour Front Avenue, #06-10, Keppel Bay Tower, Singapore 098632
Tel: <65> 6213-0200, Fax: <65> 6278-8001

Renesas Technology Korea Co., Ltd.
Kukje Center Bldg. 18th Fl., 191, 2-ka, Hangang-ro, Yongsan-ku, Seoul 140-702, Korea
Tel: <82> (2) 796-3115, Fax: <82> (2) 796-2145

Renesas Technology Malaysia Sdn. Bhd
Unit 906, Block B, Menara Amcorp, Amcorp Trade Centre, No.18, Jalan Persiaran Barat, 46050 Petaling Jaya, Selangor Darul Ehsan, Malaysia
Tel: <603> 7955-9390, Fax: <603> 7955-9510