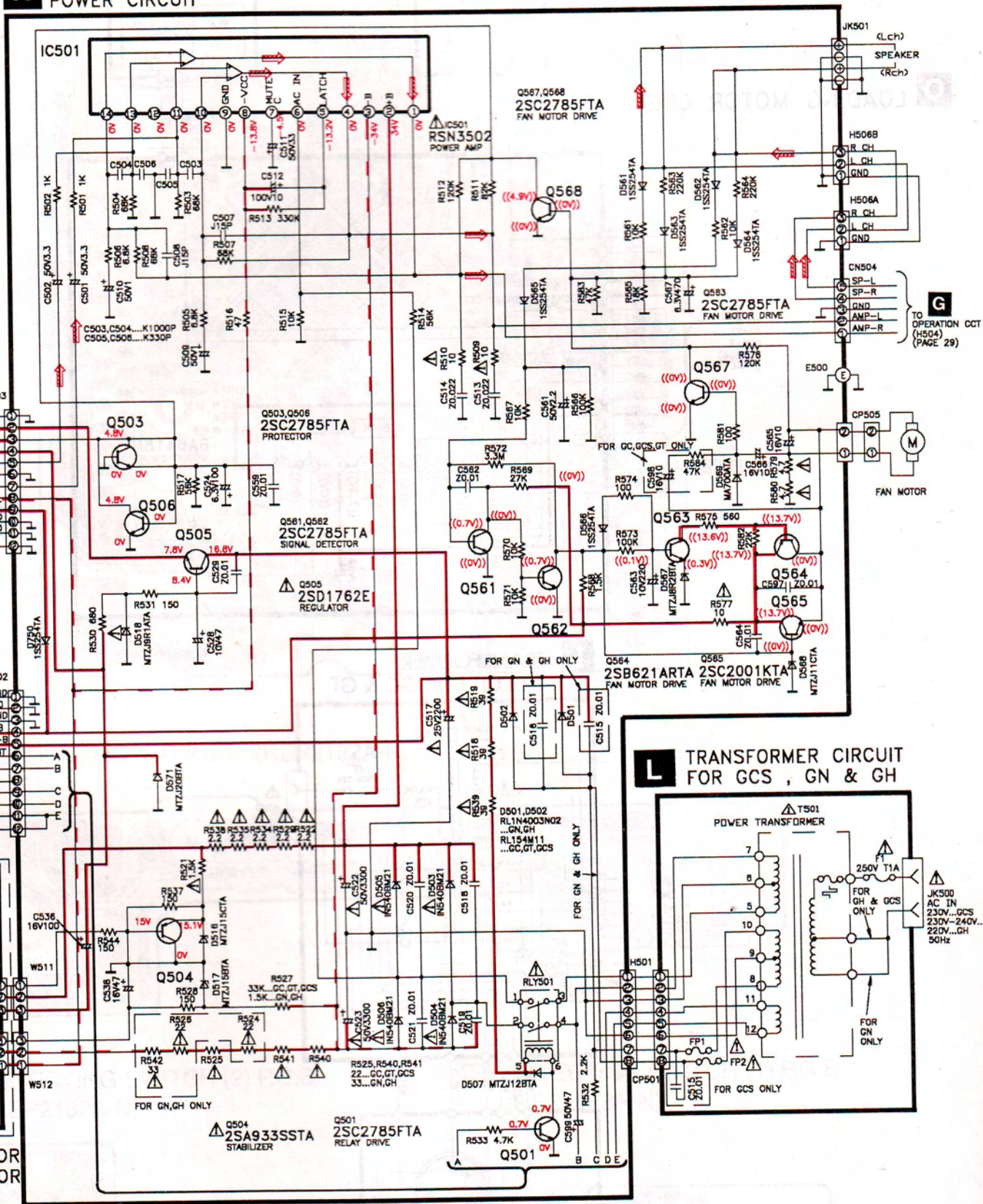


K POWER CIRCUIT



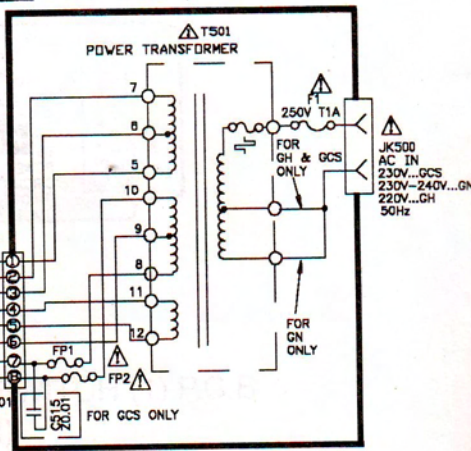
D TO MAIN CIRCUIT (CP503) (PAGE 41)

D TO MAIN CIRCUIT (CP502) (PAGE 41)

FOR GN/GH : TO BE FOUND IN CIRCUIT

Q REGULATOR TRANSISTOR CIRCUIT

L TRANSFORMER CIRCUIT FOR GCS, GN & GH



G TO OPERATION CTT (H504) (PAGE 29)