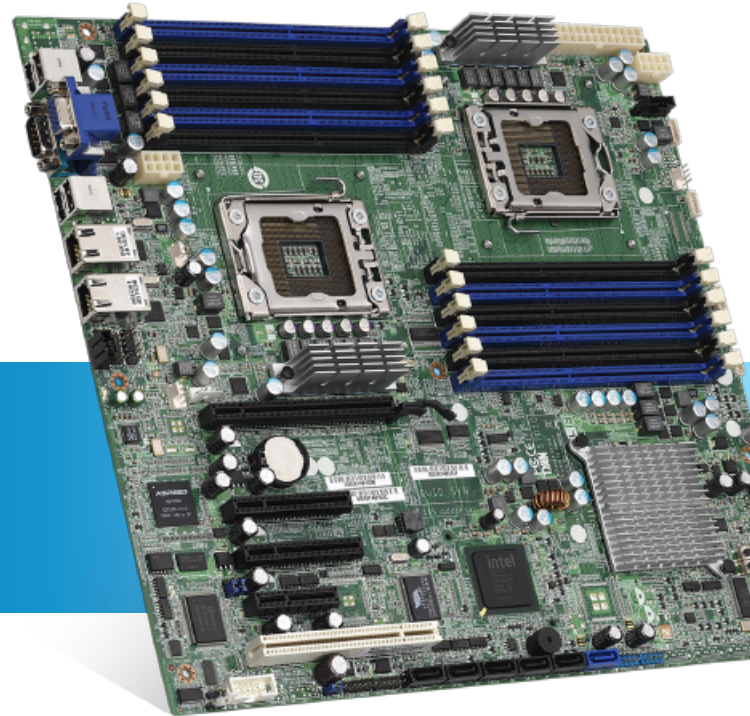
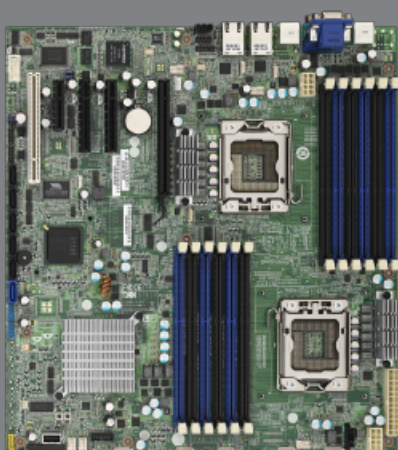


DUAL-SOCKET SERVER / WORKSTATION PLATFORM



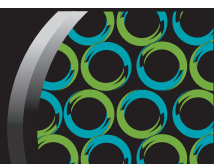
S7010
S7010AGM2NRF



■ Intel® 5520 Chipset

Mainstream dual-socket server/ workstation platform with iKVM support

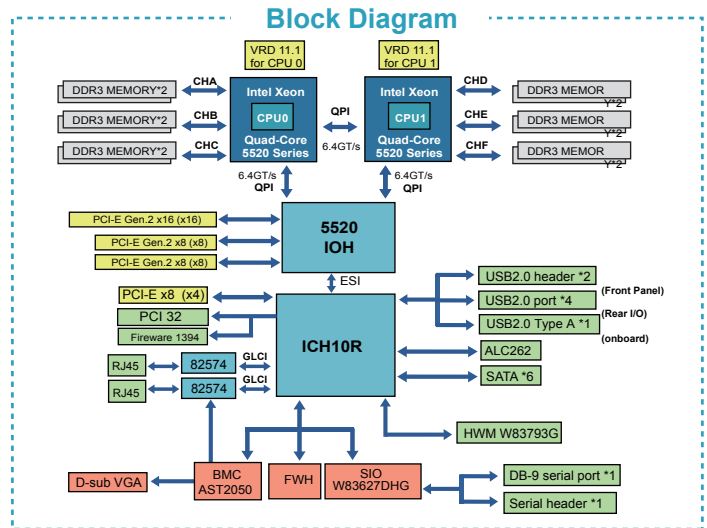
- Dual LGA1366 sockets support up to (2) Intel® Xeon® Processor 5500/ 5600 Series
- Support QPI 6.4/ 5.86/ 4.8 GT/s
- Intel® 5520 IOH
- Intel® ICH10R South Bridge
- (12) 240-pin DDR3 DIMM slots support up to 96GB R-DDR3 1333/1066/800MHz w/ ECC memory
- (1) PCI-E Gen.2 x16 slot
- (2) PCI-E Gen.2 x8 slots
- (1) PCI-E x4 slot
- (1) PCI 32/33MHz slot
- (6) SATA-II connectors w/ RAID 0, 1, 10, 5 support
- Onboard Audio and Firewire
- (2) GbE LAN
- TPM 1.2 (Trusted Platform Module) support
- Onboard BMC w/ iKVM support
- SSI EEB (12" x 13") form factor



S7010

S7010AGM2NRF

Processor	Supported CPU Series	Intel® Xeon® Processor 5500/ 5600 Series	
	Socket Type / Q'ty	LGA1366 / (2)	
	Thermal Design Power (TDP) wattage	130W	
Chipset	System Bus (MHz)	Up to 4.8/ 5.86/ 6.4GT/s with Intel® QuickPath Interconnect (QPI) support	
	IOH / ICH	Intel® 5520 / ICH10R	
Memory	Super I/O	Winbond W83627	
	Supported DIMM Qty	(12) DIMM sockets	
	DIMM Type / Speed	DDR3 800/1066/1333 RDIMM/UDIMM	
	Capacity	Up to 96GB at launch w/ dual rank RDIMMs	
	Memory channel	6 Channels (3 Channels per CPU)	
Expansion Slots	Memory voltage	1.5V	
	PCI-E	(1) PCI-E Gen.2 x16 slot (2) PCI-E Gen.2 x8 slots (1) PCI-E x4 slot	
	PCI	(1) PCI 32-bit slot	
LAN	Recommended TYAN® Riser Card	M2083-RS, PCI-E x16 1U riser card (left) M2061, PCI-E x8 to PCI-X 1U riser card (left)	
	Port Q'ty	(2)	
Storage	Controller	Intel® 82574L	
	SATA	Connector	(6) SATA
		Controller	ICH10R
		Speed	3.0 Gb/s
RAID	RAID 0/1/10/5 (Intel® Matrix RAID)		
Graphic	RAID	RAID 0/1/10/5 (Intel® Matrix RAID)	
	Connector type	D-Sub 15-pin	
	Resolution	1600x1200@60Hz	
Audio	Chipset	Aspeed AST2050	
	Chipset	Realtek ALC262	
Firewire	Feature	HDA 2.0 spec. compliant	
	Port Q'ty	(2)	
TPM	Chipset	VIA VT6308	
	Chipset	Infinion SLB9635	
Input /Output	Version	TPM v1.2	
	USB	(9) USB2.0 ports (4 at rear, 4 via cable, 1 type A onboard)	
	COM	(2) ports (1 at rear, 1 via cable)	
	VGA	(1) D-Sub 15-pin VGA port	
	Audio	(1) CD_IN header (1) 2x5-pin front panel audio header (1) 2x6-pin rear audio jack header	
	RJ-45	(2) GbE ports	
	Firewire	(2) 2x5-pin headers	
	Power	SSI 24-pin + 8-pin + 8-pin power connectors / EPS12V	
	Front Panel	(1) 2x12-pin SSI front panel header	
	SATA	(6) SATA-II connectors	
System Monitoring	Chipset	Winbond W83793G	
	Voltage	Monitors voltage for CPU, memory, chipset & power supply	
	Fan	Total (5) 4-pin headers Total (5) 8-pin headers	
	Temperature	Monitors temperature for CPU & system environment	



System Monitoring	LED	Fan fail LED indicator (presented by system front panel) Over temperature warning indicator
	Others	Chassis intrusion detection Watchdog timer support
Server Management	Onboard Chipset	Onboard Aspeed AST2050
	AST2050 IPMI Feature	IPMI 2.0 compliant baseboard management controller (BMC) Supports storage over IP and remote platform-flash BIOS update USB 2.0 virtual hub
	AST2050 iKVM Feature	24-bit high quality video compression Dual 10/100 Mb/s MAC interfaces
BIOS	Brand / ROM size	AMI / 4MB
	Feature	Plug and Play (PnP) / PCI2.3 WfM2.0 / SMBIOS2.3 / PXE boot ACPI 2.0 power management Power on mode after power recovery User-configurable H/W monitoring Auto-configurable of hard disk types Multiple boot options
Form Factor	Form Factor	SSI EEB
Operation System	Board Dimension	12"x13" (305x330mm)
	OS supported list	Please refer to our OS supported list.
Regulation	FCC (DoC)	Class B
	CE (DoC)	Yes
Operating Environment	Operating Temp.	10° C ~ 35° C (50° F ~ 95° F)
	Non-operating Temp.	-40° C ~ 70° C (-40° F ~ 158° F)
RoHS	In/Non-operating Humidity	90%, non-condensing at 35° C
	RoHS 6/6 Complaint	Yes

(Specifications are subject to change without notice. Items pictured may only be representative.)