

S25FL129P

128-Mbit CMOS 3.0 Volt Flash Memory
with 104-MHz SPI (Serial Peripheral Interface) Multi I/O Bus

Data Sheet



This product is not recommended for new and current designs. For new and current designs, S25FL128S supersedes S25FL129P. This is the factory-recommended migration path. Please refer to the S25FL128S data sheet for specifications and ordering information.

Notice to Readers: This document states the current technical specifications regarding the Spansion product(s) described herein. Each product described herein may be designated as Advance Information, Preliminary, or Full Production. See [Notice On Data Sheet Designations](#) for definitions.

Notice On Data Sheet Designations

Spansion Inc. issues data sheets with Advance Information or Preliminary designations to advise readers of product information or intended specifications throughout the product life cycle, including development, qualification, initial production, and full production. In all cases, however, readers are encouraged to verify that they have the latest information before finalizing their design. The following descriptions of Spansion data sheet designations are presented here to highlight their presence and definitions.

Advance Information

The Advance Information designation indicates that Spansion Inc. is developing one or more specific products, but has not committed any design to production. Information presented in a document with this designation is likely to change, and in some cases, development on the product may discontinue. Spansion Inc. therefore places the following conditions upon Advance Information content:

“This document contains information on one or more products under development at Spansion Inc. The information is intended to help you evaluate this product. Do not design in this product without contacting the factory. Spansion Inc. reserves the right to change or discontinue work on this proposed product without notice.”

Preliminary

The Preliminary designation indicates that the product development has progressed such that a commitment to production has taken place. This designation covers several aspects of the product life cycle, including product qualification, initial production, and the subsequent phases in the manufacturing process that occur before full production is achieved. Changes to the technical specifications presented in a Preliminary document should be expected while keeping these aspects of production under consideration. Spansion places the following conditions upon Preliminary content:

“This document states the current technical specifications regarding the Spansion product(s) described herein. The Preliminary status of this document indicates that product qualification has been completed, and that initial production has begun. Due to the phases of the manufacturing process that require maintaining efficiency and quality, this document may be revised by subsequent versions or modifications due to changes in technical specifications.”

Combination

Some data sheets contain a combination of products with different designations (Advance Information, Preliminary, or Full Production). This type of document distinguishes these products and their designations wherever necessary, typically on the first page, the ordering information page, and pages with the DC Characteristics table and the AC Erase and Program table (in the table notes). The disclaimer on the first page refers the reader to the notice on this page.

Full Production (No Designation on Document)

When a product has been in production for a period of time such that no changes or only nominal changes are expected, the Preliminary designation is removed from the data sheet. Nominal changes may include those affecting the number of ordering part numbers available, such as the addition or deletion of a speed option, temperature range, package type, or V_{IO} range. Changes may also include those needed to clarify a description or to correct a typographical error or incorrect specification. Spansion Inc. applies the following conditions to documents in this category:

“This document states the current technical specifications regarding the Spansion product(s) described herein. Spansion Inc. deems the products to have been in sufficient production volume such that subsequent versions of this document are not expected to change. However, typographical or specification corrections, or modifications to the valid combinations offered may occur.”

Questions regarding these document designations may be directed to your local sales office.

S25FL129P

128-Mbit CMOS 3.0 Volt Flash Memory with 104-MHz SPI (Serial Peripheral Interface) Multi I/O Bus



Data Sheet

This product is not recommended for new and current designs. For new and current designs, S25FL128S supersedes S25FL129P. This is the factory-recommended migration path. Please refer to the S25FL128S data sheet for specifications and ordering information.

Distinctive Characteristics

Architectural Advantages

- **Single power supply operation**
 - Full voltage range: 2.7 to 3.6V read and write operations
- **Memory architecture**
 - Uniform 64 KB sectors
 - Top or bottom parameter block (Two 64-KB sectors broken down into sixteen 4-KB sub-sectors each)
 - Uniform 256 KB sectors (no 4-KB sub-sectors)
 - 256-byte page size
 - Backward compatible with the S25FL128P (uniform 256 KB sector device)
- **Program**
 - Page Program (up to 256 bytes) in 1.5 ms (typical)
 - Program operations are on a page by page basis
 - Accelerated programming mode via 9V W#/ACC pin
 - Quad Page Programming
- **Erase**
 - Bulk erase function
 - Sector erase (SE) command (D8h) for 64 KB and 256 KB sectors
 - Sub-sector erase (P4E) command (20h) for 4 KB sectors (for uniform 64-KB sector device only)
 - Sub-sector erase (P8E) command (40h) for 8 KB sectors (for uniform 64-KB sector device only)
- **Cycling endurance**
 - 100,000 cycles per sector typical
- **Data retention**
 - 20 years typical
- **Device ID**
 - JEDEC standard two-byte electronic signature
 - RES command one-byte electronic signature for backward compatibility
- **One time programmable (OTP) area for permanent, secure identification; can be programmed and locked at the factory or by the customer**
- **CFI (Common Flash Interface) compliant: allows host system to identify and accommodate multiple flash devices**
- **Process technology**
 - Manufactured on 0.09 µm MirrorBit® process technology
- **Package option**
 - Industry Standard Pinouts
 - 16-pin SO package (300 mils)
 - 8-contact WSON package (6 x 8 mm)
 - 24-ball BGA (6 x 8 mm) package, 5 x 5 pin configuration
 - 24-ball BGA (6 x 8 mm) package, 6 x 4 pin configuration

Performance Characteristics

- **Speed**
 - Normal READ (Serial): 40 MHz clock rate
 - FAST_READ (Serial): 104 MHz clock rate (maximum)
 - DUAL I/O FAST_READ: 80 MHz clock rate or 20 MB/s effective data rate
 - QUAD I/O FAST_READ: 80 MHz clock rate or 40 MB/s effective data rate
- **Power saving standby mode**
 - Standby Mode 80 µA (typical)
 - Deep Power-Down Mode 3 µA (typical)

Memory Protection Features

- **Memory protection**
 - W#/ACC pin works in conjunction with Status Register Bits to protect specified memory areas
 - Status Register Block Protection bits (BP2, BP1, BP0) in status

General Description

The S25FL129P is a 3.0 Volt (2.7V to 3.6V), single-power-supply Flash memory device. The device is offered in two configurations: 256 uniform 64 KB sectors with the two (Top or Bottom) 64 KB sectors further split up into thirty-two 4 KB sub sectors, or 64 uniform 256 KB sectors. The S25FL129P device is backward compatible with the S25FL128P (uniform 256 KB sector) device.

The device accepts data written to SI (Serial Input) and outputs data on SO (Serial Output). The devices are designed to be programmed in-system with the standard system 3.0-volt V_{CC} supply.

The S25FL129P device adds the following high-performance features using 5 new instructions:

- Dual Output Read using both SI and SO pins as output pins at a clock rate of up to 80 MHz
- Quad Output Read using SI, SO, W#/ACC and HOLD# pins as output pins at a clock rate of up to 80 MHz
- Dual I/O High Performance Read using both SI and SO pins as input and output pins at a clock rate of up to 80 MHz
- Quad I/O High Performance Read using SI, SO, W#/ACC and HOLD# pins as input and output pins at a clock rate of up to 80 MHz
- Quad Page Programming using SI, SO, W#/ACC and HOLD# pins as input pins to program data at a clock rate of up to 80 MHz

The memory can be programmed 1 to 256 bytes at a time, using the Page Program command. The device supports Sector Erase and Bulk Erase commands.

Each device requires only a 3.0-volt power supply (2.7V to 3.6V) for both read and write functions. Internally generated and regulated voltages are provided for the program operations. This device requires a high voltage supply to the W#/ACC pin to enable the Accelerated Programming mode.

The S25FL129P device also offers a One-Time Programmable area (OTP) of up to 128-bits (16 bytes) for permanent secure identification and an additional 490 bytes of OTP space for other use. This OTP area can be programmed or read using the OTPPP or OTPR instructions.

Table of Contents

| | |
|--|----|
| Distinctive Characteristics | 3 |
| General Description | 4 |
| 1. Block Diagram | 9 |
| 2. Connection Diagrams | 9 |
| 3. Input/Output Descriptions | 11 |
| 4. Logic Symbol | 11 |
| 5. Ordering Information | 12 |
| 5.1 Valid Combinations | 12 |
| 6. Spansion SPI Modes | 13 |
| 7. Device Operations | 14 |
| 7.1 Byte or Page Programming | 14 |
| 7.2 Quad Page Programming | 14 |
| 7.3 Dual and Quad I/O Mode | 14 |
| 7.4 Sector Erase / Bulk Erase | 14 |
| 7.5 Monitoring Write Operations Using the Status Register | 14 |
| 7.6 Active Power and Standby Power Modes | 14 |
| 7.7 Status Register | 15 |
| 7.8 Configuration Register | 15 |
| 7.9 Data Protection Modes | 17 |
| 7.10 Hold Mode (HOLD#) | 18 |
| 7.11 Accelerated Programming Operation | 18 |
| 8. Sector Address Table | 19 |
| 9. Command Definitions | 24 |
| 9.1 Read Data Bytes (READ) | 26 |
| 9.2 Read Data Bytes at Higher Speed (FAST_READ) | 27 |
| 9.3 Dual Output Read Mode (DOR) | 28 |
| 9.4 Quad Output Read Mode (QOR) | 29 |
| 9.5 DUAL I/O High Performance Read Mode (DIOR) | 30 |
| 9.6 Quad I/O High Performance Read Mode (QIOR) | 32 |
| 9.7 Read Identification (RDID) | 33 |
| 9.8 Read-ID (READ_ID) | 37 |
| 9.9 Write Enable (WREN) | 38 |
| 9.10 Write Disable (WRDI) | 38 |
| 9.11 Read Status Register (RDSR) | 39 |
| 9.12 Read Configuration Register (RCR) | 40 |
| 9.13 Write Registers (WRR) | 41 |
| 9.14 Page Program (PP) | 43 |
| 9.15 QUAD Page Program (QPP) | 44 |
| 9.16 Parameter Sector Erase (P4E, P8E) (only applicable for the uniform 64 KB sector device) | 45 |
| 9.17 Sector Erase (SE) | 46 |
| 9.18 Bulk Erase (BE) | 47 |
| 9.19 Deep Power-Down (DP) | 48 |
| 9.20 Release from Deep Power-Down (RES) | 49 |
| 9.21 Clear Status Register (CLSR) | 50 |
| 9.22 OTP Program (OTPP) | 51 |
| 9.23 Read OTP Data Bytes (OTPR) | 51 |
| 10. OTP Regions | 52 |
| 10.1 Programming OTP Address Space | 52 |
| 10.2 Reading OTP Data | 52 |
| 10.3 Locking OTP Regions | 52 |
| 11. Power-up and Power-down | 55 |
| 12. Initial Delivery State | 56 |

| | |
|---|----|
| 13. Program Acceleration via W#/ACC Pin | 56 |
| 14. Electrical Specifications | 57 |
| 14.1 Absolute Maximum Ratings | 57 |
| 15. Operating Ranges | 57 |
| 16. DC Characteristics | 58 |
| 17. Test Conditions | 59 |
| 18. AC Characteristics | 60 |
| 18.1 Capacitance | 61 |
| 19. Physical Dimensions | 63 |
| 19.1 SO3 016 — 16-pin Wide Plastic Small Outline Package (300-mil Body Width) | 63 |
| 19.2 WSON 8-contact (6 x 8 mm) No-Lead Package | 64 |
| 19.3 FAB024 — 24-ball Ball Grid Array (6 x 8 mm) package | 65 |
| 19.4 FAC024 — 24-ball Ball Grid Array (6 x 8 mm) package | 66 |
| 20. Revision History | 67 |

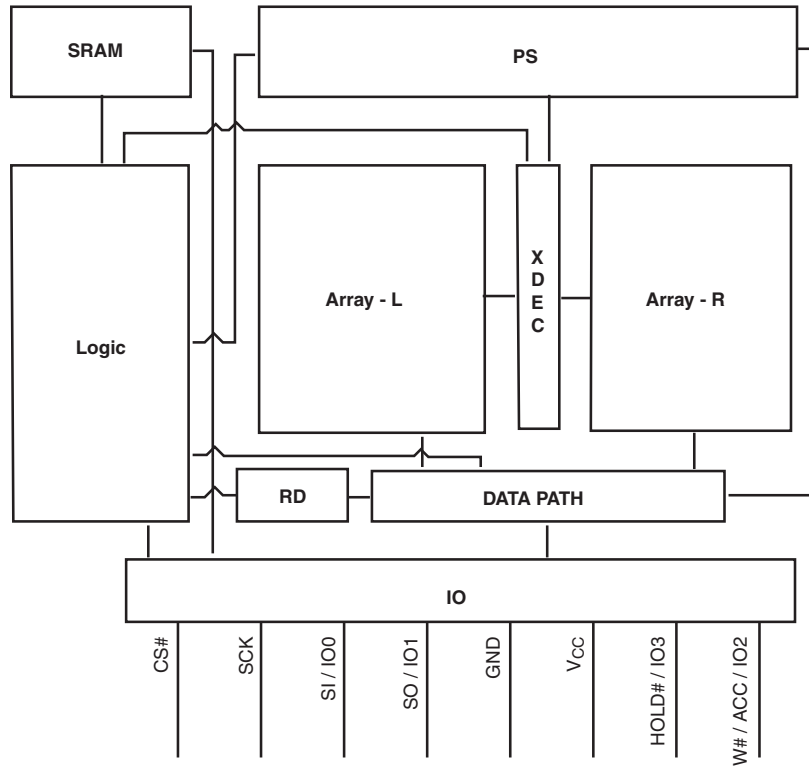
Figures

| | | |
|-------------|---|----|
| Figure 2.1 | 16-pin Plastic Small Outline Package (SO) | 9 |
| Figure 2.2 | 8-contact WSON Package (6 x 8 mm) | 10 |
| Figure 2.3 | 6 x 8 mm 24-ball BGA Package, 5 x 5 Pin Configuration | 10 |
| Figure 2.4 | 6 x 8 mm 24-ball BGA Package, 6 x 4 Pin Configuration | 10 |
| Figure 6.1 | Bus Master and Memory Devices on the SPI Bus | 13 |
| Figure 6.2 | SPI Modes Supported | 13 |
| Figure 7.1 | Hold Mode Operation | 18 |
| Figure 9.1 | Read Data Bytes (READ) Command Sequence | 26 |
| Figure 9.2 | Read Data Bytes at Higher Speed (FAST_READ) Command Sequence | 27 |
| Figure 9.3 | Dual Output Read Instruction Sequence | 28 |
| Figure 9.4 | Quad Output Read Instruction Sequence | 29 |
| Figure 9.5 | DUAL I/O High Performance Read Instruction Sequence | 30 |
| Figure 9.6 | Continuous Dual I/O High Performance Read Instruction Sequence | 31 |
| Figure 9.7 | QUAD I/O High Performance Instruction Sequence | 32 |
| Figure 9.8 | Continuous QUAD I/O High Performance Instruction Sequence | 33 |
| Figure 9.9 | Read Identification (RDID) Command Sequence and Data-Out Sequence | 34 |
| Figure 9.10 | Read-ID (RDID) Command Timing Diagram | 37 |
| Figure 9.11 | Write Enable (WREN) Command Sequence | 38 |
| Figure 9.12 | Write Disable (WRDI) Command Sequence | 38 |
| Figure 9.13 | Read Status Register (RDSR) Command Sequence | 39 |
| Figure 9.14 | Read Configuration Register (RCR) Instruction Sequence | 40 |
| Figure 9.15 | Write Registers (WRR) Instruction Sequence – 8 data bits | 41 |
| Figure 9.16 | Write Registers (WRR) Instruction Sequence – 16 data bits | 42 |
| Figure 9.17 | Page Program (PP) Command Sequence | 43 |
| Figure 9.18 | QUAD Page Program Instruction Sequence | 44 |
| Figure 9.19 | Parameter Sector Erase (P4E, P8E) Instruction Sequence | 45 |
| Figure 9.20 | Sector Erase (SE) Command Sequence | 46 |
| Figure 9.21 | Bulk Erase (BE) Command Sequence | 47 |
| Figure 9.22 | Deep Power-Down (DP) Command Sequence | 48 |
| Figure 9.23 | Release from Deep Power-Down (RES) Command Sequence | 49 |
| Figure 9.24 | Release from Deep Power-Down and RES Command Sequence | 50 |
| Figure 9.25 | Clear Status Register (CLSR) Instruction Sequence | 50 |
| Figure 9.26 | OTP Program Instruction Sequence | 51 |
| Figure 9.27 | Read OTP Instruction Sequence | 51 |
| Figure 10.1 | OTP Memory Map - Part 1 | 53 |
| Figure 10.2 | OTP Memory Map - Part 2 | 54 |
| Figure 11.1 | Power-Up Timing Diagram | 55 |
| Figure 11.2 | Power-down and Voltage Drop | 55 |
| Figure 13.1 | ACC Program Acceleration Timing Requirements | 56 |
| Figure 14.1 | Maximum Negative Overshoot Waveform | 57 |
| Figure 14.2 | Maximum Positive Overshoot Waveform | 57 |
| Figure 17.1 | AC Measurements I/O Waveform | 59 |
| Figure 18.1 | AC Characteristics | 60 |
| Figure 18.2 | SPI Mode 0 (0,0) Input Timing | 61 |
| Figure 18.3 | SPI Mode 0 (0,0) Output Timing | 61 |
| Figure 18.4 | HOLD# Timing | 62 |
| Figure 18.5 | Write Protect Setup and Hold Timing during WRR when SRWD = 1 | 62 |

Tables

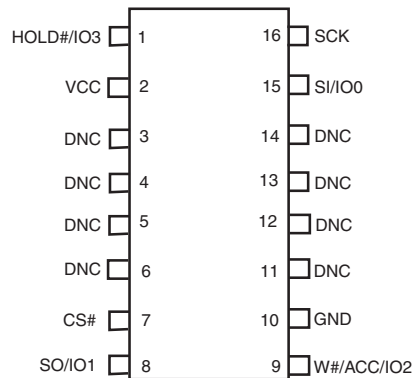
| | | |
|------------|--|----|
| Table 5.1 | S25FL129P Valid Combinations Table | 12 |
| Table 7.1 | Configuration Register Table (Uniform 64 KB sector) | 16 |
| Table 7.2 | Configuration Register Table (Uniform 256 KB sector) | 16 |
| Table 7.3 | TBPROT = 0 (Starts Protection from TOP of Array) | 17 |
| Table 7.4 | TBPROT = 1 (Starts Protection from BOTTOM of Array) | 17 |
| Table 8.1 | S25FL129P Sector Address Table (Uniform 256 KB sector) | 19 |
| Table 8.2 | S25FL129P Sector Address Table (Uniform 64 KB sector, TBPARAM=0) | 20 |
| Table 8.3 | S25FL129P Sector Address Table (Uniform 64 KB sector, TBPARAM=1) | 22 |
| Table 9.1 | Instruction Set | 25 |
| Table 9.2 | Manufacturer and Device Identification - RDID (9Fh): | 34 |
| Table 9.3 | Product Group CFI Query Identification String | 34 |
| Table 9.4 | Product Group CFI System Interface String | 35 |
| Table 9.5 | Product Group CFI Device Geometry Definition | 35 |
| Table 9.6 | Product Group CFI Primary Vendor-Specific Extended Query | 36 |
| Table 9.7 | READ_ID Data-Out Sequence | 37 |
| Table 9.8 | S25FL129P Status Register | 39 |
| Table 9.9 | Protection Modes | 42 |
| Table 11.1 | Power-Up / Power-Down Voltage and Timing | 56 |
| Table 13.1 | ACC Program Acceleration Specifications | 56 |
| Table 15.1 | Operating Ranges | 57 |
| Table 16.1 | DC Characteristics (CMOS Compatible) | 58 |
| Table 17.1 | Test Specifications | 59 |

1. Block Diagram



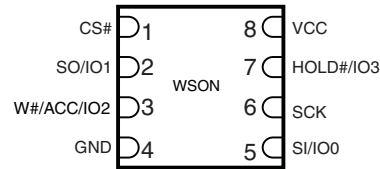
2. Connection Diagrams

Figure 2.1 16-pin Plastic Small Outline Package (SO)



Note
DNC = Do Not Connect (Reserved for future use)

Figure 2.2 8-contact WSON Package (6 x 8 mm)



Note

There is an exposed central pad on the underside of the WSON package. This should not be connected to any voltage or signal line on the PCB. Connecting the central pad to GND (V_{SS}) is possible, provided PCB routing ensures 0mV difference between voltage at the WSON GND (V_{SS}) lead and the central exposed pad.

Figure 2.3 6 x 8 mm 24-ball BGA Package, 5 x 5 Pin Configuration

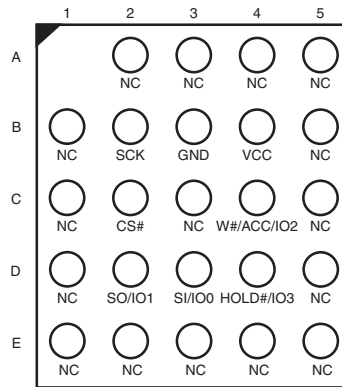
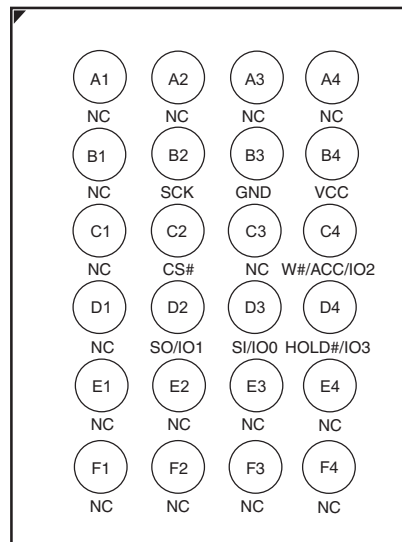


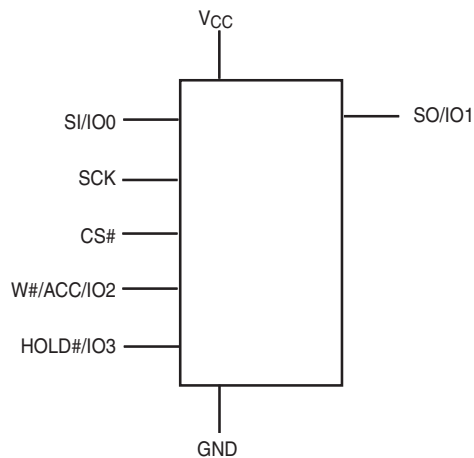
Figure 2.4 6 x 8 mm 24-ball BGA Package, 6 x 4 Pin Configuration



3. Input/Output Descriptions

| Signal | I/O | Description |
|-----------------|-------|--|
| SO/IO1 | I/O | Serial Data Output: Transfers data serially out of the device on the falling edge of SCK. Functions as an I/O pin in Dual and Quad I/O, and Quad Page Program modes. |
| SI/IO0 | I/O | Serial Data Input: Transfers data serially into the device. Device latches commands, addresses, and program data on SI on the rising edge of SCK. Functions as an I/O pin in Dual and Quad I/O mode. |
| SCK | Input | Serial Clock: Provides serial interface timing. Latches commands, addresses, and data on SI on rising edge of SCK. Triggers output on SO after the falling edge of SCK. |
| CS# | Input | Chip Select: Places device in active power mode when driven low. Deselects device and places SO at high impedance when high. After power-up, device requires a falling edge on CS# before any command is written. Device is in standby mode when a program, erase, or Write Status Register operation is not in progress. |
| HOLD#/IO3 | I/O | Hold: Pauses any serial communication with the device without deselecting it. When driven low, SO is at high impedance, and all input at SI and SCK are ignored. Requires that CS# also be driven low. Functions as an I/O pin in Quad I/O mode. |
| W#/ACC/IO2 | I/O | Write Protect: Protects the memory area specified by Status Register bits BP2:BP0. When driven low, prevents any program or erase command from altering the data in the protected memory area. Functions as an I/O pin in Quad I/O mode. |
| V _{CC} | Input | Supply Voltage |
| GND | Input | Ground |

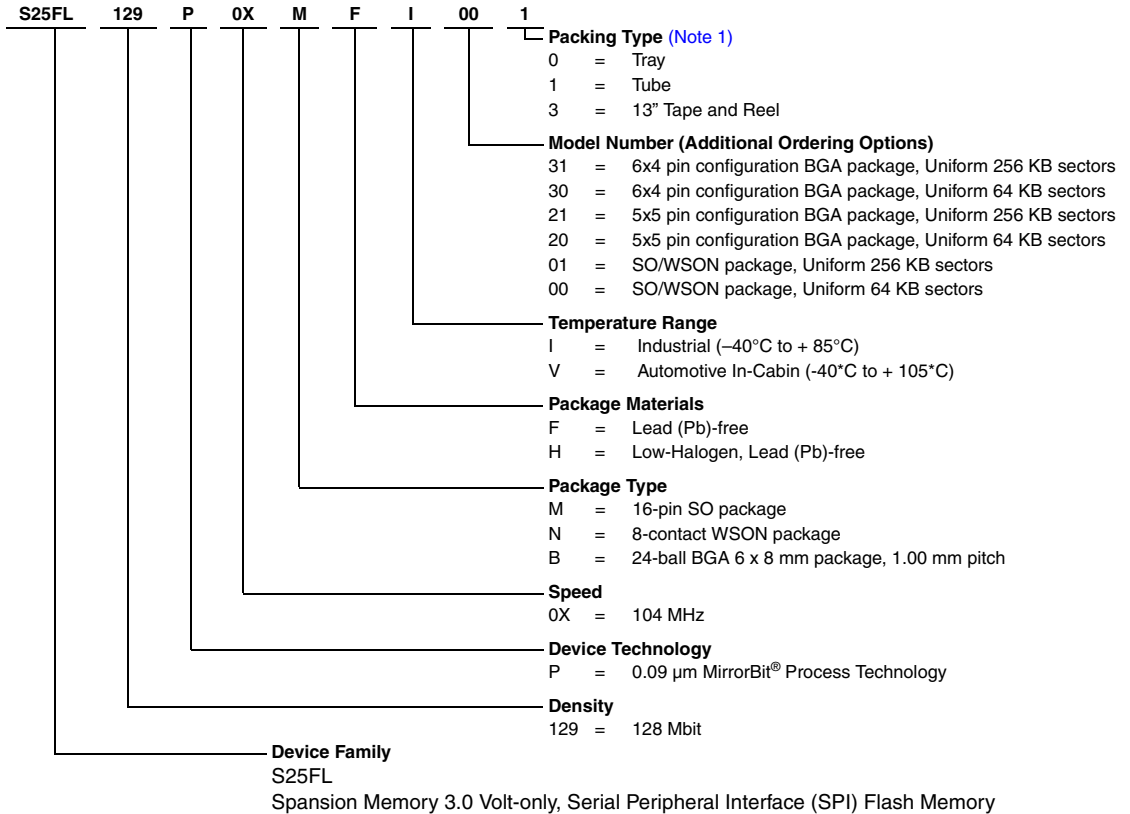
4. Logic Symbol



5. Ordering Information

This product is not recommended for new and current designs. For new and current designs, S25FL128S supersedes S25FL129P. This is the factory-recommended migration path. Please refer to the S25FL128S data sheet for specifications and ordering information.

The ordering part number is formed by a valid combination of the following:



5.1 Valid Combinations

Table 5.1 lists the valid combinations configurations planned to be supported in volume for this device.

Table 5.1 S25FL129P Valid Combinations Table

| S25FL129P Valid Combinations | | | | | Package Marking |
|------------------------------|--------------|-------------------------|--------------|--------------|----------------------|
| Base Ordering Part Number | Speed Option | Package and Temperature | Model Number | Packing Type | |
| S25FL129P | 0X | MFI, NFI | 00 | 0, 1, 3 | FL129P + (Temp) + F |
| | | MFV, NFV | 01 | | FL129P + (Temp) + FL |
| | | BHI | 20, 30 | 0, 3 | FL129P + (Temp) + F |
| | | BHV | 21, 31 | | FL129P + (Temp) + FL |

Note

1. Package Marking omits the leading "S25" and speed, package and model number.

6. Spansion SPI Modes

A microcontroller can use either of its two SPI modes to control Spansion SPI Flash memory devices:

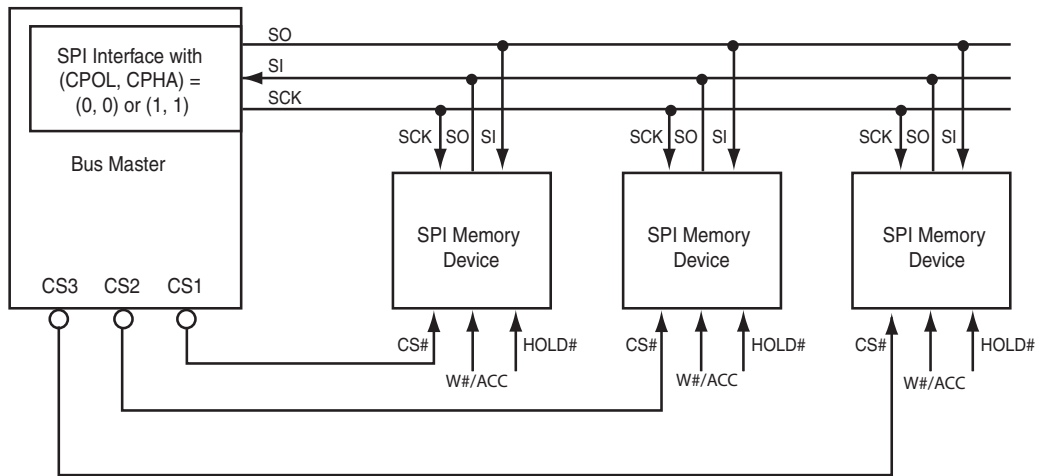
- CPOL = 0, CPHA = 0 (Mode 0)
- CPOL = 1, CPHA = 1 (Mode 3)

Input data is latched in on the rising edge of SCK, and output data is available from the falling edge of SCK for both modes.

When the bus master is in standby mode, SCK is as shown in [Figure 6.2](#) for each of the two modes:

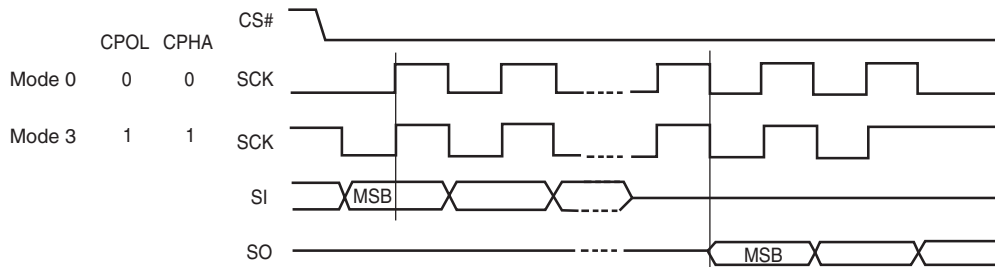
- SCK remains at 0 for (CPOL = 0, CPHA = 0 Mode 0)
- SCK remains at 1 for (CPOL = 1, CPHA = 1 Mode 3)

Figure 6.1 Bus Master and Memory Devices on the SPI Bus



Note
The Write Protect/Accelerated Programming (W#/ACC) and Hold (HOLD#) signals should be driven high (logic level 1) or low (logic level 0) as appropriate.

Figure 6.2 SPI Modes Supported



7. Device Operations

All Spansion SPI devices accept and output data in bytes (8 bits at a time). The SPI device is a slave device that supports an inactive clock while CS# is held low.

7.1 Byte or Page Programming

Programming data requires two commands: Write Enable (WREN), which is one byte, and a Page Program (PP) sequence, which consists of four bytes plus data. The Page Program sequence accepts from 1 byte up to 256 consecutive bytes of data (which is the size of one page) to be programmed in one operation. Programming means that bits can either be left at 0, or programmed from 1 to 0. Changing bits from 0 to 1 requires an erase operation.

7.2 Quad Page Programming

The Quad Page Program (QPP) instruction allows up to 256 bytes of data to be programmed using 4 pins as inputs at the same time, thus effectively quadrupling the data transfer rate, compared to the Page Program (PP) instruction. The Write Enable Latch (WEL) bit must be set to a 1 using the Write Enable (WREN) command prior to issuing the QPP command.

7.3 Dual and Quad I/O Mode

The S25FL129P device supports Dual and Quad I/O operation when using the Dual/Quad Output Read Mode and the Dual/Quad I/O High Performance Mode instructions. Using the Dual or Quad I/O instructions allows data to be transferred to or from the device at two to four times the rate of standard SPI devices. When operating in the Dual or Quad I/O High Performance Mode (BBh or EBh instructions), data can be read at fast speed using two or four data bits at a time, and the 3-byte address can be input two or four address bits at a time.

7.4 Sector Erase / Bulk Erase

The Sector Erase (SE) and Bulk Erase (BE) commands set all the bits in a sector or the entire memory array to 1. While bits can be individually programmed from 1 to 0, erasing bits from 0 to 1 must be done on a sector-wide (SE) or array-wide (BE) level. In addition to the 64-KB Sector Erase (SE), the S25FL129P device also offers 4-KB Parameter Sector Erase (P4E) and 8-KB Parameter Sector Erase (P8E) (only applicable for the uniform 64 KB sector device).

7.5 Monitoring Write Operations Using the Status Register

The host system can determine when a Write Register, program, or erase operation is complete by monitoring the Write in Progress (WIP) bit in the Status Register. The Read from Status Register command provides the state of the WIP bit. In addition, the S25FL129P device offers two additional bits in the Status Register (P_ERR, E_ERR) to indicate whether a Program or Erase operation was a success or failure.

7.6 Active Power and Standby Power Modes

The device is enabled and in the Active Power mode when Chip Select (CS#) is Low. When CS# is high, the device is disabled, but may still be in the Active Power mode until all program, erase, and Write Registers operations have completed. The device then goes into the Standby Power mode, and power consumption drops to I_{SB} . The Deep Power-Down (DP) command provides additional data protection against inadvertent signals. After writing the DP command, the device ignores any further program or erase commands, and reduces its power consumption to I_{DP} .

7.7 Status Register

The Status Register contains the status and control bits that can be read or set by specific commands (see [Table 9.1 on page 25](#)). These bits configure different protection configurations and supply information of operation of the device. (for details see [Table 9.8, S25FL129P Status Register on page 39](#)):

- **Write In Progress (WIP):** Indicates whether the device is performing a Write Registers, program or erase operation.
- **Write Enable Latch (WEL):** Indicates the status of the internal Write Enable Latch.
- **Block Protect (BP2, BP1, BP0):** Non-volatile bits that define memory area to be software-protected against program and erase commands.
- **Erase Error (E_ERR):** The Erase Error Bit is used as an Erase operation success and failure check.
- **Program Error (P_ERR):** The Program Error Bit is used as an program operation success and failure check.
- **Status Register Write Disable (SRWD):** Places the device in the Hardware Protected mode when this bit is set to 1 and the W#/ACC input is driven low. In this mode, the non-volatile bits of the Status Register (SRWD, BP2, BP1, BP0) become read-only bits.

7.8 Configuration Register

The Configuration Register contains the control bits that can be read or set by specific commands. These bits configure different configurations and security features of the device.

- The FREEZE bit locks the BP2-0 bits in Status Register and the TBPROT and TBPARM bits in the Configuration Register. Note that once the FREEZE bit has been set to '1', then it cannot be cleared to '0' until a power-on-reset is executed. As long as the FREEZE bit is set to '0', then the other bits of the Configuration Register, including FREEZE bit, can be written to.
- The QUAD bit is non-volatile and sets the pin out of the device to Quad mode; that is, W#/ACC becomes IO2 and HOLD# becomes IO3. The instructions for Serial, Dual Output, and Dual I/O reads function as normal. The W#/ACC and HOLD# functionality does not work when the device is set in Quad mode.
- The TBPARM bit defines the logical location of the 4 KB parameter sectors. The parameter sectors consist of thirty two 4 KB sectors. All sectors other than the parameter sectors are defined to be 64-KB uniform in size. When TBPARM is set to a '1', the 4 KB parameter sectors starts at the top of the array. When TBPARM is set to a '0', the 4 KB parameter sectors starts at the bottom of the array. Note that once this bit is set to a '1', it cannot be changed back to '0'. (This function is not applicable to the uniform 256 KB sector product.) The desired state of TBPARM must be selected during the initial configuration of the device during system manufacture; before the first program or erase operation on the main Flash array. TBPARM must not be programmed after programming or erasing is done in the main Flash array.
- The BPNV bit defines whether or not the BP2-0 bits in the Status Register are volatile or non-volatile. When BPNV is set to a '1', the BP2-0 bits in the Status Register are volatile and will be reset to binary 111 after power on reset. When BPNV is set to a '0', the BP2-0 bits in the Status Register are non-volatile. Note that once this bit is set to a '1', it cannot be changed back to '0'.
- The TBPROT bit defines the operation of the block protection bits BP2, BP1, and BP0 in the Status Register. When TBPROT is set to a '0', then the block protection is defined to start from the top of the array. When TBPROT is set to a '1', then the block protection is defined to start from the bottom of the array. Note that once this bit is set to a '1', it cannot be changed back to '0'. The desired state of TBPROT must be selected during the initial configuration of the device during system manufacture; before the first program or erase operation on the main Flash array. TBPROT must not be programmed after programming or erasing is done in the main Flash array.

Note: It is suggested that the Block Protection and Parameter sectors not be set to the same area of the array; otherwise, the user cannot utilize the Parameter sectors if they are protected. The following matrix shows the recommended settings.

| TBPARM | TBPROT | Array Overview |
|--------|--------|--|
| 0 | 0 | Parameter Sectors - Bottom BP Protection - Top (default) |
| 0 | 1 | Not recommended (Parameters and BP Protection are both Bottom) |
| 1 | 0 | Not recommended (parameters and BP Protection are both Top) |
| 1 | 1 | Parameter Sectors - Top of Array (high address) BP Protection - Bottom of Array (low address) |

Table 7.1 Configuration Register Table (Uniform 64 KB sector)

| Bit | Bit Name | Bit Function | Description |
|-----|----------|--|--|
| 7 | NA | - | Not Used |
| 6 | NA | - | Not Used |
| 5 | TBPROT | Configures start of block protection | 1 = Bottom Array (low address) 0 = Top Array (high address) (Default) |
| 4 | NA | - | Do Not Use |
| 3 | BPNV | Configures BP2-0 bits in the Status Register | 1 = Volatile 0 = Non-volatile (Default) |
| 2 | TBPARM | Configures Parameter sector location | 1 = Top Array (high address) 0 = Bottom Array (low address) (Default) |
| 1 | QUAD | Puts the device into Quad I/O mode | 1 = Quad I/O 0 = Dual or Serial I/O (Default) |
| 0 | FREEZE | Locks BP2-0 bits in the Status Register | 1 = Enabled 0 = Disabled (Default) |

Note

(Default) indicates the value of each Configuration Register bit set upon initial factory shipment.

Table 7.2 Configuration Register Table (Uniform 256 KB sector)

| Bit | Bit Name | Bit Function | Description |
|-----|----------|--|--|
| 7 | N/A | - | Not Used |
| 6 | N/A | - | Not Used |
| 5 | TBPROT | Configures start of block protection | 1 = Bottom Array (low address) 0 = Top Array (high address) (Default) |
| 4 | N/A | - | Do Not Use |
| 3 | BPNV | Configures BP2-0 bits in the Status Register | 1 = Volatile 0 = Non-volatile (Default) |
| 2 | N/A | - | Do not Use |
| 1 | QUAD | Puts the device into Quad I/O mode | 1 = Quad I/O 0 = Dual or Serial I/O (Default) |
| 0 | FREEZE | Locks BP2-0 bits in the Status Register | 1 = Enabled 0 = Disabled (Default) |

Note

1. (Default) indicates the value of each Configuration Register bit set upon initial factory shipment.

7.9 Data Protection Modes

Spansion SPI Flash memory devices provide the following data protection methods:

- **The Write Enable (WREN) command:** Must be written prior to any command that modifies data. The WREN command sets the Write Enable Latch (WEL) bit. The WEL bit resets (disables writes) on power-up or after the device completes the following commands:
 - Page Program (PP)
 - Sector Erase (SE)
 - Bulk Erase (BE)
 - Write Disable (WRDI)
 - Write Register (WRR)
 - Parameter 4 KB Sector Erase (P4E)
 - Parameter 8 KB Sector Erase (P8E)
 - Quad Page Programming (QPP)
 - OTP Byte Programming (OTPP)
- **Software Protected Mode (SPM):** The Block Protect BP2, BP1, BP0 bits define the section of the memory array that can be read but not programmed or erased. [Table 7.3](#) and [Table 7.4](#) shows the sizes and address ranges of protected areas that are defined by Status Register bits BP2:BP0.
- **Hardware Protected Mode (HPM):** The Write Protect (W#/ACC) input and the Status Register Write Disable (SRWD) bit together provide write protection.
- **Clock Pulse Count:** The device verifies that all program, erase, and Write Register commands consist of a clock pulse count that is a multiple of eight before executing them.

Table 7.3 TBPROT = 0 (Starts Protection from TOP of Array)

| Status Register Block | | | Memory Array | | | | | | Protected Portion of Total Memory Area |
|-----------------------|-----|-----|-------------------------|-------------------|----------------|---------------------------|---------------------|----------------|--|
| BP2 | BP1 | BP0 | Protected Address Range | Protected Sectors | | Unprotected Address Range | Unprotected Sectors | | |
| | | | | Uniform 64 KB | Uniform 256 KB | | Uniform 64 KB | Uniform 256 KB | |
| 0 | 0 | 0 | None | 0 | 0 | 000000h - FFFFFFFh | SA255:SA0 | SA63:SA0 | 0 |
| 0 | 0 | 1 | FC0000h - FFFFFFFh | (4) SA255:SA252 | (1) SA63 | 000000h - FBFFFFFFh | SA251:SA0 | SA62:SA0 | 1/64 |
| 0 | 1 | 0 | F80000h - FFFFFFFh | (8) SA255:SA248 | (2)SA63:SA62 | 000000h - F7FFFFFFh | SA247:SA0 | SA61:SA0 | 1/32 |
| 0 | 1 | 1 | F00000h - FFFFFFFh | (16) SA255:SA240 | (4)SA63:SA60 | 000000h - EFFFFFFh | SA239:SA0 | SA59:SA0 | 1/16 |
| 1 | 0 | 0 | E00000h - FFFFFFFh | (32) SA255:SA224 | (8)SA63:SA56 | 000000h - DFFFFFFh | SA223:SA0 | SA55:SA0 | 1/8 |
| 1 | 0 | 1 | C00000h - FFFFFFFh | (64)SA255:SA192 | (16)SA63:SA48 | 000000h - BFFFFFFh | SA191:SA0 | SA47:SA0 | 1/4 |
| 1 | 1 | 0 | 800000h - FFFFFFFh | (128)SA255:SA128 | (32)SA63:SA32 | 000000h - 7FFFFFFh | SA127:SA0 | SA31:SA0 | 1/2 |
| 1 | 1 | 1 | 000000h - FFFFFFFh | (256)SA255:SA0 | (64)SA63:SA0 | None | None | None | All |

Table 7.4 TBPROT = 1 (Starts Protection from BOTTOM of Array)

| Status Register Block | | | Memory Array | | | | | | Protected Portion of Total Memory Area |
|-----------------------|-----|-----|-------------------------|-------------------|----------------|---------------------------|---------------------|----------------|--|
| BP2 | BP1 | BP0 | Protected Address Range | Protected Sectors | | Unprotected Address Range | Unprotected Sectors | | |
| | | | | Uniform 64 KB | Uniform 256 KB | | Uniform 64 KB | Uniform 256 KB | |
| 0 | 0 | 0 | None | 0 | 0 | 000000h - FFFFFFFh | SA0:SA255 | SA0:SA63 | 0 |
| 0 | 0 | 1 | 000000h - 03FFFFFFh | (4) SA0:SA3 | (1) SA0 | 040000h - FFFFFFFh | SA4:SA255 | SA1:SA63 | 1/64 |
| 0 | 1 | 0 | 000000h - 07FFFFFFh | (8) SA0:SA7 | (2)SA0:SA1 | 080000h - FFFFFFFh | SA8:SA255 | SA2:SA63 | 1/32 |
| 0 | 1 | 1 | 000000h - 0FFFFFFh | (16)SA0:SA15 | (4)SA0:SA3 | 100000h - FFFFFFFh | SA16:SA255 | SA4:SA63 | 1/16 |
| 1 | 0 | 0 | 000000h - 1FFFFFFh | (32)SA0:SA31 | (8)SA0:SA7 | 200000h - FFFFFFFh | SA32:SA255 | SA8:SA63 | 1/8 |
| 1 | 0 | 1 | 000000h - 3FFFFFFh | (64)SA0:SA63 | (16)SA0:SA15 | 400000h - FFFFFFFh | SA64:SA255 | SA16:SA63 | 1/4 |
| 1 | 1 | 0 | 000000h - 7FFFFFFh | (128)SA0:SA127 | (32)SA0:SA31 | 800000h - FFFFFFFh | SA128:255 | SA32:SA63 | 1/2 |
| 1 | 1 | 1 | 000000h - FFFFFFFh | (256)SA0:SA255 | (64)SA0:SA63 | None | None | None | All |

7.10 Hold Mode (HOLD#)

The Hold input (HOLD#) stops any serial communication with the device, but does not terminate any Write Registers, program or erase operation that is currently in progress.

The Hold mode starts on the falling edge of HOLD# if SCK is also low (see Figure 7.1, standard use). If the falling edge of HOLD# does not occur while SCK is low, the Hold mode begins after the next falling edge of SCK (non-standard use).

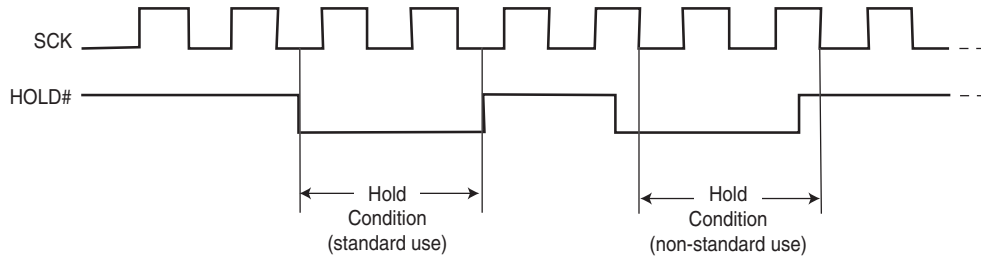
The Hold mode ends on the rising edge of HOLD# signal (standard use) if SCK is also low. If the rising edge of HOLD# does not occur while SCK is low, the Hold mode ends on the next falling edge of CLK (non-standard use) See Figure 7.1.

The SO output is high impedance, and the SI and SCK inputs are ignored (don't care) for the duration of the Hold mode.

CS# must remain low for the entire duration of the Hold mode to ensure that the device internal logic remains unchanged. If CS# goes high while the device is in the Hold mode, the internal logic is reset. To prevent the device from reverting to the Hold mode when device communication is resumed, HOLD# must be held high, followed by driving CS# low.

Note: The HOLD Mode feature is disabled during Quad I/O Mode.

Figure 7.1 Hold Mode Operation



7.11 Accelerated Programming Operation

The device offers accelerated program operations through the ACC function. This function is primarily intended to allow faster manufacturing throughput at the factory. If the system asserts V_{HH} on this pin, the device uses the higher voltage on the pin to reduce the time required for program operations. Removing V_{HH} from the W#/ACC pin returns the device to normal operation. Note that the W#/ACC pin must not be at V_{HH} for operations other than accelerated programming, or device damage may result. In addition, the W#/ACC pin must not be left floating or unconnected; inconsistent behavior of the device may result.

Note: The ACC function is disabled during Quad I/O Mode.

8. Sector Address Table

The Sector Address tables show the size of the memory array, sectors, and pages. The device uses pages to cache the program data before the data is programmed into the memory array. Each page or byte can be individually programmed (bits are changed from 1 to 0). The data is erased (bits are changed from 0 to 1) on a sub-sector, sector- or device-wide basis using the P4E/P8E (applicable only for the uniform 64 KB sector device), SE or BE commands. [Table 8.1](#) to [Table 8.3](#) show the starting and ending address for each sector. The complete set of sectors comprises the memory array of the Flash device.

Table 8.1 S25FL129P Sector Address Table (Uniform 256 KB sector)

| Sector | Address Range | | Sector | Address Range | |
|--------|---------------|-------------|--------|---------------|-------------|
| | Start Address | End Address | | Start Address | End Address |
| 63 | FC0000h | FFFFFFh | 31 | 7C0000h | 7FFFFFFh |
| 62 | F80000h | FBFFFFFFh | 30 | 780000h | 7BFFFFFFh |
| 61 | F40000h | F7FFFFFFh | 29 | 740000h | 77FFFFFFh |
| 60 | F00000h | F3FFFFFFh | 28 | 700000h | 73FFFFFFh |
| 59 | EC0000h | EFFFFFFh | 27 | 6C0000h | 6FFFFFFh |
| 58 | E80000h | EBFFFFFFh | 26 | 680000h | 6BFFFFFFh |
| 57 | E40000h | E7FFFFFFh | 25 | 640000h | 67FFFFFFh |
| 56 | E00000h | E3FFFFFFh | 24 | 600000h | 63FFFFFFh |
| 55 | DC0000h | DFFFFFFh | 23 | 5C0000h | 5FFFFFFh |
| 54 | D80000h | DBFFFFFFh | 22 | 580000h | 5BFFFFFFh |
| 53 | D40000h | D7FFFFFFh | 21 | 540000h | 57FFFFFFh |
| 52 | D00000h | D3FFFFFFh | 20 | 500000h | 53FFFFFFh |
| 51 | CC0000h | CFFFFFFh | 19 | 4C0000h | 4FFFFFFh |
| 50 | C80000h | CBFFFFFFh | 18 | 480000h | 4BFFFFFFh |
| 49 | C40000h | C7FFFFFFh | 17 | 440000h | 47FFFFFFh |
| 48 | C00000h | C3FFFFFFh | 16 | 400000h | 43FFFFFFh |
| 47 | BC0000h | BFFFFFFh | 15 | 3C0000h | 3FFFFFFh |
| 46 | B80000h | BBFFFFFFh | 14 | 380000h | 3BFFFFFFh |
| 45 | B40000h | B7FFFFFFh | 13 | 340000h | 37FFFFFFh |
| 44 | B00000h | B3FFFFFFh | 12 | 300000h | 33FFFFFFh |
| 43 | AC0000h | AFFFFFFh | 11 | 2C0000h | 2FFFFFFh |
| 42 | A80000h | ABFFFFFFh | 10 | 280000h | 2BFFFFFFh |
| 41 | A40000h | A7FFFFFFh | 9 | 240000h | 27FFFFFFh |
| 40 | A00000h | A3FFFFFFh | 8 | 200000h | 23FFFFFFh |
| 39 | 9C0000h | 9FFFFFFh | 7 | 1C0000h | 1FFFFFFh |
| 38 | 980000h | 9BFFFFFFh | 6 | 180000h | 1BFFFFFFh |
| 37 | 940000h | 97FFFFFFh | 5 | 140000h | 17FFFFFFh |
| 36 | 900000h | 93FFFFFFh | 4 | 100000h | 13FFFFFFh |
| 35 | 8C0000h | 8FFFFFFh | 3 | 0C0000h | 0FFFFFFh |
| 34 | 880000h | 8BFFFFFFh | 2 | 080000h | 0BFFFFFFh |
| 33 | 840000h | 87FFFFFFh | 1 | 040000h | 07FFFFFFh |
| 32 | 800000h | 83FFFFFFh | 0 | 000000h | 03FFFFFFh |

Table 8.2 S25FL129P Sector Address Table (Uniform 64 KB sector, TBPARM=0) (Sheet 1 of 2)

| Sector | Address Range | | Sector | Address Range | | Sector | Address Range | |
|--------|---------------|-------------|--------|---------------|-------------|--------|---------------|-------------|
| | Start Address | End Address | | Start Address | End Address | | Start Address | End Address |
| SA108 | 6C0000h | 6CFFFFh | SA61 | 3D0000h | 3DFFFFh | SA14 | 0E0000h | 0EFFFFh |
| SA107 | 6B0000h | 6BFFFFh | SA60 | 3C0000h | 3CFFFFh | SA13 | 0D0000h | 0DFFFFh |
| SA106 | 6A0000h | 6AFFFFh | SA59 | 3B0000h | 3BFFFFh | SA12 | 0C0000h | 0CFFFFh |
| SA105 | 690000h | 69FFFFh | SA58 | 3A0000h | 3AFFFFh | SA11 | 0B0000h | 0BFFFFh |
| SA104 | 680000h | 68FFFFh | SA57 | 390000h | 39FFFFh | SA10 | 0A0000h | 0AFFFFh |
| SA103 | 670000h | 67FFFFh | SA56 | 380000h | 38FFFFh | SA9 | 090000h | 09FFFFh |
| SA102 | 660000h | 66FFFFh | SA55 | 370000h | 37FFFFh | SA8 | 080000h | 08FFFFh |
| SA101 | 650000h | 65FFFFh | SA54 | 360000h | 36FFFFh | SA7 | 070000h | 07FFFFh |
| SA100 | 640000h | 64FFFFh | SA53 | 350000h | 35FFFFh | SA6 | 060000h | 06FFFFh |
| SA99 | 630000h | 63FFFFh | SA52 | 340000h | 34FFFFh | SA5 | 050000h | 05FFFFh |
| SA98 | 620000h | 62FFFFh | SA51 | 330000h | 33FFFFh | SA4 | 040000h | 04FFFFh |
| SA97 | 610000h | 61FFFFh | SA50 | 320000h | 32FFFFh | SA3 | 030000h | 03FFFFh |
| SA96 | 600000h | 60FFFFh | SA49 | 310000h | 31FFFFh | SA2 | 020000h | 02FFFFh |
| SA95 | 5F0000h | 5FFFFFh | SA48 | 300000h | 30FFFFh | SA1 | 010000h | 01FFFFh |
| SA94 | 5E0000h | 5EFFFFh | SA47 | 2F0000h | 2FFFFFh | SA0 | 000000h | 00FFFFh |
| SA93 | 5D0000h | 5DFFFFh | SA46 | 2E0000h | 2EFFFFh | SS31 | 01F000h | 01FFFFh |
| SA92 | 5C0000h | 5CFFFFh | SA45 | 2D0000h | 2DFFFFh | SS30 | 01E000h | 01EFFFh |
| SA91 | 5B0000h | 5BFFFFh | SA44 | 2C0000h | 2CFFFFh | SS29 | 01D000h | 01DFFFh |
| SA90 | 5A0000h | 5AFFFFh | SA43 | 2B0000h | 2BFFFFh | SS28 | 01C000h | 01CFFFh |
| SA89 | 590000h | 59FFFFh | SA42 | 2A0000h | 2AFFFFh | SS27 | 01B000h | 01BFFFh |
| SA88 | 580000h | 58FFFFh | SA41 | 290000h | 29FFFFh | SS26 | 01A000h | 01AFFFh |
| SA87 | 570000h | 57FFFFh | SA40 | 280000h | 28FFFFh | SS25 | 019000h | 019FFFh |
| SA86 | 560000h | 56FFFFh | SA39 | 270000h | 27FFFFh | SS24 | 018000h | 018FFFh |
| SA85 | 550000h | 55FFFFh | SA38 | 260000h | 26FFFFh | SS23 | 017000h | 017FFFh |
| SA84 | 540000h | 54FFFFh | SA37 | 250000h | 25FFFFh | SS22 | 016000h | 016FFFh |
| SA83 | 530000h | 53FFFFh | SA36 | 240000h | 24FFFFh | SS21 | 015000h | 015FFFh |
| SA82 | 520000h | 52FFFFh | SA35 | 230000h | 23FFFFh | SS20 | 014000h | 014FFFh |
| SA81 | 510000h | 51FFFFh | SA34 | 220000h | 22FFFFh | SS19 | 013000h | 013FFFh |
| SA80 | 500000h | 50FFFFh | SA33 | 210000h | 21FFFFh | SS18 | 012000h | 012FFFh |
| SA79 | 4F0000h | 4FFFFFh | SA32 | 200000h | 20FFFFh | SS17 | 011000h | 011FFFh |
| SA78 | 4E0000h | 4EFFFFh | SA31 | 1F0000h | 1FFFFFh | SS16 | 010000h | 010FFFh |
| SA77 | 4D0000h | 4DFFFFh | SA30 | 1E0000h | 1EFFFFh | SS15 | 00F000h | 00FFFFh |
| SA76 | 4C0000h | 4CFFFFh | SA29 | 1D0000h | 1DFFFFh | SS14 | 00E000h | 00EFFFh |
| SA75 | 4B0000h | 4BFFFFh | SA28 | 1C0000h | 1CFFFFh | SS13 | 00D000h | 00DFFFh |
| SA74 | 4A0000h | 4AFFFFh | SA27 | 1B0000h | 1BFFFFh | SS12 | 00C000h | 00CFFFh |
| SA73 | 490000h | 49FFFFh | SA26 | 1A0000h | 1AFFFFh | SS11 | 00B000h | 00BFFFh |
| SA72 | 480000h | 48FFFFh | SA25 | 190000h | 19FFFFh | SS10 | 00A000h | 00AFFFh |
| SA71 | 470000h | 47FFFFh | SA24 | 180000h | 18FFFFh | SS9 | 009000h | 009FFFh |
| SA70 | 460000h | 46FFFFh | SA23 | 170000h | 17FFFFh | SS8 | 008000h | 008FFFh |
| SA69 | 450000h | 45FFFFh | SA22 | 160000h | 16FFFFh | SS7 | 007000h | 007FFFh |
| SA68 | 440000h | 44FFFFh | SA21 | 150000h | 15FFFFh | SS6 | 006000h | 006FFFh |
| SA67 | 430000h | 43FFFFh | SA20 | 140000h | 14FFFFh | SS5 | 005000h | 005FFFh |
| SA66 | 420000h | 42FFFFh | SA19 | 130000h | 13FFFFh | SS4 | 004000h | 004FFFh |
| SA65 | 410000h | 41FFFFh | SA18 | 120000h | 12FFFFh | SS3 | 003000h | 003FFFh |
| SA64 | 400000h | 40FFFFh | SA17 | 110000h | 11FFFFh | SS2 | 002000h | 002FFFh |
| SA63 | 3F0000h | 3FFFFFh | SA16 | 100000h | 10FFFFh | SS1 | 001000h | 001FFFh |
| SA62 | 3E0000h | 3EFFFFh | SA15 | 0F0000h | 0FFFFFh | SS0 | 000000h | 000FFFh |

Table 8.2 S25FL129P Sector Address Table (Uniform 64 KB sector, TBPARAM=0) (Sheet 2 of 2)

| Sector | Address Range | | Sector | Address Range | | Sector | Address Range | |
|--------|---------------|-------------|--------|---------------|-------------|--------|---------------|-------------|
| | Start Address | End Address | | Start Address | End Address | | Start Address | End Address |
| SA255 | FF0000h | FFFFFFh | SA206 | CE0000h | CEFFFFh | SA157 | 9D0000h | 9DFFFFh |
| SA254 | FE0000h | FEFFFFh | SA205 | CD0000h | CDFFFFh | SA156 | 9C0000h | 9CFFFFh |
| SA253 | FD0000h | FDFFFFh | SA204 | CC0000h | CCFFFFh | SA155 | 9B0000h | 9BFFFFh |
| SA252 | FC0000h | FCFFFFh | SA203 | CB0000h | CBFFFFh | SA154 | 9A0000h | 9AFFFFh |
| SA251 | FB0000h | FBFFFFh | SA202 | CA0000h | CAFFFFh | SA153 | 990000h | 99FFFFh |
| SA250 | FA0000h | FAFFFFh | SA201 | C90000h | C9FFFFh | SA152 | 980000h | 98FFFFh |
| SA249 | F90000h | F9FFFFh | SA200 | C80000h | C8FFFFh | SA151 | 970000h | 97FFFFh |
| SA248 | F80000h | F8FFFFh | SA199 | C70000h | C7FFFFh | SA150 | 960000h | 96FFFFh |
| SA247 | F70000h | F7FFFFh | SA198 | C60000h | C6FFFFh | SA149 | 950000h | 95FFFFh |
| SA246 | F60000h | F6FFFFh | SA197 | C50000h | C5FFFFh | SA148 | 940000h | 94FFFFh |
| SA245 | F50000h | F5FFFFh | SA196 | C40000h | C4FFFFh | SA147 | 930000h | 93FFFFh |
| SA244 | F40000h | F4FFFFh | SA195 | C30000h | C3FFFFh | SA146 | 920000h | 92FFFFh |
| SA243 | F30000h | F3FFFFh | SA194 | C20000h | C2FFFFh | SA145 | 910000h | 91FFFFh |
| SA242 | F20000h | F2FFFFh | SA193 | C10000h | C1FFFFh | SA144 | 900000h | 90FFFFh |
| SA241 | F10000h | F1FFFFh | SA192 | C00000h | C0FFFFh | SA143 | 8F0000h | 8FFFFh |
| SA240 | F00000h | F0FFFFh | SA191 | BF0000h | BFFFFh | SA142 | 8E0000h | 8EFFFFh |
| SA239 | EF0000h | EFFFFFh | SA190 | BE0000h | BEFFFFh | SA141 | 8D0000h | 8DFFFFh |
| SA238 | EE0000h | EEFFFFh | SA189 | BD0000h | BDFFFFh | SA140 | 8C0000h | 8CFFFFh |
| SA237 | ED0000h | EDFFFFh | SA188 | BC0000h | BCFFFFh | SA139 | 8B0000h | 8BFFFFh |
| SA236 | EC0000h | ECFFFFh | SA187 | BB0000h | BBFFFFh | SA138 | 8A0000h | 8AFFFFh |
| SA235 | EB0000h | EBFFFFh | SA186 | BA0000h | BAFFFFh | SA137 | 890000h | 89FFFFh |
| SA234 | EA0000h | EAFFFFh | SA185 | B90000h | B9FFFFh | SA136 | 880000h | 88FFFFh |
| SA233 | E90000h | E9FFFFh | SA184 | B80000h | B8FFFFh | SA135 | 870000h | 87FFFFh |
| SA232 | E80000h | E8FFFFh | SA183 | B70000h | B7FFFFh | SA134 | 860000h | 86FFFFh |
| SA231 | E70000h | E7FFFFh | SA182 | B60000h | B6FFFFh | SA133 | 850000h | 85FFFFh |
| SA230 | E60000h | E6FFFFh | SA181 | B50000h | B5FFFFh | SA132 | 840000h | 84FFFFh |
| SA229 | E50000h | E5FFFFh | SA180 | B40000h | B4FFFFh | SA131 | 830000h | 83FFFFh |
| SA228 | E40000h | E4FFFFh | SA179 | B30000h | B3FFFFh | SA130 | 820000h | 82FFFFh |
| SA227 | E30000h | E3FFFFh | SA178 | B20000h | B2FFFFh | SA129 | 810000h | 81FFFFh |
| SA226 | E20000h | E2FFFFh | SA177 | B10000h | B1FFFFh | SA128 | 800000h | 80FFFFh |
| SA225 | E10000h | E1FFFFh | SA176 | B00000h | B0FFFFh | SA127 | 7F0000h | 7FFFFh |
| SA224 | E00000h | E0FFFFh | SA175 | AF0000h | AFFFFh | SA126 | 7E0000h | 7EFFFFh |
| SA223 | DF0000h | DFFFFFh | SA174 | AE0000h | AFFFFh | SA125 | 7D0000h | 7DFFFFh |
| SA222 | DE0000h | DEFFFFh | SA173 | AD0000h | ADFFFFh | SA124 | 7C0000h | 7CFFFFh |
| SA221 | DD0000h | DDFFFFh | SA172 | AC0000h | ACFFFFh | SA123 | 7B0000h | 7BFFFFh |
| SA220 | DC0000h | DCFFFFh | SA171 | AB0000h | ABFFFFh | SA122 | 7A0000h | 7AFFFFh |
| SA219 | DB0000h | DBFFFFh | SA170 | AA0000h | AFFFFh | SA121 | 790000h | 79FFFFh |
| SA218 | DA0000h | DAFFFFh | SA169 | A90000h | A9FFFFh | SA120 | 780000h | 78FFFFh |
| SA217 | D90000h | D9FFFFh | SA168 | A80000h | A8FFFFh | SA119 | 770000h | 77FFFFh |
| SA216 | D80000h | D8FFFFh | SA167 | A70000h | A7FFFFh | SA118 | 760000h | 76FFFFh |
| SA215 | D70000h | D7FFFFh | SA166 | A60000h | A6FFFFh | SA117 | 750000h | 75FFFFh |
| SA214 | D60000h | D6FFFFh | SA165 | A50000h | A5FFFFh | SA116 | 740000h | 74FFFFh |
| SA213 | D50000h | D5FFFFh | SA164 | A40000h | A4FFFFh | SA115 | 730000h | 73FFFFh |
| SA212 | D40000h | D4FFFFh | SA163 | A30000h | A3FFFFh | SA114 | 720000h | 72FFFFh |
| SA211 | D30000h | D3FFFFh | SA162 | A20000h | A2FFFFh | SA113 | 710000h | 71FFFFh |
| SA210 | D20000h | D2FFFFh | SA161 | A10000h | A1FFFFh | SA112 | 700000h | 70FFFFh |
| SA209 | D10000h | D1FFFFh | SA160 | A00000h | A0FFFFh | SA111 | 6F0000h | 6FFFFh |
| SA208 | D00000h | D0FFFFh | SA159 | 9F0000h | 9FFFFh | SA110 | 6E0000h | 6EFFFFh |
| SA207 | CF0000h | CEFFFFh | SA158 | 9E0000h | 9EFFFFh | SA109 | 6D0000h | 6DFFFFh |

Note

Sector SA0 is split up into sub-sectors SS0 - SS15 (dark gray shading)

Sector SA1 is split up into sub-sectors SS16 - SS31 (light gray shading)

Table 8.3 S25FL129P Sector Address Table (Uniform 64 KB sector, TBPARM=1) (Sheet 1 of 2)

| Sector | Address Range | | Sector | Address Range | | Sector | Address Range | |
|--------|---------------|-------------|--------|---------------|-------------|--------|---------------|-------------|
| | Start Address | End Address | | Start Address | End Address | | Start Address | End Address |
| SS31 | FFF000h | FFFFFFh | SA239 | EF0000h | FFFFFFh | SA191 | BF0000h | BFFFFFFh |
| SS30 | FFE000h | FEFFFFh | SA238 | EE0000h | EFFFFFFh | SA190 | BE0000h | BEFFFFh |
| SS29 | FFD000h | FFDFFFh | SA237 | ED0000h | EDFFFFh | SA189 | BD0000h | BDFFFFh |
| SS28 | FFC000h | FFCFFFh | SA236 | EC0000h | ECFFFFh | SA188 | BC0000h | BCFFFFh |
| SS27 | FFB000h | FFBFFFh | SA235 | EB0000h | EBFFFFh | SA187 | BB0000h | BBFFFFh |
| SS26 | FFA000h | FFAFFFh | SA234 | EA0000h | EAFFFFh | SA186 | BA0000h | BAFFFFh |
| SS25 | FF9000h | FF9FFFh | SA233 | E90000h | E9FFFFh | SA185 | B90000h | B9FFFFh |
| SS24 | FF8000h | FF8FFFh | SA232 | E80000h | E8FFFFh | SA184 | B80000h | B8FFFFh |
| SS23 | FF7000h | FF7FFFh | SA231 | E70000h | E7FFFFh | SA183 | B70000h | B7FFFFh |
| SS22 | FF6000h | FF6FFFh | SA230 | E60000h | E6FFFFh | SA182 | B60000h | B6FFFFh |
| SS21 | FF5000h | FF5FFFh | SA229 | E50000h | E5FFFFh | SA181 | B50000h | B5FFFFh |
| SS20 | FF4000h | FF4FFFh | SA228 | E40000h | E4FFFFh | SA180 | B40000h | B4FFFFh |
| SS19 | FF3000h | FF3FFFh | SA227 | E30000h | E3FFFFh | SA179 | B30000h | B3FFFFh |
| SS18 | FF2000h | FF2FFFh | SA226 | E20000h | E2FFFFh | SA178 | B20000h | B2FFFFh |
| SS17 | FF1000h | FF1FFFh | SA225 | E10000h | E1FFFFh | SA177 | B10000h | B1FFFFh |
| SS16 | FF0000h | FF0FFFh | SA224 | E00000h | E0FFFFh | SA176 | B00000h | B0FFFFh |
| SS15 | FEF000h | FEFFFFh | SA223 | DF0000h | DFFFFFh | SA175 | AF0000h | AFFFFFFh |
| SS14 | FEE000h | FEFFFFh | SA222 | DE0000h | DEFFFFh | SA174 | AE0000h | AFFFFFFh |
| SS13 | FED000h | FEDFFFh | SA221 | DD0000h | DDFFFFh | SA173 | AD0000h | ADFFFFh |
| SS12 | FEC000h | FECFFFh | SA220 | DC0000h | DCFFFFh | SA172 | AC0000h | ACFFFFh |
| SS11 | FEB000h | FEBFFFh | SA219 | DB0000h | DBFFFFh | SA171 | AB0000h | ABFFFFh |
| SS10 | FEA000h | FEAFFFh | SA218 | DA0000h | DAFFFFh | SA170 | AA0000h | AFFFFFFh |
| SS9 | FE9000h | FE9FFFh | SA217 | D90000h | D9FFFFh | SA169 | A90000h | A9FFFFh |
| SS8 | FE8000h | FE8FFFh | SA216 | D80000h | D8FFFFh | SA168 | A80000h | A8FFFFh |
| SS7 | FE7000h | FE7FFFh | SA215 | D70000h | D7FFFFh | SA167 | A70000h | A7FFFFh |
| SS6 | FE6000h | FE6FFFh | SA214 | D60000h | D6FFFFh | SA166 | A60000h | A6FFFFh |
| SS5 | FE5000h | FE5FFFh | SA213 | D50000h | D5FFFFh | SA165 | A50000h | A5FFFFh |
| SS4 | FE4000h | FE4FFFh | SA212 | D40000h | D4FFFFh | SA164 | A40000h | A4FFFFh |
| SS3 | FE3000h | FE3FFFh | SA211 | D30000h | D3FFFFh | SA163 | A30000h | A3FFFFh |
| SS2 | FE2000h | FE2FFFh | SA210 | D20000h | D2FFFFh | SA162 | A20000h | A2FFFFh |
| SS1 | FE1000h | FE1FFFh | SA209 | D10000h | D1FFFFh | SA161 | A10000h | A1FFFFh |
| SS0 | FE0000h | FE0FFFh | SA208 | D00000h | D0FFFFh | SA160 | A00000h | A0FFFFh |
| SA255 | FF0000h | FFFFFFh | SA207 | CF0000h | CFFFFFFh | SA159 | 9F0000h | 9FFFFFFh |
| SA254 | FE0000h | FEFFFFh | SA206 | CE0000h | CEFFFFh | SA158 | 9E0000h | 9EFFFFh |
| SA253 | FD0000h | FDFFFFh | SA205 | CD0000h | CDFFFFh | SA157 | 9D0000h | 9DFFFFh |
| SA252 | FC0000h | FCFFFFh | SA204 | CC0000h | CCFFFFh | SA156 | 9C0000h | 9CFFFFh |
| SA251 | FB0000h | FBFFFFh | SA203 | CB0000h | CBFFFFh | SA155 | 9B0000h | 9BFFFFh |
| SA250 | FA0000h | FAFFFFh | SA202 | CA0000h | CAFFFFh | SA154 | 9A0000h | 9AFFFFh |
| SA249 | F90000h | F9FFFFh | SA201 | C90000h | C9FFFFh | SA153 | 990000h | 99FFFFh |
| SA248 | F80000h | F8FFFFh | SA200 | C80000h | C8FFFFh | SA152 | 980000h | 98FFFFh |
| SA247 | F70000h | F7FFFFh | SA199 | C70000h | C7FFFFh | SA151 | 970000h | 97FFFFh |
| SA246 | F60000h | F6FFFFh | SA198 | C60000h | C6FFFFh | SA150 | 960000h | 96FFFFh |
| SA245 | F50000h | F5FFFFh | SA197 | C50000h | C5FFFFh | SA149 | 950000h | 95FFFFh |
| SA244 | F40000h | F4FFFFh | SA196 | C40000h | C4FFFFh | SA148 | 940000h | 94FFFFh |
| SA243 | F30000h | F3FFFFh | SA195 | C30000h | C3FFFFh | SA147 | 930000h | 93FFFFh |
| SA242 | F20000h | F2FFFFh | SA194 | C20000h | C2FFFFh | SA146 | 920000h | 92FFFFh |
| SA241 | F10000h | F1FFFFh | SA193 | C10000h | C1FFFFh | SA145 | 910000h | 91FFFFh |
| SA240 | F00000h | F0FFFFh | SA192 | C00000h | C0FFFFh | SA144 | 900000h | 90FFFFh |

Table 8.3 S25FL129P Sector Address Table (Uniform 64 KB sector, TBPARM=1) (Sheet 2 of 2)

| Sector | Address Range | | Sector | Address Range | | Sector | Address Range | |
|--------|---------------|-------------|--------|---------------|-------------|--------|---------------|-------------|
| | Start Address | End Address | | Start Address | End Address | | Start Address | End Address |
| SA143 | 8F0000h | 8FFFFFh | SA95 | 5F0000h | 5FFFFFh | SA47 | 2F0000h | 2FFFFFh |
| SA142 | 8E0000h | 8EFFFFh | SA94 | 5E0000h | 5EFFFFh | SA46 | 2E0000h | 2EFFFFh |
| SA141 | 8D0000h | 8DFFFFh | SA93 | 5D0000h | 5DFFFFh | SA45 | 2D0000h | 2DFFFFh |
| SA140 | 8C0000h | 8CFFFFh | SA92 | 5C0000h | 5CFFFFh | SA44 | 2C0000h | 2CFFFFh |
| SA139 | 8B0000h | 8BFFFFh | SA91 | 5B0000h | 5BFFFFh | SA43 | 2B0000h | 2BFFFFh |
| SA138 | 8A0000h | 8AFFFFh | SA90 | 5A0000h | 5AFFFFh | SA42 | 2A0000h | 2AFFFFh |
| SA137 | 890000h | 89FFFFh | SA89 | 590000h | 59FFFFh | SA41 | 290000h | 29FFFFh |
| SA136 | 880000h | 88FFFFh | SA88 | 580000h | 58FFFFh | SA40 | 280000h | 28FFFFh |
| SA135 | 870000h | 87FFFFh | SA87 | 570000h | 57FFFFh | SA39 | 270000h | 27FFFFh |
| SA134 | 860000h | 86FFFFh | SA86 | 560000h | 56FFFFh | SA38 | 260000h | 26FFFFh |
| SA133 | 850000h | 85FFFFh | SA85 | 550000h | 55FFFFh | SA37 | 250000h | 25FFFFh |
| SA132 | 840000h | 84FFFFh | SA84 | 540000h | 54FFFFh | SA36 | 240000h | 24FFFFh |
| SA131 | 830000h | 83FFFFh | SA83 | 530000h | 53FFFFh | SA35 | 230000h | 23FFFFh |
| SA130 | 820000h | 82FFFFh | SA82 | 520000h | 52FFFFh | SA34 | 220000h | 22FFFFh |
| SA129 | 810000h | 81FFFFh | SA81 | 510000h | 51FFFFh | SA33 | 210000h | 21FFFFh |
| SA128 | 800000h | 80FFFFh | SA80 | 500000h | 50FFFFh | SA32 | 200000h | 20FFFFh |
| SA127 | 7F0000h | 7FFFFFh | SA79 | 4F0000h | 4FFFFFh | SA31 | 1F0000h | 1FFFFFh |
| SA126 | 7E0000h | 7EFFFFh | SA78 | 4E0000h | 4EFFFFh | SA30 | 1E0000h | 1EFFFFh |
| SA125 | 7D0000h | 7DFFFFh | SA77 | 4D0000h | 4DFFFFh | SA29 | 1D0000h | 1DFFFFh |
| SA124 | 7C0000h | 7CFFFFh | SA76 | 4C0000h | 4CFFFFh | SA28 | 1C0000h | 1CFFFFh |
| SA123 | 7B0000h | 7BFFFFh | SA75 | 4B0000h | 4BFFFFh | SA27 | 1B0000h | 1BFFFFh |
| SA122 | 7A0000h | 7AFFFFh | SA74 | 4A0000h | 4AFFFFh | SA26 | 1A0000h | 1AFFFFh |
| SA121 | 790000h | 79FFFFh | SA73 | 490000h | 49FFFFh | SA25 | 190000h | 19FFFFh |
| SA120 | 780000h | 78FFFFh | SA72 | 480000h | 48FFFFh | SA24 | 180000h | 18FFFFh |
| SA119 | 770000h | 77FFFFh | SA71 | 470000h | 47FFFFh | SA23 | 170000h | 17FFFFh |
| SA118 | 760000h | 76FFFFh | SA70 | 460000h | 46FFFFh | SA22 | 160000h | 16FFFFh |
| SA117 | 750000h | 75FFFFh | SA69 | 450000h | 45FFFFh | SA21 | 150000h | 15FFFFh |
| SA116 | 740000h | 74FFFFh | SA68 | 440000h | 44FFFFh | SA20 | 140000h | 14FFFFh |
| SA115 | 730000h | 73FFFFh | SA67 | 430000h | 43FFFFh | SA19 | 130000h | 13FFFFh |
| SA114 | 720000h | 72FFFFh | SA66 | 420000h | 42FFFFh | SA18 | 120000h | 12FFFFh |
| SA113 | 710000h | 71FFFFh | SA65 | 410000h | 41FFFFh | SA17 | 110000h | 11FFFFh |
| SA112 | 700000h | 70FFFFh | SA64 | 400000h | 40FFFFh | SA16 | 100000h | 10FFFFh |
| SA111 | 6F0000h | 6FFFFFh | SA63 | 3F0000h | 3FFFFFh | SA15 | 0F0000h | 0FFFFFh |
| SA110 | 6E0000h | 6EFFFFh | SA62 | 3E0000h | 3EFFFFh | SA14 | 0E0000h | 0EFFFFh |
| SA109 | 6D0000h | 6DFFFFh | SA61 | 3D0000h | 3DFFFFh | SA13 | 0D0000h | 0DFFFFh |
| SA108 | 6C0000h | 6CFFFFh | SA60 | 3C0000h | 3CFFFFh | SA12 | 0C0000h | 0CFFFFh |
| SA107 | 6B0000h | 6BFFFFh | SA59 | 3B0000h | 3BFFFFh | SA11 | 0B0000h | 0BFFFFh |
| SA106 | 6A0000h | 6AFFFFh | SA58 | 3A0000h | 3AFFFFh | SA10 | 0A0000h | 0AFFFFh |
| SA105 | 690000h | 69FFFFh | SA57 | 390000h | 39FFFFh | SA9 | 090000h | 09FFFFh |
| SA104 | 680000h | 68FFFFh | SA56 | 380000h | 38FFFFh | SA8 | 080000h | 08FFFFh |
| SA103 | 670000h | 67FFFFh | SA55 | 370000h | 37FFFFh | SA7 | 070000h | 07FFFFh |
| SA102 | 660000h | 66FFFFh | SA54 | 360000h | 36FFFFh | SA6 | 060000h | 06FFFFh |
| SA101 | 650000h | 65FFFFh | SA53 | 350000h | 35FFFFh | SA5 | 050000h | 05FFFFh |
| SA100 | 640000h | 64FFFFh | SA52 | 340000h | 34FFFFh | SA4 | 040000h | 04FFFFh |
| SA99 | 630000h | 63FFFFh | SA51 | 330000h | 33FFFFh | SA3 | 030000h | 03FFFFh |
| SA98 | 620000h | 62FFFFh | SA50 | 320000h | 32FFFFh | SA2 | 020000h | 02FFFFh |
| SA97 | 610000h | 61FFFFh | SA49 | 310000h | 31FFFFh | SA1 | 010000h | 01FFFFh |
| SA96 | 600000h | 60FFFFh | SA48 | 300000h | 30FFFFh | SA0 | 000000h | 00FFFFh |

Note
 Sector SA254 is split up into sub-sectors SS0 - SS15 (dark gray shading)
 Sector SA255 is split up into sub-sectors SS16 - SS31 (light gray shading)

9. Command Definitions

The host system must shift all commands, addresses, and data in and out of the device, beginning with the most significant bit. On the first rising edge of SCK after CS# is driven low, the device accepts the one-byte command on SI (all commands are one byte long), most significant bit first. Each successive bit is latched on the rising edge of SCK. [Table 9.1](#) lists the complete set of commands.

Every command sequence begins with a one-byte command code. The command may be followed by address, data, both, or nothing, depending on the command. CS# must be driven high after the last bit of the command sequence has been written.

The Read Data Bytes (READ), Read Data Bytes at Higher Speed (FAST_READ), Dual Output Read (DOR), Quad Output Read (QOR), Dual I/O High Performance Read (DIOR), Quad I/O High Performance Read (QIOR), Read Status Register (RDSR), Read Configuration Register (RCR), Read OTP Data (OTPR), Read Manufacturer and Device ID (READ_ID), Read Identification (RDID) and Release from Deep Power-Down and Read Electronic Signature (RES) command sequences are followed by a data output sequence on SO. CS# can be driven high after any bit of the sequence is output to terminate the operation.

The Page Program (PP), Quad Page Program (QPP), 64 KB Sector Erase (SE), 4 KB Parameter Sector Erase (P4E), 8 KB Parameter Sector Erase (P8E), Bulk Erase (BE), Write Status and Configuration Registers (WRR), Program OTP space (OTPP), Write Enable (WREN), or Write Disable (WRDI) commands require that CS# be driven high at a byte boundary, otherwise the command is not executed. Since a byte is composed of eight bits, CS# must therefore be driven high when the number of clock pulses after CS# is driven low is an exact multiple of eight.

The device ignores any attempt to access the memory array during a Write Registers, program, or erase operation, and continues the operation uninterrupted.

The instruction set is listed in [Table 9.1](#).

Table 9.1 Instruction Set

| Operation | Command | One byte Command Code | Description | Address Byte Cycle | Mode Bit Cycle | Dummy Byte Cycle | Data Byte Cycle |
|-----------------------------------|-----------|------------------------------------|---|--------------------|----------------|------------------|-----------------|
| Read | READ | (03h) 0000 0011 | Read Data bytes | 3 | 0 | 0 | 1 to ∞ |
| | FAST_READ | (0Bh) 0000 1011 | Read Data bytes at Fast Speed | 3 | 0 | 1 | 1 to ∞ |
| | DOR | (3Bh) 0011 1011 | Dual Output Read | 3 | 0 | 1 | 1 to ∞ |
| | QOR | (6Bh) 0110 1011 | Quad Output Read | 3 | 0 | 1 | 1 to ∞ |
| | DIOR | (BBh) 1011 1011 | Dual I/O High Performance Read | 3 | 1 | 0 | 1 to ∞ |
| | QIOR | (EBh) 1110 1011 | Quad I/O High Performance Read | 3 | 1 | 2 | 1 to ∞ |
| | RDID | (9Fh) 1001 1111 | Read Identification | 0 | 0 | 0 | 1 to 81 |
| | READ_ID | (90h) 1001 0000 | Read Manufacturer and Device Identification | 3 | 0 | 0 | 1 to ∞ |
| Write Control | WREN | (06h) 0000 0110 | Write Enable | 0 | 0 | 0 | 0 |
| | WRDI | (04h) 0000 0100 | Write Disable | 0 | 0 | 0 | 0 |
| Erase | P4E (1) | (20h) 0010 0000 | 4 KB Parameter Sector Erase | 3 | 0 | 0 | 0 |
| | P8E (1) | (40h) 0100 0000 | 8 KB (two 4KB) Parameter Sector Erase | 3 | 0 | 0 | 0 |
| | SE | (D8h) 1101 1000 | 64 KB and 256 KB Sector Erase | 3 | 0 | 0 | 0 |
| | BE | (60h) 0110 0000 or (C7h) 1100 0111 | Bulk Erase | 0 | 0 | 0 | 0 |
| Program | PP | (02h) 0000 0010 | Page Programming | 3 | 0 | 0 | 1 to 256 |
| | QPP | (32h) 0011 0010 | Quad Page Programming | 3 | 0 | 0 | 1 to 256 |
| Status and Configuration Register | RDSR | (05h) 0000 0101 | Read Status Register | 0 | 0 | 0 | 1 to ∞ |
| | WRR | (01h) 0000 0001 | Write (Status and Configuration) Register | 0 | 0 | 0 | 1 to 2 |
| | RCR | (35h) 0011 0101 | Read Configuration Register (CFG) | 0 | 0 | 0 | 1 to ∞ |
| | CLSR | (30h) 0011 0000 | Reset the Erase and Program Fail Flag (SRS and SR6) and restore normal operation) | 0 | 0 | 0 | 0 |
| Power Saving | DP | (B9h) 1011 1001 | Deep Power-Down | 0 | 0 | 0 | 0 |
| | RES | (ABh) 1010 1011 | Release from Deep Power-Down Mode | 0 | 0 | 0 | 0 |
| | | (ABh) 1010 1011 | Release from Deep Power-Down and Read Electronic Signature | 0 | 0 | 3 | 1 to ∞ |
| OTP | OTPP | (42h) 0100 0010 | Program one byte of data in OTP memory space | 3 | 0 | 0 | 1 |
| | OTPR | (4Bh) 0100 1011 | Read data in the OTP memory space | 3 | 0 | 1 | 1 to ∞ |

Note

1. For uniform 64 KB sector device only.

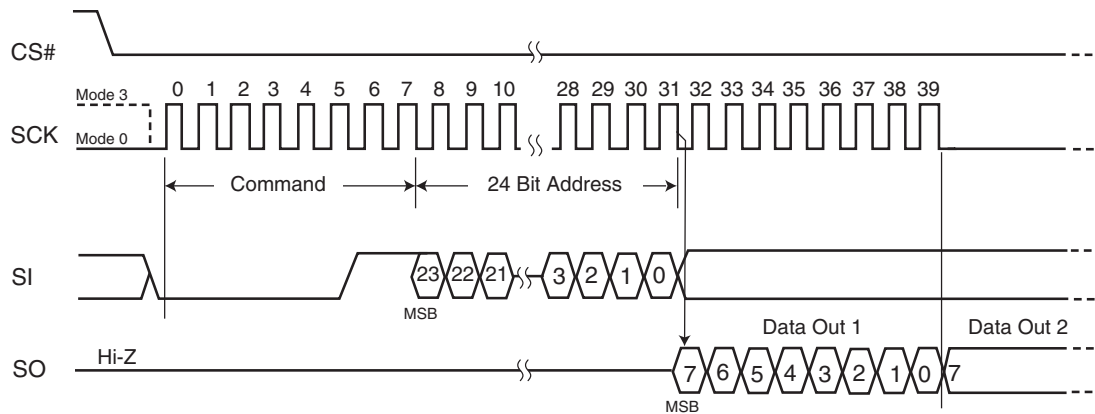
9.1 Read Data Bytes (READ)

The Read Data Bytes (READ) command reads data from the memory array at the frequency (f_R) presented at the SCK input, with a maximum speed of 40 MHz. The host system must first select the device by driving CS# low. The READ command is then written to SI, followed by a 3 byte address (A23-A0). Each bit is latched on the rising edge of SCK. The memory array data, at that address, are output serially on SO at a frequency f_R , on the falling edge of SCK.

Figure 9.1 and Table 9.1 on page 25 detail the READ command sequence. The first address byte specified can start at any location of the memory array. The device automatically increments to the next higher address after each byte of data is output. The entire memory array can therefore be read with a single READ command. When the highest address is reached, the address counter reverts to 00000h, allowing the read sequence to continue indefinitely.

The READ command is terminated by driving CS# high at any time during data output. The device rejects any READ command issued while it is executing a program, erase, or Write Registers operation, and continues the operation uninterrupted.

Figure 9.1 Read Data Bytes (READ) Command Sequence



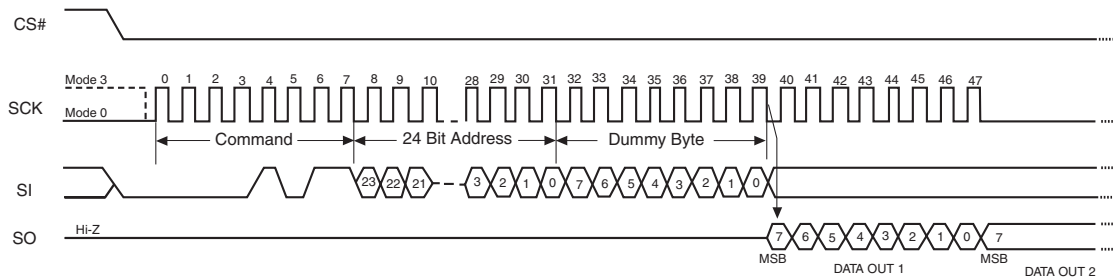
9.2 Read Data Bytes at Higher Speed (FAST_READ)

The FAST_READ command reads data from the memory array at the frequency (f_C) presented at the SCK input, with a maximum speed of 104 MHz. The host system must first select the device by driving CS# low. The FAST_READ command is then written to SI, followed by a 3 byte address (A23-A0) and a dummy byte. Each bit is latched on the rising edge of SCK. The memory array data, at that address, are output serially on SO at a frequency f_C , on the falling edge of SCK.

The FAST_READ command sequence is shown in [Figure 9.2](#) and [Table 9.1 on page 25](#). The first address byte specified can start at any location of the memory array. The device automatically increments to the next higher address after each byte of data is output. The entire memory array can therefore be read with a single FAST_READ command. When the highest address is reached, the address counter reverts to 000000h, allowing the read sequence to continue indefinitely.

The FAST_READ command is terminated by driving CS# high at any time during data output. The device rejects any FAST_READ command issued while it is executing a program, erase, or Write Registers operation, and continues the operation uninterrupted.

Figure 9.2 Read Data Bytes at Higher Speed (FAST_READ) Command Sequence



9.3 Dual Output Read Mode (DOR)

The Dual Output Read instruction is similar to the FAST_READ instruction, except that the data is shifted out 2 bits at a time using 2 pins (SI/IO0 and SO/IO1) instead of 1 bit, at a maximum frequency of 80 MHz. The Dual Output Read mode effectively doubles the data transfer rate compared to the FAST_READ instruction.

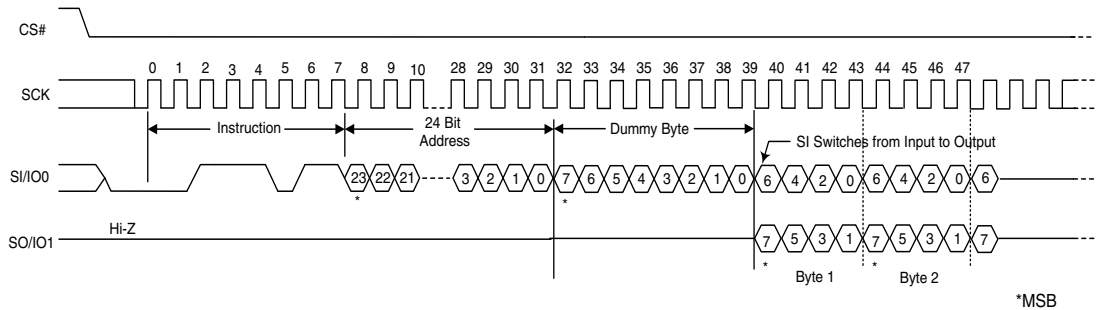
The host system must first select the device by driving CS# low. The Dual Output Read command is then written to SI, followed by a 3-byte address (A23-A0) and a dummy byte. Each bit is latched on the rising edge of SCK. Then the memory contents, at the address that is given, are shifted out two bits at a time through the IO0 (SI) and IO1 (SO) pins at a frequency f_C on the falling edge of SCK.

The Dual Output Read command sequence is shown in Figure 9.3 and Table 9.1 on page 25. The first address byte specified can start at any location of the memory array. The device automatically increments to the next higher address after each byte of data is output. The entire memory array can therefore be read with a single Dual Output Read command. When the highest address is reached, the address counter reverts to 0000h, allowing the read sequence to continue indefinitely.

It is important that the I/O pins be set to high-impedance prior to the falling edge of the first data out clock.

The Dual Output Read command is terminated by driving CS# high at any time during data output. The device rejects any Dual Output Read command issued while it is executing a program, erase, or Write Registers operation, and continues the operation uninterrupted.

Figure 9.3 Dual Output Read Instruction Sequence



9.4 Quad Output Read Mode (QOR)

The Quad Output Read instruction is similar to the FAST_READ instruction, except that the data is shifted out 4 bits at a time using 4 pins (SI/IO0, SO/IO1, W#/ACC/IO2 and HOLD#/IO3) instead of 1 bit, at a maximum frequency of 80 MHz. The Quad Output Read mode effectively doubles the data transfer rate compared to the Dual Output Read instruction, and is four times the data transfer rate of the FAST_READ instruction.

The host system must first select the device by driving CS# low. The Quad Output Read command is then written to SI, followed by a 3-byte address (A23-A0) and a dummy byte. Each bit is latched on the rising edge of SCK. Then the memory contents, at the address that are given, are shifted out four bits at a time through IO0 (SI), IO1 (SO), IO2 (W#/ACC), and IO3 (HOLD#) pins at a frequency f_C on the falling edge of SCK.

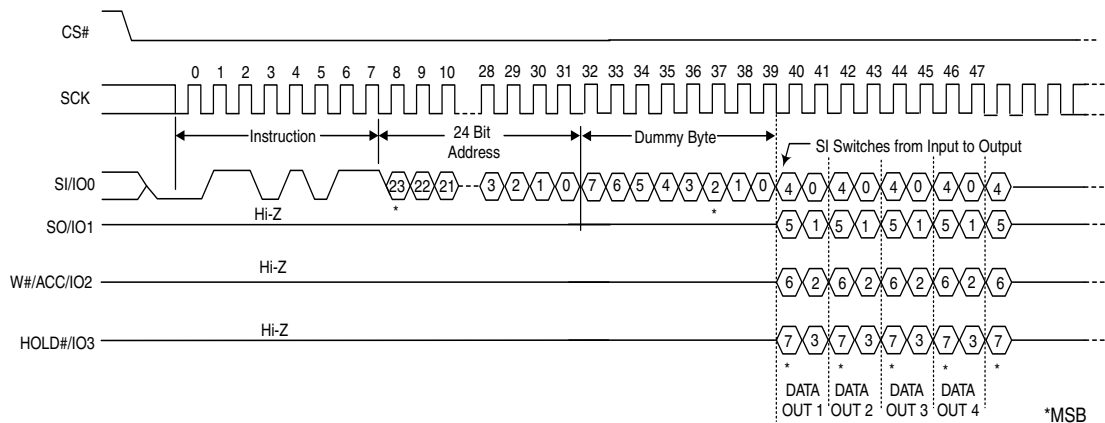
The Quad Output Read command sequence is shown in Figure 9.4 and Table 9.1 on page 25. The first address byte specified can start at any location of the memory array. The device automatically increments to the next higher address after each byte of data is output. The entire memory array can therefore be read with a single Quad Output Read command. When the highest address is reached, the address counter reverts to 0000h, allowing the read sequence to continue indefinitely.

It is important that the I/O pins be set to high-impedance prior to the falling edge of the first data out clock.

The Quad Output Read command is terminated by driving CS# high at any time during data output. The device rejects any Quad Output Read command issued while it is executing a program, erase, or Write Registers operation, and continues the operation uninterrupted.

The Quad bit of Configuration Register must be set (CR Bit1 = 1) to enable the Quad mode capability of the S25FL device.

Figure 9.4 Quad Output Read Instruction Sequence



9.5 DUAL I/O High Performance Read Mode (DIOR)

The Dual I/O High Performance Read instruction is similar to the Dual Output Read instruction, except that it improves throughput by allowing input of the address bits (A23-A0) using two bits per SCK via two input pins (SI/IO2 and SO/IO1), at a maximum frequency of 80 MHz.

The host system must first select the device by driving CS# low. The Dual I/O High Performance Read command is then written to SI, followed by a 3-byte address (A23-A0) and a 1-byte Mode instruction, with two bits latched on the rising edge of SCK. Then the memory contents, at the address that is given, are shifted out two bits at a time through IO0 (SI) and IO1 (SO).

The DUAL I/O High Performance Read command sequence is shown in [Figure 9.5](#) and [Table 9.1 on page 25](#). The first address byte specified can start at any location of the memory array. The device automatically increments to the next higher address after each byte of data is output. The entire memory array can therefore be read with a single DUAL I/O High Performance Read command. When the highest address is reached, the address counter reverts to 00000h, allowing the read sequence to continue indefinitely.

In addition, address jumps can be done without exiting the Dual I/O High Performance Mode through the setting of the Mode bits (after the Address (A23-0) sequence, as shown in [Figure 9.5](#)). This added feature removes the need for the instruction sequence and greatly improves code execution (XIP). The upper nibble (bits 7-4) of the Mode bits control the length of the next Dual I/O High Performance instruction through the inclusion or exclusion of the first byte instruction code. The lower nibble (bits 3-0) of the Mode bits are DON'T CARE ("x"). If the Mode bits equal Axh, then the device remains in Dual I/O High Performance Read Mode and the next address can be entered (after CS# is raised high and then asserted low) without requiring the BBh instruction opcode, as shown in [Figure 9.6](#), thus eliminating eight cycles for the instruction sequence. However, if the Mode bits are any value other than Axh, then the next instruction (after CS# is raised high and then asserted low) requires the instruction sequence, which is normal operation. The following sequences will release the device from Dual I/O High Performance Read mode; after which, the device can accept standard SPI instructions:

1. During the Dual I/O High Performance Instruction Sequence, if the Mode bits are any value other than Axh, then the next time CS# is raised high and then asserted low, the device will be released from Dual I/O High Performance Read mode.
2. Furthermore, during any operation, if CS# toggles high to low to high for eight cycles (or less) **and** data input (IO0 and IO1) are not set for a valid instruction sequence, then the device will be released from Dual I/O High Performance Read mode.

It is important that the I/O pins be set to high-impedance prior to the falling edge of the first data out clock.

The read instruction can be terminated by driving the CS# pin to the logic high state. The CS# pin can be driven high at any time during data output to terminate a read operation.

Figure 9.5 DUAL I/O High Performance Read Instruction Sequence

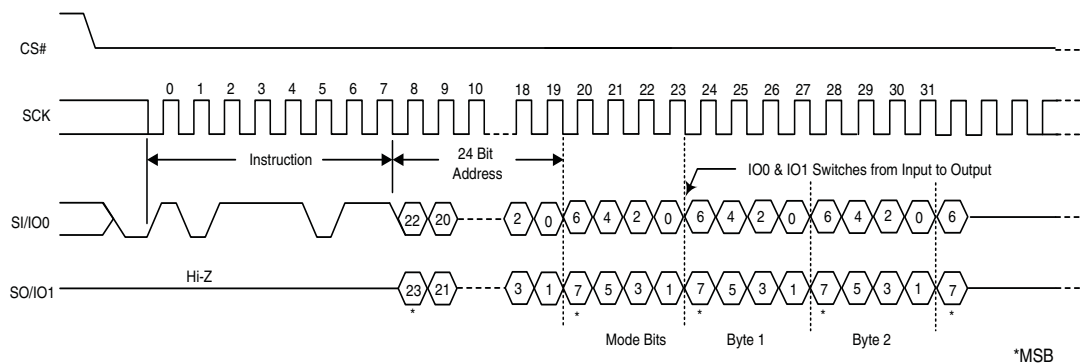
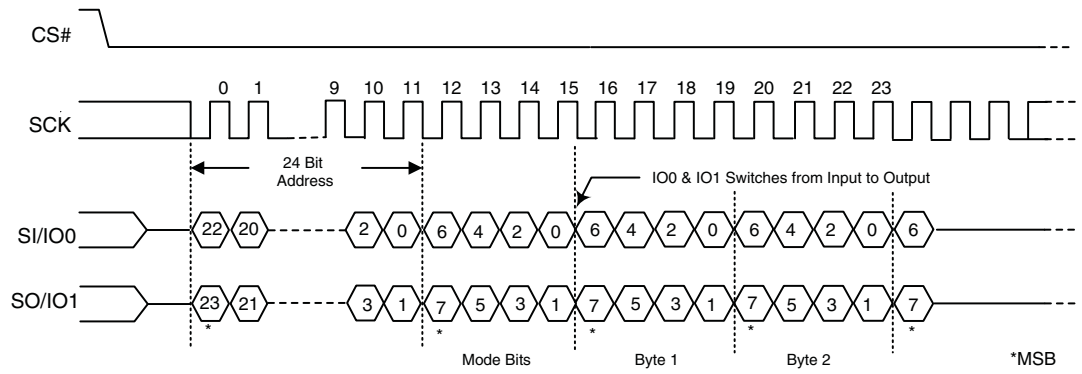


Figure 9.6 Continuous Dual I/O High Performance Read Instruction Sequence



9.6 Quad I/O High Performance Read Mode (QIOR)

The Quad I/O High Performance Read instruction is similar to the Quad Output Read instruction, except that it further improves throughput by allowing input of the address bits (A23-A0) using 4 bits per SCK via four input pins (SI/IO0, SO/IO1, W#/ACC/IO2 and HOLD#/IO3), at a maximum frequency of 80 MHz.

The host system must first select the device by driving CS# low. The Quad I/O High Performance Read command is then written to SI, followed by a 3-byte address (A23-A0) and a 1-byte Mode instruction, with four bits latched on the rising edge of SCK. Note that four dummy clocks are required prior to the data input. Then the memory contents, at the address that is given, are shifted out four bits at a time through IO0 (SI), IO1 (SO), IO2 (W#/ACC), and IO3 (HOLD#).

The Quad I/O High Performance Read command sequence is shown in Figure 9.7 and Table 9.1 on page 25. The first address byte specified can start at any location of the memory array. The device automatically increments to the next higher address after each byte of data is output. The entire memory array can therefore be read with a single Quad I/O High Performance Read command. When the highest address is reached, the address counter reverts to 00000h, allowing the read sequence to continue indefinitely.

In addition, address jumps can be done without exiting the Quad I/O High Performance Mode through the setting of the Mode bits (after the Address (A23-0) sequence, as shown in Figure 9.7). This added feature removes the need for the instruction sequence and greatly improves code execution (XIP). The upper nibble (bits 7-4) of the Mode bits control the length of the next Quad I/O High Performance instruction through the inclusion or exclusion of the first byte instruction code. The lower nibble (bits 3-0) of the Mode bits are DON'T CARE ("x"). If the Mode bits equal Axh, then the device remains in Quad I/O High Performance Read Mode and the next address can be entered (after CS# is raised high and then asserted low) without requiring the EBh instruction opcode, as shown in Figure 9.8, thus eliminating eight cycles for the instruction sequence. The following sequences will release the device from Quad I/O High Performance Read mode; after which, the device can accept standard SPI instructions:

1. During the Quad I/O High Performance Instruction Sequence, if the Mode bits are any value other than Axh, then the next time CS# is raised high and then asserted low the device will be released from Quad I/O High Performance Read mode.
2. Furthermore, during any operation, if CS# toggles high to low to high for eight cycles (or less) and data input (IO0, IO1, IO2, and IO3) are not set for a valid instruction sequence, then the device will be released from Quad I/O High Performance Read mode.

It is important that the I/O pins be set to high-impedance prior to the falling edge of the first data out clock.

The read instruction can be terminated by driving the CS# pin to the logic high state. The CS# pin can be driven high at any time during data output to terminate a read operation.

Figure 9.7 QUAD I/O High Performance Instruction Sequence

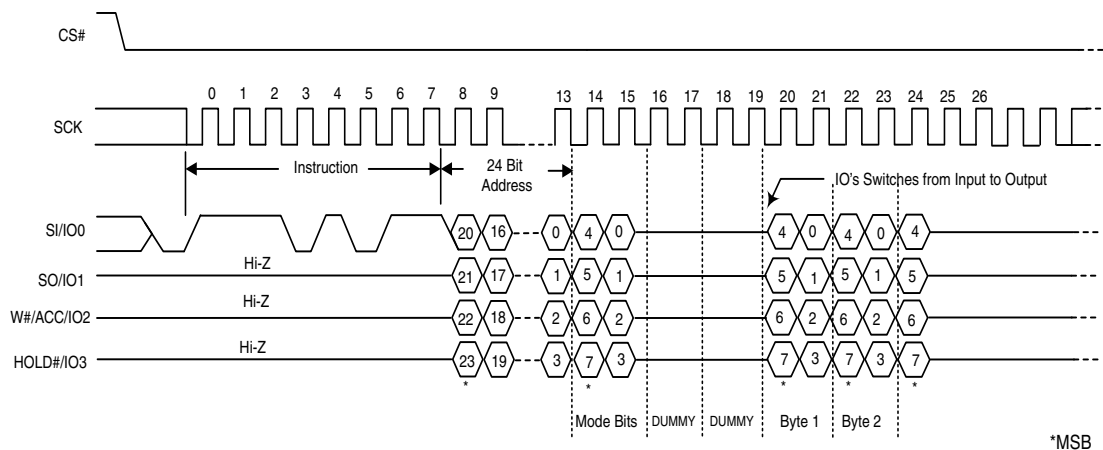
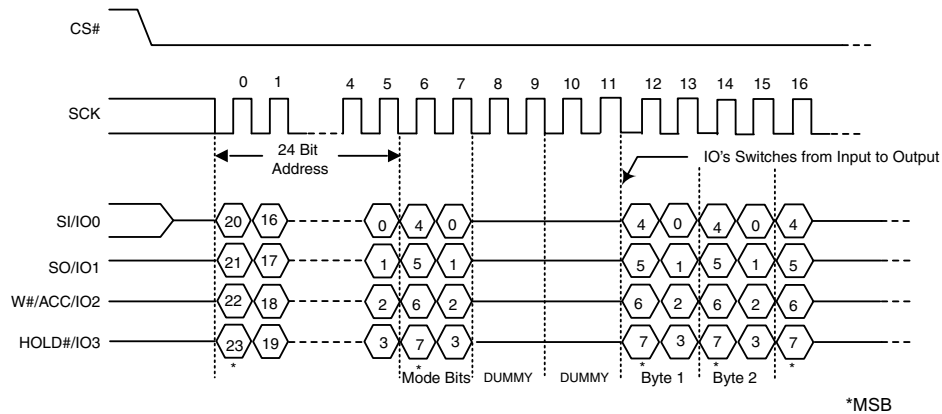


Figure 9.8 Continuous QUAD I/O High Performance Instruction Sequence


9.7 Read Identification (RDID)

The Read Identification (RDID) command outputs the one-byte manufacturer identification, followed by the two-byte device identification and the bytes for the Common Flash Interface (CFI) tables. The manufacturer identification is assigned by JEDEC; for Spansion devices, it is 01h. The device identification (2 bytes) and CFI bytes are assigned by the device manufacturer.

See [Table 9.2 on page 34](#) for device ID data.

The Common Flash Interface (CFI) specification outlines device and host system software interrogation handshake, which allows vendor-specified software algorithms to be used for entire families of devices. Software support can then be device-independent, JEDEC ID-independent, and forward- and backward-compatible for the specified flash device families. Flash vendors can standardize their existing interfaces for long-term compatibility. The system can read CFI information at the addresses given in [Table 9.3](#).

The host system must first select the device by driving CS# low. The RDID command is then written to SI, and each bit is latched on the rising edge of SCK. One byte of manufacture identification, two bytes of device identification and sixty-six bytes of extended device identification are then output from the memory array on SO at a frequency f_R , on the falling edge of SCK. The maximum clock frequency for the RDID (9Fh) command is 50 MHz (Normal Read). The manufacturer ID and Device ID can be read repeatedly by applying multiples of six hundred and forty eight clock cycles. The manufacturer ID, Device ID and CFI table can be continuously read as long as CS# is held low with a clock input.

The RDID command sequence is shown in [Figure 9.9](#) and [Table 9.1 on page 25](#).

Driving CS# high after the device identification data has been read at least once terminates the RDID command. Driving CS# high at any time during data output (for example, while reading the extended CFI bytes), also terminates the RDID operation.

The device rejects any RDID command issued while it is executing a program, erase, or Write Registers operation, and continues the operation uninterrupted.

Figure 9.9 Read Identification (RDID) Command Sequence and Data-Out Sequence

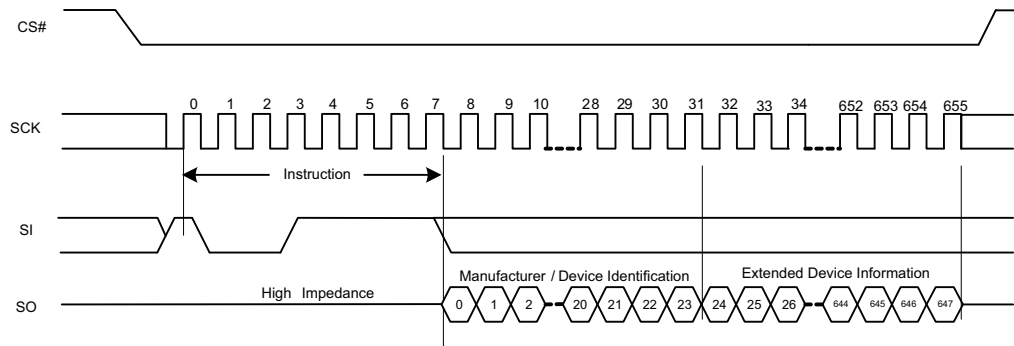


Table 9.2 Manufacturer and Device Identification - RDID (9Fh):

| Device | Manufacturer Identification | Device Identification | | Extended Device Identification | |
|-----------------------|-----------------------------|-----------------------|--------|--------------------------------|--------|
| | Byte 0 | Byte 1 | Byte 2 | Byte 3 | Byte 4 |
| Uniform 256 KB Sector | 01h | 20h | 18h | 4Dh | 00h |
| Uniform 64 KB Sector | 01h | 20h | 18h | 4Dh | 01h |

Notes

1. Byte 0 is Manufacturer ID of Spansion.
2. Byte 1 and 2 is Device Id.
3. Byte 3 is Extended Device Information String Length, to indicate how many Extended Device Information bytes will follow.
4. Byte 4 indicates uniform 64 KB sector or uniform 256 KB sector device.
5. Bytes 5 and 6 are Spansion reserved (do not use).
6. For Bytes 07h-0Fh and 3Dh-3Fh, the data will be read as 0xFF.
7. Bytes 10h-50h are factory programmed per JEDEC standard.

Table 9.3 Product Group CFI Query Identification String

| Byte | Data | Description |
|------|------|---|
| 10h | 51h | Query Unique ASCII string "QRY" |
| 11h | 52h | |
| 12h | 59h | |
| 13h | 02h | Primary OEM Command Set |
| 14h | 00h | |
| 15h | 40h | Address for Primary Extended Table |
| 16h | 00h | |
| 17h | 00h | Alternate OEM Command Set (00h = none exists) |
| 18h | 00h | |
| 19h | 00h | Address for Alternate OEM Extended Table (00h = none exists) |
| 1Ah | 00h | |

Table 9.4 Product Group CFI System Interface String

| Byte | Data | Description |
|------|------|---|
| 1Bh | 27h | V _{CC} Min. (erase/program): (D7-D4: Volt, D3-D0: 100 mV) |
| 1Ch | 36h | V _{CC} Max. (erase/program): (D7-D4: Volt, D3-D0: 100 mV) |
| 1Dh | 00h | V _{PP} Min. voltage (00h = no VPP pin present) |
| 1Eh | 00h | V _{PP} Max. voltage (00h = no VPP pin present) |
| 1Fh | 0Bh | Typical timeout per single byte program 2 ^N μs |
| 20h | 0Bh | Typical timeout for Min. size Page program 2 ^N μs (00h = not supported) |
| 21h | 09h | Typical timeout per individual sector erase 2 ^N ms |
| 22h | 11h | Typical timeout for full chip erase 2 ^N ms (00h = not supported) |
| 23h | 01h | Max. timeout for byte program 2 ^N times typical |
| 24h | 01h | Max. timeout for page program 2 ^N times typical |
| 25h | 02h | Max. timeout per individual sector erase 2 ^N times typical |
| 26h | 01h | Max. timeout for full chip erase 2 ^N times typical (00h = not supported) |

Table 9.5 Product Group CFI Device Geometry Definition

| Byte | Data | Description |
|------|---|---|
| 27h | 18h | Device Size = 2 ^N byte; |
| 28h | 05h | Flash Device Interface Description; 00h = x8 only 01h = x16 only 02h = x8/x16 capable 03h = x32 only 04h = Single I/O SPI, 3-byte address 05h = Multi I/O SPI, 3-byte address |
| 29h | 05h | |
| 2Ah | 08h | Max. number of bytes in multi-byte write = 2 ^N (00 = not supported) |
| 2Bh | 00h | |
| 2Ch | 02h (uniform 64 KB sector) 01h (uniform 256 KB sector) | Number of Erase Block Regions within device 1 = Uniform Device, 2 = Parameter Block |
| 2Dh | 1Fh (uniform 64 KB sector) 3Fh (uniform 256 KB sector) | Erase Block Region 1 Information (refer to CFI publication 100) |
| 2Eh | 00h | |
| 2Fh | 10h (uniform 64 KB sector) 00h (uniform 256 KB sector) | |
| 30h | 00h (uniform 64 KB sector) 04h (uniform 256 KB sector) | Erase Block Region 2 Information (refer to CFI publication 100) |
| 31h | FDh (uniform 64 KB sector) 00h (uniform 256 KB sector) | |
| 32h | 00h | |
| 33h | 00h | Erase Block Region 3 Information (refer to CFI publication 100) |
| 34h | 01h (uniform 64 KB sector) 00h (uniform 256 KB sector) | |
| 35h | 00h | |
| 36h | 00h | Erase Block Region 4 Information (refer to CFI publication 100) |
| 37h | 00h | |
| 38h | 00h | |
| 39h | 00h | Erase Block Region 4 Information (refer to CFI publication 100) |
| 3Ah | 00h | |
| 3Bh | 00h | |
| 3Ch | 00h | |

Table 9.6 Product Group CFI Primary Vendor-Specific Extended Query

| Byte | Data | Description |
|------|------|---|
| 40h | 50h | Query-unique ASCII string "PRI" |
| 41h | 52h | |
| 42h | 49h | |
| 43h | 31h | Major version number, ASCII |
| 44h | 33h | Minor version number, ASCII |
| 45h | 15h | Address Sensitive Unlock (Bits 1-0) 00b = Required, 01b = Not Required Process Technology (Bits 5-2) 0000b = 0.23 μ m Floating Gate 0001b = 0.17 μ m Floating Gate 0010b = 0.23 μ m MirrorBit 0010b = 0.20 μ m MirrorBit 0011b = 0.11 μ m Floating Gate 0100b = 0.11 μ m MirrorBit 0101b = 0.09 μ m MirrorBit 1000b = 0.065 μ m MirrorBit |
| 46h | 00h | Erase Suspend 0 = Not Supported, 1 = Read Only, 2 = Read and Write |
| 47h | 04h | Sector Protect 00 = Not Supported, X = Number of sectors in per smallest group |
| 48h | 00h | Temporary Sector Unprotect 00 = Not Supported, 01 = Supported |
| 49h | 05h | Sector Protect/Unprotect Scheme 04 = High Voltage Method 05 = Software Command Locking Method 08 = Advanced Sector Protection Method |
| 4Ah | 00h | Simultaneous Operation 00 = Not Supported, X = Number of Sectors outside Bank 1 |
| 4Bh | 01h | Burst Mode Type 00 = Not Supported, 01 = Supported |
| 4Ch | 03h | Page Mode Type 00 = Not Supported, 01 = 4 Word Page, 02 = 8 Word Page, 03 = 256 Byte Page |
| 4Dh | 85h | ACC (Acceleration) Supply Minimum 00 = Not Supported, (D7-D4: Volt, D3-D0: 100 mV) |
| 4Eh | 95h | ACC (Acceleration) Supply Maximum 00 = Not Supported, (D7-D4: Volt, D3-D0: 100 mV) |
| 4Fh | 07h | W# Protection 07 = Uniform Device with Top or Bottom Write Protect (user select) |
| 50h | 00h | Program Suspend 00 = Not Supported, 01 = Supported |

Note

CFI data related to V_{CC} and time-outs may differ from actual V_{CC} and time-outs of the product. Please consult the Ordering Information tables to obtain the V_{CC} range for particular part numbers. Please consult the [AC Characteristics on page 60](#) for typical timeout specifications.

9.8 Read-ID (READ_ID)

The READ_ID instruction provides the S25FL129P manufacturer and device information and is provided as an alternative to the Release from Deep Power-Down and Read Electronic Signature (RES), and the JEDEC Read Identification (RDID) commands.

The instruction is initiated by driving the CS# pin low and shifting in (via the SI input pin) the instruction code “90h” followed by a 24-bit address (which is either 00000h or 00001h). Following this, the Manufacturer ID and the Device ID are shifted out on the SO output pin starting after the falling edge of the SCK serial clock input signal. If the 24-bit address is set to 000000h, the Manufacturer ID is read out first followed by the Device ID. If the 24-bit address is set to 000001h, then the Device ID is read out first followed by the Manufacturer ID. The Manufacturer ID and the Device ID are always shifted out on the SO output pin with the MSB first, as shown in Figure 9.10. Once the device is in Read-ID mode, the Manufacturer ID and Device ID output data toggles between address 000000H and 000001H until terminated by a low to high transition on the CS# input pin. The maximum clock frequency for the Read-ID (90h) command is at 104 MHz (FAST_READ). The Manufacturer ID and Device ID is output continuously until terminated by a low to high transition on CS# chip select input pin.

Figure 9.10 Read-ID (RDID) Command Timing Diagram

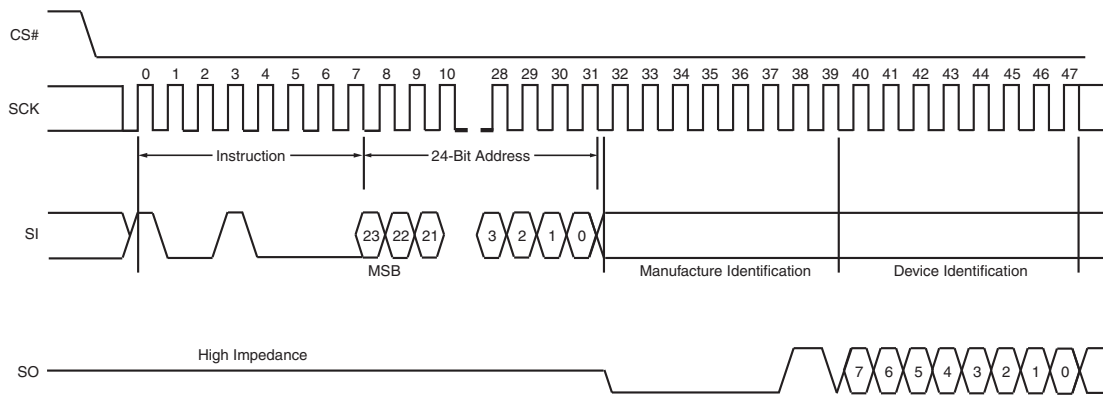


Table 9.7 READ_ID Data-Out Sequence

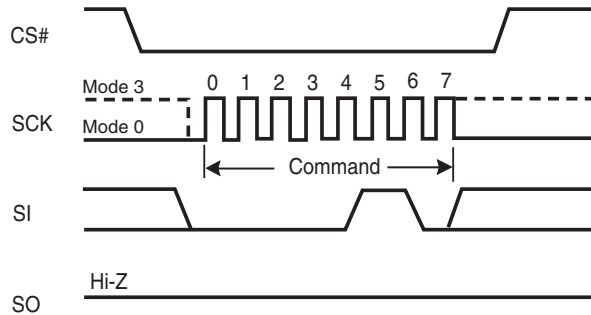
| | Address | Data |
|-----------------------------|---------|------|
| Manufacturer Identification | 00000h | 01h |
| Device Identification | 00001h | 17h |

9.9 Write Enable (WREN)

The Write Enable (WREN) command (see [Figure 9.11](#)) sets the Write Enable Latch (WEL) bit to a 1, which enables the device to accept a Write Status Register, program, or erase command. The WEL bit must be set prior to every Page Program (PP), Quad Page Program (QPP), Parameter Sector Erase (P4E, P8E), Erase (SE or BE), Write Registers (WRR) and OTP Program (OTPP) command.

The host system must first drive CS# low, write the WREN command, and then drive CS# high.

Figure 9.11 Write Enable (WREN) Command Sequence



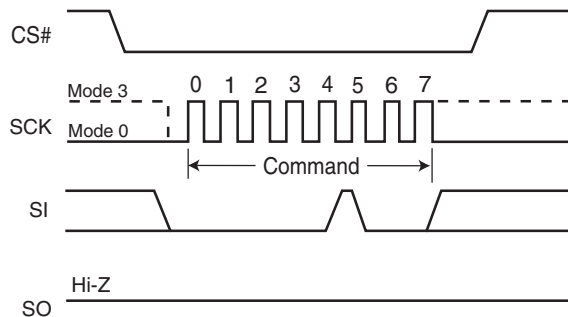
9.10 Write Disable (WRDI)

The Write Disable (WRDI) command (see [Figure 9.12](#)) resets the Write Enable Latch (WEL) bit to a 0, which disables the device from accepting a Page Program (PP), Quad Page Program (QPP), Parameter Sector Erase (P4E, P8E), Erase (SE, BE), Write Registers (WRR) and OTP Program (OTPP) command. The host system must first drive CS# low, write the WRDI command, and then drive CS# high.

Any of following conditions resets the WEL bit:

- Power-up
- Write Disable (WRDI) command completion
- Write Registers (WRR) command completion
- Page Program (PP) command completion
- Quad Page Program (QPP) completion
- Parameter Sector Erase (P4E, P8E) completion (applicable for the uniform 64 KB sector device only)
- Sector Erase (SE) command completion
- Bulk Erase (BE) command completion
- OTP Program (OTPP) completion

Figure 9.12 Write Disable (WRDI) Command Sequence



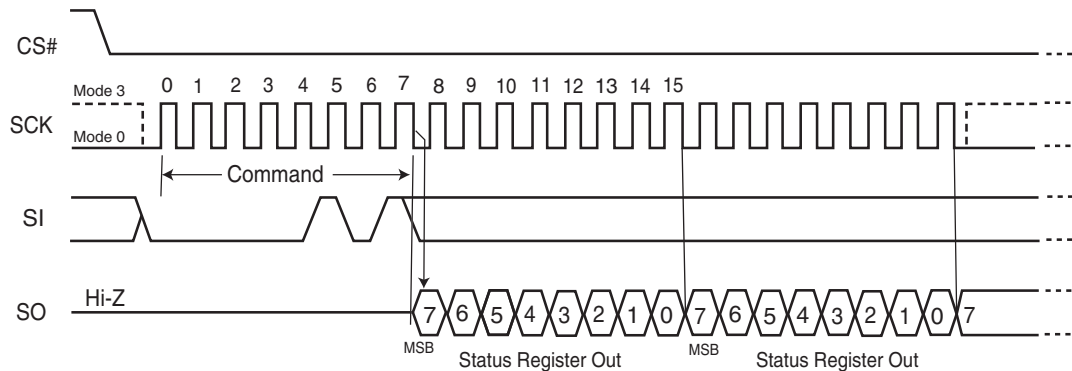
9.11 Read Status Register (RDSR)

The Read Status Register (RDSR) command outputs the state of the Status Register bits. [Table 9.8](#) shows the status register bits and their functions. The RDSR command may be written at any time, even while a program, erase, or Write Registers operation is in progress. The host system should check the Write In Progress (WIP) bit before sending a new command to the device if an operation is already in progress. [Figure 9.13](#) shows the RDSR command sequence, which also shows that it is possible to read the Status Register continuously until CS# is driven high. The maximum clock frequency for the RDSR command is 104 MHz.

Table 9.8 S25FL129P Status Register

| Bit | Status Register Bit | Bit Function | Description |
|-----|---------------------|-------------------------------|---|
| 7 | SRWD | Status Register Write Disable | 1 = Protects when W#/ACC is low 0 = No protection, even when W#/ACC is low |
| 6 | P_ERR | Programming Error Occurred | 0 = No Error 1 = Error occurred |
| 5 | E_ERR | Erase Error Occurred | 0 = No Error 1 = Error occurred |
| 4 | BP2 | Block Protect | Protects selected Blocks from Program or Erase |
| 3 | BP1 | | |
| 2 | BP0 | | |
| 1 | WEL | Write Enable Latch | 1 = Device accepts Write Registers, program or erase commands 0 = Ignores Write Registers, program or erase commands |
| 0 | WIP | Write in Progress | 1 = Device Busy a Write Registers, program or erase operation is in progress 0 = Ready. Device is in standby mode and can accept commands. |

Figure 9.13 Read Status Register (RDSR) Command Sequence



The following describes the status and control bits of the Status Register.

Write In Progress (WIP) bit: Indicates whether the device is busy performing a Write Registers, program, or erase operation. This bit is read-only, and is controlled internally by the device. If WIP is 1, one of these operations is in progress; if WIP is 0, no such operation is in progress. This bit is a Read-only bit.

Write Enable Latch (WEL) bit: Determines whether the device will accept and execute a Write Registers, program, or erase command. When set to 1, the device accepts these commands; when set to 0, the device rejects the commands. This bit is set to 1 by writing the WREN command, and set to 0 by the WRDI command, and is also automatically reset to 0 after the completion of a Write Registers, program, or erase operation, and after a power down/power up sequence. WEL cannot be directly set by the WRR command.

Block Protect (BP2, BP1, BP0) bits: Define the portion of the memory area that will be protected against any changes to the stored data. The Block Protection (BP2, BP1, BP0) bits are either volatile or non-volatile, depending on the state of the non-volatile bit BPNV in the Configuration register. The Block Protection (BP2, BP1, BP0) bits are written with the Write Registers (WRR) instruction. When one or more of the Block Protect (BP2, BP1, BP0) bits is set to 1's, the relevant memory area is protected against Page Program (PP),

Parameter Sector Erase (P4E, P8E), Sector Erase (SE), Quad Page Programming (QPP) and Bulk Erase (BE) instructions. If the Hardware Protected mode is enabled, BP2:BP0 cannot be changed.

The Bulk Erase (BE) instruction can be executed only when the Block Protection (BP2, BP1, BP0) bits are set to 0's.

The default condition of the BP2-0 bits is binary 000 (all 0's).

Erase Error bit (E_ERR): The Erase Error Bit is used as a Erase operation success and failure check. When the Erase Error bit is set to a "1", it indicates that there was an error which occurred in the last erase operation. With the Erase Error bit set to a "1", this bit is reset with the Clear Status Register (CLSR) command.

Program Error bit (P_ERR): The Program Error Bit is used as a Program operation success and failure check. When the Program Error bit is set to a "1", it indicates that there was an error which occurred in the last program operation. With the Program Error bit set to a "1", this bit is reset with the Clear Status Register (CLSR) command.

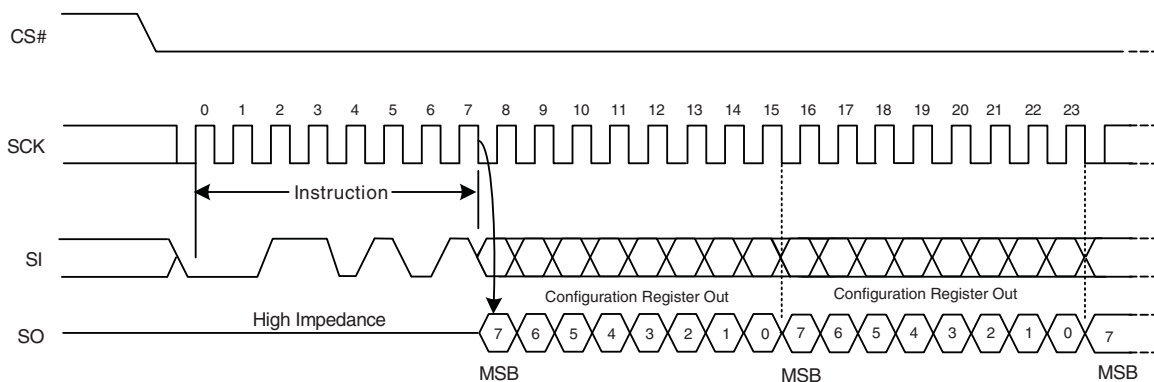
Status Register Write Disable (SRWD) bit: Provides data protection when used together with the Write Protect (W#/ACC) signal. The Status Register Write Disable (SRWD) bit is operated in conjunction with the Write Protect (W#/ACC) input pin. The Status Register Write Disable (SRWD) bit and the Write Protect (W#/ACC) signal allow the device to be put in the Hardware Protected mode. With the Status Register Write Disable (SRWD) bit set to a "1" and the W#/ACC driven to the logic low state, the device enters the Hardware Protected mode; the non-volatile bits of the Status Register (SRWD, BP2, BP1, BP0) and the nonvolatile bits of the Configuration Register (TBPARM, TBPROT, BPNV and QUAD) become read-only bits and the Write Registers (WRR) instruction opcode is no longer accepted for execution.

Note that the P_ERR and E_ERR bits will not be set to a 1 if the application writes to a protected memory area.

9.12 Read Configuration Register (RCR)

The Read Configuration Register (RCR) instruction opcode allows the Configuration Register contents to be read out of the SO serial output pin. The Configuration Register contents may be read at any time, even while a program, erase, or write cycle is in progress. When one of these cycles is in progress, it is recommended to the user to check the Write In Progress (WIP) bit of the Status Register before issuing a new instruction opcode to the device. The Configuration Register originally shows 00h when the device is first shipped from the factory to the customer. (Refer to [Section 7.8 on page 15](#), [Table 7.1 on page 15](#) and [Table 7.1 on page 16](#) for more details.)

Figure 9.14 Read Configuration Register (RCR) Instruction Sequence



9.13 Write Registers (WRR)

The Write Registers (WRR) command allows changing the bits in the Status and Configuration Registers. A Write Enable (WREN) command, which itself sets the Write Enable Latch (WEL) in the Status Register, is required prior to writing the WRR command. [Table 9.8](#) shows the status register bits and their functions.

The host system must drive CS# low, then write the WRR command and the appropriate data byte on SI [Figure 9.15](#).

The WRR command cannot change the state of the Write Enable Latch (bit 1). The WREN command must be used for that purpose.

The Status Register consists of one data byte in length; similarly, the Configuration Register is also one data byte in length. The CS# pin must be driven to the logic low state during the entire duration of the sequence.

The WRR command also controls the value of the Status Register Write Disable (SRWD) bit. The SRWD bit and W#/ACC pin together place the device in the Hardware Protected Mode (HPM). The device ignores all WRR commands once it enters the Hardware Protected Mode (HPM). [Table 9.9](#) shows that W#/ACC must be driven low and the SRWD bit must be 1 for this to occur.

The Write Registers (WRR) instruction has no effect on the P/E Error and the WIP bits of the Status and Configuration Registers. Any bit reserved for the future is always read as a '0'.

The CS# chip select input pin must be driven to the logic high state after the eighth (see [Figure 9.15](#)) or sixteenth (see [Figure 9.16](#)) bit of data has been latched in. If not, the Write Registers (WRR) instruction is not executed. If CS# is driven high after the eighth cycle then only the Status Register is written to; otherwise, after the sixteenth cycle both the Status and Configuration Registers are written to. As soon as the CS# chip select input pin is driven to the logic high state, the self-timed Write Registers cycle is initiated. While the Write Registers cycle is in progress, the Status Register may still be read to check the value of the Write In Progress (WIP) bit. The Write In Progress (WIP) bit is a '1' during the self-timed Write Registers cycle, and is a '0' when it is completed. When the Write Registers cycle is completed, the Write Enable Latch (WEL) is set to a '0'. The WRR command can operate at a maximum clock frequency of 104 MHz.

Figure 9.15 Write Registers (WRR) Instruction Sequence – 8 data bits

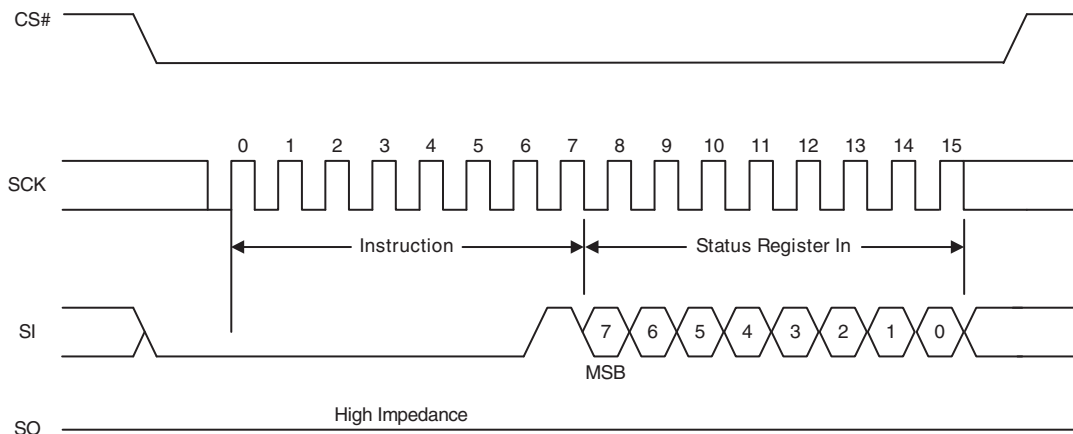


Figure 9.16 Write Registers (WRR) Instruction Sequence – 16 data bits

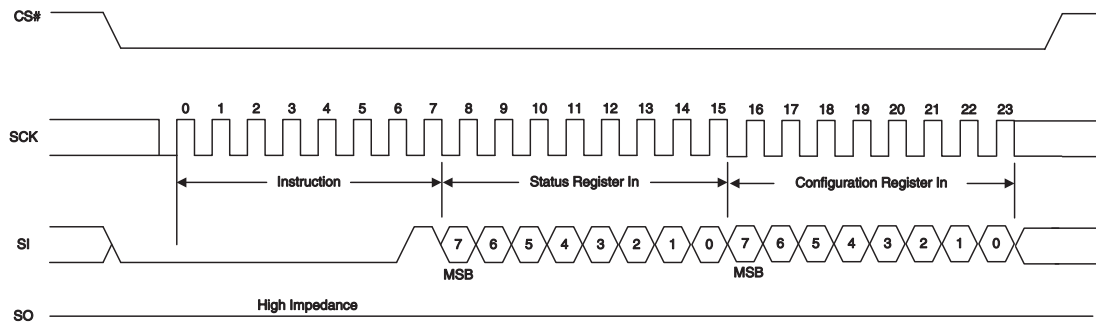


Table 9.9 Protection Modes

| W#/ACC | SRWD Bit | Mode | Write Protection of Registers | Memory Content | |
|--------|----------|--------------------------|--|--|---|
| | | | | Protected Area | Unprotected Area |
| 1 | 1 | Software Protected (SPM) | Status and Configuration Registers are Writable (if WREN instruction has set the WEL bit). The values in the SRWD, BP2, BP1, and BP0 bits and those in the Configuration Register can be changed | Protected against Page Program, Parameter Sector Erase, Sector Erase, and Bulk Erase | Ready to accept Page Program, Parameter Sector Erase, and Sector Erase instructions |
| 1 | 0 | | | | |
| 0 | 0 | | | | |
| 0 | 1 | Hardware Protected (HPM) | Status and Configuration Registers are Hardware Write Protected. The values in the SRWD, BP2, BP1, and BP0 bits and those in the Configuration Register cannot be changed | Protected against Page Program, Sector Erase, and Bulk Erase | Ready to accept Page Program, Sector Erase instructions |

Note

As defined by the values in the Block Protect (BP2, BP1, BP0) bits of the Status Register, as shown in Table 7.3 on page 17.

Table 9.9 shows that neither W#/ACC or SRWD bit by themselves can enable HPM. The device can enter HPM either by setting the SRWD bit after driving W#/ACC low, or by driving W#/ACC low after setting the SRWD bit. However, the device disables HPM only when W#/ACC is driven high.

Note that HPM only protects against changes to the status register. Since BP2:BP0 cannot be changed in HPM, the size of the protected area of the memory array cannot be changed. Note that HPM provides no protection to the memory array area outside that specified by BP2:BP0 (Software Protected Mode, or SPM).

If W#/ACC is permanently tied high, HPM can never be activated, and only the SPM (Block Protect bits of the Status Register) can be used.

The Status and Configuration registers originally default to 00h, when the device is first shipped from the factory to the customer.

Note: HPM is disabled when the Quad I/O Mode is enabled (Quad bit = 1 in the Configuration Register). W# becomes IO2; therefore, HPM cannot be utilized.

9.14 Page Program (PP)

The Page Program (PP) command changes specified bytes in the memory array (from 1 to 0 only). A WREN command is required prior to writing the PP command.

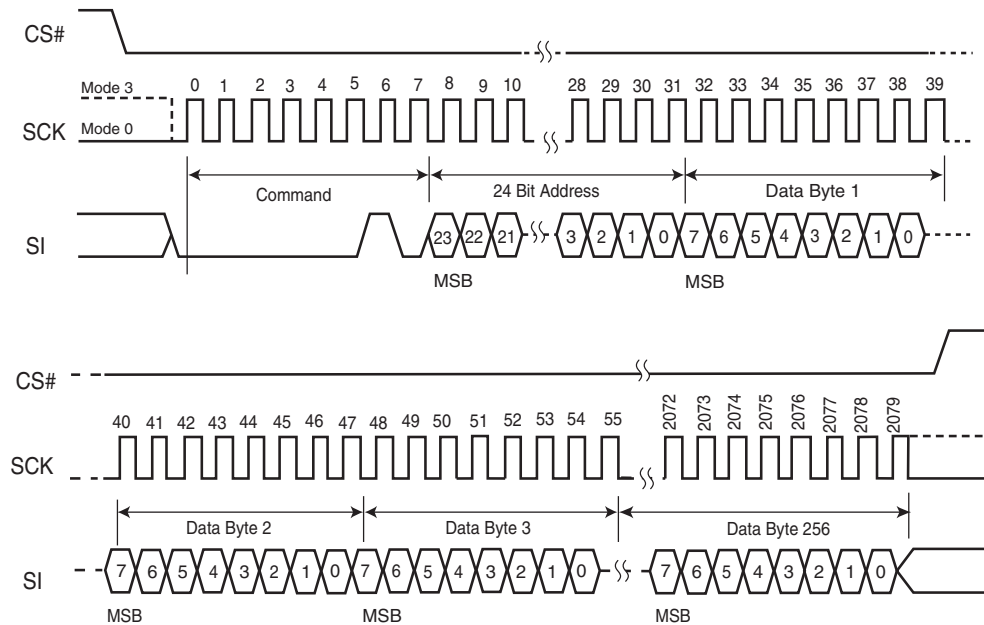
The host system must drive CS# low, and then write the PP command, three address bytes, and at least one data byte on SI. If the 8 least significant address bits (A7-A0) are not all zero, all transmitted data that goes beyond the end of the currently selected page are programmed from the starting address of the same page (from the address whose 8 least significant bits are all zero). CS# must be driven low for the entire duration of the PP sequence. The command sequence is shown in [Figure 9.17](#) and [Table 9.1 on page 25](#).

The device programs only the last 256 data bytes sent to the device. If the 8 least significant address bits (A7-A0) are not all zero, all transmitted data that goes beyond the end of the currently selected page are programmed from the starting address of the same page (from the address whose 8 least significant bits are all zero). If fewer than 256 data bytes are sent to device, they are correctly programmed at the requested addresses without having any effect on the other bytes in the same page.

The host system must drive CS# high after the device has latched the 8th bit of the data byte, otherwise the device does not execute the PP command. The PP operation begins as soon as CS# is driven high. The device internally controls the timing of the operation, which requires a period of t_{PP} . The Status Register may be read to check the value of the Write In Progress (WIP) bit while the PP operation is in progress. The WIP bit is 1 during the PP operation, and is 0 when the operation is completed. The device internally resets the Write Enable Latch to 0 before the operation completes (the exact timing is not specified).

The device does not execute a Page Program (PP) command that specifies a page that is protected by the Block Protect bits (BP2:BP0) (see [Table 7.3 on page 17](#)).

Figure 9.17 Page Program (PP) Command Sequence

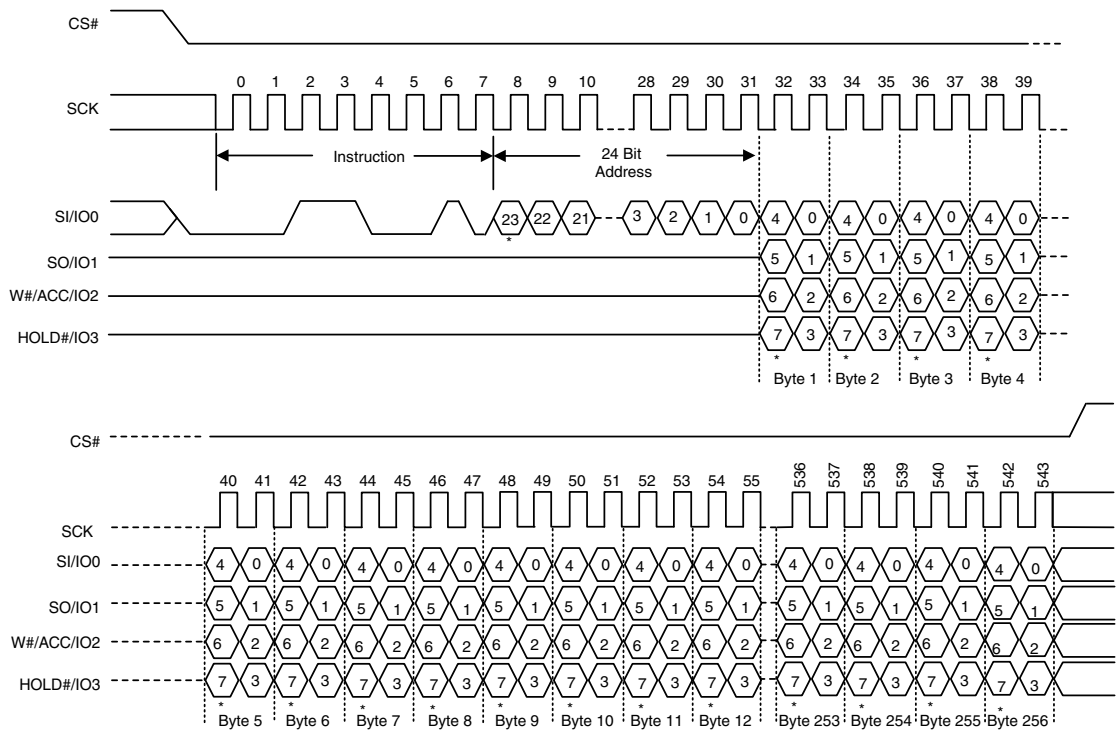


9.15 QUAD Page Program (QPP)

The Quad Page Program instruction is similar to the Page Program instruction, except that the Quad Page Program (QPP) instruction allows up to 256 bytes of data to be programmed at previously erased (FFh) memory locations using four pins: IO0 (SI), IO1 (SO), IO2 (W#/ACC), and IO3 (HOLD#), instead of just one pin (SI) as in the case of the Page Program (PP) instruction. This effectively increases the data transfer rate by up to four times, as compared to the Page Program (PP) instruction. The QPP feature can improve performance for PROM Programmer and applications that have slow clock speeds < 5 MHz. Systems with faster clock speed will not realize much benefit for the QPP instruction since the inherent page program time is much greater than the time it take to clock-in the data.

To use QPP, the Quad Enable Bit in the Configuration Register must be set (QUAD = 1). A Write Enable instruction must be executed before the device will accept the Quad Page Program instruction (Status Register-1, WEL = 1). The instruction is initiated by driving the CS# pin low then shifting the instruction code "32h" followed by a 24 bit address (A23-A0) and at least one data byte, into the IO pins. The CS# pin must be held low for the entire length of the instruction while data is being sent to the device. All other functions of Quad Input Page Program are identical to standard Page Program. The QPP instruction sequence is shown below.

Figure 9.18 QUAD Page Program Instruction Sequence



*MSB

9.16 Parameter Sector Erase (P4E, P8E) (only applicable for the uniform 64 KB sector device)

The Parameter Sector Erase (P4E, P8E) command sets all bits at all addresses within a specified sector to a logic 1 (FFh). A WREN command is required prior to writing the Parameter Sector Erase commands.

The host system must drive CS# low, and then write the P4E or P8E command, plus three address bytes on SI. Any address within the sector (see [Table 5.1 on page 12](#)) is a valid address for the P4E or P8E command. CS# must be driven low for the entire duration of the P4E/P8E sequence. The command sequence is shown in [Figure 9.19](#) and [Table 9.1 on page 25](#).

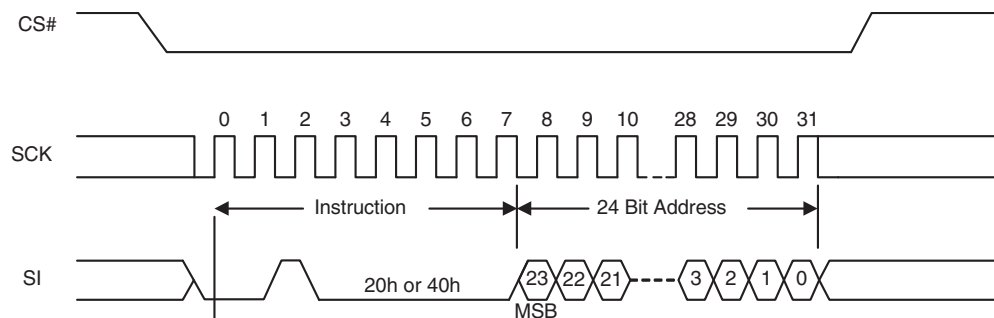
The host system must drive CS# high after the device has latched the 24th bit of the P4E/P8E address, otherwise the device does not execute the command. The parameter sector erase operation begins as soon as CS# is driven high. The device internally controls the timing of the operation, which requires a period of t_{SE} . The Status Register may be read to check the value of the Write In Progress (WIP) bit while the parameter sector erase operation is in progress. The WIP bit is 1 during the P4E/P8E operation, and is 0 when the operation is completed. The device internally resets the Write Enable Latch to 0 before the operation completes (the exact timing is not specified).

A Parameter Sector Erase (P4E, P8E) instruction applied to a sector that has been Write Protected through the Block Protect Bits will not be executed.

The Parameter Sector Erase Command (P8E) erases two of the 4 KB Sectors in selected address space. The Parameter Sector Erase Command (P8E) erases two sequential 4 KB Parameter Sectors in the selected address space. The address LSB is disregarded so that two sequential 4 KB Parameter Sectors are erased. The 24 Bit Address is any location within the first Sector to be erased (n), and the next sequential 4 KB Parameter Sector will also be erased (n+1). The 4 KB parameter Sector will only be erased properly if n or n+1 is a valid 4 KB parameter Sector. i.e. If n is not a valid 4K parameter Sector, then it will not be erased. If n+1 is not a valid 4 KB parameter Sector, then it will not be erased.

Note: The P4E and P8E commands do not apply to the uniform 256 KB sector device.

Figure 9.19 Parameter Sector Erase (P4E, P8E) Instruction Sequence



9.17 Sector Erase (SE)

The Sector Erase (SE) command sets all bits at all addresses within a specified sector to a logic 1. A WREN command is required prior to writing the SE command.

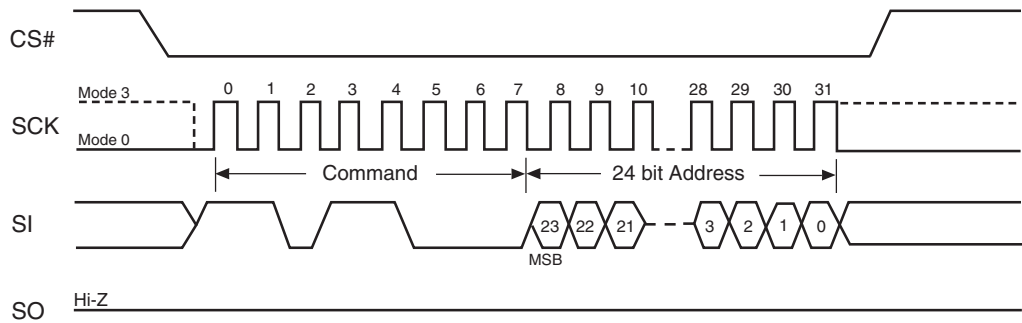
The host system must drive CS# low, and then write the SE command plus three address bytes on SI. Any address within the sector (see [Table 7.3 on page 17](#)) is a valid address for the SE command. CS# must be driven low for the entire duration of the SE sequence. The command sequence is shown in [Figure 9.20](#) and [Table 9.1 on page 25](#).

The host system must drive CS# high after the device has latched the 24th bit of the SE address, otherwise the device does not execute the command. The SE operation begins as soon as CS# is driven high. The device internally controls the timing of the operation, which requires a period of t_{SE} . The Status Register may be read to check the value of the Write In Progress (WIP) bit while the SE operation is in progress. The WIP bit is 1 during the SE operation, and is 0 when the operation is completed. The device internally resets the Write Enable Latch to 0 before the operation completes (the exact timing is not specified).

The device only executes a SE command for those sectors which are not protected by the Block Protect bits (BP2:BP0) (see [Table 7.3 on page 17](#)). Otherwise, the device ignores the command.

A 64 KB sector erase (D8h) command issued on 4 KB or 8 KB erase sectors will erase all sectors in the specified 64 KB region. However, please note that a 4 KB sector erase (20h) or 8 KB sector erase (40h) command will not work on a 64 KB sector.

Figure 9.20 Sector Erase (SE) Command Sequence



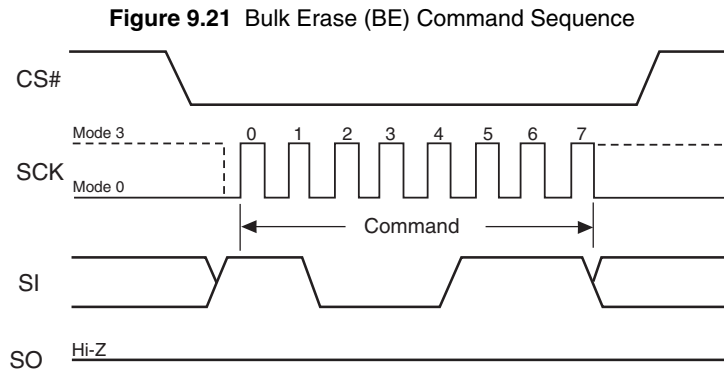
9.18 Bulk Erase (BE)

The Bulk Erase (BE) command sets all the bits within the entire memory array to logic 1s. A WREN command is required prior to writing the BE command.

The host system must drive CS# low, and then write the BE command on SI. CS# must be driven low for the entire duration of the BE sequence. The command sequence is shown in [Figure 9.21](#) and [Table 9.1](#) on page 25.

The host system must drive CS# high after the device has latched the 8th bit of the CE command, otherwise the device does not execute the command. The BE operation begins as soon as CS# is driven high. The device internally controls the timing of the operation, which requires a period of t_{BE} . The Status Register may be read to check the value of the Write In Progress (WIP) bit while the BE operation is in progress. The WIP bit is 1 during the BE operation, and is 0 when the operation is completed. The device internally resets the Write Enable Latch to 0 before the operation completes (the exact timing is not specified).

The device only executes a BE command if all Block Protect bits (BP2:BP0) are 0 (see [Table 7.3](#) on page 17). Otherwise, the device ignores the command.



9.19 Deep Power-Down (DP)

The Deep Power-Down (DP) command provides the lowest power consumption mode of the device. It is intended for periods when the device is not in active use, and ignores all commands except for the Release from Deep Power-Down (RES) command. *The DP mode therefore provides the maximum data protection against unintended write operations.* The standard standby mode, which the device goes into automatically when CS# is high (and all operations in progress are complete), should generally be used for the lowest power consumption when the quickest return to device activity is required.

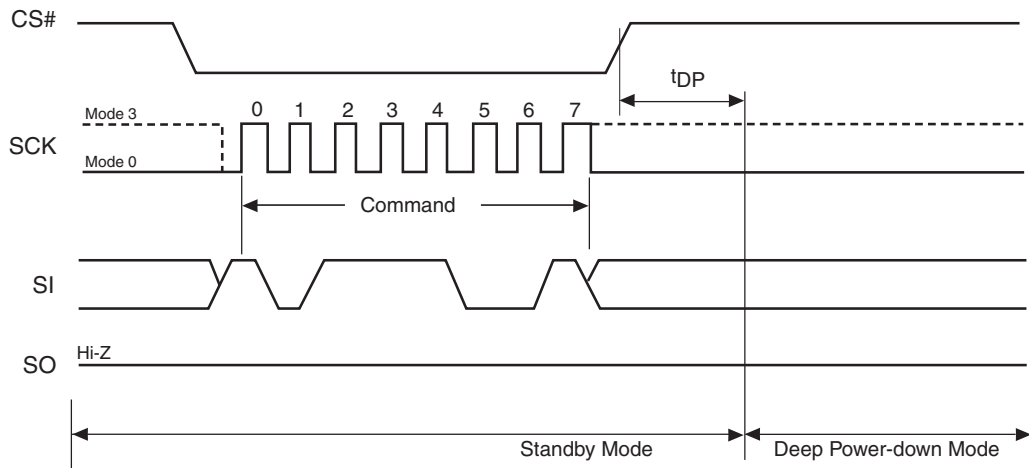
The host system must drive CS# low, and then write the DP command on SI. CS# must be driven low for the entire duration of the DP sequence. The command sequence is shown in [Figure 9.22](#) and [Table 9.1](#) on page 25.

The host system must drive CS# high after the device has latched the 8th bit of the DP command, otherwise the device does not execute the command. After a delay of t_{DP} , the device enters the DP mode and current reduces from I_{SB} to I_{DP} (see [Table 16.1](#) on page 58).

Once the device has entered the DP mode, all commands are ignored except the RES command (which releases the device from the DP mode). The RES command also provides the Electronic Signature of the device to be output on SO, if desired (see [Section 9.20](#) and [9.20.1](#)).

DP mode automatically terminates when power is removed, and the device always powers up in the standard standby mode. The device rejects any DP command issued while it is executing a program, erase, or Write Registers operation, and continues the operation uninterrupted.

Figure 9.22 Deep Power-Down (DP) Command Sequence



9.20 Release from Deep Power-Down (RES)

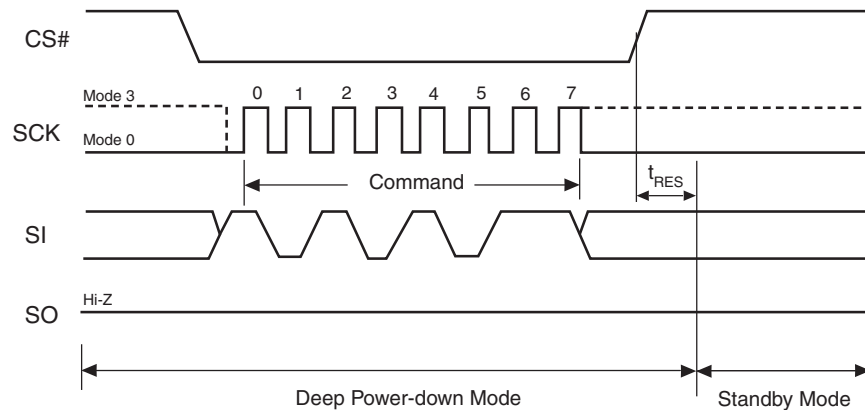
The device requires the Release from Deep Power-Down (RES) command to exit the Deep Power-Down mode. When the device is in the Deep Power-Down mode, all commands except RES are ignored.

The host system must drive CS# low and write the RES command to SI. CS# must be driven low for the entire duration of the sequence. The command sequence is shown in [Figure 9.23](#) and [Table 9.1 on page 25](#).

The host system must drive CS# high $t_{RES(max)}$ after the 8-bit RES command byte. The device transitions from DP mode to the standby mode after a delay of t_{RES} (see [Figure 18.1](#)). In the standby mode, the device can execute any read or write command.

Note: The RES command does not reset the Write Enable Latch (WEL) bit.

Figure 9.23 Release from Deep Power-Down (RES) Command Sequence



9.20.1 Release from Deep Power-Down and Read Electronic Signature (RES)

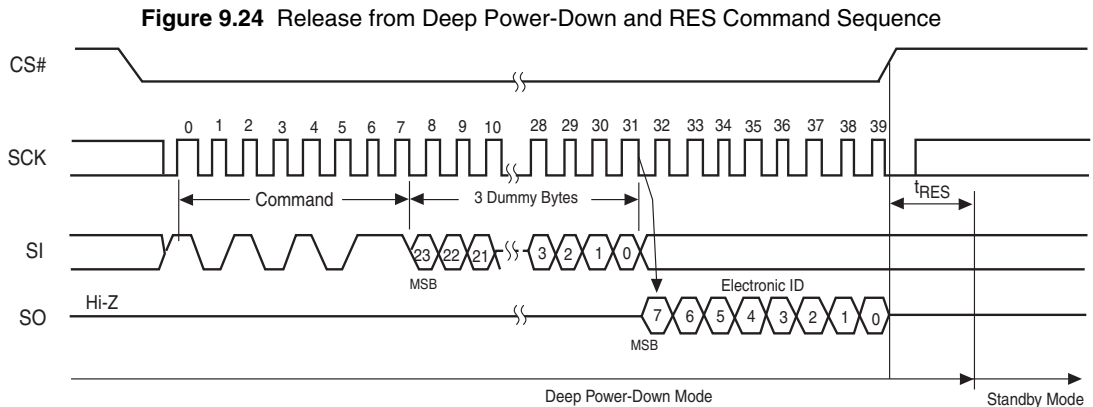
The device features an 8-bit Electronic Signature, which can be read using the RES command. See [Figure 9.24](#) and [Table 9.1 on page 25](#) for the command sequence and signature value. The Electronic Signature is not to be confused with the identification data obtained using the RDID command. The device offers the Electronic Signature so that it can be used with previous devices that offered it; however, the Electronic Signature should not be used for new designs, which should read the RDID data instead.

After the host system drives CS# low, it must write the RES command followed by 3 dummy bytes to SI (each bit is latched on SI during the rising edge of SCK). The Electronic Signature is then output on SO; each bit is shifted out on the falling edge of SCK. The RES operation is terminated by driving CS# high after the Electronic Signature is read at least once. Additional clock cycles on SCK with CS# low cause the device to output the Electronic Signature repeatedly.

When CS# is driven high, the device transitions from DP mode to the standby mode after a delay of t_{RES} , as previously described. The RES command always provides access to the Electronic Signature of the device and can be applied even if DP mode has not been entered.

Any RES command issued while an erase, program, or Write Registers operation is in progress not executed, and the operation continues uninterrupted.

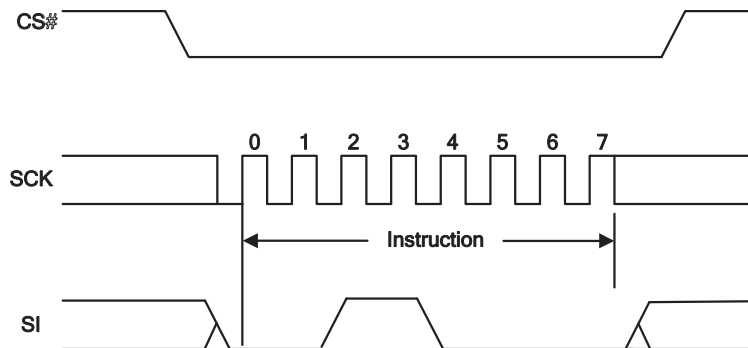
Note: The RES command does not reset the Write Enable Latch (WEL) bit.



9.21 Clear Status Register (CLSR)

The Clear Status Register command resets bit SR5 (Erase Fail Flag) and bit SR6 (Program Fail Flag). It is not necessary to set the WEL bit before the Clear SR Fail Flags command is executed. The WEL bit will be unchanged after this command is executed.

Figure 9.25 Clear Status Register (CLSR) Instruction Sequence



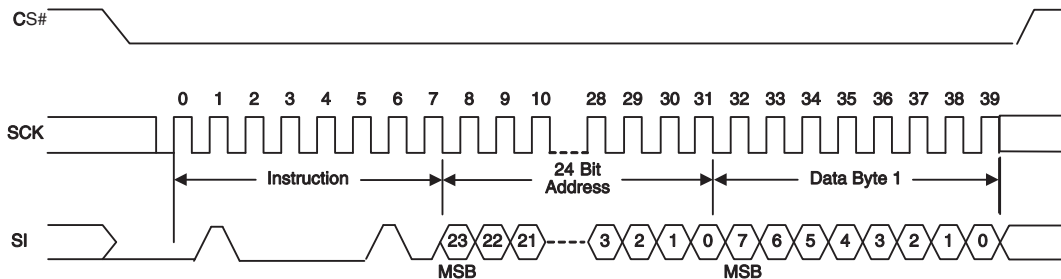
9.22 OTP Program (OTPP)

The OTP Program command programs data in the OTP region, which is in a different address space from the main array data. Refer to [OTP Regions on page 52](#) for details on the OTP region. The protocol of the OTP Program command is the same as the Page Program command, except that the OTP Program command requires exactly one byte of data; otherwise, the command will be ignored. To program the OTP in bit granularity, the rest of the bits within the data byte can be set to “1”.

The OTP memory space can be programmed one or more times, provided that the OTP memory space is not locked (as described in “Locking OTP Regions”). Subsequent OTP programming can be performed only on the unprogrammed bits (that is, “1” data).

Note: The Write Enable (WREN) command must precede the OTPP command before programming of the OTP can occur.

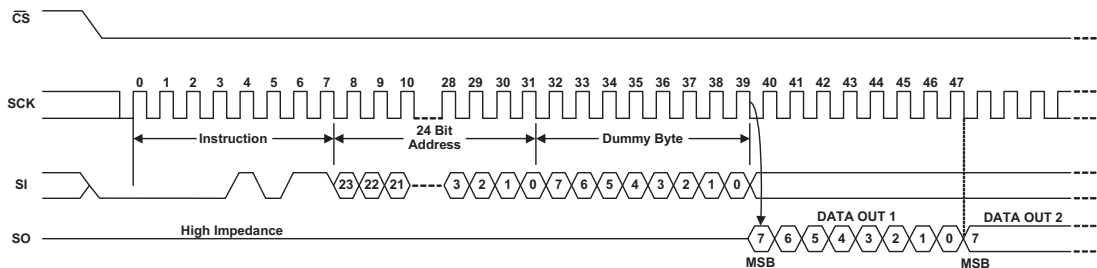
Figure 9.26 OTP Program Instruction Sequence



9.23 Read OTP Data Bytes (OTPR)

The Read OTP Data Bytes command reads data from the OTP region. Refer to [“OTP Regions”](#) for details on the OTP region. The protocol of the Read OTP Data Bytes command is the same as the Fast Read Data Bytes command except that it will not wrap to the starting address after the OTP address is at its maximum; instead, the data will be indeterminate.

Figure 9.27 Read OTP Instruction Sequence



10. OTP Regions

The OTP Regions are separately addressable from the main array and consists of two 8-byte (ESN), thirty 16-byte, and one 10-byte regions that can be individually locked.

- The two 8-byte ESN region is a special order part (please contact your local Spansion sales representative for further details). The two 8-byte regions enable permanent part identification through an Electronic Serial Number (ESN). The customer can utilize the ESN to pair a Flash device with the system CPU/ASIC to prevent system cloning. The Spansion factory programs and locks the lower 8-byte ESN with a 64-bit randomly generated, unique number. The upper 8-byte ESN is left blank for customer use or, if special ordered, Spansion can program (and lock) in a unique customer ID.

| | Lock Register ESN1 (Bit 0) | Lock Register ESN2 (Bit 1) | ESN1 Region Contains | ESN2 Region Contains |
|--------------------|----------------------------|----------------------------|-----------------------|-------------------------------------|
| Standard part | 1h | 1h | 0h | 0h |
| Special order part | 1h | 1h/0h | Unique random pattern | Factory/Customer programmed pattern |

- The thirty 16-byte and one 10-byte OTP regions are open for the customer usage.
- The thirty 16-byte, one 10-byte, and upper 8-byte ESN OTP regions can be individually locked by the end user. Once locked, the data cannot be changed. The locking process is permanent and cannot be undone.

The following general conditions should be noted with respect to the OTP Regions:

- On power-up, or following a hardware reset, or at the end of an OTPP or an OTPR command, the device reverts to sending commands to the normal address space.
- Reads or Programs outside of the OTP Regions will be ignored
- The OTP Region is not accessible when the device is executing an Embedded Program or Embedded Erase algorithm.
- The ACC function is not available when accessing the OTP Regions.
- The thirty 16-byte and one 10-byte OTP regions are left open for customer usage, but special care of the OTP locking must be maintained, or else a malevolent user can permanently lock the OTP regions. This is not a concern, if the OTP regions are not used.

10.1 Programming OTP Address Space

The protocol of the OTP Program command (42h) is the same as the Page Program command. Refer to [Table 9.1](#) for the command description and protocol. The OTP Program command can be issued multiple times to any given OTP address, but this address space can never be erased. After a given OTP region is programmed, it can be locked to prevent further programming with the OTP lock registers (refer to [Section 10.3](#)). The valid address range for OTP Program is depicted in the figure below. OTP Program operations outside the valid OTP address range will be ignored.

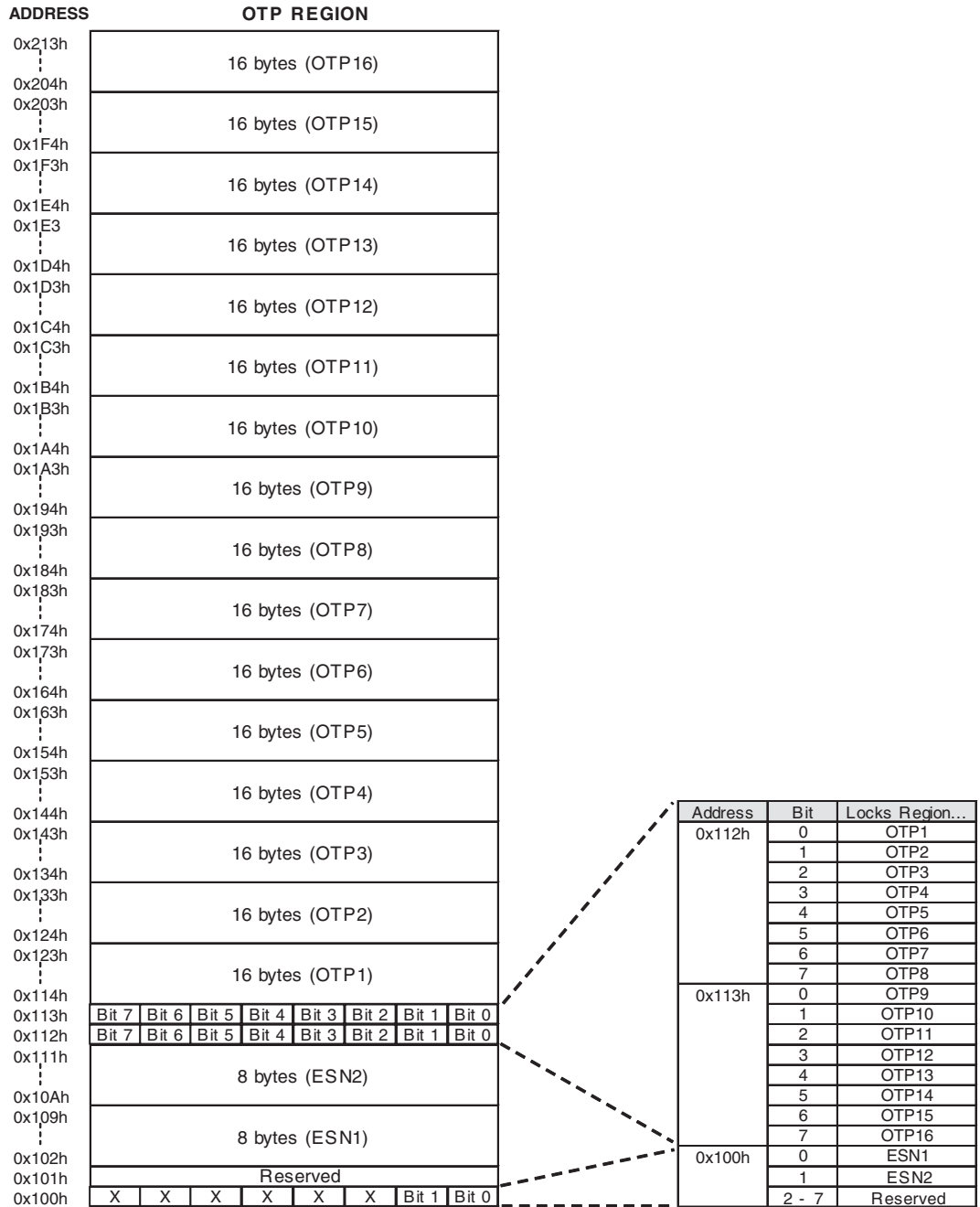
10.2 Reading OTP Data

The protocol of the OTP Read command (4Bh) is the same as that of the Fast Read command. Refer to [Table 9.1](#) for the command description and protocol. The valid address range for OTP Reads is depicted in the figure below. OTP Read operations outside the valid OTP address range will yield indeterminate data.

10.3 Locking OTP Regions

In order to permanently lock the ESN and OTP regions, individual bits at the specified addresses can be set to 1 to lock specific regions of OTP memory, as highlighted in [Figures 10.1](#) and [10.2](#).

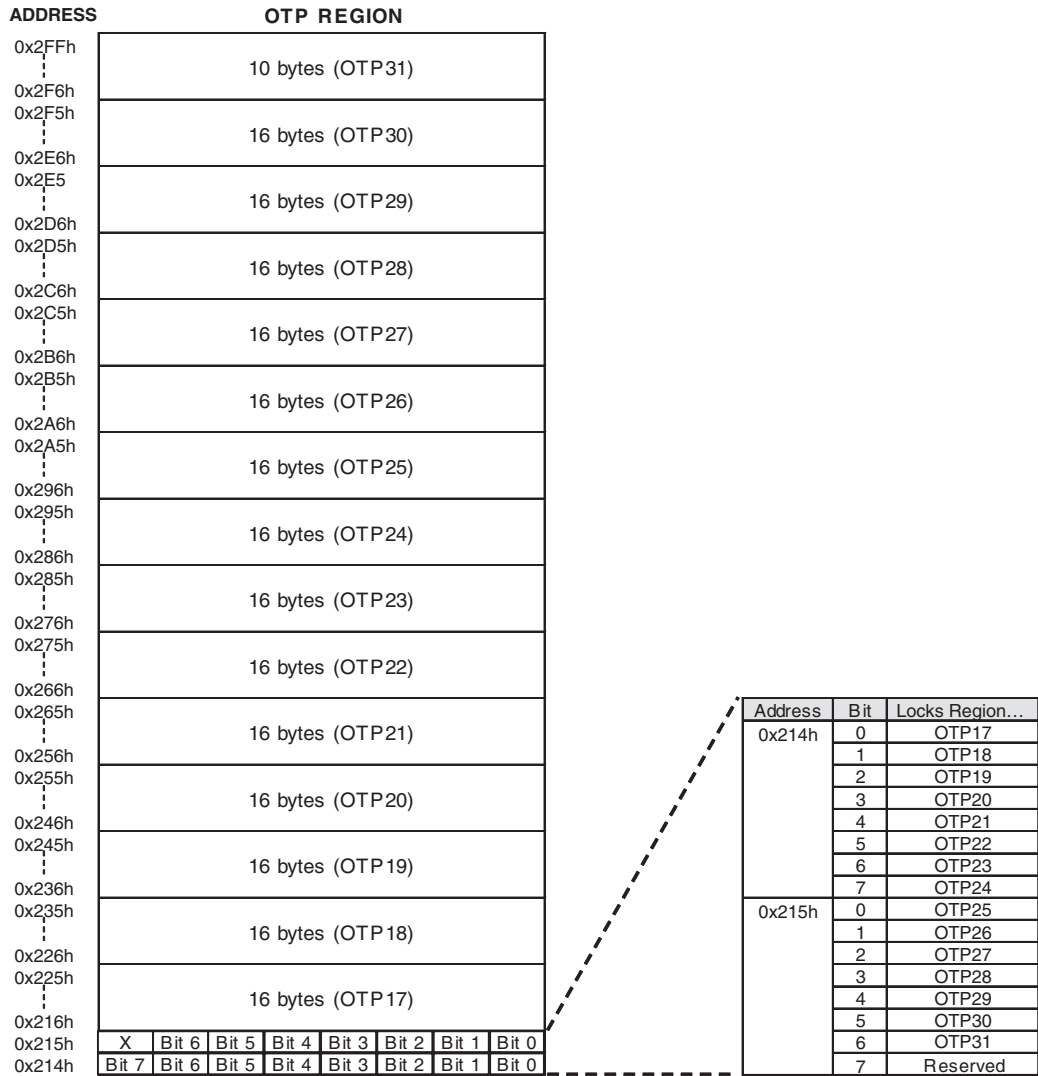
Figure 10.1 OTP Memory Map - Part 1



Notes

1. Bit 0 at address 0x100h locks ESN1 region.
2. Bit 1 at address 0x100h locks ESN2 region.
3. Bits 2-7 ("X") are NOT programmable and will be ignored.

Figure 10.2 OTP Memory Map - Part 2



Note
 1. Bit 7 ("X") at address 0x215h is NOT programmable and will be ignored.

11. Power-up and Power-down

During power-up and power-down, certain conditions must be observed. CS# must follow the voltage applied on V_{CC} , and must not be driven low to select the device until V_{CC} reaches the allowable values as follows (see [Figure 11.1](#) and [Table 11.1 on page 56](#)):

- At power-up, V_{CC} (min.) plus a period of t_{PU}
- At power-down, GND

A pull-up resistor on Chip Select (CS#) typically meets proper power-up and power-down requirements.

No Read, Write Registers, program, or erase command should be sent to the device until V_{CC} rises to the V_{CC} min., plus a delay of t_{PU} . At power-up, the device is in standby mode (not Deep Power-Down mode) and the WEL bit is reset (0).

Each device in the host system should have the V_{CC} rail decoupled by a suitable capacitor close to the package pins (this capacitor is generally of the order of 0.1 μF), as a precaution to stabilizing the V_{CC} feed.

When V_{CC} drops from the operating voltage to below the minimum V_{CC} threshold at power-down, all operations are disabled and the device does not respond to any commands. Note that data corruption may result if a power-down occurs while a Write Registers, program, or erase operation is in progress.

Figure 11.1 Power-Up Timing Diagram

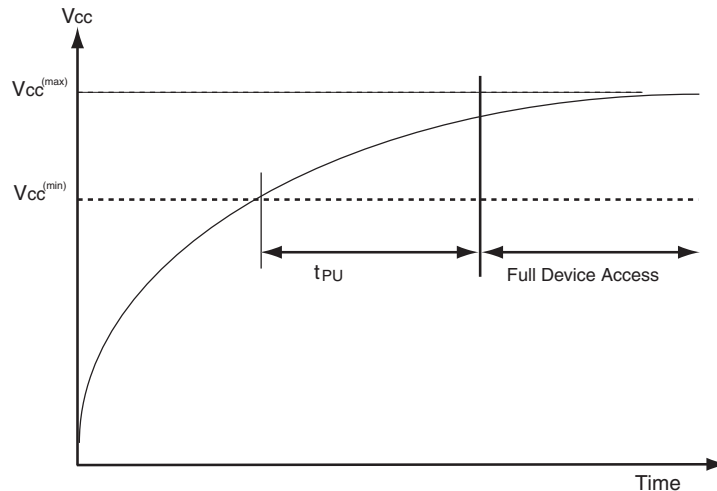


Figure 11.2 Power-down and Voltage Drop

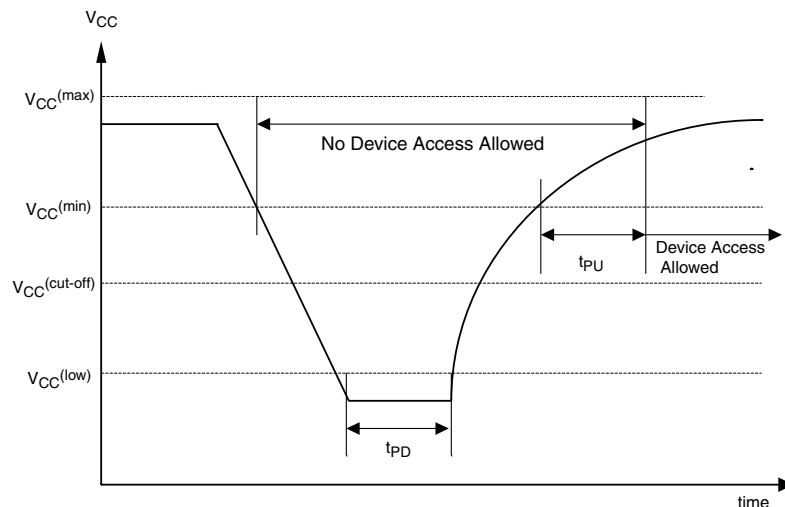


Table 11.1 Power-Up / Power-Down Voltage and Timing

| Symbol | Parameter | Min | Max | Unit |
|-------------------|--|-----|-----|---------|
| $V_{CC(min)}$ | V_{CC} (minimum operation voltage) | 2.7 | | V |
| $V_{CC(cut-off)}$ | V_{CC} (Cut off where re-initialization is needed) | 2.4 | | V |
| $V_{CC(low)}$ | V_{CC} (Low voltage for initialization to occur at read/standby) | 0.2 | | V |
| | V_{CC} (Low voltage for initialization to occur at embedded) | 2.3 | | |
| t_{PU} | $V_{CC(min.)}$ to device operation | 300 | | μs |
| T_{PD} | V_{CC} (low duration time) | 1.0 | | μs |

12. Initial Delivery State

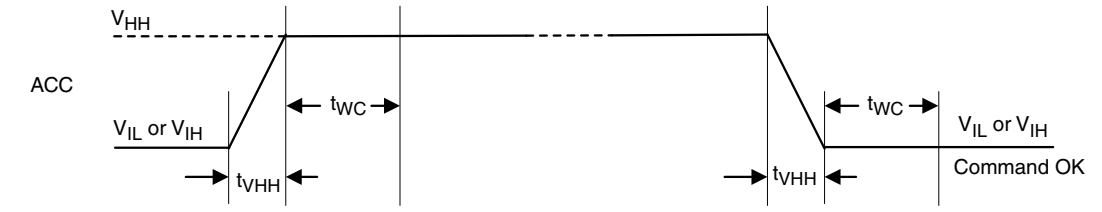
The device is delivered with the memory array erased i.e. all bits are set to 1 (FFh) upon initial factory shipment. The Status Register and Configuration Register contains 00h (all bits are set to 0).

The Lock Register (address 0x100h) is written to 0x01 and ESN1 (addresses 0x102h-0x109h) are written with a 64-bit randomly generated, unique number (taken from [Section 10. on page 52](#)).

13. Program Acceleration via W#/ACC Pin

The program acceleration function requires applying V_{HH} to the W#/ACC input, and then waiting a period of t_{WC} . Minimum t_{VHH} rise and fall times is required for W#/ACC to change to V_{HH} from V_{IL} or V_{IH} . Removing V_{HH} from the W#/ACC pin returns the device to normal operation after a period of t_{WC} .

Figure 13.1 ACC Program Acceleration Timing Requirements



Note

Only Read Status Register (RDSR) and Page Program (PP) operation are allow when ACC is at (V_{HH}).
The W#/ACC pin is disabled during Quad I/O mode.

Table 13.1 ACC Program Acceleration Specifications

| Symbol | Parameter | Min. | Max | Unit |
|-----------|---|------|-----|---------|
| V_{HH} | A_{CC} Pin Voltage High | 8.5 | 9.5 | V |
| t_{VHH} | A_{CC} Voltage Rise and Fall time | 2.2 | | μs |
| t_{WC} | ACC at V_{HH} and V_{IL} or V_{IH} to First command | 5 | | μs |

14. Electrical Specifications

14.1 Absolute Maximum Ratings

| Description | Rating |
|---|------------------------|
| Ambient Storage Temperature | -65°C to +150°C |
| Voltage with Respect to Ground: All Inputs and I/Os | -0.5V to $V_{CC}+0.5V$ |
| Output Short Circuit Current (2) | 200 mA |

Note

1. Minimum DC voltage on input or I/Os is -0.5V. During voltage transitions, inputs or I/Os may undershoot GND to -2.0V for periods of up to 20 ns. See Figure 14.1. Maximum DC voltage on input or I/Os is $V_{CC} + 0.5V$. During voltage transitions inputs or I/Os may overshoot to $V_{CC} + 2.0V$ for periods up to 20 ns. See Figure 14.2.
2. No more than one output may be shorted to ground at a time. Duration of the short circuit should not be greater than one second.
3. Stresses above those listed under "Absolute Maximum Ratings" may cause permanent damage to the device. This is a stress rating only; functional operation of the device at these or any other conditions above those indicated in the operational sections of this data sheet is not implied. Exposure of the device to absolute maximum rating conditions for extended periods may affect device reliability.

Figure 14.1 Maximum Negative Overshoot Waveform

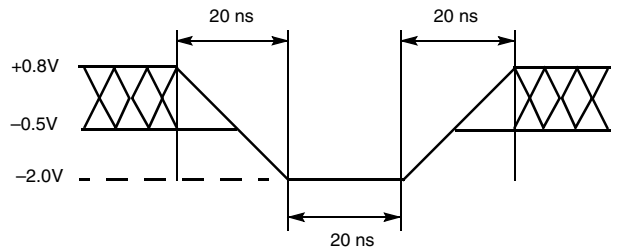
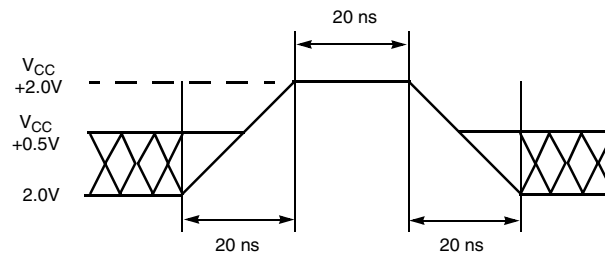


Figure 14.2 Maximum Positive Overshoot Waveform



15. Operating Ranges

Table 15.1 Operating Ranges

| Description | Rating | |
|---|---------------------|-----------------|
| Ambient Operating Temperature (T_A) | Industrial | -40°C to +85°C |
| | Automotive In-Cabin | -40°C to +105°C |
| Positive Power Supply | Voltage Range | 2.7V to 3.6V |

Note

Operating ranges define those limits between which functionality of the device is guaranteed.

16. DC Characteristics

This section summarizes the DC Characteristics of the device. Designers should check that the operating conditions in their circuit match the measurement conditions specified in the Test Specifications in [Table 17.1 on page 59](#), when relying on the quoted parameters.

Table 16.1 DC Characteristics (CMOS Compatible)

| Symbol | Parameter | Test Conditions | Limits | | | Unit |
|------------------|---|--|-----------------------|------|-----------------------|------|
| | | | Min. | Typ* | Max | |
| V _{CC} | Supply Voltage | | 2.7 | | 3.6 | V |
| V _{HH} | ACC Program Acceleration Voltage | V _{CC} = 2.7V to 3.6V | 8.5 | | 9.5 | V |
| V _{IL} | Input Low Voltage | | -0.3 | | 0.3 x V _{CC} | V |
| V _{IH} | Input High Voltage | | 0.7 x V _{CC} | | V _{CC} + 0.5 | V |
| V _{OL} | Output Low Voltage | I _{OL} = 1.6 mA, V _{CC} = V _{CC} min. | | | 0.4 | V |
| V _{OH} | Output High Voltage | I _{OH} = -0.1 mA | V _{CC} -0.6 | | | V |
| I _{LI} | Input Leakage Current | V _{CC} = V _{CC} Max, V _{IN} = V _{CC} or GND | | | ±2 | µA |
| I _{LO} | Output Leakage Current | V _{CC} = V _{CC} Max, V _{IN} = V _{CC} or GND | | | ±2 | µA |
| I _{CC1} | Active Power Supply Current - READ (SO = Open) | At 80 MHz (Dual or Quad) | | | 38 | mA |
| | | At 104 MHz (Serial) | | | 25 | |
| | | At 40 MHz (Serial) | | | 12 | |
| I _{CC2} | Active Power Supply Current (Page Program) | CS# = V _{CC} | | | 26 | mA |
| I _{CC3} | Active Power Supply Current (WRR) | CS# = V _{CC} | | | 15 | mA |
| I _{CC4} | Active Power Supply Current (SE) | CS# = V _{CC} | | | 26 | mA |
| I _{CC5} | Active Power Supply Current (BE) | CS# = V _{CC} | | | 26 | mA |
| I _{SB1} | Standby Current (Industrial Temperature Range Parts) | CS# = V _{CC} ; SO + V _{IN} = GND or V _{CC} | | 80 | 200 | µA |
| | Standby Current (Automotive In-Cabin Temperature Range Parts) | | | 80 | 250 | µA |
| I _{PD} | Deep Power-down Current | CS# = V _{CC} ; SO + V _{IN} = GND or V _{CC} | | 3 | 10 | µA |

*Typical values are at T_{AI} = 25°C and V_{CC} = 3V

17. Test Conditions

Figure 17.1 AC Measurements I/O Waveform

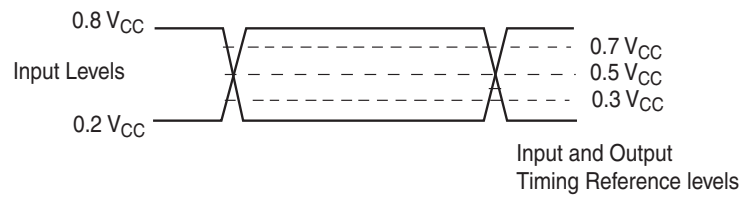


Table 17.1 Test Specifications

| Symbol | Parameter | Min | Max | Unit |
|--------|---------------------------------|------------------------------|-----|------|
| C_L | Load Capacitance | 30 | | pF |
| | Input Rise and Fall Times | 5 | | ns |
| | Input Pulse Voltage | 0.2 V_{CC} to 0.8 V_{CC} | | V |
| | Input Timing Reference Voltage | 0.3 V_{CC} to 0.7 V_{CC} | | V |
| | Output Timing Reference Voltage | 0.5 V_{CC} | | V |

18. AC Characteristics

Figure 18.1 AC Characteristics

| Symbol (Notes) | Parameter (Notes) | Min. (Notes) | Typ (Notes) | Max (Notes) | Unit |
|----------------------|---|--------------|-------------|--|---------|
| f_R | SCK Clock Frequency for READ command | DC | | 40 | MHz |
| | SCK Clock Frequency for RDID command | DC | | 50 | MHz |
| f_C | SCK Clock Frequency for all others: FAST_READ, PP, QPP, P4E, P8E, SE, BE, DP, RES, WREN, WRDI, RDSR, WRR, READ_ID | DC | | 104 (serial) 80 (dual/quad) | MHz |
| t_{WH}, t_{CH} (5) | Clock High Time | 4.5 | | | ns |
| t_{WL}, t_{CL} (5) | Clock Low Time | 4.5 | | | ns |
| t_{CRT}, t_{CLCH} | Clock Rise Time (slew rate) | 0.1 | | | V/ns |
| t_{CFT}, t_{CHCL} | Clock Fall Time (slew rate) | 0.1 | | | V/ns |
| t_{CS} | CS# High Time (Read Instructions) | 10 | | | ns |
| | CS# High Time (Program/Erase) | 50 | | | |
| t_{CSS} | CS# Active Setup Time (relative to SCK) | 3 | | | ns |
| t_{CSH} | CS# Active Hold Time (relative to SCK) | 3 | | | ns |
| $t_{SU:DAT}$ | Data in Setup Time | 3 | | | ns |
| $t_{HD:DAT}$ | Data in Hold Time | 2 | | | ns |
| t_V | Clock Low to Output Valid | 0 | | 8 (Serial) Δ 9.5 (Dual/Quad) Δ 6.5 (Serial) ∞ 8 (Dual/Quad) ∞ 7 (Dual/Quad) Ω | ns |
| t_{HO} | Output Hold Time | 2 | | | ns |
| t_{DIS} | Output Disable Time | | | 8 | ns |
| t_{HLCH} | HOLD# Active Setup Time (relative to SCK) | 3 | | | ns |
| t_{CHHH} | HOLD# Active Hold Time (relative to SCK) | 3 | | | ns |
| t_{HHCH} | HOLD# Non Active Setup Time (relative to SCK) | 3 | | | ns |
| t_{CHHL} | HOLD# Non Active Hold Time (relative to SCK) | 3 | | | ns |
| t_{HZ} | HOLD# enable to Output Invalid | | | 8 | ns |
| t_{LZ} | HOLD# disable to Output Valid | | | 8 | ns |
| t_{WPS} | W#/ACC Setup Time (4) | 20 | | | ns |
| t_{WPH} | W#/ACC Hold Time (4) | 100 | | | ns |
| t_W | WRR Cycle Time | | | 50 | ms |
| t_{PP} | Page Programming (1)(2) | | 1.5 | 3 | ms |
| t_{EP} | Page Programming (ACC = 9V) (1)(2)(3) | | 1.2 | 2.4 | ms |
| t_{SE} | Sector Erase Time (64 KB) (1)(2) | | 0.5 | 2 | sec |
| | Sector Erase Time (256 KB) (1)(2) | | 2 | 8 | sec |
| t_{PE} | Parameter Sector Erase Time (4 KB or 8 KB) (1)(2) | | 200 | 800 | ms |
| t_{BE} | Bulk Erase Time (1)(2) | | 128 | 256 | sec |
| t_{RES} | Deep Power-down to Standby Mode | | | 30 | μ s |
| t_{DP} | Time to enter Deep Power-down Mode | | | 10 | μ s |
| t_{VHH} | ACC Voltage Rise and Fall time | 2.2 | | | μ s |
| t_{WC} | ACC at VHH and VIL or VIH to first command | 5 | | | μ s |

Notes

1. Typical program and erase times assume the following conditions: 25°C, VCC = 3.0V; 10,000 cycles; checkerboard data pattern.
2. Under worst-case conditions of 85°C; VCC = 2.7V; 100,000 cycles.
3. Acceleration mode (9V ACC) only in Program mode, not Erase.
4. Only applicable as a constraint for WRR instruction when SRWD is set to a '1'.
5. $t_{WH} + t_{WL}$ must be less than or equal to $1/f_C$.
6. Δ Full Vcc range (2.7 – 3.6V) and CL = 30 pF
7. ∞ Regulated Vcc range (3.0 – 3.6V) and CL = 30 pF
8. Ω Regulated Vcc range (3.0 – 3.6V) and CL = 15 pF

18.1 Capacitance

| Symbol | Parameter | Test Conditions | Min | Max | Unit |
|-----------|---|-----------------|-----|-----|------|
| C_{IN} | Input Capacitance (applies to SCK, PO7-PO0, SI, CS#) | $V_{OUT} = 0V$ | | 6 | pF |
| C_{OUT} | Output Capacitance (applies to PO7-PO0, SO) | $V_{IN} = 0V$ | | 8 | pF |

Figure 18.2 SPI Mode 0 (0,0) Input Timing

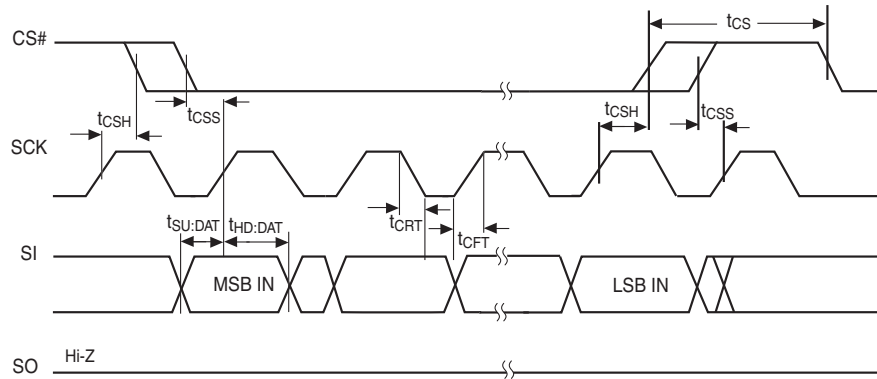


Figure 18.3 SPI Mode 0 (0,0) Output Timing

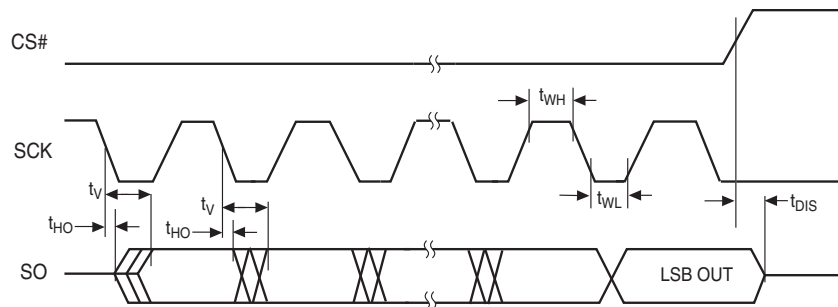


Figure 18.4 HOLD# Timing

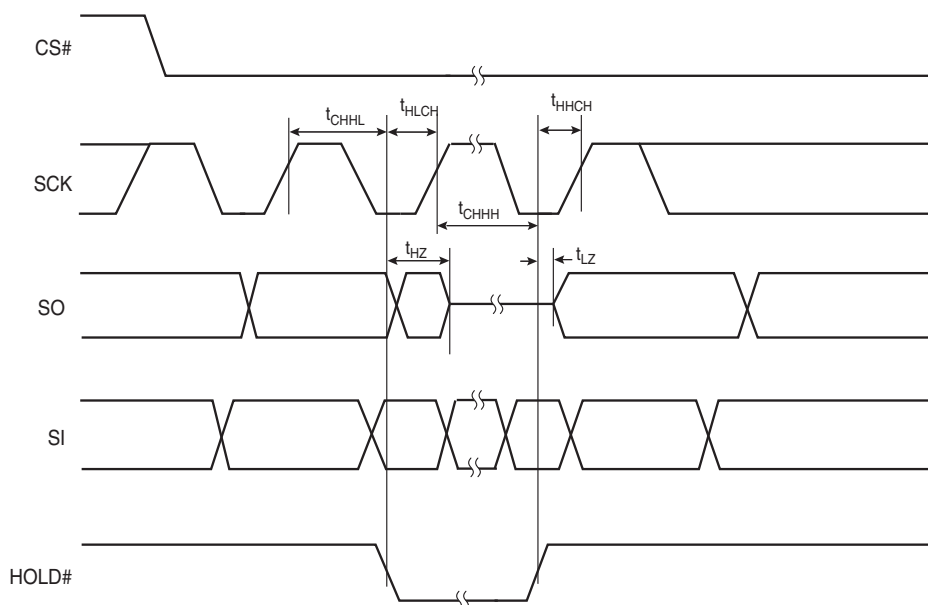
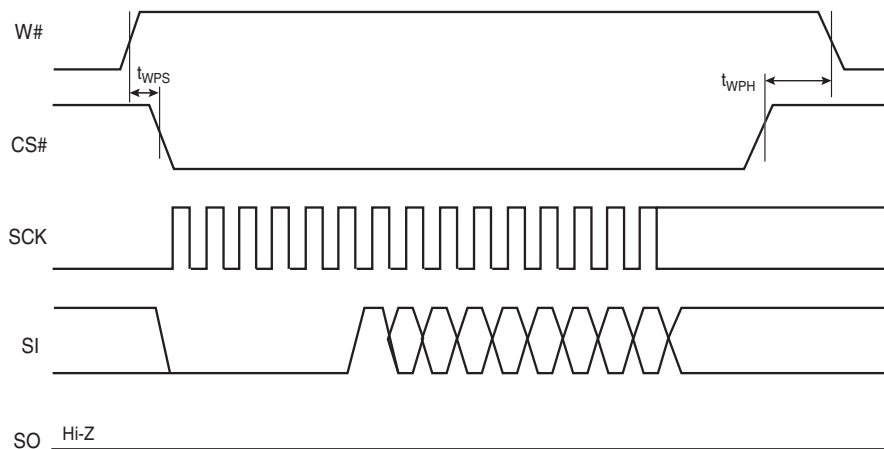
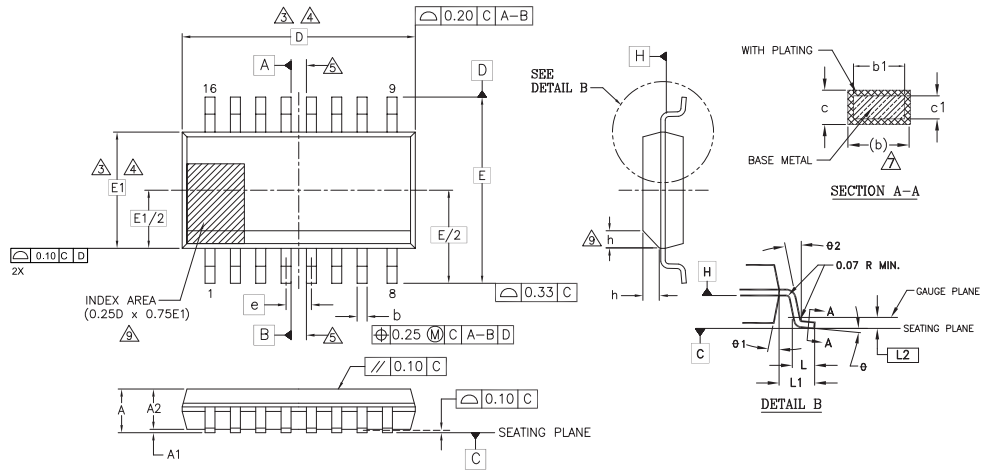


Figure 18.5 Write Protect Setup and Hold Timing during WRR when SRWD = 1



19. Physical Dimensions

19.1 SO3 016 — 16-pin Wide Plastic Small Outline Package (300-mil Body Width)



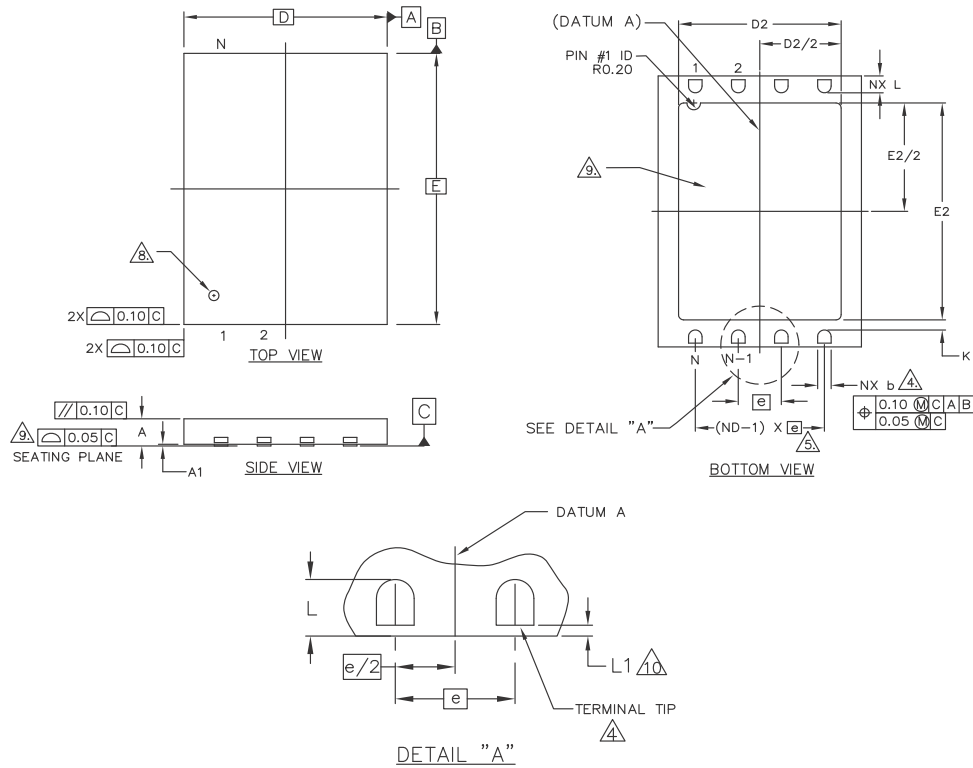
| PACKAGE | SO3 016 (inches) | | SO3 016 (mm) | |
|---------|------------------|-------------|--------------|------|
| | JEDEC | MS-013(E)AA | MS-013(E)AA | |
| SYMBOL | MIN | MAX | MIN | MAX |
| A | 0.093 | 0.104 | 2.35 | 2.65 |
| A1 | 0.004 | 0.012 | 0.10 | 0.30 |
| A2 | 0.081 | 0.104 | 2.05 | 2.55 |
| b | 0.012 | 0.020 | 0.31 | 0.51 |
| b1 | 0.011 | 0.019 | 0.27 | 0.48 |
| c | 0.008 | 0.013 | 0.20 | 0.33 |
| c1 | 0.008 | 0.012 | 0.20 | 0.30 |
| D | 0.406 BSC | | 10.30 BSC | |
| E | 0.406 BSC | | 10.30 BSC | |
| E1 | 0.295 BSC | | 7.50 BSC | |
| e | 0.050 BSC | | 1.27 BSC | |
| L | 0.016 | 0.050 | 0.40 | 1.27 |
| L1 | 0.055 REF | | 1.40 REF | |
| L2 | 0.010 BSC | | 0.25 BSC | |
| N | 16 | | 16 | |
| h | 0.10 | 0.30 | 0.25 | 0.75 |
| theta | 0° | 8° | 0° | 8° |
| theta1 | 5° | 15° | 5° | 15° |
| theta2 | 0° | -- | 0° | -- |

NOTES:

- ALL DIMENSIONS ARE IN BOTH INCHES AND MILLIMETERS.
- DIMENSIONING AND TOLERANCING PER ASME Y14.5M - 1994.
- DIMENSION D DOES NOT INCLUDE MOLD FLASH, PROTRUSIONS OR GATE BURRS. MOLD FLASH, PROTRUSIONS OR GATE BURRS SHALL NOT EXCEED 0.15 mm PER END. DIMENSION E1 DOES NOT INCLUDE INTERLEAD FLASH OR PROTRUSION INTERLEAD FLASH OR PROTRUSION SHALL NOT EXCEED 0.25 mm PER SIDE. D AND E1 DIMENSIONS ARE DETERMINED AT DATUM H.
- THE PACKAGE TOP MAY BE SMALLER THAN THE PACKAGE BOTTOM. DIMENSIONS D AND E1 ARE DETERMINED AT THE OUTMOST EXTREMES OF THE PLASTIC BODY EXCLUSIVE OF MOLD FLASH, TIE BAR BURRS, GATE BURRS AND INTERLEAD FLASH, BUT INCLUDING ANY MISMATCH BETWEEN THE TOP AND BOTTOM OF THE PLASTIC BODY.
- DATUMS A AND B TO BE DETERMINED AT DATUM H.
- "N" IS THE MAXIMUM NUMBER OF TERMINAL POSITIONS FOR THE SPECIFIED PACKAGE LENGTH.
- THE DIMENSIONS APPLY TO THE FLAT SECTION OF THE LEAD BETWEEN 0.10 TO 0.25 mm FROM THE LEAD TIP.
- DIMENSION "b" DOES NOT INCLUDE DAMBAR PROTRUSION. ALLOWABLE DAMBAR PROTRUSION SHALL BE 0.10 mm TOTAL IN EXCESS OF THE "b" DIMENSION AT MAXIMUM MATERIAL CONDITION. THE DAMBAR CANNOT BE LOCATED ON THE LOWER RADIUS OF THE LEAD FOOT.
- THIS CHAMFER FEATURE IS OPTIONAL. IF IT IS NOT PRESENT, THEN A PIN 1 IDENTIFIER MUST BE LOCATED WITHIN THE INDEX AREA INDICATED.
- LEAD COPLANARITY SHALL BE WITHIN 0.10 mm AS MEASURED FROM THE SEATING PLANE.

g1011f2 116-038,3 14, 1.11

19.2 WSON 8-contact (6 x 8 mm) No-Lead Package (WNF008)



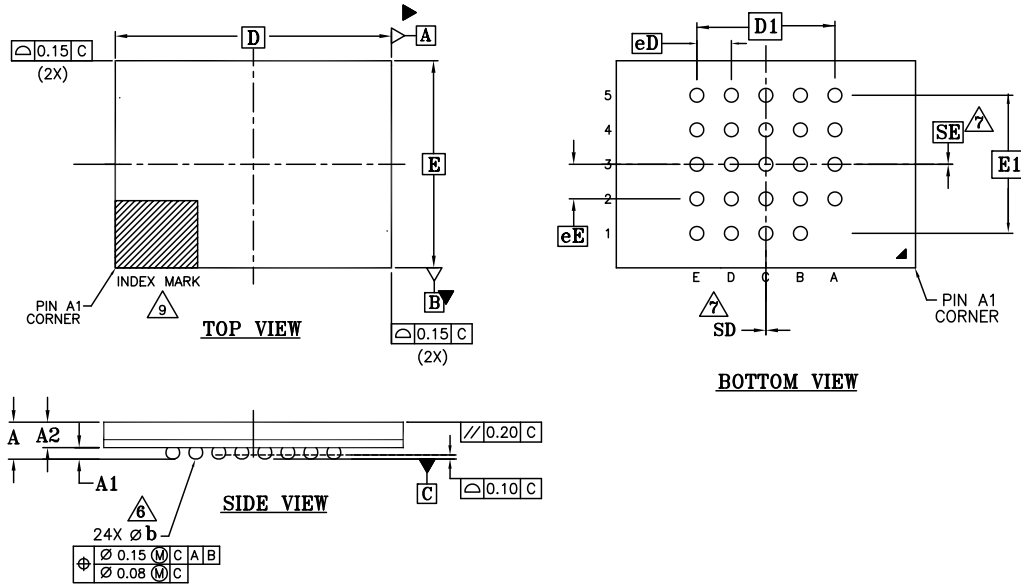
| PACKAGE | WNF008 | | | |
|---------|-----------|------|------|------|
| SYMBOL | MIN | NOM | MAX | NOTE |
| e | 1.27 BSC. | | | |
| N | 8 | | | 3 |
| ND | 4 | | | 5 |
| L | 0.45 | 0.50 | 0.55 | |
| b | 0.35 | 0.40 | 0.45 | 4 |
| D2 | 4.70 | 4.80 | 4.90 | |
| E2 | 5.70 | 5.80 | 5.90 | |
| D | 6.00 BSC | | | |
| E | 8.00 BSC | | | |
| A | 0.70 | 0.75 | 0.80 | |
| A1 | 0.00 | 0.02 | 0.05 | |
| K | 0.20 MIN. | | | |
| L1 | 0.00 | --- | 0.15 | 10 |

NOTES:

1. DIMENSIONING AND TOLERANCING CONFORMS TO ASME Y14.5M - 1994.
2. ALL DIMENSIONS ARE IN MILLIMETERS.
3. N IS THE TOTAL NUMBER OF TERMINALS.
4. DIMENSION "b" APPLIES TO METALLIZED TERMINAL AND IS MEASURED BETWEEN 0.15 AND 0.30mm FROM TERMINAL TIP. IF THE TERMINAL HAS THE OPTIONAL RADIUS ON THE OTHER END OF THE TERMINAL, THE DIMENSION "b" SHOULD NOT BE MEASURED IN THAT RADIUS AREA.
5. ND REFER TO THE NUMBER OF TERMINALS ON D SIDE.
6. MAX. PACKAGE WARPAGE IS 0.05mm.
7. MAXIMUM ALLOWABLE BURRS IS 0.076mm IN ALL DIRECTIONS.
8. PIN #1 ID ON TOP WILL BE LASER MARKED.
9. BILATERAL COPLANARITY ZONE APPLIES TO THE EXPOSED HEAT SINK SLUG AS WELL AS THE TERMINALS.
10. A MAXIMUM 0.15mm PULL BACK (L1) MAY BE PRESENT.

g1015 \ 16-038.30 \ 07.21.11

19.3 FAB024 — 24-ball Ball Grid Array (6 x 8 mm) package



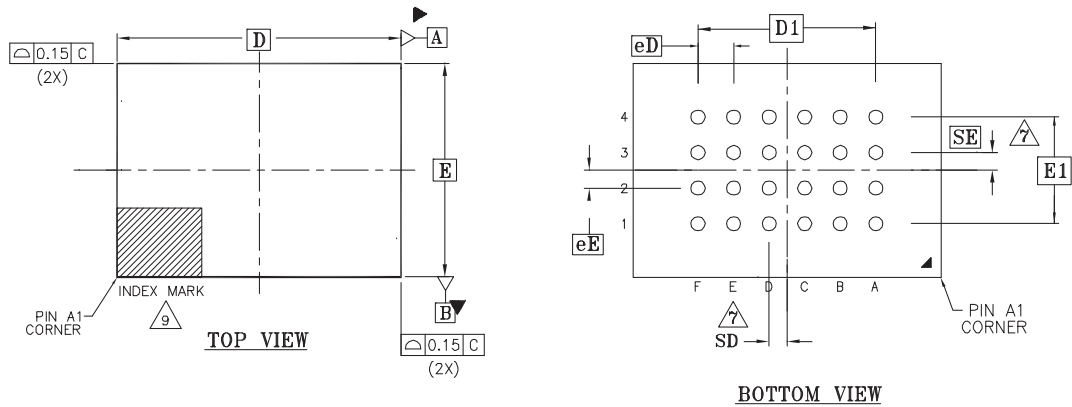
| PACKAGE | FAB024 | | | |
|---------|-----------|------|------|-----------------------------|
| JEDEC | N/A | | | |
| SYMBOL | MIN. | NOM. | MAX. | NOTE |
| A | — | — | 1.20 | OVERALL THICKNESS |
| A1 | 0.20 | — | — | BALL HEIGHT |
| A2 | 0.70 | — | 0.90 | BODY THICKNESS |
| D | 8.00 BSC. | | | BODY SIZE |
| E | 6.00 BSC. | | | BODY SIZE |
| D1 | 4.00 BSC. | | | BALL FOOTPRINT |
| E1 | 4.00 BSC. | | | BALL FOOTPRINT |
| MD | 5 | | | ROW MATRIX SIZE D DIRECTION |
| ME | 5 | | | ROW MATRIX SIZE E DIRECTION |
| N | 24 | | | TOTAL BALL COUNT |
| øb | 0.35 | 0.40 | 0.45 | BALL DIAMETER |
| e | 1.00 BSC. | | | BALL PITCH |
| SD/SE | 0.00 | | | SOLDER BALL PLACEMENT |
| | A1 | | | DEPOPULATED SOLDER BALLS |
| | I | | | PACKAGE OUTLINE TYPE |

NOTES:

- DIMENSIONING AND TOLERANCING METHODS PER ASME Y14.5M-1994.
- ALL DIMENSIONS ARE IN MILLIMETERS.
- BALL POSITION DESIGNATION PER JEP95, SECTION 4.3, SPP-010.
- [e] REPRESENTS THE SOLDER BALL GRID PITCH.
- SYMBOL "MD" IS THE BALL MATRIX SIZE IN THE "D" DIRECTION. SYMBOL "ME" IS THE BALL MATRIX SIZE IN THE "E" DIRECTION. n IS THE NUMBER OF POPULATED SOLDER BALL POSITIONS FOR MATRIX SIZE MD X ME.
- ⚠ DIMENSION "b" IS MEASURED AT THE MAXIMUM BALL DIAMETER IN A PLANE PARALLEL TO DATUM C.
- ⚠ SD AND SE ARE MEASURED WITH RESPECT TO DATUMS A AND B AND DEFINE THE POSITION OF THE CENTER SOLDER BALL IN THE OUTER ROW.
- WHEN THERE IS AN ODD NUMBER OF SOLDER BALLS IN THE OUTER ROW SD OR SE = 0.000.
- WHEN THERE IS AN EVEN NUMBER OF SOLDER BALLS IN THE OUTER ROW, SD OR SE = $\frac{e}{2}$
- "+" INDICATES THE THEORETICAL CENTER OF DEPOPULATED BALLS.
- ⚠ A1 CORNER TO BE IDENTIFIED BY CHAMFER, LASER OR INK MARK, METALLIZED MARK INDENTATION OR OTHER MEANS.

4002/F16-038 Rev.A /6.04.09

19.4 FAC024 — 24-ball Ball Grid Array (6 x 8 mm) package



| PACKAGE | FAC024 | | | NOTE |
|---------|-------------------------------|------|------|--------------------------|
| JEDEC | N/A | | | |
| D x E | 8.00 mm x 6.00 mm NOM PACKAGE | | | |
| SYMBOL | MIN | NOM | MAX | |
| A | --- | --- | 1.20 | PROFILE |
| A1 | 0.25 | --- | --- | BALL HEIGHT |
| A2 | 0.70 | --- | 0.90 | BODY THICKNESS |
| D | 8.00 BSC. | | | BODY SIZE |
| E | 6.00 BSC. | | | BODY SIZE |
| D1 | 5.00 BSC. | | | MATRIX FOOTPRINT |
| E1 | 3.00 BSC. | | | MATRIX FOOTPRINT |
| MD | 6 | | | MATRIX SIZE D DIRECTION |
| ME | 4 | | | MATRIX SIZE E DIRECTION |
| N | 24 | | | BALL COUNT |
| Øb | 0.35 | 0.40 | 0.45 | BALL DIAMETER |
| e | 1.00 BSC. | | | BALL PITCHL |
| SD/ SE | 0.5/0.5 | | | SOLDER BALL PLACEMENT |
| | | | | DEPOPULATED SOLDER BALLS |
| | J | | | PACKAGE OUTLINE TYPE |

NOTES:

- DIMENSIONING AND TOLERANCING METHODS PER ASME Y14.5M-1994.
- ALL DIMENSIONS ARE IN MILLIMETERS.
- BALL POSITION DESIGNATION PER JEP95, SECTION 4.3, SPP-010.
- [e] REPRESENTS THE SOLDER BALL GRID PITCH.
- SYMBOL "MD" IS THE BALL MATRIX SIZE IN THE "D" DIRECTION.
SYMBOL "ME" IS THE BALL MATRIX SIZE IN THE "E" DIRECTION.
n IS THE NUMBER OF POPULATED SOLDER BALL POSITIONS FOR MATRIX SIZE MD X ME.
- △6 DIMENSION "b" IS MEASURED AT THE MAXIMUM BALL DIAMETER IN A PLANE PARALLEL TO DATUM C.
DATUM C IS THE SEATING PLANE AND IS DEFINED BY THE CROWNS OF THE SOLDER BALLS.
- △7 SD AND SE ARE MEASURED WITH RESPECT TO DATUMS A AND B AND DEFINE THE POSITION OF THE CENTER SOLDER BALL IN THE OUTER ROW.
WHEN THERE IS AN ODD NUMBER OF SOLDER BALLS IN THE OUTER ROW SD OR SE = 0.000.
WHEN THERE IS AN EVEN NUMBER OF SOLDER BALLS IN THE OUTER ROW, SD OR SE = e/2
- "+" INDICATES THE THEORETICAL CENTER OF DEPOPULATED BALLS.
- △9 A1 CORNER TO BE IDENTIFIED BY CHAMFER, LASER OR INK MARK, METALLIZED MARK INDENTATION OR OTHER MEANS.
- 10 OUTLINE AND DIMENSIONS PER CUSTOMER REQUIREMENT.

3642 F16-038.9\ 09.10.09

20. Revision History

| Section | Description |
|--|--|
| Revision 01 (May 26, 2009) | |
| | Initial release. |
| Revision 02 (June 22, 2009) | |
| Quad Page Programming | Corrected description. |
| Configuration Register | Removed the Note in the bottom of the page. Added Suggested cross setting table. |
| Data Protection Modes | Corrected description for Software Protected Mode. |
| Accelerated Programming Operation | Added Note. |
| Read Identification (RDID) | Corrected description. Added statement for operating clock frequency. Corrected figure. |
| Read Status Register (RDSR) | Added statement for operating clock frequency. |
| Read Configuration Register (RCR) | Added reference section. |
| Write Registers (WRR) | Added Note for Hardware Protect Mode. Removed all occurrences of Quad operations. |
| Parameter Sector Erase (P4E, P8E) | Corrected description. Added Note. |
| Sector Erase (SE) | Corrected description. |
| Release from Deep Power-down (RES) | Added Note. |
| Release from Deep Power-down and Read Electronic Signature (RES) | Added Note. |
| OTP Regions | Corrected description for ESN. Added ESN table. |
| Initial Delivery State | Added description for the Rock Register. |
| AC Characteristics | Corrected description of Note. |
| Physical Dimensions | Added BGA package. |
| Revision 03 (October 14, 2009) | |
| Global | Changed datasheet designation from Advanced Information to Preliminary Changed all references to RDID clock rate from 40 to 50 MHz |
| Connection Diagrams | Added note regarding exposed central pad on bottom of package to the WSON connection diagram Added "5 x 5 pin configuration" to Figure 2.3 title Added 6 x 4 pin configuration BGA connection diagram |
| Ordering Information | Added 20, 21, 30, and 31 model numbers for BGA packages Added Automotive In-Cabin temperature ordering option Added Low-Halogen material option |
| Valid Combinations | Changed valid BGA model number combinations to 20, 21, 30, and 31 Changed valid BGA material option to Low-Halogen Added Automotive In-Cabin temperature valid combinations for all packages Added Note 2 regarding contact factory for availability of Automotive In-Cabin temperature grade parts |
| Physical Dimensions | Added FAC024 BGA package |
| DC Characteristics | Added Note 1 indicating that I_{CSB1} maximum value only applies to Industrial temperature grade parts |
| AC Characteristics | Added min and max values for Sector Erase Time (256 KB) |

| Section | Description |
|---|---|
| Revision 04 (November 2, 2009) | |
| Ordering Information | Removed Note 2 |
| DC Characteristics | Added separate Standby Current values for Industrial and Automotive In-Cabin temperature range parts. Removed Note 1. |
| Revision 05 (August 12, 2010) | |
| Global | The data sheet went from a "Preliminary" designation to full production. |
| Sector Address Table | In Table 8.2, corrected the End Address of SS30 from 01E000h to 01EFFFh. |
| Command Definitions | In Table 9.1, corrected the QIOR one byte command code from 1110 1111 to 1110 1011. |
| Read Identification | In Table 9.5 added CFI data of bytes 2Dh to 34h for the 256 KB sector products. |
| Sector Erase | Clarified that the device only executes a SE command for those sectors which are not protected by the Block Protect Bits. |
| Operating Ranges | Added the Automotive In-Cabin range. |
| Revision 06 (October 1, 2010) | |
| Configuration Register | Clarified that TBPARM and TBPROT must be selected at the initial configuration of the device, before any program or erase operations. |
| Command Definitions | In the Instruction Set table, corrected the CLSR Data Byte Cycle value from 1 to 0. |
| Sector Erase (SE) | Clarified that a 64 KB sector erase command will work on 4 KB and 8 KB sectors. |
| Clear Status Register | Removed incomplete statement regarding internal state machine. |
| OTP Regions | Clarified that for locking OTP regions, setting the bit refers to changing the value from 0 to 1. |
| Revision 07 (May 16, 2012) | |
| Global | Added text for recommending FL128S as migration device. |
| Revision 08 (September 21, 2012) | |
| AC Characteristics | Changed Output Hold Time (t_{HO}) to 2 ns (min). |
| Physical Dimensions | Updated the package outline drawing for SO3016 and WSON 6x8 packages. |

Colophon

The products described in this document are designed, developed and manufactured as contemplated for general use, including without limitation, ordinary industrial use, general office use, personal use, and household use, but are not designed, developed and manufactured as contemplated (1) for any use that includes fatal risks or dangers that, unless extremely high safety is secured, could have a serious effect to the public, and could lead directly to death, personal injury, severe physical damage or other loss (i.e., nuclear reaction control in nuclear facility, aircraft flight control, air traffic control, mass transport control, medical life support system, missile launch control in weapon system), or (2) for any use where chance of failure is intolerable (i.e., submersible repeater and artificial satellite). Please note that Spansion will not be liable to you and/or any third party for any claims or damages arising in connection with above-mentioned uses of the products. Any semiconductor devices have an inherent chance of failure. You must protect against injury, damage or loss from such failures by incorporating safety design measures into your facility and equipment such as redundancy, fire protection, and prevention of over-current levels and other abnormal operating conditions. If any products described in this document represent goods or technologies subject to certain restrictions on export under the Foreign Exchange and Foreign Trade Law of Japan, the US Export Administration Regulations or the applicable laws of any other country, the prior authorization by the respective government entity will be required for export of those products.

Trademarks and Notice

The contents of this document are subject to change without notice. This document may contain information on a Spansion product under development by Spansion. Spansion reserves the right to change or discontinue work on any product without notice. The information in this document is provided as is without warranty or guarantee of any kind as to its accuracy, completeness, operability, fitness for particular purpose, merchantability, non-infringement of third-party rights, or any other warranty, express, implied, or statutory. Spansion assumes no liability for any damages of any kind arising out of the use of the information in this document.

Copyright © 2009-2012 Spansion Inc. All rights reserved. Spansion®, the Spansion logo, MirrorBit®, MirrorBit® Eclipse™, ORNAND™ and combinations thereof, are trademarks and registered trademarks of Spansion LLC in the United States and other countries. Other names used are for informational purposes only and may be trademarks of their respective owners.