

HIGH FREQUENCY MAGNETICS

T1/E1 Quad Transformer Module

- Four transformers in one surface-mount 24-pin package
- Optimized for balanced twisted pair line impedances: 100Ω and 120Ω
- Integrated common-mode chokes for maximum EMI suppression
- Meets ITU-T G.703 return loss from -40° to +85° C
- Center taps provided for optional Simplex line powering
- Operating temperature range -40° to +85° C
- Meets IEC 695, 2-2 flammability requirements
- PWB Process Capability: Standard Printed Wiring Board assembly techniques, total-immersion cleaning
- Reliability testing: Shock, vibration, temperature cycling, temperature - humidity - bias
- Interwinding breakdown voltage: 1500 Vrms, min

ELECTRICAL SPECIFICATIONS AT 25° C

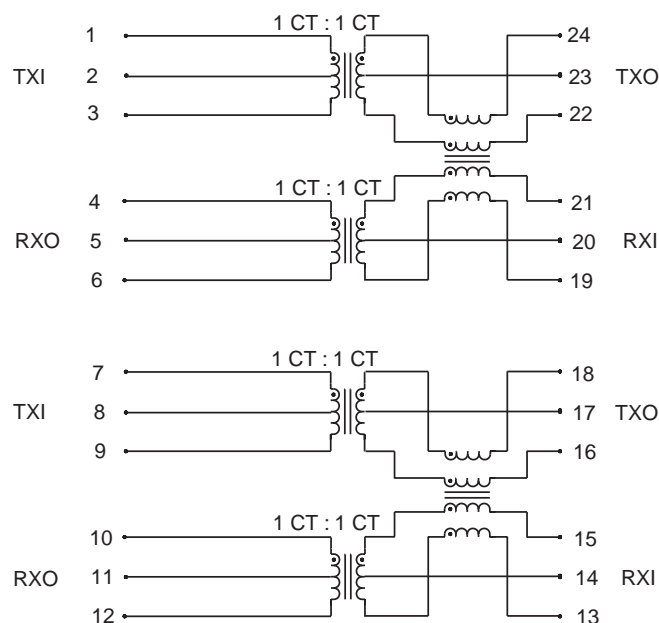
Part Number	Ratios			Inductance ¹ mH min		Leakage Inductance ² μH max		DCR Ω max		Interwinding Capacitance pF max
		TXI : TXO	RXI : RXO	TXI	RXO	TXI	RXO	TXI RXO	TXO RXI	
S553-6500-80	N ± 2%	1 CT : 1 CT	1 CT : 1 CT	1.8	1.8	0.5	0.5	0.7	1.4	35
	Z (T1)	100Ω : 100Ω	100Ω : 100Ω							
	Z (E1)	120Ω : 120Ω	120Ω : 120Ω							

1. Measured at 10 kHz

2. Measured at 1 MHz with all other secondary windings shorted

SCHEMATIC

S553-6500-80

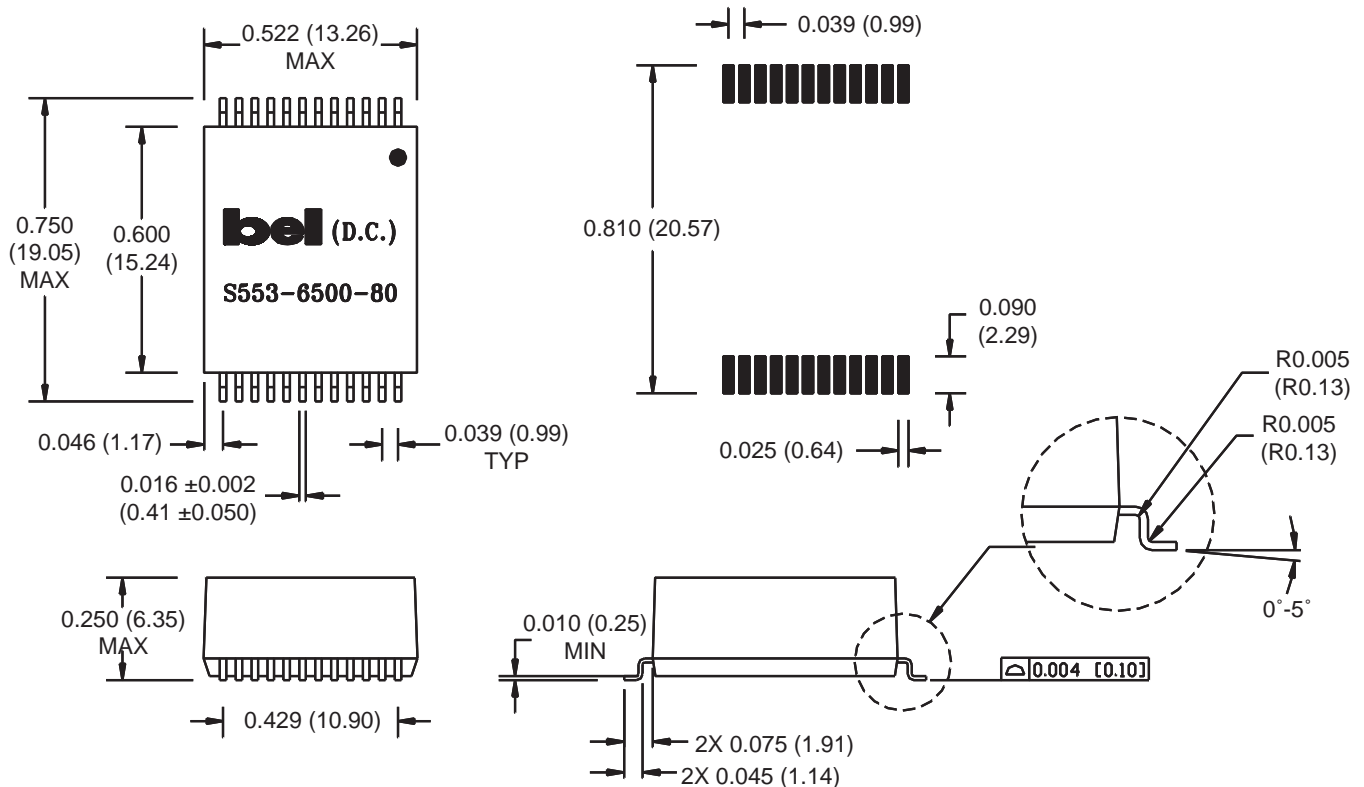


©2001 Bel Fuse Inc. Specifications subject to change without notice. 11.01

TM01100

MECHANICAL

S553-6500-80



Dimensions are in inches (millimeters).
Standard dimension tolerance is ±0.005(0.13) unless otherwise noted.

Tape and Reel Packaging

24 mm wide by 24mm pitch; 13 inch OD, 4 inch ID
280 transformers per reel, maximum
Meets ANSI/EIA 481-2 Carrier Tape Standards-JEDEC SO Package

©2001 Bel Fuse Inc. Specifications subject to change without notice. 11.01

CORPORATE

Bel Fuse Inc.
206 Van Vorst Street
Jersey City, NJ 07302
Tel 201-432-0463
Fax 201-432-9542
www.belfuse.com

FAR EAST

Bel Fuse Ltd.
8F / 8 Luk Hop Street
San Po Kong
Kowloon, Hong Kong
Tel 852-2328-5515
Fax 852-2352-3706
www.belfuse.com

EUROPE

Bel Fuse Europe Ltd.
Preston Technology Management Centre
Marsh Lane, Suite G7, Preston
Lancashire, PR1 8UD, U.K.
Tel 44-1772-556601
Fax 44-1772-888366
www.belfuse.com