

# 10BASE-T LAN MAGNETICS

## Dual Transformer Modules

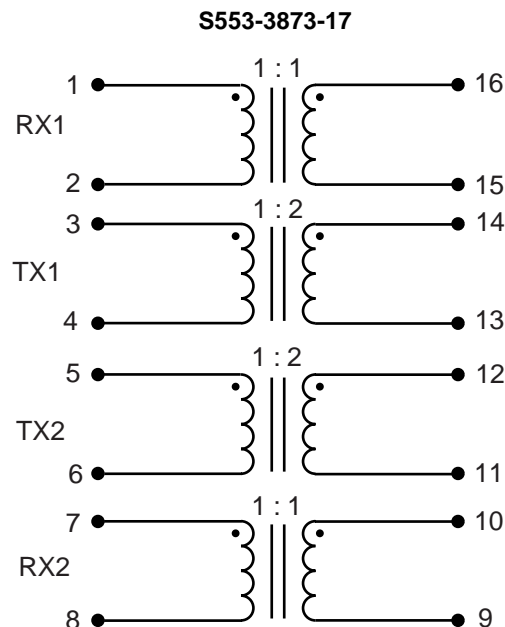
LM00503

- Dual designs for two-port configurations maximize space and cost efficiencies
- S556-5999-30 includes inductors for use with additional differential filtering
- Low profile, surface mount packaging rated to 225° C peak IR reflow temperature
- Operating temperature 0° to 70° C
- Minimum interwinding breakdown voltage of 1500 Vrms

### ELECTRICAL SPECIFICATIONS AT 25° C

Part Number	Turns Ratio ±2%		Insertion Loss dB max	Return Loss dB min	Common to Common Mode Rejection dB min		Crosstalk dB min
	TX	RX			1MHz to 10MHz	30MHz to 100MHz	
S553-3873-17	1 : 2	1 : 1	-0.8	-20	---	---	-40
S553-5841-14	1CT : 1.41	1 : 1	-1.0	-15	-40	-30	-35
S556-5841-09	1CT : 1	1CT : 1	-1.0	-20	-40	-30	-40
S556-5999-30	1 : 2	1 : 1	-0.5	-20	---	---	-40

### SCHEMATICS

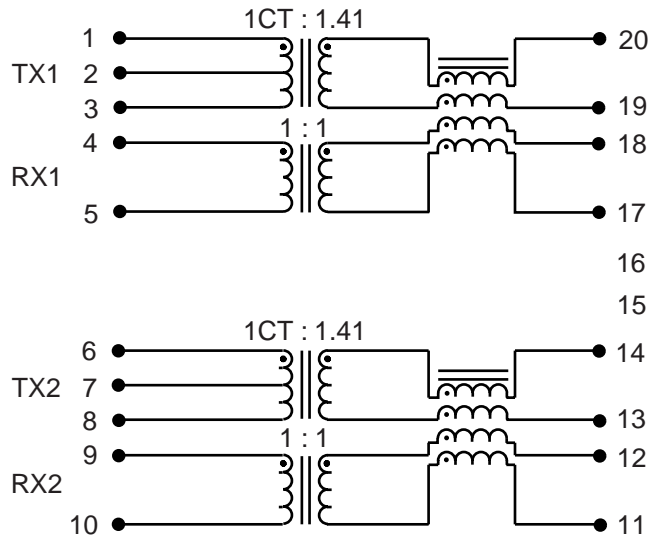


©2001 Bel Fuse Inc. Specifications subject to change without notice. 09.01

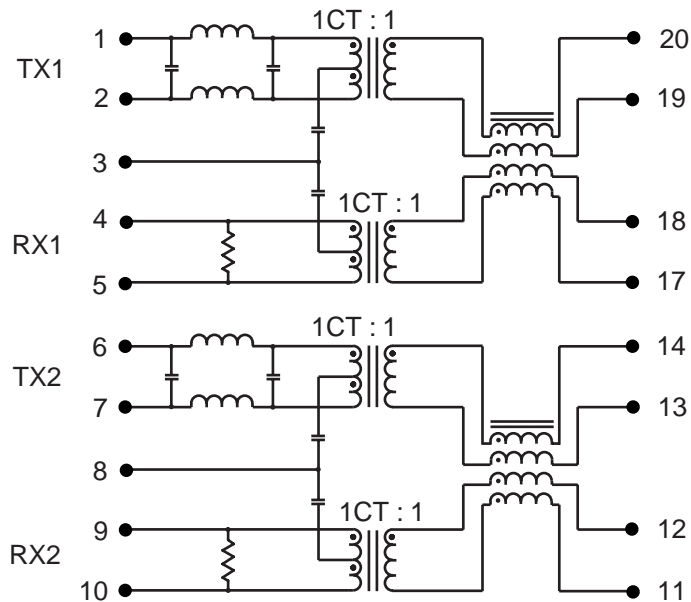
## 10BASE-T LAN MAGNETICS Dual Transformer Modules

### SCHEMATICS

S553-5841-14



S556-5841-09



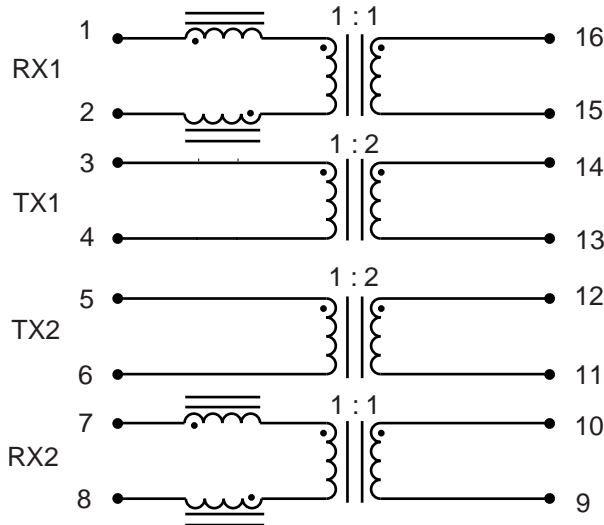
# 10BASE-T LAN MAGNETICS

## Dual Transformer Modules

LM00503

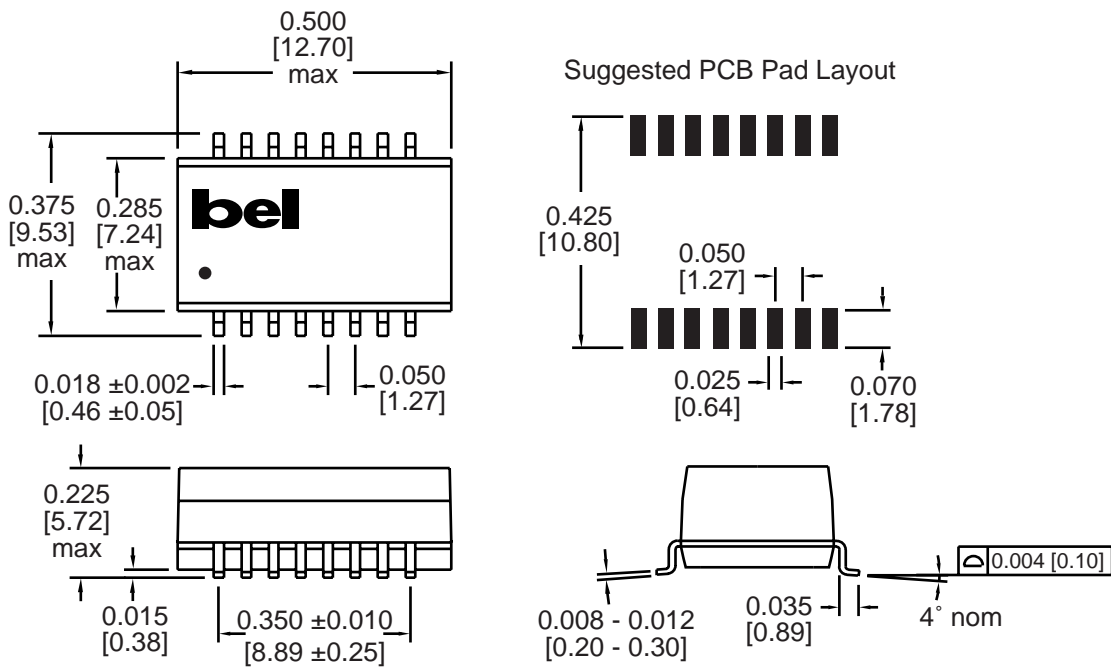
### SCHEMATICS

S556-5999-30



### MECHANICALS

S553-3873-17  
S556-5999-30

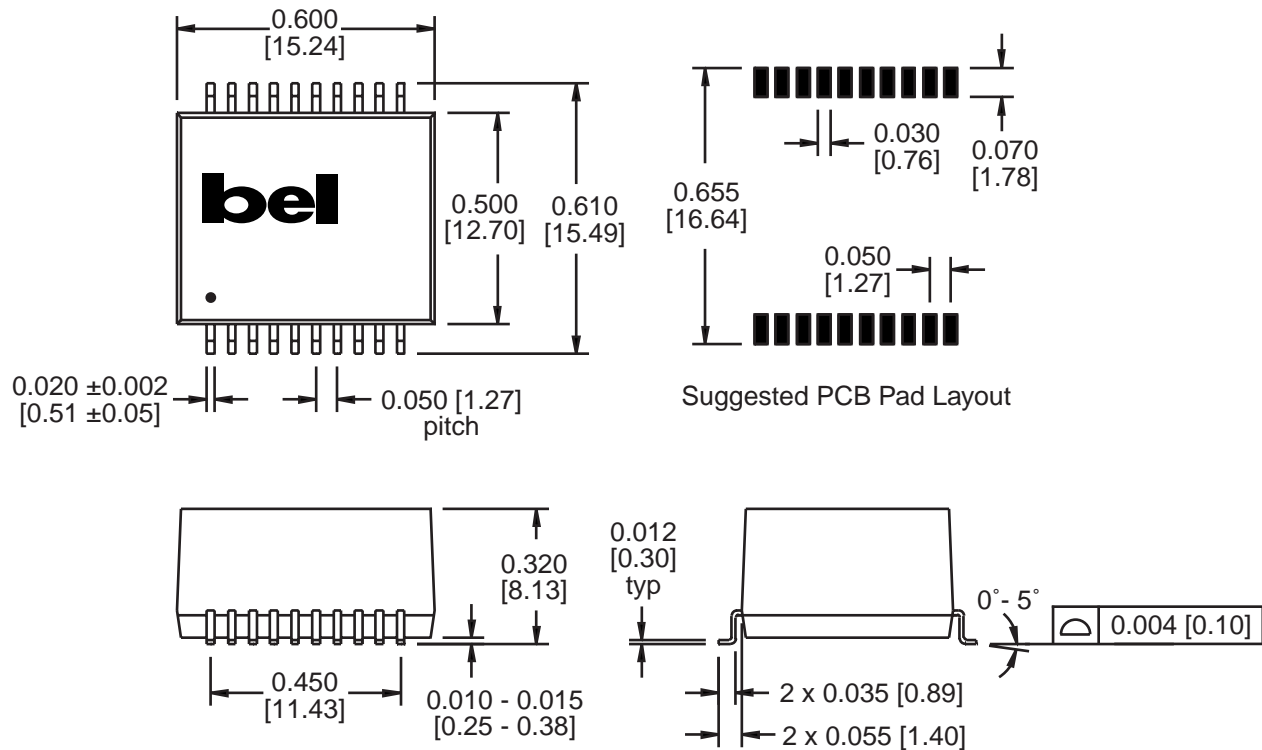


Dimensions are in inches [millimeters].

Standard dimension tolerance is  $\pm 0.005$  [0.13] unless otherwise noted.

### MECHANICALS

S553-5841-14  
S556-5841-09



Dimensions are in inches [millimeters].  
Standard dimension tolerance is  $\pm 0.010$  [0.25] unless otherwise noted.

#### CORPORATE

**Bel Fuse Inc.**  
206 Van Vorst Street  
Jersey City, NJ 07302  
Tel 201-432-0463  
Fax 201-432-9542  
www.belfuse.com

L5-14

#### FAR EAST

**Bel Fuse Ltd.**  
8F / 8 Luk Hop Street  
San Po Kong  
Kowloon, Hong Kong  
Tel 852-2328-5515  
Fax 852-2352-3706  
www.belfuse.com

#### EUROPE

**Bel Fuse Europe Ltd.**  
Preston Technology Management Centre  
Marsh Lane, Suite G7, Preston  
Lancashire, PR1 8UD, U.K.  
Tel 44-1772-556601  
Fax 44-1772-888366  
www.belfuse.com