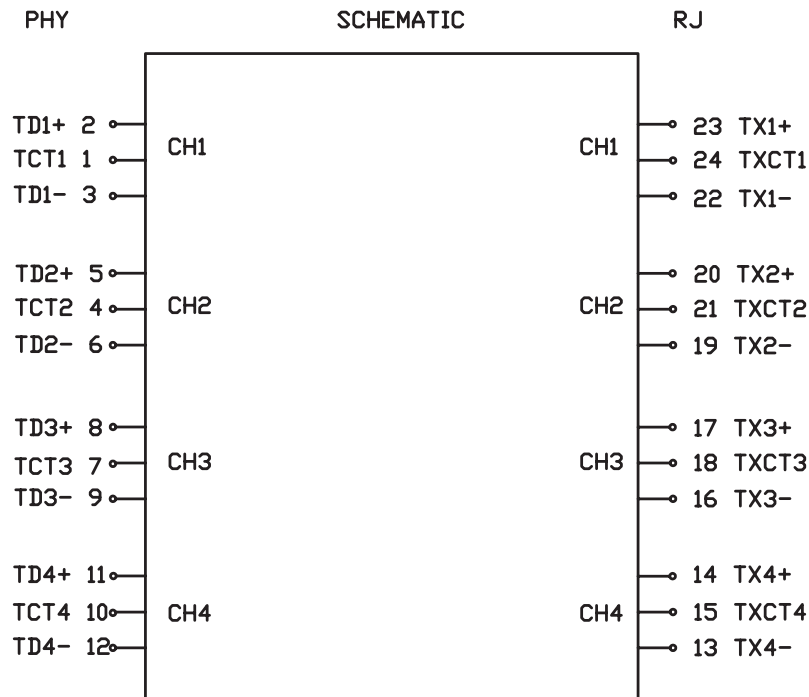


10GBASE-T ETHERNET MAGNETICS

S558-10GB-07 Single Port Transformer Module



ELECTRICAL SPECIFICATION @25°C



URNS RATIO

(2-3) : (23-22)
 (5-6) : (20-19)
 (8-9) : (17-16)
 (11-12) : (14-13)

1CT : 1CT
 1CT : 1CT
 1CT : 1CT
 1CT : 1CT

POLARITY

CH1, CH2, CH3, CH4

2°&23°, 5°&20°
 8°&17°, 11°&14°

INDUCTANCE

(2-3) = (5-6) = (8-9) = (11-12)

160uH MIN.
 @0.1Vrms, 100kHz

HIPOT

1500Vrms MIN @60 SEC

INSERTION LOSS

FREQ.(MHz)	1	2-50	200	400	500
MAX. (dB)	-1.0	-0.5	-1.0	-2.0	-3.0

RETURN LOSS

FREQ.(MHz)	1	2-100	200	400	500
MIN. (dB)	-18	-13	-10	-7	-6

COMM. TO DIFF. MODE REJECTION RATIO

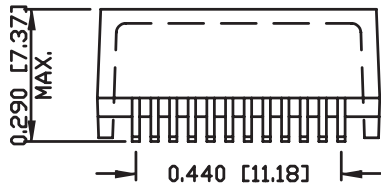
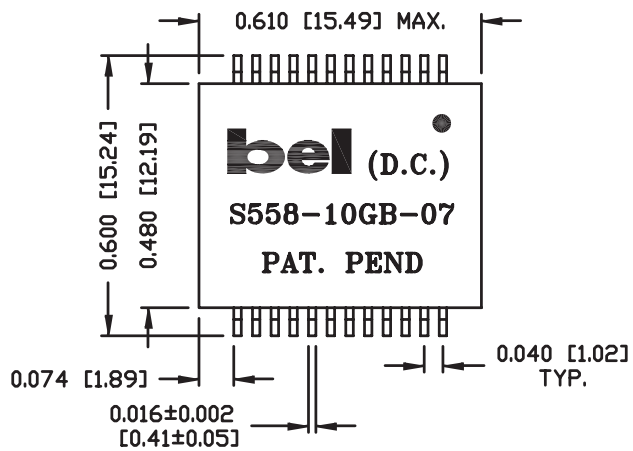
FREQ.(MHz)	50	100	200	300	400	500
MAX. (dB)	-30	-30	-30	-22	-22	-22

DIFF. TO COMM. MODE REJECTION RATIO

FREQ.(MHz)	50	100	200	300	400	500
MAX. (dB)	-30	-30	-30	-22	-21	-20

10GBASE-T ETHERNET MAGNETICS

S558-10GB-07 Single Port Transformer Module



NOTES:

1. STANDARD MARKING REFER TO DOC. HAND-WORK-04.
2. PACKAGE CODE: 'QABS001'.

SUGGESTED PCB PAD LAYOUT

