

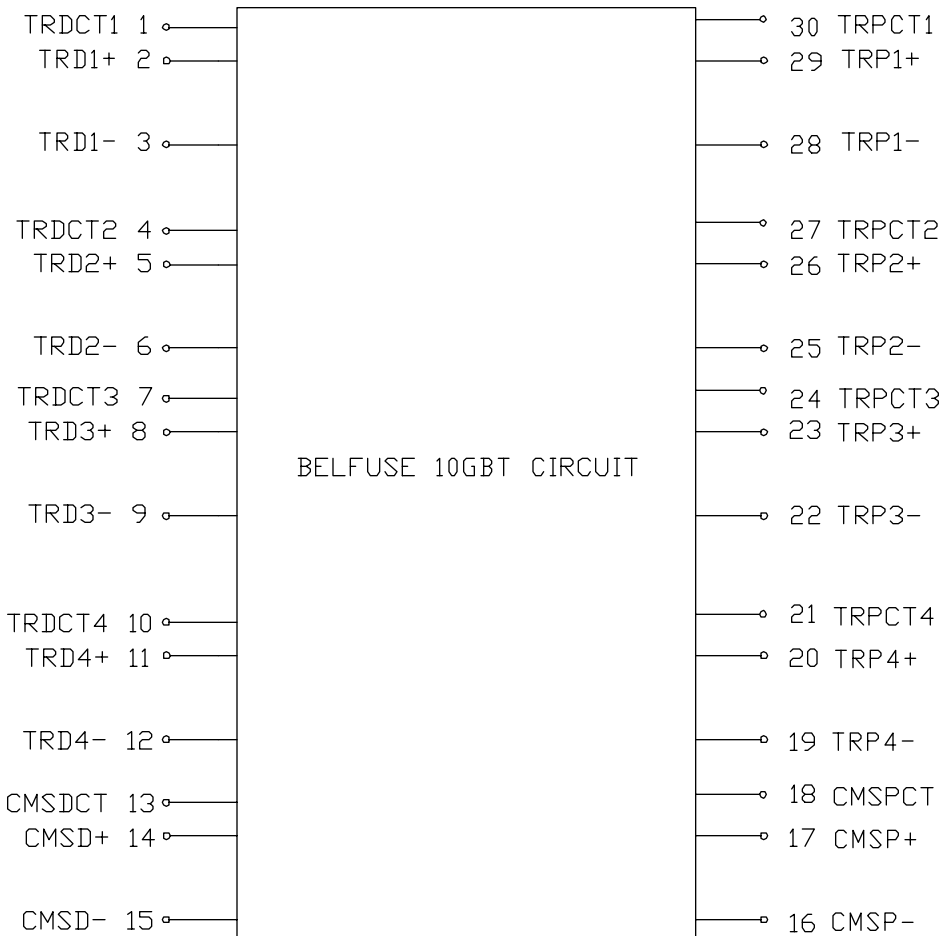
THE INFORMATION CONTAINED HEREIN IS CONSIDERED "PROPRIETARY" TO BEL FUSE INC. AND SHALL NOT BE COPIED, REPRODUCED OR DISCLOSED WITHOUT THE WRITTEN APPROVAL OF BEL FUSE INC.

PRELIMINARY



SCHEMATIC

ELECTRICAL SPECIFICATION @25°C



URNS RATIO

(2-3) : (28-29)	1CT : 1CT
(5-6) : (25-26)	1CT : 1CT
(8-9) : (22-23)	1CT : 1CT
(11-12) : (19-20)	1CT : 1CT
(14-15) : (16-17)	1CT : 1CT

POLARITY

2°&29°, 5°&26°, 8°&23°
11°&20° & 14°&17°

INSERTION LOSS

FREQ.(MHz)	1	2-300	400	500
dB MAX	0.3	1.0	1.5	2.0

RETURN LOSS

FREQ.(MHz)	1	2-300	400	500	600
dB MIN	18	20	15	12	9

CM TO DM
REJECTION RATIO

FREQ.(MHz)	50	100	200	300	400	500
dB MIN	48	42	36	33	30	28

CM TO CM
REJECTION RATIO

FREQ.(MHz)	50	100	200	300	400	500
dB MIN	30	27	24	22	21	20

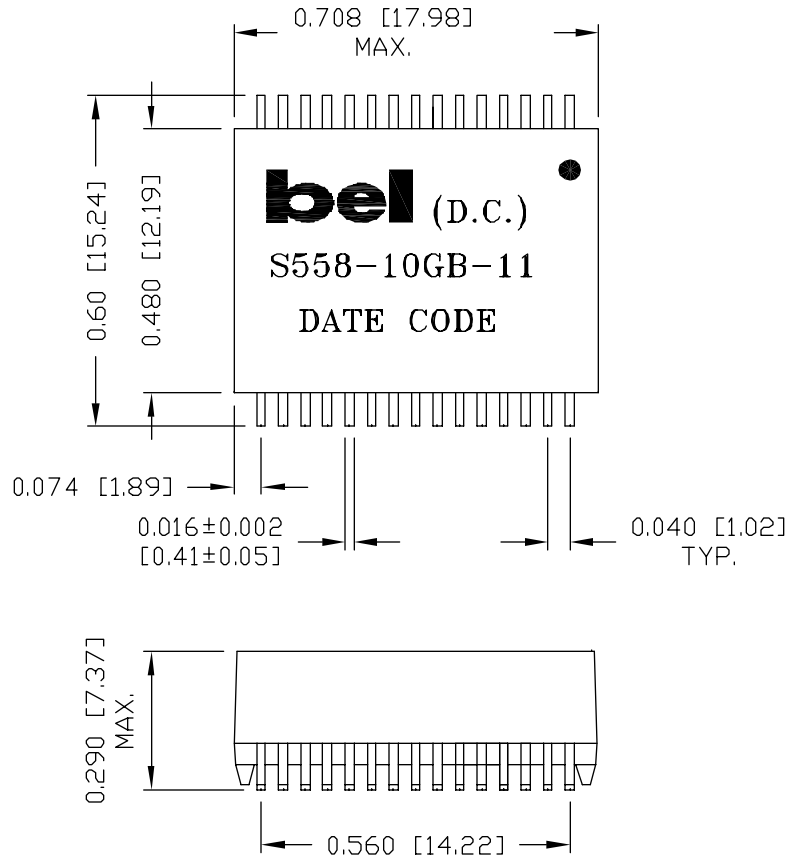
HIPOT

1500V_{rms}

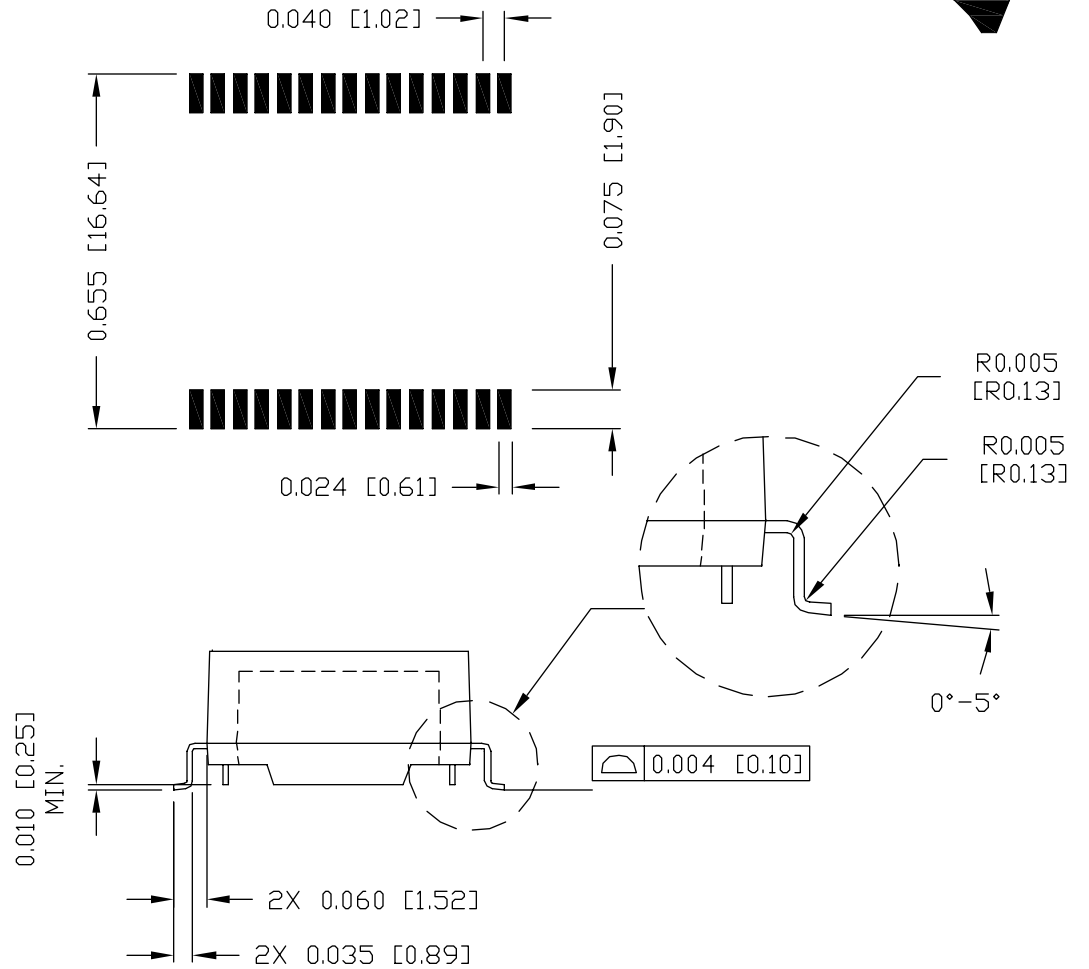
ORIGINATED BY TK	DATE 02-11-10	TITLE ELECTRICAL SPECIFICATION	PART NO. / DRAWING NO. S558-10GB-11	STANDARD DIM. TOL. IN INCH	[] METRIC DIM. AS REFERENCE	 COMPONENTS CONNECTED PLANET
DRAWN BY	DATE	FILE NAME S55810GB011_X2.DWG	.X	UNIT : INCH [mm]	REV. : X2	
			.XX	SCALE : N/A	SIZE : A4	
			.XXX		PAGE : 2	

THE INFORMATION CONTAINED HEREIN IS CONSIDERED "PROPRIETARY" TO BEL FUSE INC. AND SHALL NOT BE COPIED, REPRODUCED OR DISCLOSED WITHOUT THE WRITTEN APPROVAL OF BEL FUSE INC.

PRELIMINARY COPY



SUGGESTED PCB PAD LAYOUT



NOTES:

- STANDARD MARKING REFER TO DDC, HAND-WORK-04.

DRWN TK	DATE	02-11-10	TITLE MECHANICAL SPECIFICATION	PART NO. / DRAWING NO. S558-10GB-11	STANDARD DIM. TOL. IN INCH		[] METRIC DIM. AS REFERENCE		 COMPONENTS ARE CONNECTED PLANET
	CHKD	DATE			FILE NAME S55810GB011_X2.DWG	.X	/	UNIT : INCH [mm]	
					.XX	±0.01	SCALE : N/A	SIZE : A4	
					.XXX	±0.005		PAGE : 3	