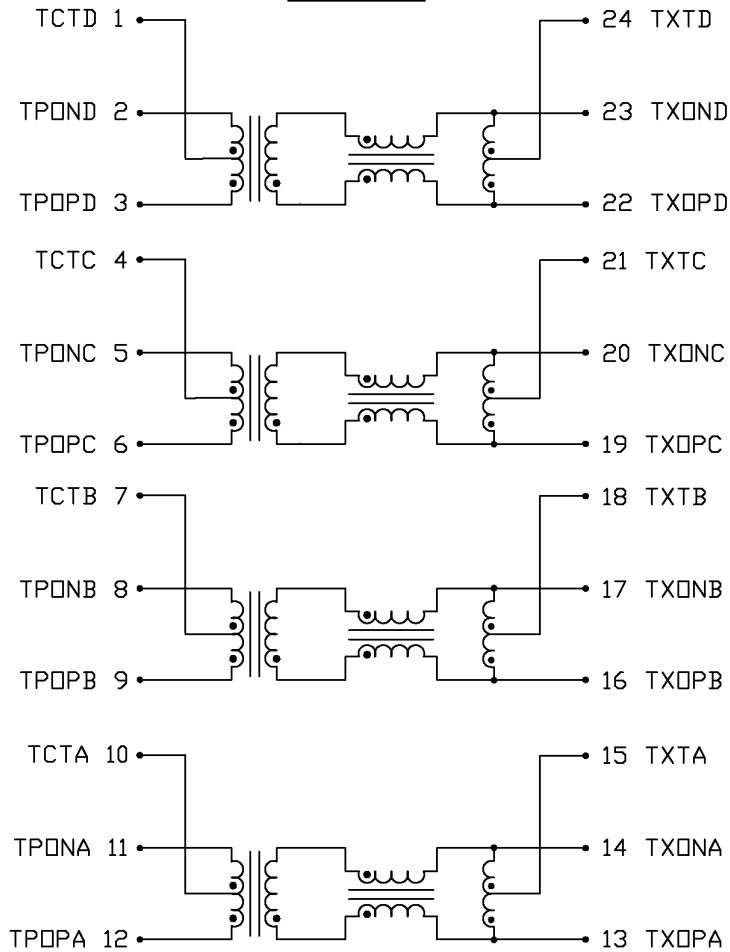


THE INFORMATION CONTAINED HEREIN IS CONSIDERED "PROPRIETARY" TO BEL FUSE INC. AND SHALL NOT BE COPIED, REPRODUCED OR DISCLOSED WITHOUT THE WRITTEN APPROVAL OF BEL FUSE INC.



ELECTRICAL CHARACTERISTICS

SCHEMATIC



TURNS RATIO
 PINK(3-1-2) : (22-24-23) 1CT : 1CT
 PINK(6-4-5) : (19-21-20) 1CT : 1CT
 PINK(9-7-8) : (16-18-17) 1CT : 1CT
 PINK(12-10-11) : (13-15-14) 1CT : 1CT

OCL 350μH MIN. AT 100kHz, 100mV
 -40°C TO +85°C WITH 8mA DC BIAS

INSERTION LOSS
 1.1dB MAX. @ 0.1 MHz
 0.5dB MAX. @ 1 MHz
 0.8dB MAX. @ 65 MHz
 1.0dB MAX. @ 100 MHz
 1.5dB MAX. @ 125 MHz

RETURN LOSS 18dB MIN. @ 0.5 TO 40 MHz
 UNDER 100 OHMS 12-20LOG (f/80 MHz) dBMIN.
 ±15% ENVIRONMENT @ 40 TO 100 MHz

COMMON TO COMMON REJECTION 30dB MIN. @ 0.1 TO 100 MHz

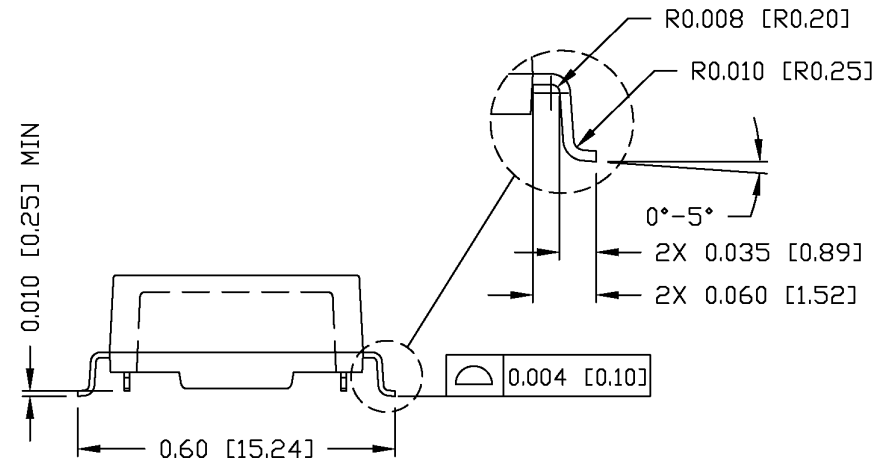
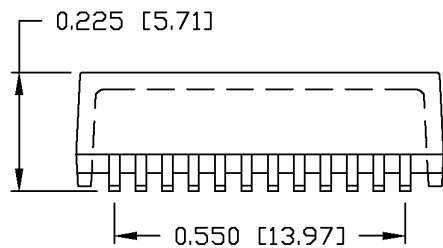
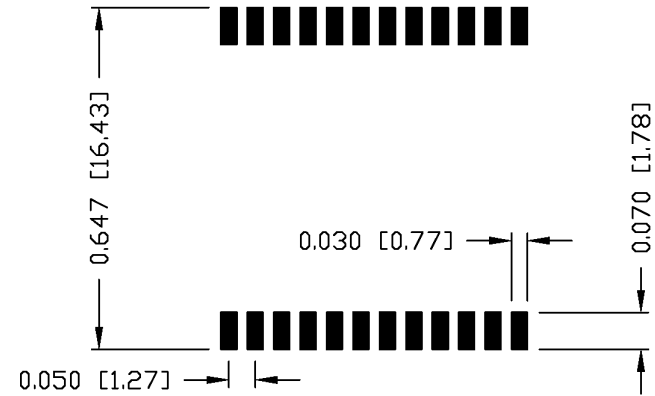
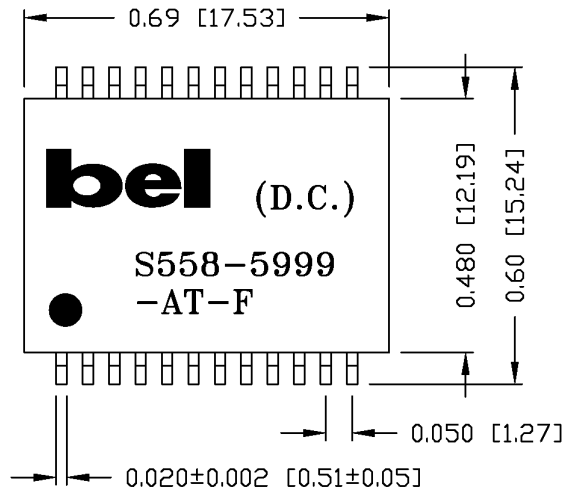
CROSSTALK @ 1-100 MHz
 33-20LOG (f/100 MHz) dB MIN.

HIPOT PER HAND-WORK-03

ORIGINATED BY	DATE	TITLE	PART NO. / DRAWING NO.	STANDARD DIM.	[] METRIC DIM. AS REFERENCE	 COMPONENTS ON A CONNECTED PLANET
HQ	04-12-06	1000BASE-T MAGNETIC MODULES S558-5999-AT-F	X5585999AT-F	TOL. IN INCH	UNIT : INCH [mm] REV. : A	
DRAWN BY	DATE		FILE NAME	.X	SCALE : N/A SIZE : A4	
DQ Chen	04-12-06		X5585999ATFA.DWG	.XX	PAGE : 2	
				.XXX		

THE INFORMATION CONTAINED HEREIN IS CONSIDERED "PROPRIETARY" TO BEL FUSE INC. AND SHALL NOT BE COPIED, REPRODUCED OR DISCLOSED WITHOUT THE WRITTEN APPROVAL OF BEL FUSE INC.

SUGGESTED PCB PAD LAYOUT



NOTES:

1. STANDARD MARKING REFER TO DOC. HAND-WORK-04.
2. PACKAGE CODE: "RQS001".

ORIGINATED BY	DATE	TITLE	PART NO. / DRAWING NO.	STANDARD DIM. TOL. IN INCH	[] METRIC DIM. AS REFERENCE	 COMPONENTS ON A CONNECTED PLANET	
Lawrence	04-12-06	MECHANICAL DRAWING S558-5999-AT-F	X5585999AT-F	.X	UNIT : INCH [mm]		REV. : A
DRAWN BY	DATE		FILE NAME	.XX	SCALE : N/A		SIZE : A4
DQ Chen	04-12-06		X5585999ATFA.DWG	.XXX	±0.005		PAGE : 3