

GENERAL SPECIFICATIONS FOR S800s ~ S732

Electrical Capacity (Resistive & Inductive Load)

Power Level: Shown in the following tables

Other Ratings

Contact Resistance: 10 milliohms maximum
Insulation Resistance: 1,000 megohms minimum @ 500V DC
Dielectric Strength: 2,000V AC minimum for 1 minute minimum for S800s & S800Ds
 3,000V AC minimum for 1 minute minimum for S732
Mechanical Life: 50,000 operations minimum
Electrical Life: 10,000 operations minimum for S800Ds
 25,000 operations minimum for S800s & S732

Materials & Finishes

Toggle: Brass with nickel plating for S732
 Brass with chrome plating for S800s & S800Ds
Bushing: Brass with chrome plating
Case: Phenolic resin for S732; melamine phenol for S800s
Case Cover: Steel with chromate plating over zinc plating
Movable Contactor Plate: Copper with silver plating
Movable & Stationary Contacts: Silver alloy capped on copper with silver plating
Common Terminals: Brass
Contact Terminals: Brass with silver or nickel plating

Environmental Data

Operating Temp Range: -10°C through +70°C (+14°F through +158°F)

Installation

Mounting Torque: 2.94Nm (26 lb•in) for double nut
Maximum Panel Thickness: Shown beneath panel cutout in switch dimension drawings

Standards & Certifications

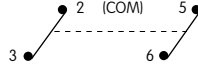
UL Recognized: Designated with UL recognized symbol beside part numbers on following pages
 See Supplement section to find UL rating details. UL File No. WOYR2.E44145
 Add "/U" to end of part number to order UL mark on switch.
C-UL Recognized: Designated with C-UL recognized symbol beside part numbers on following pages
 See Supplement section to find C-UL rating details. C-UL File No. WOYR8.E44145
 Add "/C-UL" to end of part number to order C-UL mark on switch.
CSA Certified: Designated with CSA certified symbol beside part numbers on following pages
 See Supplement section to find CSA rating details. File No. 023535-0-000
 Add "/C" to end of part number to order CSA mark on switch.

DOUBLE POLE WITH SCREW LUG

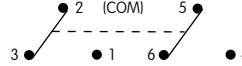
Model	Approvals	Pole & Throw	Toggle Position/Connected Terminals						Electrical Capacity					
			Down		Center	Up		Resistive			Inductive		Motor Load	
			Keyway	Keyway	Keyway	AC 125V	AC 250V	DC 30V	DC 125V	AC 125V PF 0.6	AC 250V PF 0.6	AC 125V		
S821		DPST	ON	2-3 5-6	NONE	OFF	—	30A	30A	30A	1A	30A	15A	750W
S822		DPDT	ON	2-3 5-6	NONE	ON	2-1 5-4	30A	30A	30A	1A	30A	15A	—
S823		DPDT	ON	2-3 5-6	OFF	ON	2-1 5-4	30A	30A	30A	1A	30A	15A	—

Throw & Schematics:

DPST

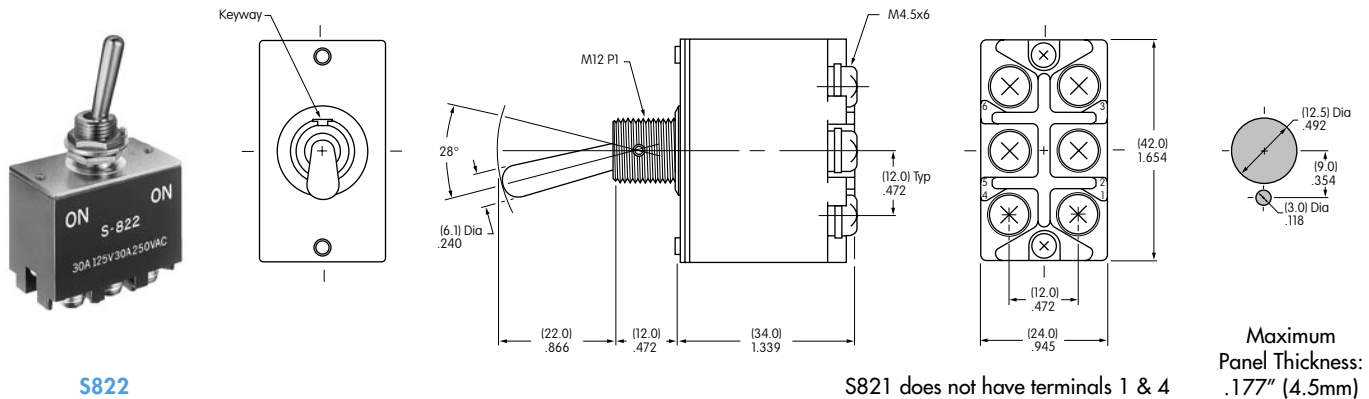


DPDT



Note: Terminal numbers are on the switch

• Standard Hardware: AT503M Face Hex Nut, AT506 Locking Ring, AT508 Lockwasher, AT527M Backup Hex Nut. See Accessories & Hardware section.



S822

S821 does not have terminals 1 & 4

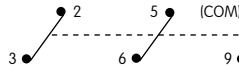
Maximum Panel Thickness: .177" (4.5mm)

THREE POLE WITH SCREW LUG

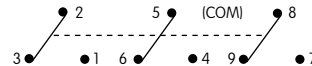
Model	Approvals	Pole & Throw	Toggle Position/Connected Terminals						Electrical Capacity					
			Down		Center	Up		Resistive			Inductive			
			Keyway	Keyway	Keyway	AC 125V	AC 250V	DC 30V	DC 125V	AC 125V PF 0.6	AC 250V PF 0.6			
S831		3PST	ON	2-3 5-6 8-9	NONE	OFF	—	30A	30A	30A	1A	30A	15A	
S832		3PDT	ON	2-3 5-6 8-9	NONE	ON	2-1 5-4 8-7	30A	30A	30A	1A	30A	15A	
S833		3PDT	ON	2-3 5-6 8-9	OFF	ON	2-1 5-4 8-7	30A	30A	30A	1A	30A	15A	

Throw & Schematics:

3PST

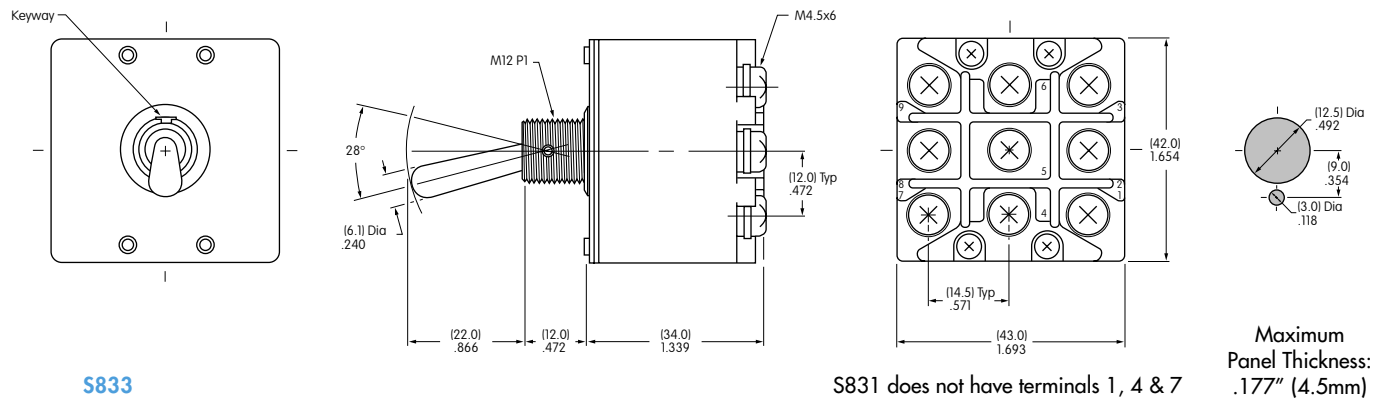


3PDT



Note: Terminal numbers are on the switch

• Standard Hardware: AT503M Face Hex Nut, AT506 Locking Ring, AT508 Lockwasher, AT527M Backup Hex Nut. See Accessories & Hardware section.



S833

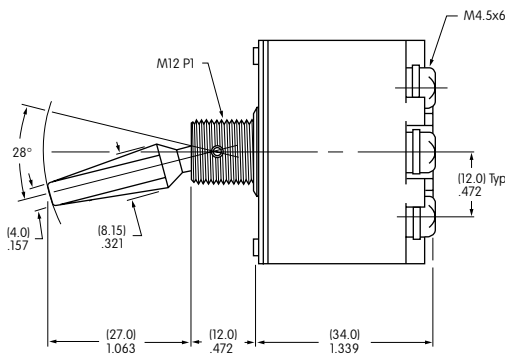
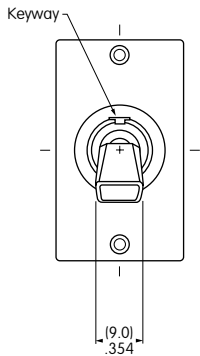
S831 does not have terminals 1, 4 & 7

Maximum Panel Thickness: .177" (4.5mm)

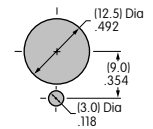
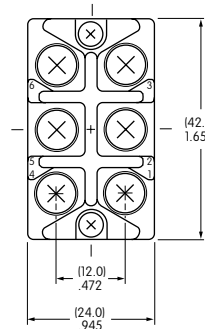
DOUBLE & THREE POLE WITH SCREW LUG & FLATTED LEVER

Model	Approvals	Pole & Throw	Toggle Position/Connected Terminals						Electrical Capacity								
			Down		Center	Up		Resistive				Inductive L/R = 3ms					
			Keyway	Keyway	Keyway	DC 30V	DC 48V	DC 125V	DC 250V	DC 24V	DC 48V	DC 125V	DC 250V				
S821D		DPST	ON	2-3 5-6	NONE	OFF	—	30A	30A	15A	7.5A	15A	10A	6A	3A		
S822D		DPDT	ON	2-3 5-6	NONE	ON	2-1 5-4	30A	30A	15A	7.5A	15A	10A	6A	3A		
S823D		DPDT	ON	2-3 5-6	OFF	ON	2-1 5-4	30A	30A	15A	7.5A	15A	10A	6A	3A		
Throw & Schematics:		DPST				DPDT				Note: Terminal numbers are on the switch							
S831D		3PST	ON	2-3 5-6 8-9	NONE	OFF	—	30A	30A	15A	7.5A	15A	10A	6A	3A		
S832D		3PDT	ON	2-3 5-6 8-9	NONE	ON	2-1 5-4 8-7	30A	30A	15A	7.5A	15A	10A	6A	3A		
S833D		3PDT	ON	2-3 5-6 8-9	OFF	ON	2-1 5-4 8-7	30A	30A	15A	7.5A	15A	10A	6A	3A		
Throw & Schematics:		3PST				3PDT				Note: Terminal numbers are on the switch							

• Standard Hardware: AT503M Face Hex Nut, AT506 Locking Ring, AT508 Lockwasher, AT527M Backup Hex Nut. See Accessories & Hardware section.



Double Pole

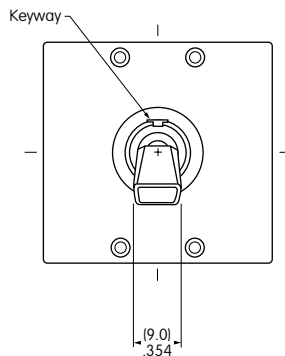


S821D does not have terminals 1 & 4

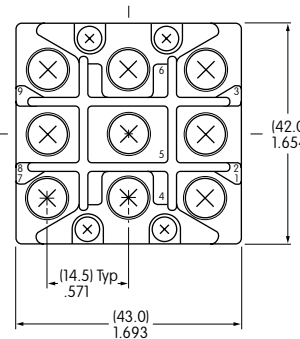
Maximum Panel Thickness: .177" (4.5mm)



S832D






Three Pole



S831D does not have terminals 1, 4 & 7

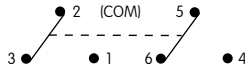
Positive (+) must be connected to end terminals & negative to common terminals

DOUBLE POLE WITH SCREW LUG

Model	Approvals	Pole & Throw	Toggle Position/Connected Terminals			Electrical Capacity			
			Down 	Center 	Up 	Resistive			Inductive
						AC 125V	AC 250V	DC 30V	AC 125V PF 0.6
S732	— —	DPDT	ON 2-3 5-6	NONE	ON 2-1 5-4	50A	30A	50A	25A

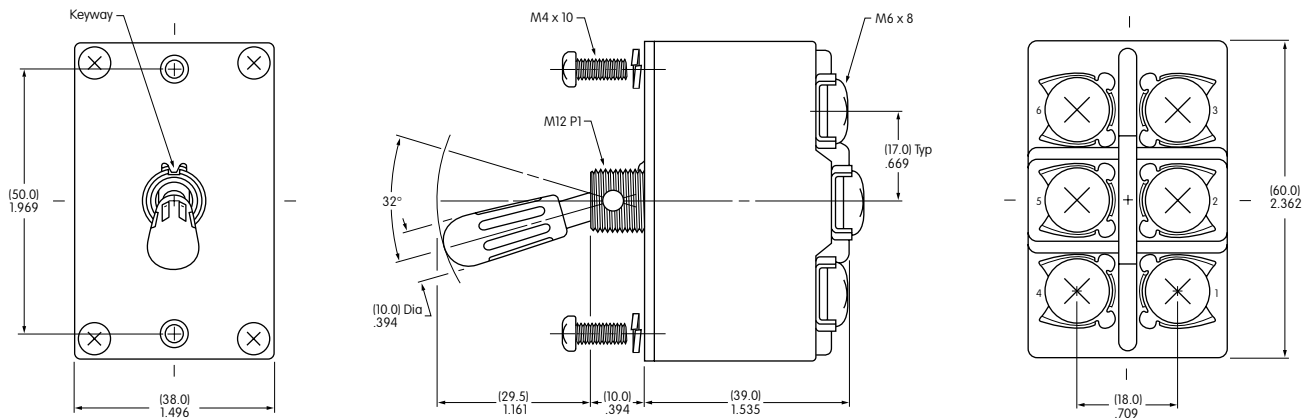
Throw & Schematics:

DPDT



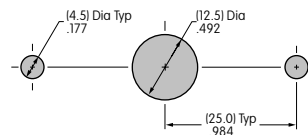
Note: Terminal numbers are on the switch

- Standard Hardware: AT503M Face Hex Nut, AT506 Locking Ring, AT508 Lockwasher, AT527M Backup Hex Nut. See Accessories & Hardware section.



Cap of phenolic resin is black

Panel Mount with Mounting Screws

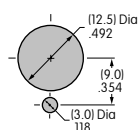


Maximum Panel Thickness: .158" (4.0mm)

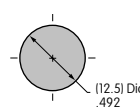


S732

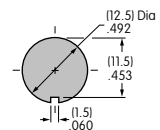
Panel Mount with Bushing Hardware



Maximum Panel Thickness: .079" (2.0mm)



Maximum Panel Thickness: .118" (3.0mm)



Maximum Panel Thickness: .118" (3.0mm)