

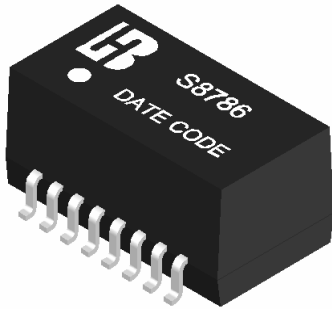


S8786

T1/E1/CEPT/ISDN-PRI TRANSFORMER

P/N:S8786 DATA SHEET

Feature



- Dual SMT package contains both transmit and receive transformers.
- Models matched to leading transceiver ICs.
- Patented interlock base construction for high reliability.
- Operation temperature range: 0°C to +70°C.
- Storage temperature range: -25 to +125 .

Electrical Specifications @ 25°C

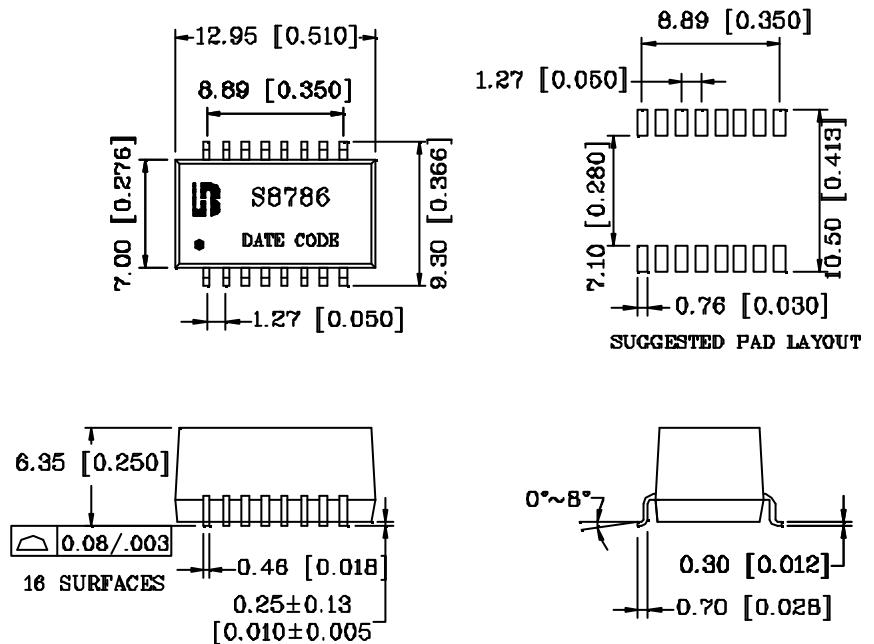
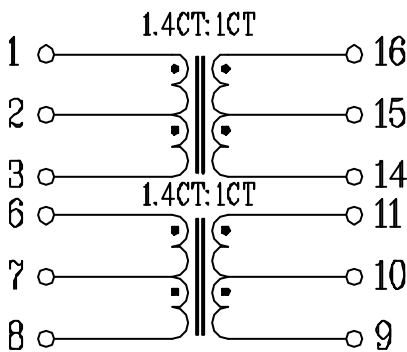
Part Number	Turns Ratio (±5%)		OCL (mH) PRI	L.L (uH Max)	C <sub>ww</sub> (pF Max)
	(16-14): (1-3)	(6-8): (11-9)			
S8786	1.41CT: 1CT	1.41CT: 1CT	1.0	0.6	30

Continue

Part Number	DCR ( max)		PRI pins	HI-POT (Vrms)
	(16-14)& (6-8)	(1-3)& (11-9)		
S8786	0.7	0.9	(16-14)& (11-9)	1500

Schematic

Mechanical



Units: mm [Inches] Tolerances: xx.x0±0.25 [0.010]  
0.xx±0.05 [0.002]