

DATA SHEET

SA5214

Postamplifier with link status indicator

Product specification
Replaces datasheet NE/SA5214 of 1995 Apr 26
IC19 Data Handbook

1998 Oct 07

Postamplifier with link status indicator

SA5214

DESCRIPTION

The SA5214 is a 75MHz postamplifier system designed to accept low level high-speed signals. These signals are converted into a TTL level at the output. The SA5214 can be DC coupled with the previous transimpedance stage using SA5210, SA5211 or SA5212 transimpedance amplifiers. This "system on a chip" features an auto-zeroed first stage with noise shaping, a symmetrical limiting second stage, and a matched rise/fall time TTL output buffer. The system is user-configurable to provide noise filtering, adjustable input thresholds and hysteresis. The threshold capability allows the user to maximize signal-to-noise ratio, insuring a low Bit Error Rate (BER). An Auto-Zero loop can be used to minimize the number of external coupling capacitors to one. A signal absent flag indicates when signals are below threshold. Additionally, the low signal condition forces the overall TTL output to a logical Low level. User interaction with this "jamming" system is available. The SA5214 is packaged in a standard 20-pin surface-mount package and typically consumes 42mA from a standard 5V supply. The SA5214 is designed as a companion to the SA5211/5212 transimpedance amplifiers. These differential preamplifiers may be directly coupled to the post-amplifier inputs. The SA5212/5214 or SA5211/5214 combinations convert nanoamps of photodetector current into standard digital TTL levels.

APPLICATIONS

- Fiber optics
- Communication links in Industrial and/or Telecom environment with high EMI/RFI
- Local Area Networks (LAN)
- Metropolitan Area Networks (MAN)
- Synchronous Optical Networks (SONET)
- RF limiter

PIN CONFIGURATION

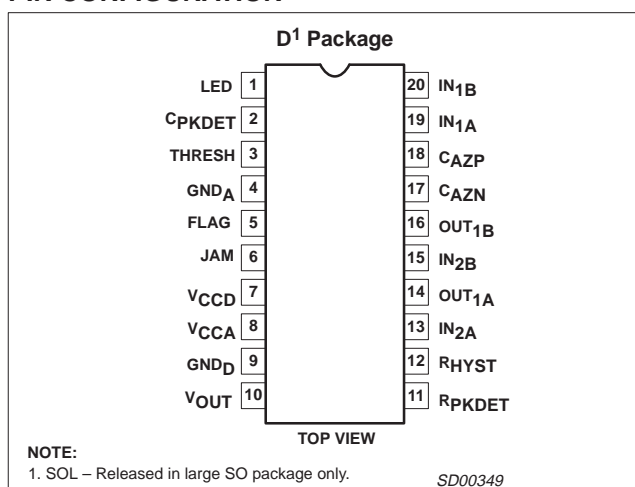


Figure 1. Pin Configuration

FEATURES

- Postamp for the SA5211/5212 preamplifier family
- Wideband operation: typical 75MHz (100MBaud NRZ)
- Interstage filtering/equalization possible
- Single 5V supply
- Low signal flag
- Low signal output disable
- Link status threshold and hysteresis programmable
- LED driver (normally ON with above threshold signal)
- Fully differential for excellent PSRR
- Auto-zero loop for DC offset cancellation
- 2kV ElectroStatic Discharge (ESD) protection

ORDERING INFORMATION

DESCRIPTION	TEMPERATURE RANGE	ORDER CODE	DWG #
20-Pin Plastic Small Outline Large (SOL) Package	-40°C to +85°C	SA5214D	SOT163-1

ABSOLUTE MAXIMUM RATINGS

SYMBOL	PARAMETER	RATING	UNIT
V _{CCA}	Power supply	+6	V
V _{CCD}	Power supply	+6	V
T _A	Operating ambient temperature range	-40 to +85	°C
T _J	Operating junction temperature range	-55 to +150	°C
T _{STG}	Storage temperature range	-65 to +150	°C
P _D	Power dissipation	300	mW
V _{IJ}	Jam input voltage	-0.5 to 5.5	V

Postamplifier with link status indicator

SA5214

PIN DESCRIPTIONS

PIN NO.	SYMBOL	DESCRIPTION
1	LED	Output for the LED driver. Open collector output transistor with 125Ω series limiting resistor. An above threshold signal turns this transistor ON.
2	C _{PKDET}	Capacitor for the peak detector. The value of this capacitor determines the detector response time to the signal, supplementing the internal 10pF capacitor.
3	THRESH	Peak detector threshold resistor. The value of this resistor determines the threshold level of the peak detector.
4	GND _A	Device analog ground pin.
5	FLAG	Peak detector digital output. When this output is LOW, there is data present above the threshold. This pin is normally connected to the JAM pin and has a TTL fanout of two.
6	JAM	Input to inhibit data flow. Sending the pin HIGH forces TTL DATA OUT ON, Pin 10, LOW. This pin is normally connected to the FLAG pin and is TTL-compatible.
7	V _{CCD}	Power supply pin for the digital portion of the chip.
8	V _{CCA}	Power supply pin for the analog portion of the chip.
9	GND _D	Device digital ground pin.
10	V _{OUT}	TTL output pin with a fanout of five.
11	R _{PKDET}	Peak detector current resistor. The value of this resistor determines the amount of discharge current available to the peak detector capacitor, C _{PKDET} .
12	R _{HYST}	Peak detector hysteresis resistor. The value of this resistor determines the amount of hysteresis in the peak detector.
13	IN _{2A}	Non-inverting input to amplifier A2.
14	OUT _{1A}	Non-inverting output of amplifier A1.
15	IN _{2B}	Inverting input to amplifier A2.
16	OUT _{1B}	Inverting output of amplifier A1.
17	C _{AZN}	Auto-Zero capacitor pin (Negative terminal). The value of this capacitor determines the low-end frequency response of the preamp A1.
18	C _{AZP}	Auto-Zero capacitor pin (Positive terminal). The value of this capacitor determines the low-end frequency response of the preamp A1.
19	IN _{1A}	Non-inverting input of the preamp A1.
20	IN _{1B}	Inverting input of the preamp A1.

BLOCK DIAGRAM

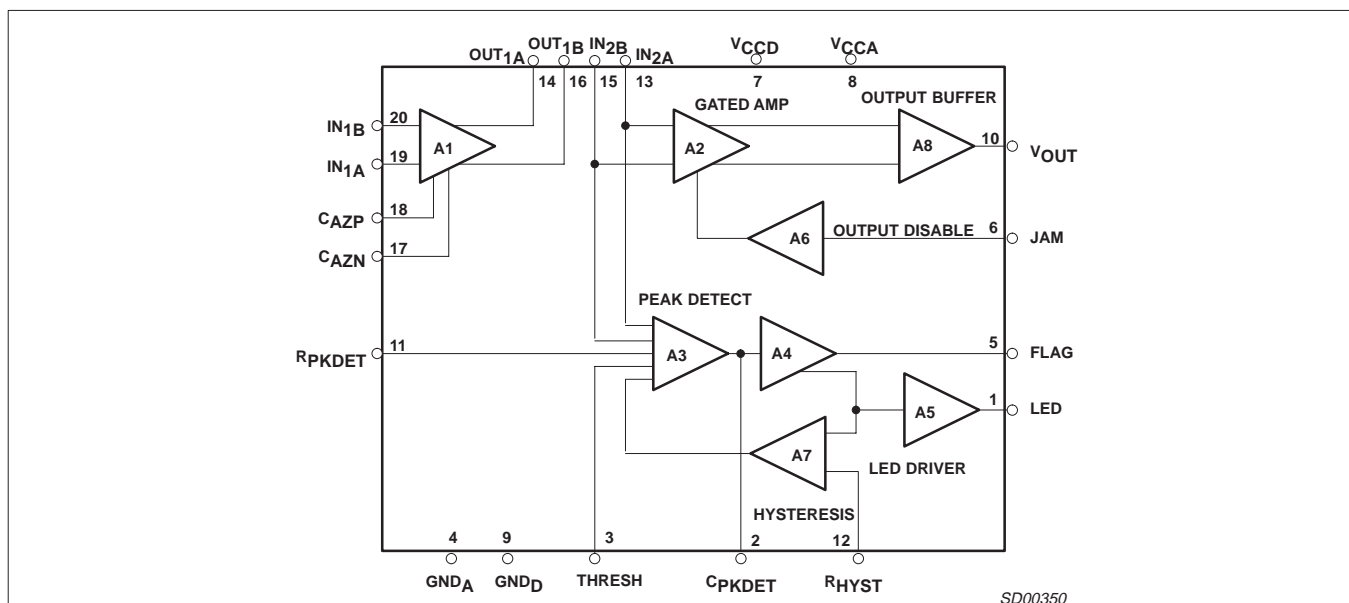


Figure 2. Block Diagram

Postamplifier with link status indicator

SA5214

RECOMMENDED OPERATING CONDITIONS

SYMBOL	PARAMETER	RATING	UNIT
V_{CCA}	Supply voltage	4.75 to 5.25	V
V_{CCD}	Power supply	4.75 to 5.25	V
T_A	Ambient temperature range	-40 to +85	°C
T_J	Operating junction temperature range	-40 to +110	°C
P_D	Power dissipation	250	mW

DC ELECTRICAL CHARACTERISTICS

Min and Max limits apply over the operating temperature range at $V_{CCA}=V_{CCD}=+5.0V$ unless otherwise specified. Typical data applies at $V_{CCA}=V_{CCD}=+5.0V$ and $T_A=25^\circ C$.

SYMBOL	PARAMETER	TEST CONDITIONS	LIMITS			UNIT
			Min	Typ	Max	
I_{CCA}	Analog supply current			30	41.2	mA
I_{CCD}	Digital supply current (TTL, Flag, LED)			10	13.5	mA
V_{I1}	A1 input bias voltage (+/- inputs)		3.08	3.4	3.70	V
V_{O1}	A1 output bias voltage (+/- outputs)		3.10	3.8	4.50	V
A_{V1}	A1 DC gain (without Auto-Zero)			30		dB
$A1_{PSRR}$	A1 PSRR (V_{CCA} , V_{CCD})	$V_{CCA}=V_{CCD}=4.75$ to $5.25V$		60		dB
$A1_{CMRR}$	A1 CMRR	$\Delta V_{CM}=200mV$		60		dB
V_{I2}	A2 input bias voltage (+/- inputs)		3.56	3.7	3.86	V
V_{OH}	High-level TTL output voltage	$I_{OH}=-200\mu A$	2.4	3.4		V
V_{OL}	Low-level TTL output voltage	$I_{OL}=8mA$		0.3	0.4	V
I_{OH}	High-level TTL output current	$V_{OUT}=2.4V$		-40	-24.4	mA
I_{OL}	Low-level TTL output current	$V_{OUT}=0.4V$	7.0	30		mA
I_{OS}	Short-circuit TTL output current	$V_{OUT}=0.0V$		-95		mA
V_{THRESH}	Threshold bias voltage	Pin 3 Open		0.75		V
V_{RPKDET}	RPKDET	Pin 11 Open		0.72		V
V_{RHYST}	RHYST bias voltage	Pin 12 Open		0.72		V
V_{IHJ}	High-level jam input voltage		2.0			V
V_{ILJ}	Low-level jam input voltage				0.8	V
I_{IHJ}	High-level jam input current	$V_{IJ}=2.7V$			30	μA
I_{ILJ}	Low-level jam input current	$V_{IJ}=0.4V$	-485	-240		μA
V_{OHF}	High-level flag output voltage	$I_{OH}=-80\mu A$	2.4	3.8		V
V_{OLF}	Low-level flag output voltage	$I_{OL}=3.2mA$		0.33	0.4	V
I_{OHF}	High-level flag output current	$V_{OUT}=2.4V$		-18	-5	mA
I_{OLF}	Low-level flag output current	$V_{OUT}=0.4V$	3.25	10		mA
I_{SCF}	Short-circuit flag output current	$V_{OUT}=0.0V$	-61	-40	-26	mA
I_{LEDH}	LED ON maximum sink current	$V_{LED}=3.0V$	8	22	80	mA

Postamplifier with link status indicator

SA5214

AC ELECTRICAL CHARACTERISTICS

Min and Max limits apply over the operating temperature range at $V_{CCA} = V_{CCD} = +5.0V$ unless otherwise specified. Typical data applies at $V_{CCA} = V_{CCD} = +5.0V$ and $T_A = 25^\circ C$.

SYMBOL	PARAMETER	TEST CONDITIONS	LIMITS			UNIT	
			Min	Typ	Max		
f_{OP}	Maximum operating frequency	Test circuit	60	75		MHz	
BW_{A1}	Small signal bandwidth (differential OUT_1/IN_1)	Test circuit		75		MHz	
V_{INH}	Maximum Functional A1 input signal (single ended)	Test Circuit		1.6		V_{P-P}	
V_{INL}	Minimum Functional A1 input signal (single ended)	Test Circuit ¹		12		mV_{P-P}	
R_{IN1}	Input resistance (differential at IN_1)			1200		Ω	
C_{IN1}	Input capacitance (differential at IN_1)			2		pF	
R_{IN2}	Input resistance (differential at IN_2)			1200		Ω	
C_{IN2}	Input capacitance (differential at IN_2)			2		pF	
R_{OUT1}	Output resistance (differential at OUT_1)			25		Ω	
C_{OUT1}	Output capacitance (differential at OUT_1)			2		pF	
V_{HYS}	Hysteresis voltage	Test circuit		3		mV_{P-P}	
V_{THR}	Threshold voltage range (FLAG ON)	Test circuit, @ 50MHz $R_{RHYST}=5k$ $R_{THRESH}=47k$		12		mV_{P-P}	
t_{TLH}	TTL Output Rise Time 20% to 80%	Test Circuit		1.3		ns	
t_{THL}	TTL Output Fall Time 80% to 20%	Test Circuit		1.2		ns	
t_{RFD}	t_{TLH}/t_{THL} mismatch			0.1		ns	
t_{PWD}	Pulse width distortion of output	50mV $_{P-P}$, 1010...input Distortion= $\frac{T_H-T_L}{T_H+T_L}$		10 ²		2.5	%

NOTES:

- The SA5214 is capable of detecting a much lower input level. Operation under 12mV $_{P-P}$ cannot be guaranteed by present day automatic testers.

Postamplifier with link status indicator

SA5214

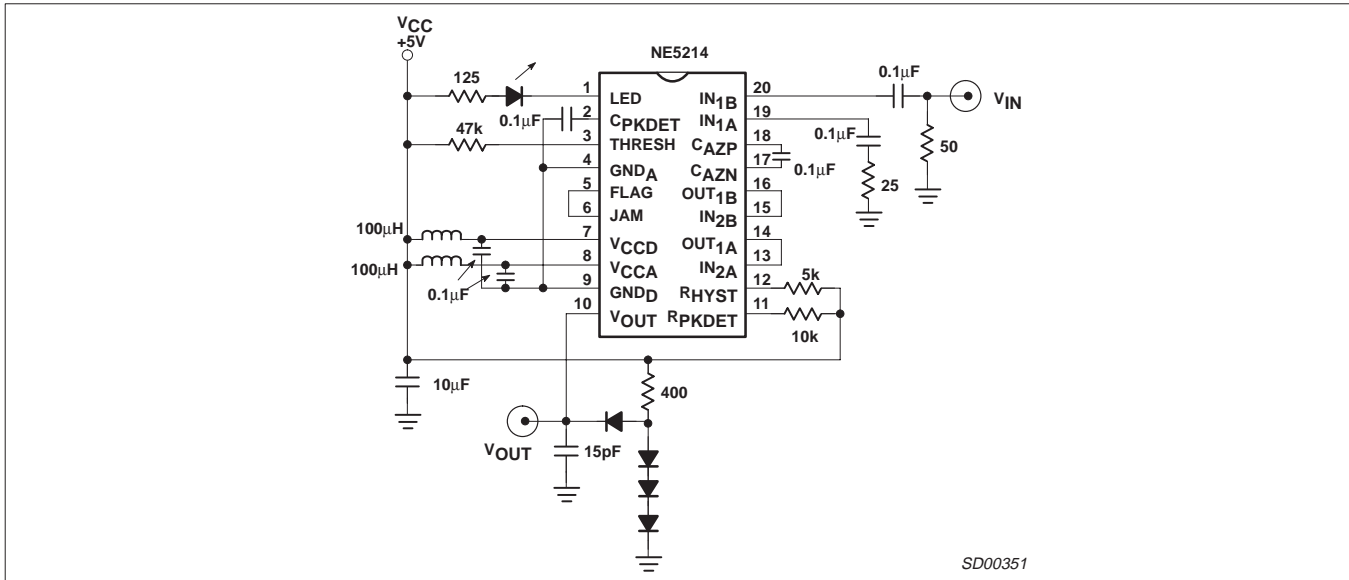


Figure 3. AC Test Circuit

TYPICAL PERFORMANCE CHARACTERISTICS

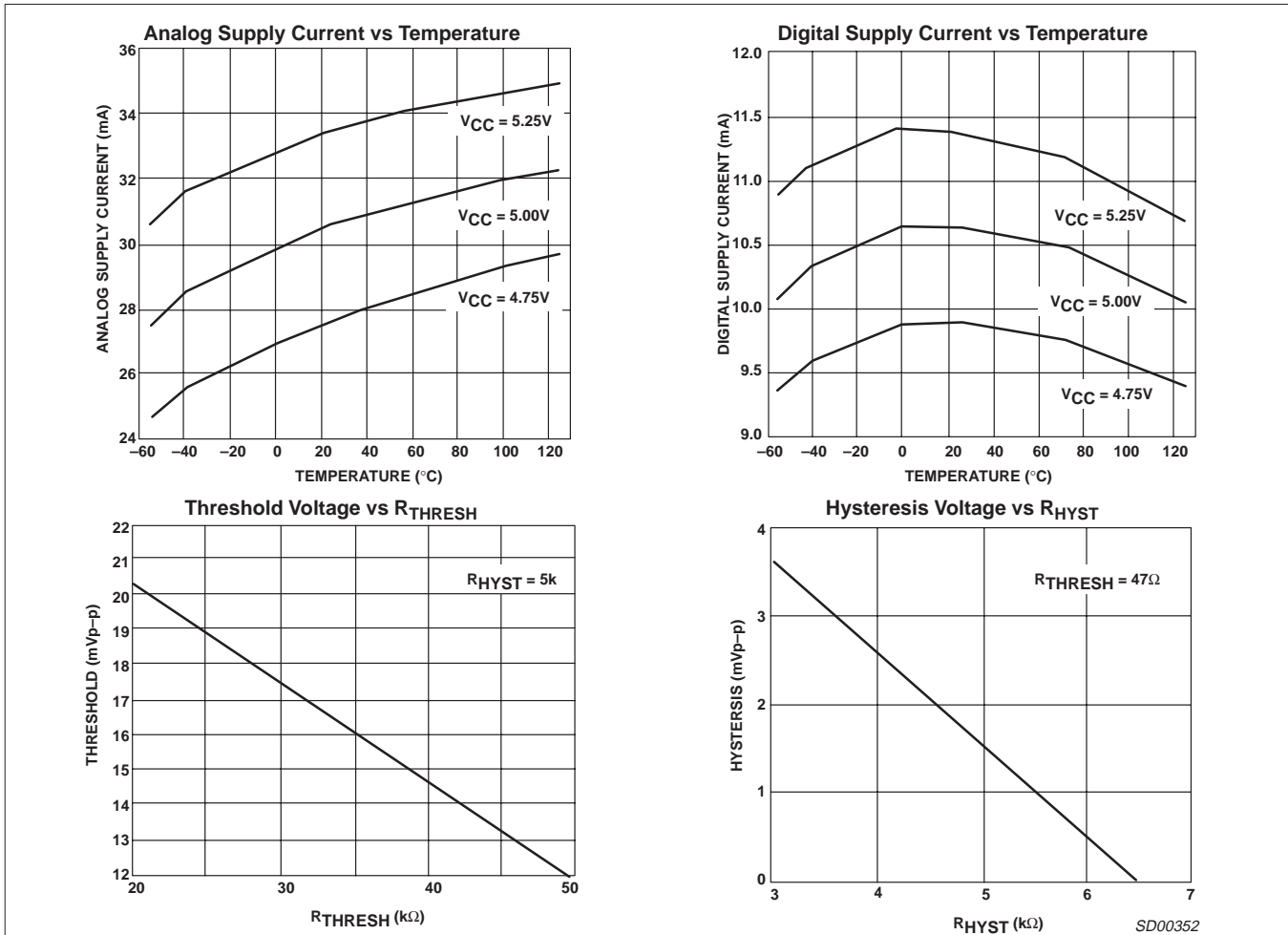


Figure 4. Typical Performance Characteristics

Postamplifier with link status indicator

SA5214

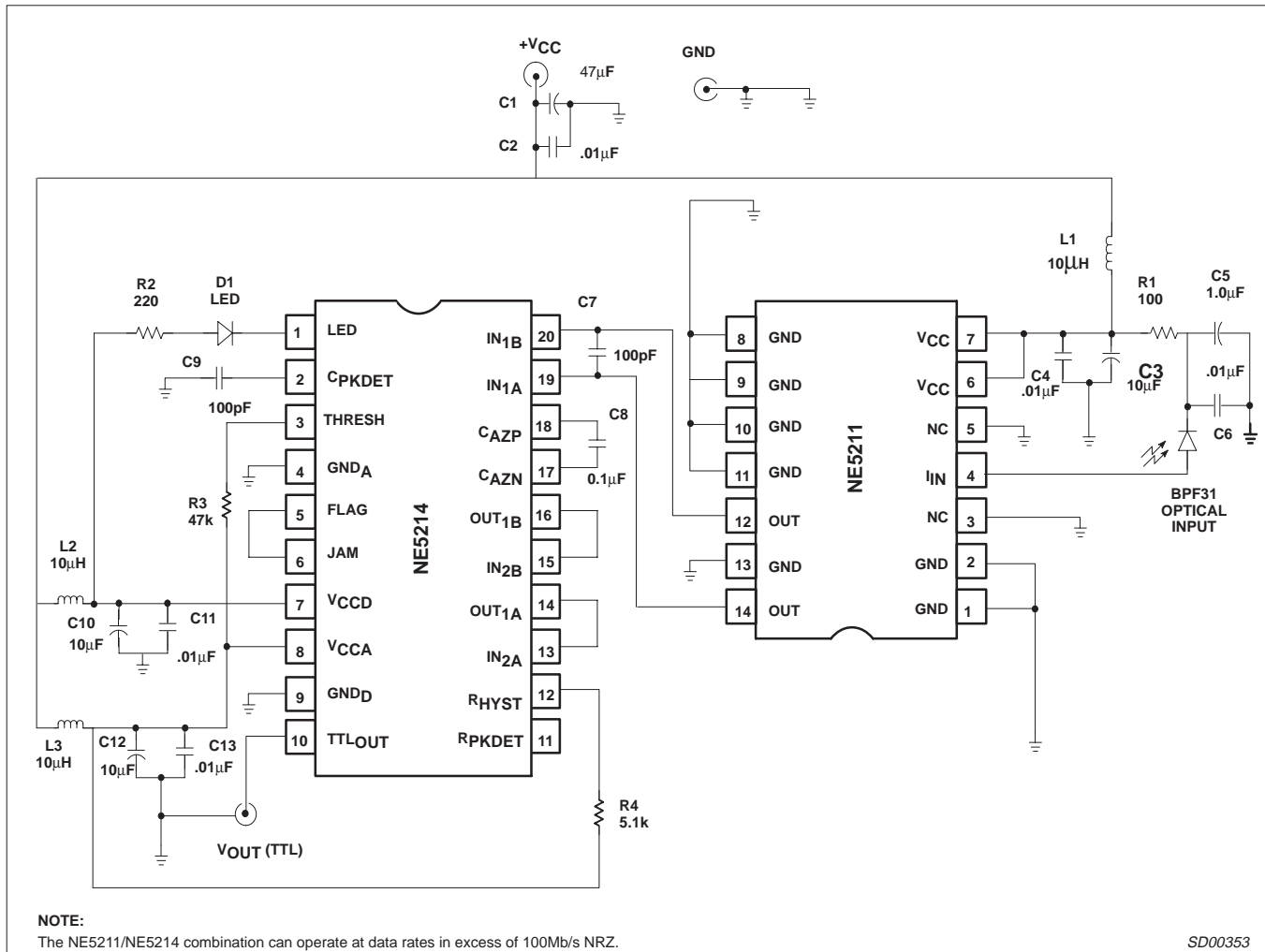


Figure 5. A 50Mb/s Fiber Optic Receiver

THEORY OF OPERATION AND APPLICATION INFORMATION

The SA5214 postamplifier system is a highly integrated chip that provides up to 60dB of gain at 60MHz, to bring mV level signals up to TTL levels.

The SA5214 contains eight amplifier blocks (see Block Diagram). The main signal path is made up of a cascade of limiting stages: A1, A2 and A8. The A3-A4-A7 path performs a wideband full-wave rectification of the input signal with adjustable hysteresis and decay times. It outputs a TTL HIGH on the "FLAG" output (Pin 5) when the input is below a user adjustable threshold. An on-chip LED driver turns the external LED to the ON state when the input signal is above the threshold. In a typical application the "FLAG" output is tied back to the "JAM" input; this forces the TTL data OUT into a LOW state when no signal is present at the input.

An auto zero loop allows the SA5214 to be directly connected to a transimpedance amplifier such as the SA5210, SA5211, or SA5212 without coupling capacitors. This auto-zero loop cancels the transimpedance amplifier's DC offset, the SA5214 A1 offset, and the data-dependent offset in the PIN diode/transimpedance amplifier combination. For more information on the SA5214 Theory of

Operation, please refer to paper titled "A Low Cost 100 MBaud Fiber-Optic Receiver" by W. Mack et al.

A typical application of the SA5214 postamplifier is depicted in Figure 5. The system uses the SA5211 transimpedance amplifier which has a 28k differential transimpedance gain and a -3dB bandwidth of 140MHz. This typical application is optimized for a 50 Mb/s Non Return to Zero (NRZ) bit stream.

As the system's gain bandwidth product is very high, it is crucial to employ good RF design and printed circuit board layout techniques to prevent the system from becoming unstable.

For more information on this application, please refer to AB 1432.

Die Sales Disclaimer

Due to the limitations in testing high frequency and other parameters at the die level, and the fact that die electrical characteristics may shift after packaging, die electrical parameters are not specified and die are not guaranteed to meet electrical characteristics (including temperature range) as noted in this data sheet which is intended only to specify electrical characteristics for a packaged device.

Postamplifier with link status indicator

SA5214

All die are 100% functional with various parametrics tested at the wafer level, at room temperature only (25°C), and are guaranteed to be 100% functional as a result of electrical testing to the point of wafer sawing only. Although the most modern processes are utilized for wafer sawing and die pick and place into waffle pack carriers, it is impossible to guarantee 100% functionality through this process. There is no post waffle pack testing performed on individual die.

Since Philips Semiconductors has no control of third party procedures in the handling or packaging of die, Philips

Semiconductors assumes no liability for device functionality or performance of the die or systems on any die sales.

Although Philips Semiconductors typically realizes a yield of 85% after assembling die into their respective packages, with care customers should achieve a similar yield. However, for the reasons stated above, Philips Semiconductors cannot guarantee this or any other yield on any die sales.

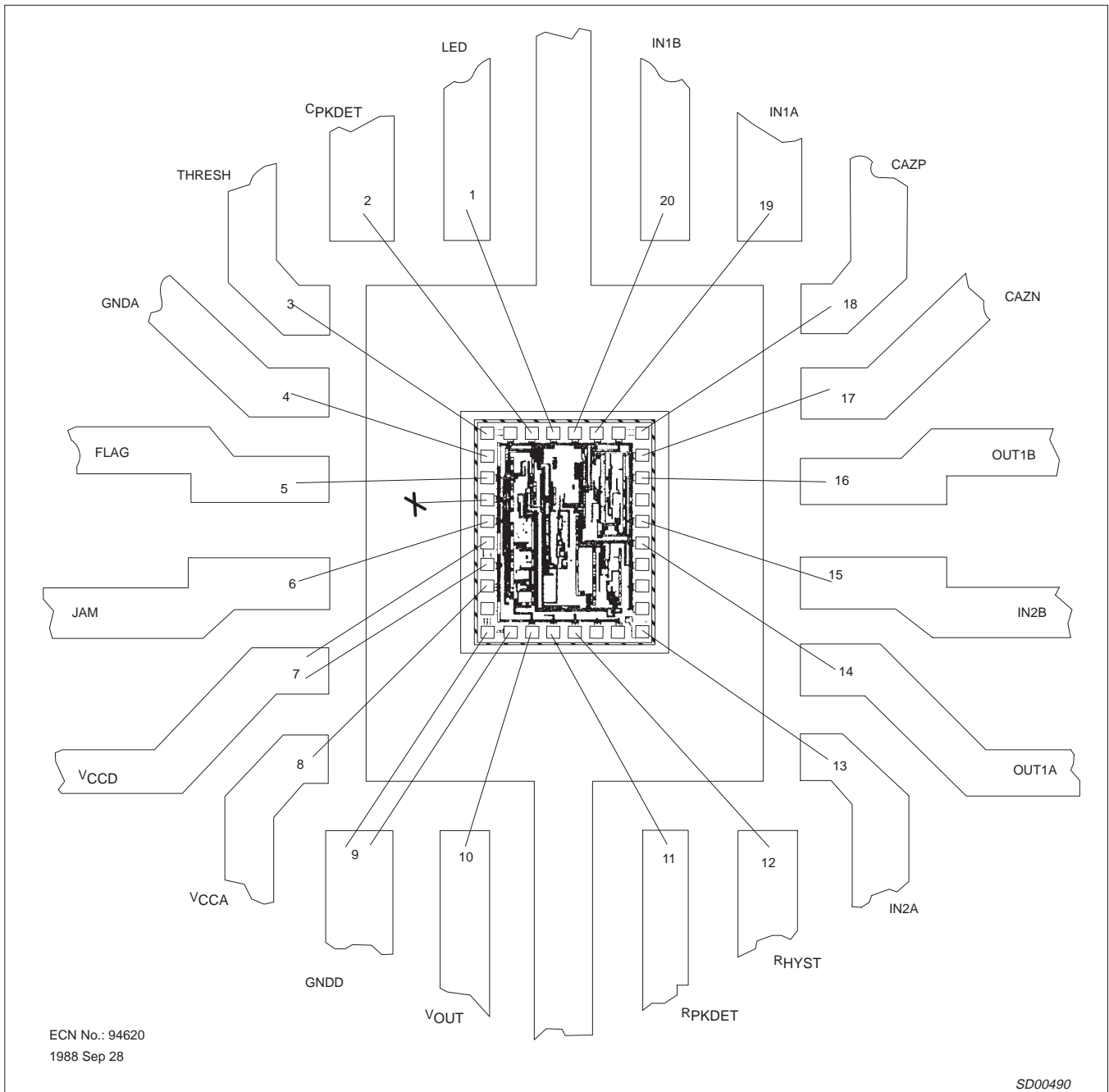


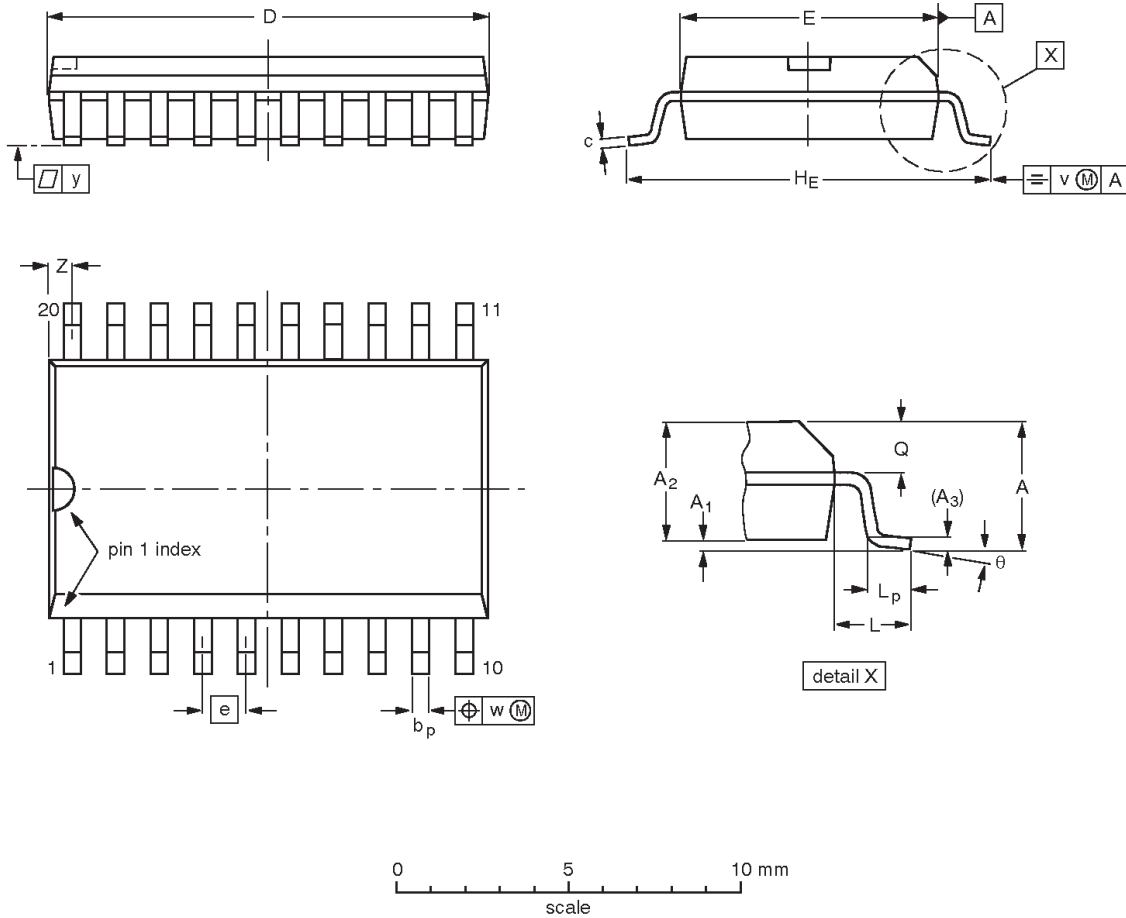
Figure 6. SA5214 Bonding Diagram

Postamplifier with link status indicator

SA5214

SO20: plastic small outline package; 20 leads; body width 7.5 mm

SOT163-1



DIMENSIONS (inch dimensions are derived from the original mm dimensions)

UNIT	A max.	A ₁	A ₂	A ₃	b _p	c	D ⁽¹⁾	E ⁽¹⁾	e	H _E	L	L _p	Q	v	w	y	z ⁽¹⁾	θ
mm	2.65	0.30 0.10	2.45 2.25	0.25	0.49 0.36	0.32 0.23	13.0 12.6	7.6 7.4	1.27	10.65 10.00	1.4	1.1 0.4	1.1 1.0	0.25	0.25	0.1	0.9 0.4	8° 0°
inches	0.10	0.012 0.004	0.096 0.089	0.01	0.019 0.014	0.013 0.009	0.51 0.49	0.30 0.29	0.050	0.419 0.394	0.055	0.043 0.016	0.043 0.039	0.01	0.01	0.004	0.035 0.016	

Note

1. Plastic or metal protrusions of 0.15 mm maximum per side are not included.

OUTLINE VERSION	REFERENCES				EUROPEAN PROJECTION	ISSUE DATE
	IEC	JEDEC	EIAJ			
SOT163-1	075E04	MS-013AC				95-01-24 97-05-22

Postamplifier with link status indicator

SA5214

Data sheet status

Data sheet status	Product status	Definition [1]
Objective specification	Development	This data sheet contains the design target or goal specifications for product development. Specification may change in any manner without notice.
Preliminary specification	Qualification	This data sheet contains preliminary data, and supplementary data will be published at a later date. Philips Semiconductors reserves the right to make changes at any time without notice in order to improve design and supply the best possible product.
Product specification	Production	This data sheet contains final specifications. Philips Semiconductors reserves the right to make changes at any time without notice in order to improve design and supply the best possible product.

[1] Please consult the most recently issued datasheet before initiating or completing a design.

Definitions

Short-form specification — The data in a short-form specification is extracted from a full data sheet with the same type number and title. For detailed information see the relevant data sheet or data handbook.

Limiting values definition — Limiting values given are in accordance with the Absolute Maximum Rating System (IEC 134). Stress above one or more of the limiting values may cause permanent damage to the device. These are stress ratings only and operation of the device at these or at any other conditions above those given in the Characteristics sections of the specification is not implied. Exposure to limiting values for extended periods may affect device reliability.

Application information — Applications that are described herein for any of these products are for illustrative purposes only. Philips Semiconductors make no representation or warranty that such applications will be suitable for the specified use without further testing or modification.

Disclaimers

Life support — These products are not designed for use in life support appliances, devices or systems where malfunction of these products can reasonably be expected to result in personal injury. Philips Semiconductors customers using or selling these products for use in such applications do so at their own risk and agree to fully indemnify Philips Semiconductors for any damages resulting from such application.

Right to make changes — Philips Semiconductors reserves the right to make changes, without notice, in the products, including circuits, standard cells, and/or software, described or contained herein in order to improve design and/or performance. Philips Semiconductors assumes no responsibility or liability for the use of any of these products, conveys no license or title under any patent, copyright, or mask work right to these products, and makes no representations or warranties that these products are free from patent, copyright, or mask work right infringement, unless otherwise specified.

Philips Semiconductors
811 East Arques Avenue
P.O. Box 3409
Sunnyvale, California 94088-3409
Telephone 800-234-7381

© Copyright Philips Electronics North America Corporation 1998
All rights reserved. Printed in U.S.A.

Date of release: 10-98

Document order number:

9397 750 04626

Let's make things better.