

MONOCHIP THREE PHASE BIDIRECTIONAL KILOWATT HOUR METERING IC

FEATURES

- Performs bidirectional energy metering and directly drives a LCD with 7 digits plus annunciators
- 4 externally selectable on-chip tariff registers
- An additional total energy register
- Meets the IEC 521/1036 Specification requirements for Class 1 AC Watt hour meters
- Optical interface for electronic reading according to IEC1107 Mode D
- Pulse output for calibration
- Total power consumption rating below 40mW
- Adaptable to different types of current sensors
- Operates over a wide temperature range
- Precision voltage reference on-chip
- Protected against ESD

DESCRIPTION

The SAMES SA9110A Three Phase bidirectional energy metering integrated circuit has an integrated Liquid Crystal Display (LCD) driver for a 7 digit (7 segment) display as well as 4 multiple tariff registers. The SA9110A performs the active power calculation.

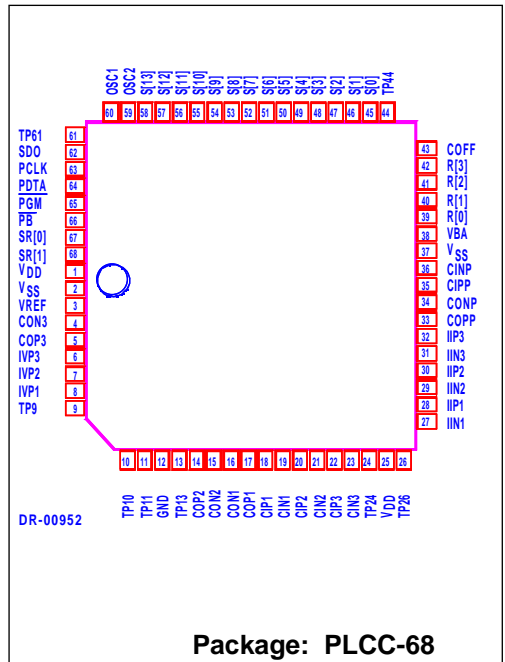
The method of calculation takes the power factor into account.

The measured energy is displayed in kilo Watt hours (kWh). The SA9110A is capable of driving a display having a resolution of 1/10 kWh.

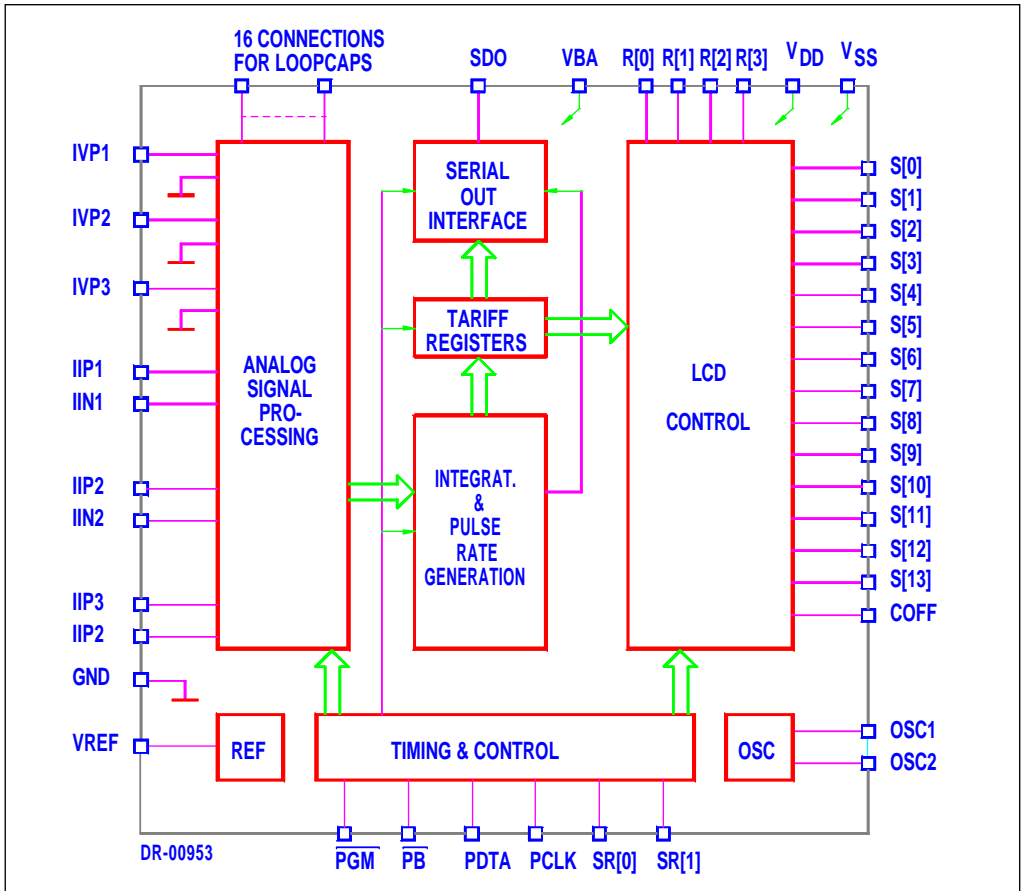
This innovative universal energy metering integrated circuit is ideally suited for energy measurement in three phase systems.

The SA9110A integrated circuit is available in a 68 pin plastic leaded chip carrier (PLCC-68) package type.

PIN CONNECTIONS



BLOCK DIAGRAM



ABSOLUTE MAXIMUM RATINGS*

Parameter	Symbol	Min	Max	Unit
Supply Voltage	V _{DD} -V _{SS}	-0.3	6.0	V
Current on any pin	I _{PIN}	-150	+150	mA
Storage Temperature	T _{STG}	-40	+125	°C
Operating Temperature	T _O	-10	+70	°C

* Stresses above those listed under "Absolute Maximum Ratings" may cause permanent damage to the device. This is a stress rating only. Functional operation of the device at these or any other condition above those indicated in the operational sections of this specification, is not implied. Exposure to Absolute Maximum Ratings for extended periods may affect device reliability.

ELECTRICAL CHARACTERISTICS

(Over the temperature range -10°C to +70°C#, unless otherwise specified.)

Parameter	Symbol	Min	Typ	Max	Unit	Condition
Supply Voltage	$V_{DD} - V_{SS}$	4.5		5.5	V	
Supply Current	I_{DD}			15	mA	
Nonlinearity of power calculation		-0.3		+0.3	%	1% - 100% of rated power
Current Sensor Inputs (Differential)						
Input Current Range	I_{II}	-25		+25	μ A	Peak value
Voltage Sensor Inputs (Asymmetric)						
Input current Range	I_{IV}	-25		+25	μ A	Peak value
LCD backplane Voltage	V_B		V_{DD} & V_{SS}		V	R[0] .. R[3]
LCD segment Voltage	V_S		$1/3 V_{DD}$ $2/3 V_{DD}$		V	S[0] .. S[15]
Pin SDO Pulse rate	f_P		3.5		Hz	Default ¹ Programmed ¹
Output Voltage Low	V_{OL}			$V_{SS} + 1$	V	$I_{OL} = 5\text{mA}$
Output Voltage High	V_{OH}	$V_{DD} - 1$			V	$I_{OH} = -2\text{mA}$
Oscillator	Recommended crystal: TV colour burst crystal $f = 3.5795$ MHz					
Pin VREF Ref. Current Ref. Voltage	$-I_R$ V_R	45 1.1	50	55 1.3	μ A V	With $R_7 = 24\text{k}\Omega$ connected to V_{SS} Referred to V_{SS}
Pins \overline{PB} , SR[0], SR[1], PGM Input Voltage High Input Voltage Low Pullup Current	V_{IH} V_{IL}	4		1	V V μ A	$V_{IN} = V_{SS}$
Pin PCLK Input Voltage High Input Voltage Low Input Current High/ Low	V_{IH} V_{IL}	4		1	V V μ A	$V_{IN} = V_{SS} \cdot V_{DD}$
Pin V_{BA}	I_{MAX} V_{MIN}	1.1		50	nA V	Power down mode

Extended Operating Temperature Range available on request

Note 1: At rated conditions



PIN DESCRIPTION

Pin	Designation	Type	Description
12	GND	Supply	Ground
1	V _{DD}	Supply	Positive Supply Voltage
25	V _{DD}	Supply	
2	V _{SS}	Supply	
37	V _{SS}	Supply	Negative Supply Voltage
38	VBA	Supply	
8	IVP1	Analog in	Input for voltage sense : Phase 1
7	IVP2	Analog in	Input for voltage sense : Phase 2
6	IVP3	Analog in	Input for voltage sense : Phase 3
27	IIN1	Analog in	Inputs for current sensor : Phase 1
28	IIP1	Analog in	
29	IIN2	Analog in	
30	IIP2	Analog in	Inputs for current sensor : Phase 2
31	IIN3	Analog in	
32	IIP3	Analog in	Inputs for current sensor : Phase 3
60	OSC1	Input	Connections for crystal or ceramic resonator (OSC1 = Input; OSC2 = Output)
59	OSC2	Output	
39	R[0]	Output	Liquid crystal display (LCD) backplane drivers
40	R[1]	Output	
41	R[2]	Output	
42	R[3]	Output	
45	S[0]	Output	
46	S[1]	Output	Liquid crystal display (LCD) segment drivers
47	S[2]	Output	
48	S[3]	Output	
49	S[4]	Output	
50	S[5]	Output	
51	S[6]	Output	
52	S[7]	Output	
53	S[8]	Output	
54	S[9]	Output	
55	S[10]	Output	
56	S[11]	Output	
57	S[12]	Output	
58	S[13]	Output	
43	COFF	Output	Connection for all unused LCD segments, to ensure off status

PIN DESCRIPTION (continued)

Pin	Designation	Type	Description
16	CON1	Analog	Connections for outer loop capacitors of A/D converters
17	COP1	Analog	
15	CON2	Analog	
14	COP2	Analog	
4	CON3	Analog	
5	COP3	Analog	
34	CONP	Analog	
33	COPP	Analog	
19	CIN1	Analog	Connections for inner loop capacitors of A/D converters
18	CIP1	Analog	
21	CIN2	Analog	
20	CIP2	Analog	
23	CIN3	Analog	
22	CIP3	Analog	
36	CINP	Analog	
35	CIPP	Analog	
3	VREF	Analog	Connection for reference current setting resistor
62	SDO	Open drain	Pulse rate output. Serial data output when \overline{PB} is low
67	SR[0]	Input	Control for tariff register selection (on-chip pull-up)
68	SR[1]	Input	Control for tariff register selection (on-chip pull-up)
66	\overline{PB}	Input	Push Button: Display select/start serial data transmission on SDO (on-chip pull-up)
65	PGM	Input	Programming Mode . It is recommended that pin PGM be connected to VDD via a 470 Ω resistor to guard against transients or noise.
64	PDTA	Input	Programming Data (on-chip pull-down)
63	PCLK	Input	Programming Clock
9	TP9		Manufacturer's test pins (Leave unconnected)
10	TP10		
11	TP11		
13	TP13		
24	TP24		
26	TP26		
44	TP44		
61	TP61		

FUNCTIONAL DESCRIPTION

The SA9110A is a CMOS mixed signal Analog/Digital integrated circuit, which performs three phase energy calculations across a power range of 1000:1, to an overall accuracy of better than Class 1. An on-chip LCD driver directly drives a 7 digit (7 segment) LCD. Also included on-chip, are 4 x tariff registers externally selectable for multi-tariff energy metering applications and a fifth register which retains the total energy consumption.

The integrated circuit includes all the required functions such as two oversampling A/D converters for the voltage and current sense inputs, power calculation and energy integration. Offset is eliminated through the use of internal cancellation procedures.

1. Power Calculation

In the Application Circuit (Figure 1), the mains voltage from Line 1, Line 2 and Line 3, are converted to currents and applied to the voltage sense inputs IVP1, IVP2 and IVP3.

The current levels on the voltage sense inputs are derived from the mains voltage (3 x 230 VAC) being divided down through voltage dividers to 14V. The resulting input currents into the A/D converters are 14 μ A through the resistors R₁₅, R₁₆ and R₁₇.

For the current sense inputs the voltage drop across the current transformers terminating resistors are converted to currents of 16 μ A for rated conditions, by means of resistors R₈, R₉ (Phase 1); R₁₀, R₁₁ (Phase 2) and R₁₂, R₁₃ (Phase 3).

The signals providing the current information are applied to the current sensor inputs IIN1, IIP1, IIN2, IIP2 and IIN3, IIP3.

A pulse rate output for calibration purposes is available on SDO (Pin 62), the pulse rate being proportional to the active energy consumption.

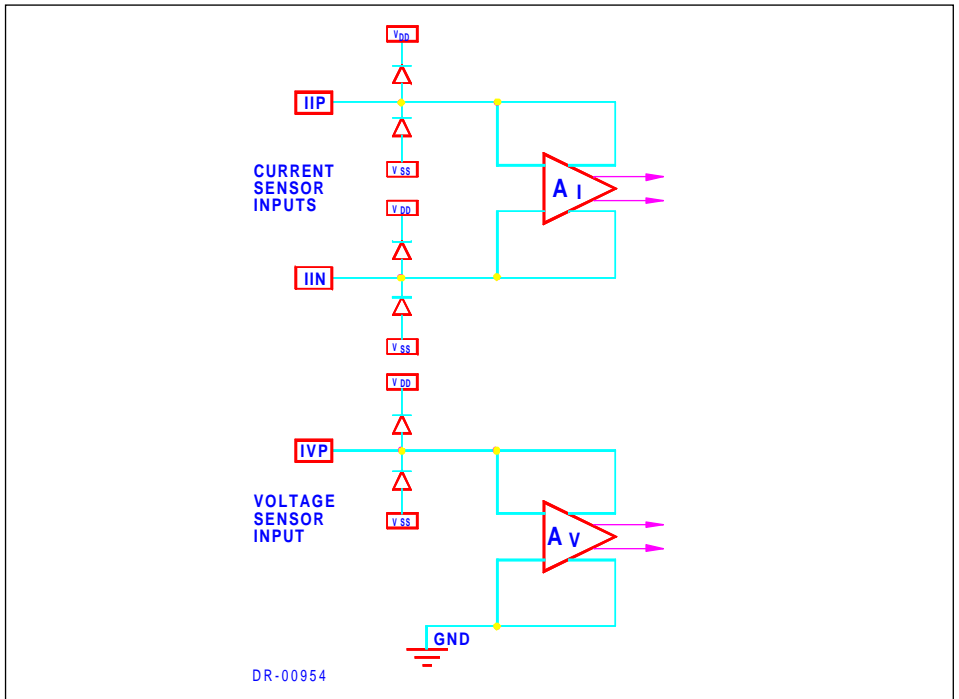
The integrated anti-creep function ensures no metering when no line current is present.

2. Analog Input Configuration

The input circuitry of the current and voltage sensor inputs are illustrated below.

These inputs are protected against electrostatic discharge through clamping diodes.

The feedback loops from the outputs of the amplifiers A_i and A_v generate virtual shorts on the signal inputs. Exact duplications of the input currents are generated for the analog signal processing circuitry.



3. LCD Driver

The SA9110A has an on-chip LCD driver capable of driving a 4 backplane, 7 digit (7 segment) display, as well as 6 annunciators.

The backplane repetition frequency is approximately 90Hz.

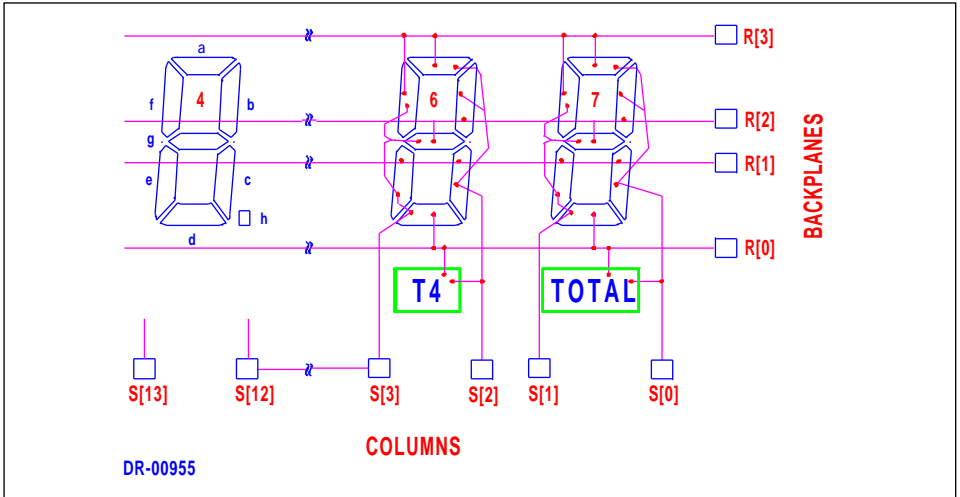
The most significant digit is addressed by columns S[13] and S[12] and the least significant digit by S[1] and S[0]. Annunciators for the total register, 4 tariff registers and energy direction indication are available on the 'h' segments of the 6 least significant digits. The display segments are addressed via the column outputs given in the table below:

LCD Segment Address Table

Digit	Column	R[0]	R[1]	R[2]	R[3]
10 ⁻¹ LSD	S[0]	Total	c	b	a
	S[1]	d	e	g	f
10 ⁰	S[2]	T4	c	b	a
	S[3]	d	e	g	f
10 ¹	S[4]	T3	c	b	a
	S[5]	d	e	g	f
10 ²	S[6]	T2	c	b	a
	S[7]	d	e	g	f
10 ³	S[8]	T1	c	b	a
	S[9]	d	e	g	f
10 ⁴	S[10]	Dir	c	b	a
	S[11]	d	e	g	f
10 ⁵ MSD	S[12]	h	c	b	a
	S[13]	d	e	g	f

LCD Layout

The LCD display is given in the diagram below:



The kWh values of the LCD display digits, are given in the table below. The resolution of the Least Significant Digit is normally programmed to 0.1kWh:

10 ⁵	10 ⁴	10 ³	10 ²	10 ¹	10 ⁰	10 ⁻¹	kWh
-----------------	-----------------	-----------------	-----------------	-----------------	-----------------	------------------	-----

4. Device Programming

The SA9110A contains on-chip registers which enables the meter manufacturer to store various data:

Slope Adjustment

The slope of the device may be adjusted by programming a slope constant (K_s) into the device during calibration. The output frequency at SDO (f_p) is calculated by means of the following formula:

$$f_p = 11.16 * \frac{\text{FOSC}}{3.5795\text{MHz}} * \frac{40062.5}{K_s} * \frac{(I_{I1} * I_{V1}) + (I_{I2} * I_{V2}) + (I_{I3} * I_{V3})}{3 * I_R^2}$$

Where

FOSC = Oscillator frequency (2MHz 4MHz)

I_{I1}, I_{I2}, I_{I3} = Input current for current sensor input (16 μ A at rated line current)

I_{V1}, I_{V2}, I_{V3} = Input current for voltage sensor input (14 μ A at rated line voltage)

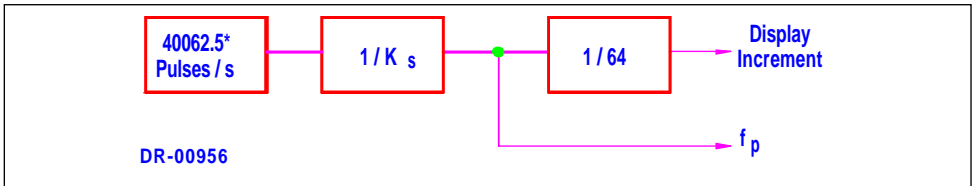
I_R = Reference current (typically 50 μ A)

K_s = Slope constant (1025 ... 16384)

(The default value is 11389)

By changing the slope of the device the resolution of the LCD together with the pulse rate on SDO may be changed by up to an order. The block diagram below illustrates the display update rate.

Programmable slope divider



* At rated conditions

The display is incremented after every 64th pulse on SDO.

Display Resolution

From the above formula for f_p it can be derived that the slope constant, K_s , is given by the following expression:-

$$K_s = (626 * 3600 * 1000 * E_{kWh}) / (3 * V_L * I_L)$$

Where E_{kWh} = energy for 1 Display increment in kWh

V_L = rated line voltage

I_L = rated line current

This formula is valid only if 16 μ A flows into each of the current sense inputs for rated line current (I_L) and 14 μ A flows into the voltage sense inputs for rated line voltage (V_L).



Offset Adjustment

The precision of this device does not require any offset adjustment for Class 1 metering. This facility has been provided to compensate for poor PCB layout or circumstances requiring precision well beyond a Class 1 rating.

The offset of the device may be adjusted by programming a different offset into the device during calibration. To calculate the offset the following procedure should be followed:

Measure the linearity error at the current where offset correction is needed.

$$K_O = \frac{I_M * E_{RR}}{I_R * 6 * 10^{-6}}$$

Where

- I_M = Measured current on the current sensor
- I_R = Rated current on the current sensor
- E_{RR} = Error ratio between the device and the Wh standard
- K_O = Offset constant (-127 ... 127)

Note that K_O must be programmed as a integer value.

Meter/Manufacturers Identification Data

A total of eleven 4 bit words are available to store relevant data such as the meter and manufacturer identification codes. For the optical interface protocol, the 4-bit words are converted to 8-bit words (ASCII-format).

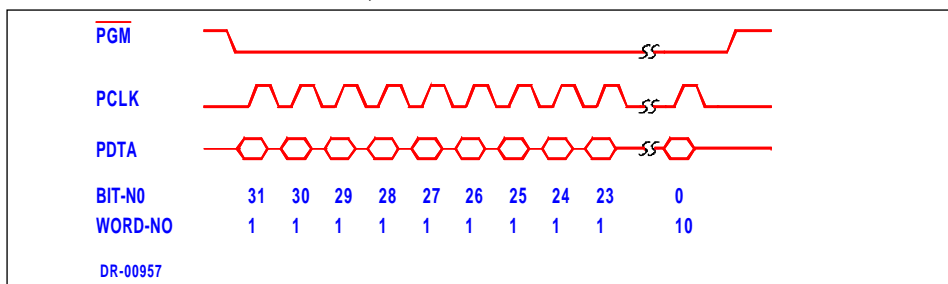
Writing to RAM

The memory is configured as ten 32 bit words. The programming data must be written to the device as a bitstream containing a total of 320 bits. ROM-locations will not be overwritten.

Word number	Bit number	Function	Description
1	31..28	Sign of Register 1	A '1' indicates a negative register value
1	27..0	Register 1	Contents of register 1 in binary coded decimal
2	31..28	Sign of Register 2	A '1' indicates a negative register value
2	27..0	Register 2	Contents of register 2 in binary coded decimal
3	31..28	Sign of Register 3	A '1' indicates a negative register value
3	27..0	Register 3	Contents of register 3 in binary coded decimal
4	31..28	Sign of Register 4	A '1' indicates a negative register value
4	27..0	Register 4	Contents of register 4 in binary coded decimal
5	31..28	Sign of Register 'Total'	A '1' indicates a negative register value

Word number	Bit number	Function	Description
5	27..0	Register 'Total'	Registers 1, 2, 3 and 4 are added and stored in the register 'Total'
6	31..16	ROM	Don't care
6	15..0	Manufacturers Identification	16 bits are available for the manufacturer of the metering system as a system identification
7	31..28	ROM	Don't care
7	27..0	System Identification	28 bits are available for the manufacturer of the metering system as a system identification
8	31..0	ROM	Don't care
9	31	Programmed slope select	Programmed slope select bit must be set if the default slope in ROM is not used
9	30..25	ROM	Don't care
9	24-22	SAMES defined register	Bits must be set to 0 for correct functionality
9	21	Sign of offset	By setting the sign bit a negative value is indicated
9	20..14	Offset	Offset of the device in binary
9	13	Sign of slope	By setting the sign bit a negative value is indicated
9	12..0	Slope	Slope of the device in binary. (default = 11389)
10	31..0	ROM	Don't care

The first bit of the programming data is written to word number 1, bit 31. The last bit is written to word number 10, bit 0.



Programming procedure:

The PGM pin is pulled low and the PCLK pin should be clocked with an external clock. The programming data on the PDTA pin must be stable during the rising edge of the clock signal on PCLK.

The clock signal on PCLK should not exceed 200 kHz and does not have to be synchronised with the oscillator frequency (FOSC).

Programming mode is interrupted if $\overline{\text{PGM}}$ goes high.

Memory Reset

In programming mode (while $\overline{\text{PGM}}$ is pulled low) if PCLK is left floating and PDTA=0, the internal clock of the SA9110A will ensure that default values are set. For default conditions all of the RAM locations are set to 0 and the value of the slope is set to 11389.

The minimum time period for a complete reset cycle is determined by:

$$t_{\min} = 322 * \frac{64}{\text{FOSC}}$$

Where FOSC = Oscillator frequency (2MHz.....4MHz)

If the recommended crystal frequency of 3.5795MHz is used, this will result in a minimum reset time of 5.8ms.

The specified signal levels on pins $\overline{\text{PGM}}$, PCLK and PDTA must remain stable for the entire reset cycle period.

5. Tariff Registers

A multiple tariff facility is provided on-chip by means of 4 tariff registers, which are externally selectable via the SR[0] and SR[1] inputs. The registers may be selected by programming the SR[0] and SR[1] inputs as follows:

SR[1]	SR[0]	Register
0	0	Register 1
0	1	Register 2
1	0	Register 3
1	1	Register 4

The 4 tariff registers as well as the total register may be sequentially displayed by activating the Push Button (PB). The minimum Push Button make time is 5mS. The contents of the register selected for display is retained on the display for a period of 10 seconds, provided that the push button is not activated during this period. After the 10 seconds has elapsed, the display defaults to the "active" register defined by the status of the SR[0] and SR[1] inputs.

The register selected for display via the push button ($\overline{\text{PB}}$) is indicated by the relevant annunciator.

6. Optical Interface

The SA9110A device contains an interface for automatic meter reading, according to the IEC1107 Mode D standard. The IEC1107 Mode D is a single baud rate of 2400. For the optical interface protocol, the 4-bit words are converted to 8-bit words (ASCII-format).

After initiation of a serial transmission by pulling \overline{PB} (pin 66) low, the data format transmitted on SDO, is given below:

Code	Description
/	Start transmission
XXX	ID
3	Baud rate identification
YYYYYYYY	ID
<cr><lf><cr><lf>	Data header
0(nnnnnnnn)	Data of Reg. 1 (sign, $10e^5$, $10e^4$... $10e^0$, $10e^{-1}$)
1(nnnnnnnn)	Data of Reg. 2
2(nnnnnnnn)	Data of Reg. 3
3(nnnnnnnn)	Data of Reg. 4
4(nnnnnnnn)	Data of Reg. 'Total' = Sum of registers 1 to 4
!<cr><lf><cr><lf>	End transmission

7. Power Failure/Battery Backup

A battery backup facility is available on VBA. This feature is provided to ensure retention of the information stored in the registers, in case of power breaks.

The VSS supply to the analog circuitry and digital circuitry has been separated. In the event of a power failure, the supply to the analog circuitry falls to 0V. The digital circuitry is switched to a power down mode, to minimise the supply current from an external battery backup. During this procedure, the following events take place:

- All inputs are disabled
- All outputs are placed in high impedance mode
- The oscillator is inhibited
- The LCD driver is disabled
- The contents of the RAM is retained by means of an external power source.

8. Electrostatic Discharge (ESD) Protection

The SA9110A integrated circuits inputs/outputs are protected against ESD.

9. Power Consumption

The power consumption rating of the SA9110A integrated circuit is less than 40mW with a 5V supply.



TYPICAL APPLICATION

In the Application Circuit (Figure 1), the components required for a three phase power metering application are shown. Terminated current transformers are used for current sensing.

The most important external components for the SA9110A integrated circuit are:

C_7 , C_9 , C_{10} and C_{11} are the outer loop capacitors for the integrated oversampling A/D converters. The typical value of C_7 is 2.2nF and the value of C_9 , C_{10} and C_{11} is 560pF.

The actual values determine the signal to noise and stability performance. The tolerances should be within $\pm 10\%$.

C_4 , C_5 , C_6 and C_8 are the inner loop capacitors for the integrated oversampling A/D converters. The typical value of C_4 , C_5 , C_6 and C_8 is 3.3nF. Values smaller than 0.5nF and larger than 5nF should be avoided.

Terminated current sensors (current transformers) are connected to the current sensor inputs of the SA9110A through current setting resistors ($R_8 \dots R_{13}$).

The resistor values should be selected for an input current of $16\mu A_{RMS}$ into the SA9110A, at the rated line current.

The values of these resistors should be calculated as follows:

Phase 1:

$$R_8 = R_9 = (I_{L1}/16\mu A_{RMS}) * R_{18}/2$$

Phase 2:

$$R_{10} = R_{11} = (I_{L2}/16\mu A_{RMS}) * R_{19}/2$$

Phase 3:

$$R_{12} = R_{13} = (I_{L3}/16\mu A_{RMS}) * R_{20}/2$$

Where I_{LX} = Secondary CT current at rated conditions.

R_{18} , R_{19} and R_{20} = Current transformer termination resistors for the three phases.

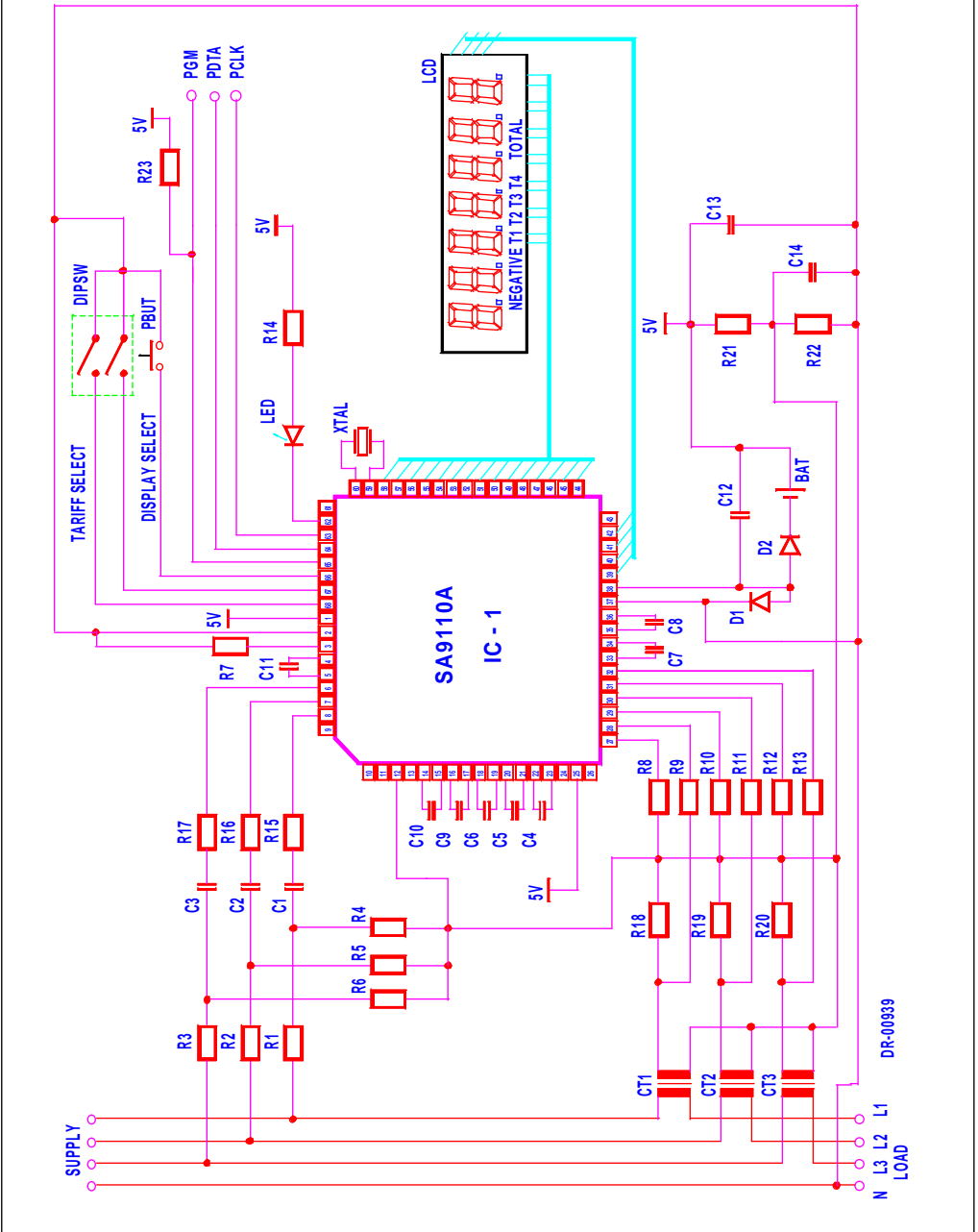
R_1 , R_4 and R_{15} set the current for the phase 1 voltage sense input. R_2 , R_5 and R_{16} set the current for phase 2 and R_3 , R_6 and R_{17} set the current for phase 3. The values should be selected so that the input currents into the voltage sense inputs (virtual ground) are set to $14\mu A_{RMS}$ for nominal line voltage. Capacitors C1, C2 and C3 are for decoupling and phase compensation.

R_7 defines all on-chip bias and reference currents (I_R). With $R_7 = 24k\Omega$, optimum conditions are set. R_7 may be varied within $\pm 10\%$ for calibration purposes. Any changes to R_7 will affect the output quadratically (i.e: $\Delta R = +5\%$, $\Delta f = +10\%$).

XTAL is a colour burst TV crystal ($f = 3.5795MHz$) for the oscillator. The oscillator frequency is divided down to 1.7897MHz on-chip to supply the digital circuitry and the A/D converters.



Figure 1: Application circuit using current transformers for current sensing.



Parts List for Application Circuit: Figure 1

Item	Symbol	Description	Detail
1	IC-1	SA9110AFA	PLCC-68
2	XTAL	Crystal, 3.5795 MHz	Colour burst TV
3	R1	Resistor, 390k, 1%, ¼W	Note 1
4	R2	Resistor, 390k, 1%, ¼W	Note 1
5	R3	Resistor, 390k, 1%, ¼W	Note 1
6	R4	Resistor, 24k, 1%, ¼W	Note 1
7	R5	Resistor, 24k, 1%, ¼W	Note 1
8	R6	Resistor, 24k, 1%, ¼W	Note 1
9	R7	Resistor, 24k, 1%, ¼W	
10	R8	Resistor	Note 2
11	R9	Resistor	Note 2
12	R10	Resistor	Note 2
13	R11	Resistor	Note 2
14	R12	Resistor	Note 2
15	R13	Resistor	Note 2
16	R14	Resistor, 820Ω, 1%, ¼W	
17	R15	Resistor, 1M, 1%, ¼W	Note 1
18	R16	Resistor, 1M, 1%, ¼W	Note 1
19	R17	Resistor, 1M, 1%, ¼W	Note 1
20	R18	Resistor	Note 2
21	R19	Resistor	Note 2
22	R20	Resistor	Note 2
23	R21	Resistor, 820Ω, 1%, ¼W	
24	R22	Resistor, 820Ω, 1%, ¼W	
25	R23	Resistor, 470Ω	
26	C1	Capacitor, electrolytic, 1μF, 16V	Note 3
27	C2	Capacitor, electrolytic, 1μF, 16V	Note 3
28	C3	Capacitor, electrolytic, 1μF, 16V	Note 3
29	C4	Capacitor, 3.3nF	
30	C5	Capacitor, 3.3nF	
31	C6	Capacitor, 3.3nF	
32	C7	Capacitor, 2.2nF	
33	C8	Capacitor, 3.3nF	
34	C9	Capacitor, 560pF	
35	C10	Capacitor, 560pF	
36	C11	Capacitor, 560pF	
37	C12	Capacitor, 100nF	
38	C13	Capacitor, 820nF	Note 4
39	C14	Capacitor, 100nF	
40	BAT	Battery (1.2V)	



Parts List for Application Circuit: Figure 1 (Continued)

Item	Symbol	Description	Detail
41	LED	Light emitting diode	
42	D1	Diode, Schottkey	
43	D2	Diode, 1N4148	
44	DIPSW	DIP swich, 2 poles	
45	PBUT	Push button	

Note 1 : Resistor values are dependant upon the rated mains voltage (230V in this case)

Note 2 : Resistor (R_8 , R_9 , R_{10} , R_{11} , R_{12} and R_{13}) values are dependant upon the selected values of the current transformer termination resistors R_{18} , R_{19} and R_{20} .

Note 3 : Capacitor values may be selected to compensate for phase errors caused by the current transformers.

Note 4 : Capacitor (C13) to be positioned as close to supply pins (V_{DD} & V_{SS}) of IC-1, as possible.

ORDERING INFORMATION

Part Number	Package
SA9110AFA	PLCC-68



Disclaimer: The information contained in this document is confidential and proprietary to South African Micro-Electronic Systems (Pty) Ltd ("SAMES") and may not be copied or disclosed to a third party, in whole or in part, without the express written consent of SAMES. The information contained herein is current as of the date of publication; however, delivery of this document shall not under any circumstances create any implication that the information contained herein is correct as of any time subsequent to such date. SAMES does not undertake to inform any recipient of this document of any changes in the information contained herein, and SAMES expressly reserves the right to make changes in such information, without notification, even if such changes would render information contained herein inaccurate or incomplete. SAMES makes no representation or warranty that any circuit designed by reference to the information contained herein, will function without errors and as intended by the designer.

Any Sales or technical questions may be posted to our e-mail address below:
energy@sames.co.za

For the latest updates on datasheets, please visit our web site:
<http://www.sames.co.za>

South African Micro-Electronic Systems (Pty) Ltd

P O Box 15888,
Lynn East, 0039
Republic of South Africa,

33 Eland Street,
Koedoespoort Industrial Area,
Pretoria,
Republic of South Africa

Tel: 012 333-6021
Fax: 012 333-8071

Tel: Int +27 12 333-6021
Fax: Int +27 12 333-8071

