

DATA SHEET

SAA9042

**Multi-standard Teletext IC for
standard and features TV**

Preliminary specification
Supersedes data of November 1990
File under Integrated Circuits, IC02

June 1995

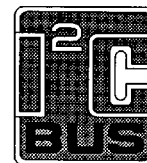
Philips Semiconductors



PHILIPS

Multi-standard Teletext IC for standard and features TV

SAA9042



FEATURES

General

- Interfaces with analog and digital TV systems
- Multi-media compatible
- Directly interfaces up to 1 Mbit dynamic RAM
- Fully independent acquisition and display timing
- 3 display modes
 - normal (1H/1V)
 - progressive scan (2H/1V)
 - 100 Hz/120 Hz (2H/2V)
- I²C-bus controlled
- Single 5 V power supply.

Acquisition

- Simultaneous update of up to 8 pages
- Up to 100 page background memory capability
- Software selectable 625/525 line operation
- Full Level-One Features (FLOF) operation
- Table Of Pages (TOP) compatible
- VCR Programming via Teletext (VPT) and Program Delivery Control (PDC) compatible
- Vertical Blanking Interval (VBI) and full channel operation
- Extension packets 26/27/28/29 and 30 fully decoded.

Display

- Stable display by slaving from scan-related timing signals
- Automatic selection of six different languages
- Versions for Western and Eastern Europe and Turkey
- Storage of 192 characters (13 × 10 dot matrix)
- Software controlled RGB level removes the need for hardware adjustment
- Up to 27 display rows; 0 to 24 and up to 2 status rows.

GENERAL DESCRIPTION

The SAA9042 is a CMOS integrated circuit designed for reception, decoding and display of 625 and 525 line World System Teletext (WST).

It is used in conjunction with a teletext video processor (SAA5191) for data regeneration, and a single-chip 64K × 4-bit or 256K × 4-bit dynamic RAM page memory.

The SAA9042 acquires teletext packets defined at levels 1, 2 and 3 in the WST specification and produces a level 1 display.

The device is microcontroller controlled via the standard I²C-bus and is compatible with analog, digital and features TV.

QUICK REFERENCE DATA

SYMBOL	PARAMETER	CONDITIONS	MIN.	TYP.	MAX.	UNIT
V _{DD}	supply voltage		4.5	5.0	5.5	V
I _{DD}	supply current		–	100	–	mA
f _{clk}	clock frequency	625 line	–	6.9375	–	MHz
		525 line	–	5.7272	–	MHz
T _{amb}	operating ambient temperature		–20	–	+70	°C

ORDERING INFORMATION

EXTENDED TYPE NUMBER	PACKAGE			
	PINS	PIN POSITION	MATERIAL	CODE
SAA9042	40	DIL	plastic	SOT129

Multi-standard Teletext IC for standard and features TV

SAA9042

BLOCK DIAGRAM

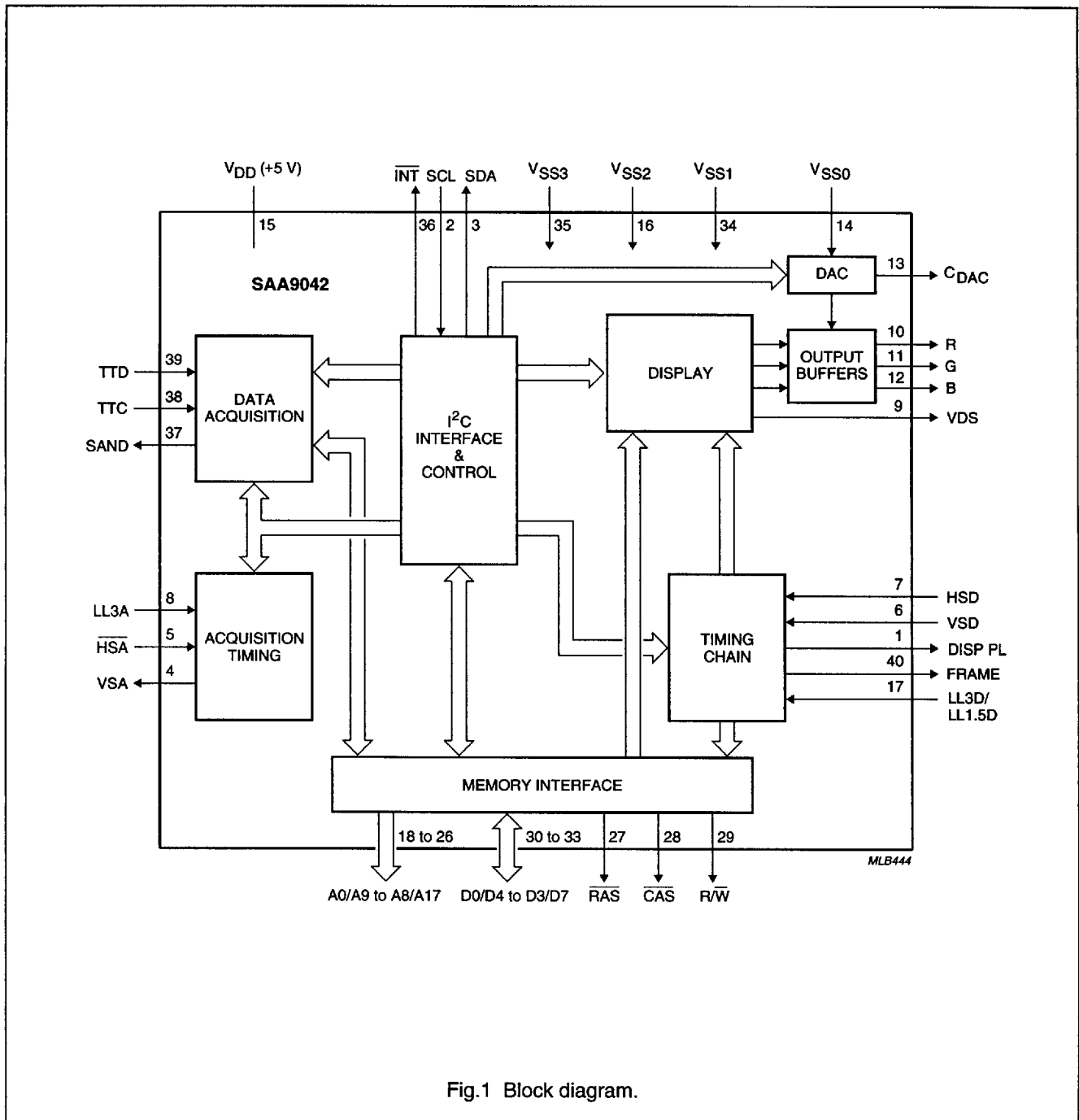


Fig.1 Block diagram.

Multi-standard Teletext IC for standard and features TV

SAA9042

PINNING

SYMBOL	PIN	DESCRIPTION
DISP PL	1	Display PL: a programmable decode from the display-timing chain which can be used as a reference signal in an external PLL in scan-locked applications.
SCL	2	Serial Clock: input signal which is the I ² C-bus clock from the microcontroller.
SDA	3	Serial Data: is the I ² C-bus data line connected to the microcontroller. It is an input/output function with an open-drain output.
VSA	4	Vertical Synchronization Acquisition: synchronization signal from the SAA5191 (VCS), derived from the incoming video. This input enables field timing to be established in the acquisition section.
HSA	5	Horizontal Synchronization Acquisition: horizontal synchronization signal derived from the incoming video e.g. burst gate pulse. This active LOW input enables line timing to be established in the acquisition section.
VSD	6	Vertical Synchronization Display: synchronization signal indicating the vertical position of the TV picture. This input allows field synchronization of the display section.
HSD	7	Horizontal Synchronization Display: synchronization signal indicating the horizontal position of the TV picture. This input allows line synchronization of the TV picture.
LL3A	8	Line-Locked system clock: 13.5 MHz system clock input for the acquisition section.
VDS	9	Video/Data Switch: push-pull active HIGH 3-state output which controls the switching between text (HIGH) and normal TV (LOW) picture for both normal text and superimposed displays.
R	10	Red: analog 3-state output which contains video character and background information for text display. The output level is adjustable over 16 steps and is controlled by V _{SS0} , V _{DD} and an internal register.
G	11	Green: analog 3-state output which contains video character and background information for text display. The output level is adjustable over 16 steps and is controlled by V _{SS0} , V _{DD} and an internal register.
B	12	Blue: analog 3-state output which contains video character and background information for text display. The output level is adjustable over 16 steps and is controlled by V _{SS0} , V _{DD} and an internal register.
C _{DAC}	13	DAC output: DAC output level, requires an external decoupling capacitor >1 µF.
V _{SS0}	14	Ground: ground connection 0 for video outputs.
V _{DD}	15	Power Supply: +5 V (typ.).
V _{SS2}	16	Ground: ground connection 2.
LL3D/LL1.5D	17	Line-Locked system clock: 13.5 MHz or 27 MHz system clock input for the display, memory interface and control sections.
A0/A9 to A8/A17	18 to 26	Address: multiplexed address outputs for the external nibble-wide dynamic RAM (DRAM). With a 256 kbit (64K × 4) DRAM the address pin A8 is not used.
RAS	27	Row Address Strobe: active LOW output for the external DRAM.
CAS	28	Column Address Strobe: active LOW output for the external DRAM.
R/W	29	Read/Write: active LOW write enable signal for the external DRAM.
D3/D7 to D0/D4	30 to 33	Data: data inputs/outputs from the external nibble-wide DRAM.
V _{SS1}	34	Ground: ground connection 1.
V _{SS3}	35	Ground: ground connection 3.

Multi-standard Teletext IC for standard and features TV**SAA9042**

SYMBOL	PIN	DESCRIPTION
INT	36	Interrupt: open-drain active LOW output which provides an interrupt signal for a microcontroller indicating the arrival of a page or packet in any one of the acquisition channels, change in newsflash/subtitle status or power-on reset.
SAND	37	Sandcastle: 3-level output for the SAA5191 representing the $\overline{PL/CBB}$ signal, derived from the acquisition timing chain.
TTC	38	Teletext Clock: input from the SAA5191 supplied via an external coupling capacitor.
TTD	39	Teletext Data: input from the SAA5191 supplied via an external coupling capacitor, internally clamped to V_{SS} for 4 to 8 μs of each line to maintain the correct DC level.
FRAME	40	Frame: output for de-interlacing circuits. The signal is LOW for even fields and HIGH for odd fields when text but no picture is displayed. It is forced LOW when a TV picture is present.

Multi-standard Teletext IC for standard and features TV

SAA9042

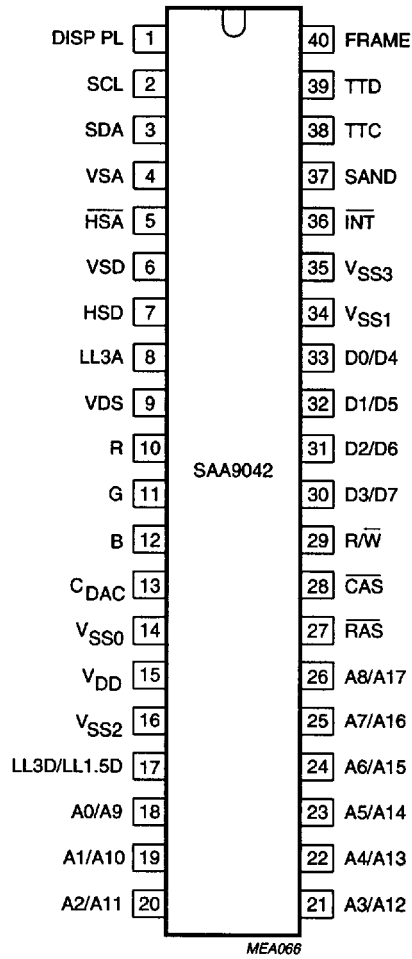


Fig.2 Pin configuration.

Multi-standard Teletext IC for standard and features TV

SAA9042

LIMITING VALUES

In accordance with the Absolute Maximum Rating System (IEC 134). All voltages are with respect to VSS1/2/3. VSS0 is considered as an output.

SYMBOL	PARAMETER	CONDITIONS	MIN.	MAX.	UNIT
V _{DD}	DC supply voltage		-0.5	+6.5	V
I _{DD}	DC supply current		tb _f	tb _f	mA
V _I	DC input voltage		-0.5	V _{DD} + 0.5	V
I _I	DC input current		-20	+20	mA
V _O	DC output voltage		-0.5	V _{DD} + 0.5	V
I _O	DC output current		-20	+20	mA
T _{stg}	storage temperature		-65	+150	°C
T _{amb}	operating ambient temperature		-20	+70	°C
V _{es}	electrostatic handling	note 1	-1000	+1000	V

Note

- Equivalent to discharging a 100 pF capacitor via a 1.5 kΩ series resistor with a rise time of 15 ns.

HANDLING

Inputs and outputs are protected against electrostatic discharges in normal handling. However, to be totally safe, it is desirable to take normal precautions appropriate to handling integrated circuits.

CHARACTERISTICS

V_{DD} = 4.5 to 5.5 V; V_{SS1/2/3} = 0 V; T_{amb} = -20 to +70 °C; unless otherwise specified.

SYMBOL	PARAMETER	CONDITIONS	MIN.	TYP.	MAX.	UNIT
Supply						
V _{DD}	DC supply voltage	note 1	4.5	5.0	5.5	V
I _{DD}	DC supply current		-	100	-	mA
Inputs; note 2						
TTD; NOTE 3						
V _{I(p-p)}	input voltage (peak-to-peak value)		2.0	-	5.0	V
C _{ext}	external coupling capacitor		-	22	50	nF
t _r , t _f	input rise and fall times	notes 4 and 26	10	-	80	ns
t _{SU;DAT}	input data set-up time	note 5	40	-	-	ns
t _{HD;DAT}	input data hold up time	note 5	40	-	-	ns
I _{LI}	input leakage current	V _I = 0 to V _{DD}	-10	-	+10	μA
C _I	input capacitance	note 26	-	7	-	pF
t _{CLon}	clamp start time	note 6	3.5	4.0	4.5	μs
t _{CLOff}	clamp finish time	note 6	7.5	8.0	8.5	μs
I _{CL}	clamp output current	note 7	1.0	-	-	mA

Multi-standard Teletext IC for standard and features TV

SAA9042

SYMBOL	PARAMETER	CONDITIONS	MIN.	TYP.	MAX.	UNIT
TTC; NOTE 8						
$V_{I(p-p)}$	input voltage (peak-to-peak value)		2.0	–	5.0	V
C_{ext}	external coupling capacitor		–	10	10	nF
I_{IM}	peak input current		–10	–	+10	mA
V_{IM}	input voltage (peak value) relative to 50% duty factor		± 0.2	–	± 3.5	V
t_r, t_f	input rise and fall times	notes 4 and 26	10	–	80	ns
C_I	input capacitance	note 26	–	7	–	pF
V_{CL}	input clamp voltage		1.2	1.4	1.6	V
f_{clk}	clock frequency	625 line	–	6.9375	–	MHz
		525 line	–	5.7272	–	MHz
HSA; NOTE 9						
V_{IL}	LOW level input voltage		0	–	0.8	V
V_{IH}	HIGH level input voltage		2.0	–	V_{DD}	V
t_r, t_f	input rise and fall times	notes 4 and 26	–	–	500	ns
I_{LI}	input leakage current	$V_I = 0$ to V_{DD}	–10	–	+10	μA
C_I	input capacitance	note 26	–	–	7	pF
VSA						
V_{IL}	LOW level input voltage		0	–	0.8	V
V_{IH}	HIGH level input voltage	note 27	2.0	–	V_{DD}	V
t_r, t_f	input rise and fall times	notes 4 and 26	–	–	500	ns
I_{LI}	input leakage current	$V_I = 0$ to V_{DD}	–10	–	+10	μA
C_I	input capacitance	note 26	–	–	7	pF
LL3A; TTL MODE; FIG.4						
V_{IL}	LOW level input voltage		0	–	0.8	V
V_{IH}	HIGH level input voltage		2.0	–	V_{DD}	V
t_{CA}	LL3A cycle time	note 10	69	74	80	ns
t_{CAH}	LL3A HIGH time		28	–	–	ns
t_{CAL}	LL3A LOW time		28	–	–	ns
I_{LI}	input leakage current	$V_I = 0$ to V_{DD}	–100	–	+100	μA
C_I	input capacitance	note 26	–	–	10	pF

Multi-standard Teletext IC for standard and features TV

SAA9042

SYMBOL	PARAMETER	CONDITIONS	MIN.	TYP.	MAX.	UNIT
LL3A; AC MODE; F = 13.5 MHz; SEE FIG.4						
V _{ACM}	mean voltage level	notes 25 and 26	-12	-	+12	V
V _{AC(p-p)}	AC voltage (peak-to-peak value)		1.0	-	3.0	V
V _{ACH}	voltage HIGH w.r.t. mean		0.3	-	2.0	V
V _{ACL}	voltage LOW w.r.t. mean		-2.0	-	-0.3	V
msr	input mark/space ratio w.r.t. mean t _{ACH} /t _{ACL} or t _{ACL} /t _{ACH}	note 28	30 : 70	-	70 : 30	
C _s	series capacitance		47	100	220	pF
Z _i	input impedance	notes 24 and 26	10	-	-	kΩ
SCL; NOTE 31						
V _{IL}	LOW level input voltage		0	-	1.5	V
V _{IH}	HIGH level input voltage		3.0	-	V _{DD}	V
t _r	input rise time	notes 4 and 26	-	-	1	μs
t _f	input fall time	notes 11 and 26	-	-	300	ns
I _{LI}	input leakage current	note 12; V _I = 0 to V _{DD}	-10	-	+10	μA
C _I	input capacitance	note 26	-	-	7	pF
HSD						
V _{IL}	LOW level input voltage		0	-	0.8	V
V _{IH}	HIGH level input voltage		2.0	-	V _{DD}	V
t _r , t _f	input rise and fall times	notes 4 and 26	-	50	500	ns
I _{LI}	input leakage current	V _I = 0 to V _{DD}	-10	-	+10	μA
C _I	input capacitance	note 26	-	-	7	pF
VSD						
V _{IL}	LOW level input voltage		0	-	0.8	V
V _{IH}	HIGH level input voltage		2.0	-	V _{DD}	V
t _r , t _f	input rise and fall times	notes 4 and 26	-	-	500	ns
I _{LI}	input leakage current	V _I = 0 to V _{DD}	-10	-	+10	μA
C _I	input capacitance	note 26	-	-	7	pF

Multi-standard Teletext IC for standard and features TV

SAA9042

SYMBOL	PARAMETER	CONDITIONS	MIN.	TYP.	MAX.	UNIT
LL3D/LL1.5D; TTL MODE						
V_{IL}	LOW level input voltage		0	–	0.8	V
V_{IH}	HIGH level input voltage		2.0	–	V_{DD}	V
t_r, t_f	input rise and fall times	notes 4 and 26	–	–	10	ns
t_{CA}	LL3D/LL1.5D cycle time	13.5 MHz	69	74	80	ns
		27.0 MHz	35	37	40	ns
t_{CAH}	LL3D/LL1.5D HIGH time	13.5 MHz	28	–	–	ns
		27.0 MHz	14	–	–	ns
t_{CAL}	LL3D/LL1.5D LOW time	13.5 MHz	28	–	–	ns
		27.0 MHz	14	–	–	ns
I_{LI}	input leakage current	$V_I = 0$ to V_{DD}	–100	–	+100	μ A
C_I	input capacitance	note 26	–	–	10	pF
LL3D/LL1.5D; AC MODE; $f = 13.5$ MHz OR 27 MHz; SEE FIG.4						
V_{ACM}	mean voltage level	notes 25 and 26	–12	–	+12	V
$V_{AC(p-p)}$	AC voltage		1.0	–	3.0	V
V_{ACH}	voltage HIGH w.r.t. mean		0.3	–	2.0	V
V_{ACL}	voltage LOW w.r.t. mean		–2.0	–	–0.3	V
msr	input mark/space ratio w.r.t. mean t_{ACH}/t_{ACL} or t_{ACL}/t_{ACH}	note 28	30 : 70	–	70 : 30	
C_s	series capacitance		47	100	220	pF
Z_i	input impedance	notes 24 and 26	10	–	–	k Ω
Inputs/outputs; note 13						
SDA; OPEN-DRAIN I/O; NOTE 31						
V_{IL}	LOW level input voltage		0	–	1.5	V
V_{IH}	HIGH level input voltage		3.0	–	V_{DD}	V
t_r	input rise time	notes 4 and 26	–	–	1	μ s
t_f	input fall time	notes 11 and 26	–	–	300	ns
I_{LI}	input leakage current	$V_I = 0$ to V_{DD} ; note 12; with output off	–10	–	+10	μ A
C_I	input capacitance	note 26	–	–	7	pF
V_{OL}	LOW level output voltage	$I_{OL} = 3$ mA	0	–	0.4	V
t_f	output fall time	notes 11 and 26	–	–	300	ns
C_L	load capacitance		–	–	400	pF

Multi-standard Teletext IC for standard and features TV

SAA9042

SYMBOL	PARAMETER	CONDITIONS	MIN.	TYP.	MAX.	UNIT
D0/D4 TO D3/D7						
V_{IL}	LOW level input voltage		0	–	0.8	V
V_{IH}	HIGH level input voltage		2.0	–	V_{DD}	V
I_{LI}	input leakage current	note 12; $V_I = 0$ to V_{DD} ; with output off	–10	–	+10	μ A
C_I	input capacitance	note 26	–	–	7	pF
V_{OL}	LOW level output voltage	$I_{OL} = 1.6$ mA	0	–	0.4	V
V_{OH}	HIGH level output voltage	$I_{OH} = -200$ μ A	2.4	–	V_{DD}	V
t_r, t_f	output rise and fall times between 0.6 V and 1.8 V	note 26	–	–	10	ns
C_L	load capacitance	note 21	–	–	100	pF
Outputs; note 13						
SAND; NOTE 22						
V_{OL}	LOW level output voltage	$I_{OL} = 0.2$ mA	0	–	0.3	V
V_{OI}	intermediate level output voltage	$I_{OI} = \pm 30$ μ A	1.3	–	2.7	V
V_{OH}	HIGH level output voltage	$I_{OH} = 0$ to -10 μ A	4.0	–	V_{DD}	V
t_r	output rise time V_{OL} to V_{OI} between 0.4 V and 1.1 V	note 26	–	–	400	ns
t_r	output rise time V_{OL} to V_{OH} between 2.9 V and 4.0 V	note 26	–	–	200	ns
t_f	output fall time V_{OH} to V_{OL} between 4.0 V and 0.4 V	note 26	–	–	50	ns
C_L	load capacitance		–	–	30	pF
\overline{INT}; OPEN-DRAIN OUTPUT						
V_{OL}	LOW level output voltage	$I_{OL} = 1.6$ mA	0	–	0.4	V
I_{LO}	output leakage current	$V_{PU} = 0$ V to V_{DD} ; with output off	–10	–	+10	μ A
t_f	output fall time	notes 15 and 26	–	–	50	ns
C_L	load capacitance		–	–	100	pF
A0/A9 TO A8/A17						
V_{OL}	LOW level output voltage	$I_{OL} = 1.6$ mA	0	–	0.4	V
V_{OH}	HIGH level output voltage	$I_{OH} = -200$ μ A	2.4	–	V_{DD}	V
t_r, t_f	output rise and fall times between 0.6 V and 1.8 V	note 26	–	–	10	ns
C_L	load capacitance	note 23	–	–	100	pF

Multi-standard Teletext IC for standard and features TV

SAA9042

SYMBOL	PARAMETER	CONDITIONS	MIN.	TYP.	MAX.	UNIT
RAS, CAS AND R/W						
V_{OL}	LOW level output voltage	$I_{OL} = 1.6 \text{ mA}$	0	–	0.4	V
V_{OH}	HIGH level output voltage	$I_{OH} = -200 \mu\text{A}$	2.4	–	V_{DD}	V
t_r, t_f	output rise and fall times between 0.6 V and 1.8 V	note 26	–	–	10	ns
C_L	load capacitance	note 23	–	–	100	pF
DISP PL AND FRAME						
V_{OL}	LOW level output voltage	$I_{OL} = 1.6 \text{ mA}$	0	–	0.4	V
V_{OH}	HIGH level output voltage	$I_{OH} = -200 \mu\text{A}$	2.4	–	V_{DD}	V
t_r, t_f	output rise and fall times	notes 16 and 26	–	–	200	ns
C_L	load capacitance		–	–	200	pF
R, G, B; 3-STATE; NOTE 29						
V_{OL}	LOW level output voltage	$I_{OL} = 2.0 \text{ mA}$; note 17	V_{SS0}	–	$V_{SS0} + 0.2$	V
V_{OH}	HIGH level output voltage	$I_{OH} = -2 \text{ mA}$; note 18	–	note 30	–	V
t_r, t_f	output rise and fall times between 0.6 V and 1.8 V	notes 4, 17 and 26	–	–	10	ns
C_L	load capacitance		–	–	30	pF
C_{off}	output capacitance	off state; note 26	–	–	10	pF
I_{off}	output leakage current	off state; $V_I = 0$ to V_{DD}	-10	–	+10	μA
VDS; 3-STATE; NOTE 29						
V_{OL}	LOW level output voltage	$I_{OL} = 1.0 \text{ mA}$	0	–	0.2	V
V_{OH}	HIGH level output voltage	$I_{OH} = -200 \mu\text{A}$	1.1	–	2.8	V
t_r, t_f	output rise and fall times	note 26	–	–	10	ns
C_L	load capacitance		–	–	30	pF
I_{off}	output leakage current	off state; $V_I = 0$ to V_{DD}	-10	–	+10	μA
t_{skew}	skew delay between R, G, B and VDS outputs	note 19	–	–	10	ns

Multi-standard Teletext IC for standard and features TV

SAA9042

SYMBOL	PARAMETER	CONDITIONS	MIN.	TYP.	MAX.	UNIT
Timing						
I ² C-BUS; NOTE 20; FIG.3						
f _{SCL}	SCL clock frequency	note 31	0	–	100	kHz
t _{LOW}	clock LOW period		4	–	–	µs
t _{HIGH}	clock HIGH period		4	–	–	µs
t _{SU;DAT}	data set-up time		250	–	–	ns
t _{HD;DAT}	data hold time		0	–	–	ns
t _{SU;STO}	set-up time from clock HIGH to STOP		4	–	–	µs
t _{BUF}	START set-up time following a STOP		4	–	–	µs
t _{HD;STA}	START hold time		4	–	–	µs
t _{SU;STA}	START set-up time following clock LOW-to-HIGH transition		4	–	–	µs
MEMORY INTERFACE; NOTE 14; FIGS 5 AND 6						
t _{CY}	cycle time		–	481	–	ns
t _T	transition time		–	–	10	ns
t _{W;RAS}	RAS pulse width		120	–	–	ns
t _{PC;RAS}	RAS precharge time		90	–	–	ns
t _{HD;CAS}	CAS hold time		120	–	–	ns
t _{CY;PM}	page mode cycle time		120	–	–	ns
t _d	RAS to CAS delay time		25	–	–	ns
t _{W;CAS}	CAS pulse width		60	–	–	ns
t _{PC;CAS}	CAS precharge time		50	–	–	ns
t _{SU;ROW}	row address set-up time		0	–	–	ns
t _{HD;ROW}	row address hold time		15	–	–	ns
t _{SU;COL}	column address set-up time		0	–	–	ns
t _{HD;COL}	column address hold time		20	–	–	ns
t _{SU;RD}	read command set-up time		0	–	–	ns
t _{HD;RDC}	read command hold time referenced to CAS		0	–	–	ns
t _{HD;RDR}	read command hold time referenced to RAS		10	–	–	ns
t _{ACC;CAS}	access time from CAS		–	–	60	ns
t _{W;WR}	write command pulse width		50	–	–	ns
t _{HD;WR}	write command hold time		40	–	–	ns
t _{SU;DATI}	data input set-up time		0	–	–	ns
t _{HD;DATI}	data input hold time		40	–	–	ns

Multi-standard Teletext IC for standard and features TV

SAA9042

SYMBOL	PARAMETER	CONDITIONS	MIN.	TYP.	MAX.	UNIT
$t_{ACC;RAS}$	access time from \overline{RAS}		–	–	120	ns
$t_{HD;RC}$	\overline{RAS} hold time after \overline{CAS}		60	–	–	ns
$t_{PC;CR}$	\overline{CAS} to \overline{RAS} precharge time		20	–	–	ns
$t_{HD;COLR}$	column address hold time referenced to \overline{RAS}		80	–	–	ns
$t_{HD;DATIR}$	data input hold time referenced to \overline{RAS}		100	–	–	ns

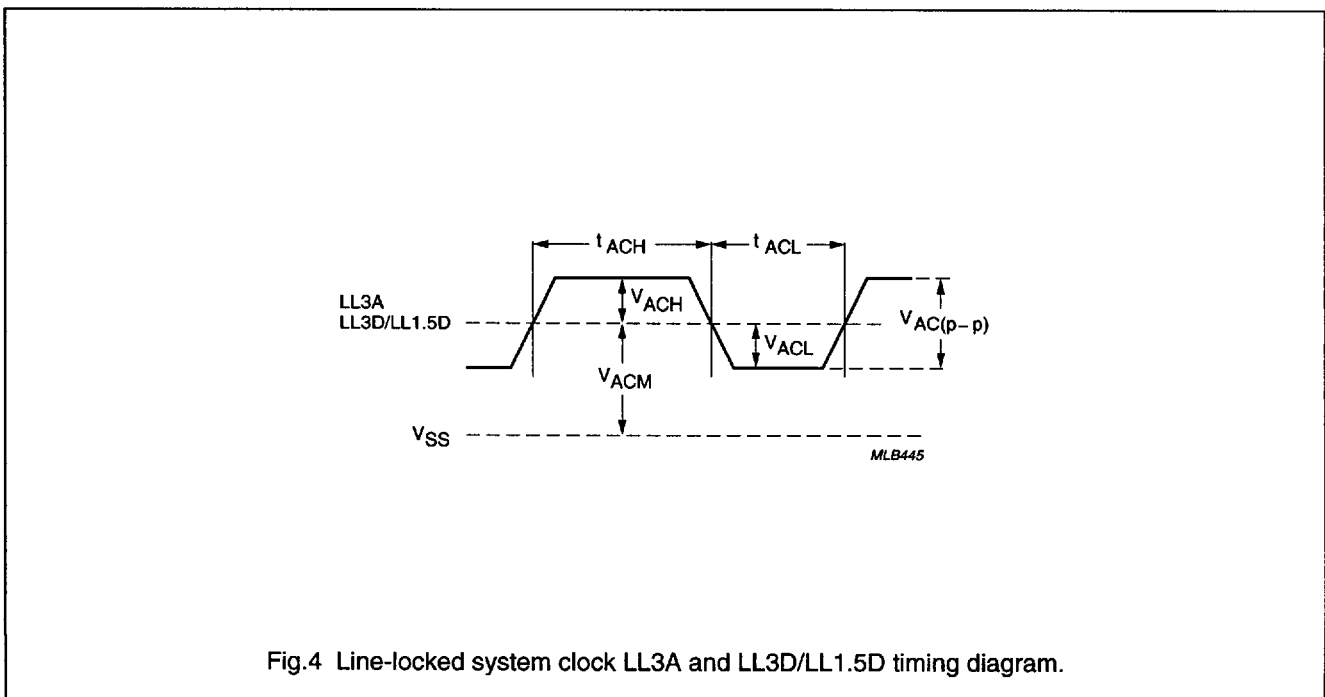
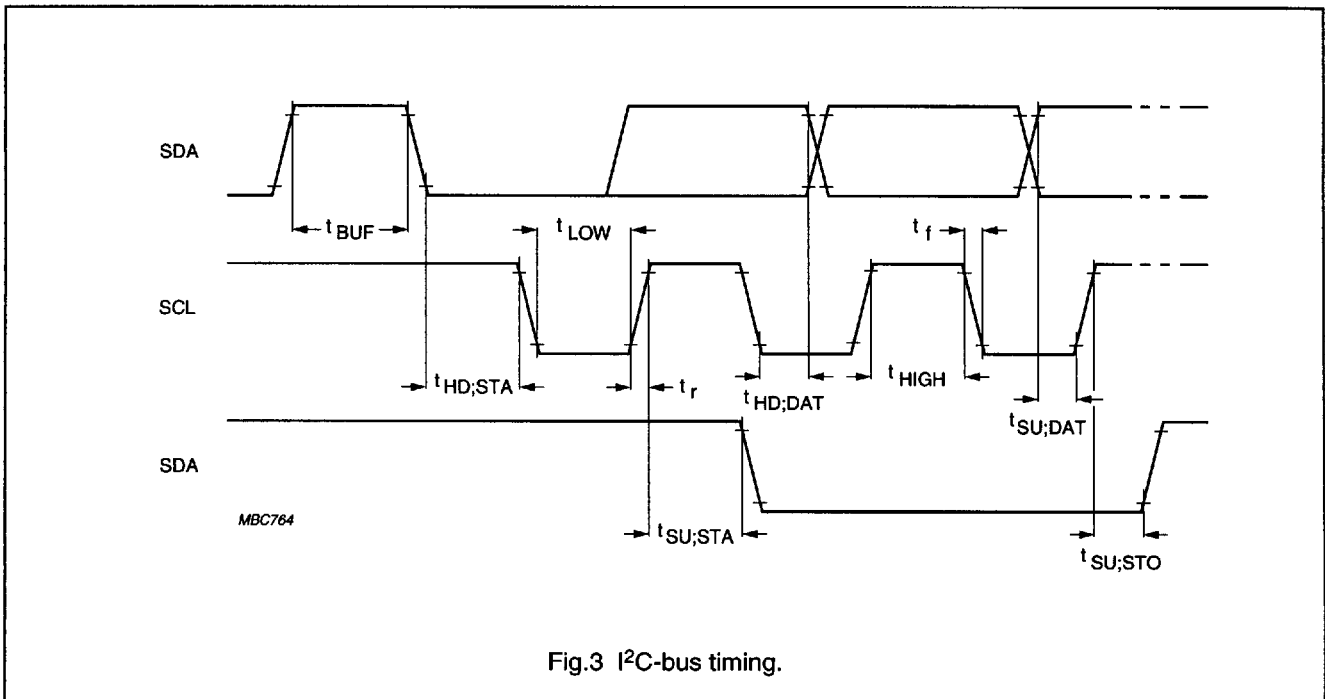
Notes

- The rise time of V_{DD} from 0 to 4.5 V must be >150 ns to ensure that the internal power-on reset triggers. For this circuit to reset the chip, V_{DD} must be initially <1.0 V or fall to <1.0 V for at least 100 ns. Spikes on V_{DD} are tolerable provided that V_{DD} is not reduced to <2.5 V.
- All inputs are protected against static charge under normal handling.
- The TTD input incorporates an internal clamping diode in addition to the active clamping transistor.
- Rise and fall times are measured between 10% and 90% levels.
- Teletext input data set-up and hold times are measured with respect to 50% duty factor level of the rising edge of the teletext clock input (TTC). Data stable 1 \geq 2.0 V, data stable 0 \leq 0.8 V.
- Clamp times measured from the line sync reference point, assuming acquisition timing is set correctly.
- Clamping transistor on, $V_{TTD} - V_{SS1} \leq 0.1$ V.
- The TTC input has an internal clamping diode.
- \overline{HSA} is falling edge triggered.
- Minimum and maximum cycle times are $\pm 7.1\%$ of the typical value.
- Fall time is measured between 3.0 V and 1.5 V.
- Applies even when $V_{DD} = 0$ V.
- All input/outputs and outputs are protected against static charge under normal handling.
- For details of memory interface timings to and from external DRAM see Figs 5 and 6.
- Output fall time measured between 4.0 V and 1.0 V levels with a 3.3 k Ω load to 5.0 V.
- Output rise and fall times measured between 0.8 V and 2.0 V levels.
- Measured with $I_{OL} = 2.0$ mA, $V_{SS0} = V_{SS1/2/3}$ and output voltage (C_{DAC}) = 1.5 V.
- Measured with $I_{OH} = -2$ mA, $V_{SS0} = V_{SS1/2/3}$ and output voltage (C_{DAC}) = 0.5 to 1.5 V.
- Skew delay time measured at 0.7 V levels.
- For details of I²C-bus timings see Fig.3; timings are referenced to $V_{IH} = 3.0$ V and $V_{IL} = 1.5$ V.
- Load capacitance measured with two DRAM data inputs; 50 pF maximum.
- A current of 1 μ A flows out of the SAA5191 while its SAND input is in the range of 1 V to 3.5 V.
- Load capacitance measured with eight DRAM data inputs; 80 pF maximum.
- Through a 200 pF capacitor with a 13.5 MHz sinewave.
- To be applied via a series capacitor only.
- This specification point is included because of its importance to the application environment; it is not however guaranteed.
- When connected to the SAA5191, it is acceptable for the clock frequency to initially attain ≤ 15 MHz in order to achieve synchronization.

Multi-standard Teletext IC for standard and features TV

SAA9042

- 28. When connected to the SAA5191, it is acceptable for the input voltage to attain $V_{DD} + 0.9$ V. The input current must be restricted as specified in the limiting values.
- 29. These outputs can be made 3-state via the I²C-bus.
- 30. Typical values adjustable over 0.5 to 1.5 V via the I²C-bus.
- 31. A standard (100 kHz) I²C interface is implemented. Fast mode (400 kHz) is not supported.



Multi-standard Teletext IC for standard and features TV

SAA9042

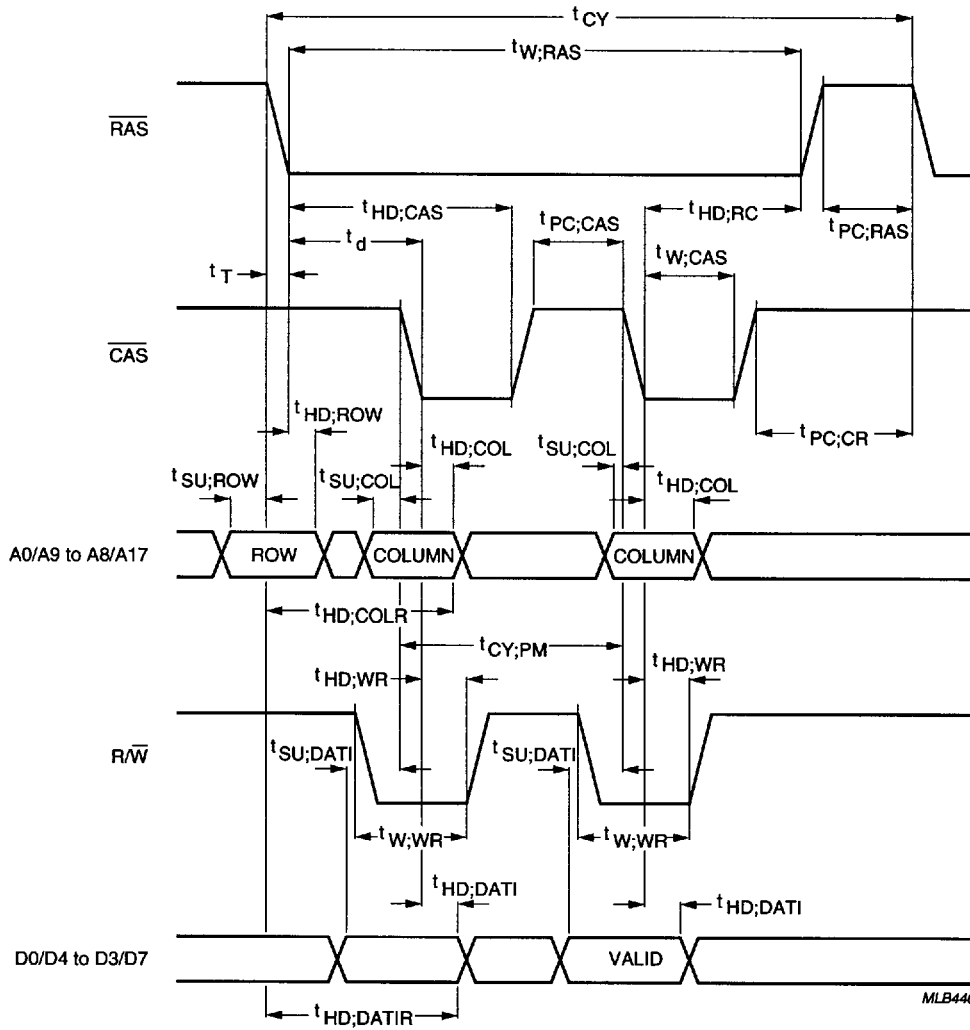


Fig.5 Memory interface timing for write cycle to external DRAM.

MLB446

Multi-standard Teletext IC for standard and features TV

SAA9042

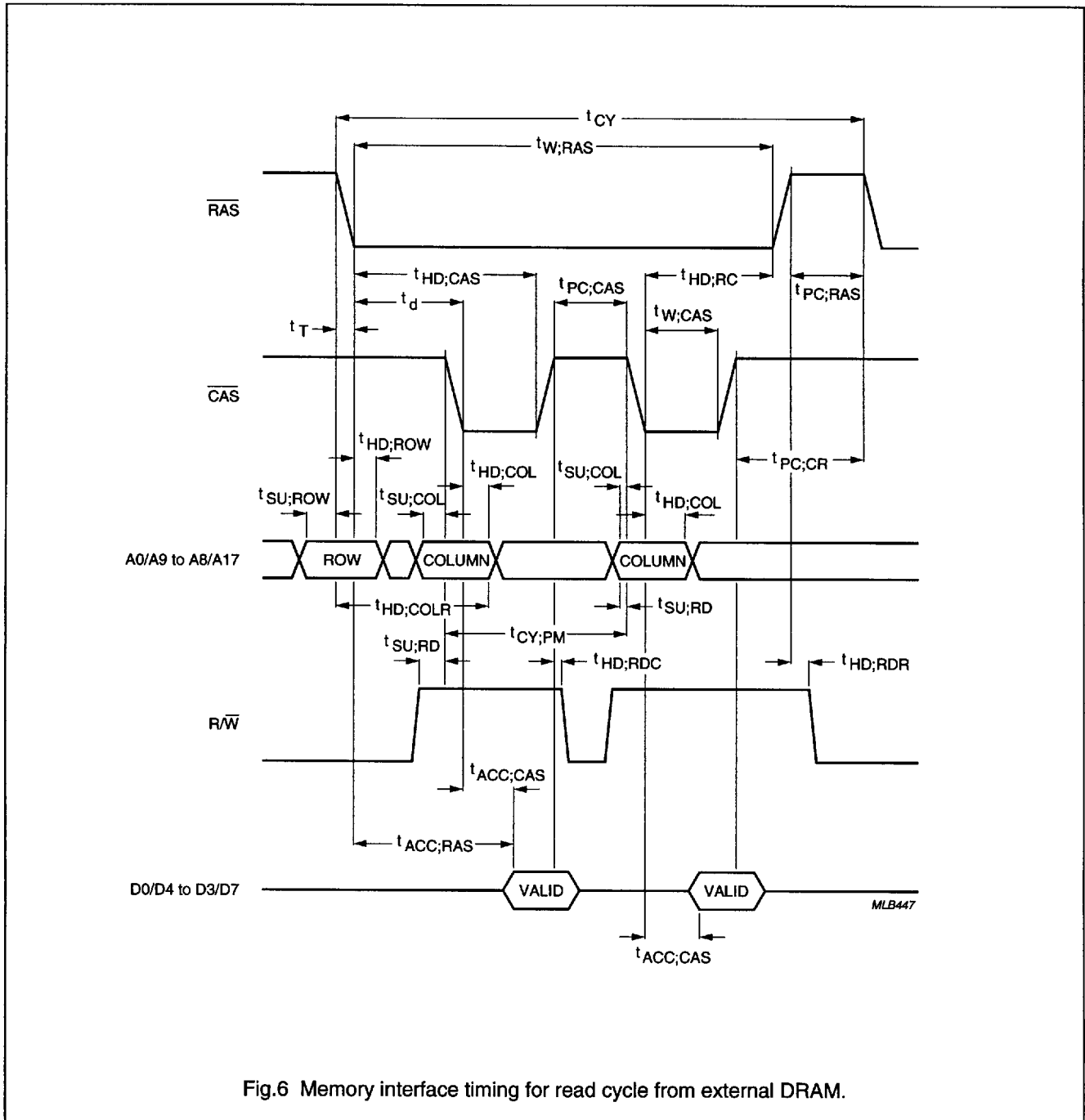


Fig.6 Memory interface timing for read cycle from external DRAM.

CHARACTER SETTINGS

The different character settings are explained in Tables 1 to 6.

Multi-standard Teletext IC for standard and features TV

SAA9042

Notes to Table 1

1. These control characters are reserved for compatibility with other data codes.
2. These control characters are presumed before each rows begins.

Table 2 SAA9042A West European national option sets.

LANGUAGE	PHCB ⁽¹⁾			CHARACTER POSITION (COLUMN / ROW)												
	C12	C13	C14	2 / 3	2 / 4	4 / 0	5 / 11	5 / 12	5 / 13	5 / 14	5 / 15	6 / 0	7 / 11	7 / 12	7 / 13	7 / 14
ENGLISH	0	0	0	£	\$	@	←	½	→	↑	#	—	¼		¾	÷
GERMAN	0	0	1	#	\$	§	Ä	Ö	Ü	^	□	°	ä	ö	ü	ß
SWEDISH	0	1	0	#	Å	É	Ä	Ö	Å	Ü	□	é	ä	ö	å	ü
ITALIAN ⁽²⁾	0	1	1	£	\$	é	°	ç	→	↑	#	ù	à	ó	è	ì
FRENCH	1	0	0	é	ï	à	ë	è	ù	î	#	è	à	ö	ü	ç
SPANISH	1	0	1	ç	\$	í	á	é	í	ó	ú	¿	ü	ñ	è	á

MEA559

Notes

1. Where PHCB are the Page Header Control Bits. Other combinations of PHCB default to English.
2. Basic character set is Italian. Selected when the force language bit (D5) in the display set-up register (R12) is set to logic 1.

Multi-standard Teletext IC for standard and features TV

SAA9042

Table 3 SAA9042B Eastern European character set; for N.O. (national option character position) see Table 4.

B ↑ T S	column							15
	b ₇	b ₆	b ₅	b ₄	b ₃	b ₂	b ₁	
0	0	0	0	0	0	0	0	16
0	0	0	0	0	0	0	0	Ü
0	0	0	0	0	0	0	0	Ů
0	0	0	0	0	0	0	0	Ǫ
0	0	0	0	0	0	0	0	ǫ
0	0	0	0	0	0	0	0	Ǧ
0	0	0	0	0	0	0	0	ǧ
0	0	0	0	0	0	0	0	Ǩ
0	0	0	0	0	0	0	0	ǩ
0	0	0	0	0	0	0	0	Ǭ
0	0	0	0	0	0	0	0	ǭ
0	0	0	0	0	0	0	0	Ǯ
0	0	0	0	0	0	0	0	ǯ
0	0	0	0	0	0	0	0	ǰ
0	0	0	0	0	0	0	0	ǋ
0	0	0	0	0	0	0	0	ǌ
0	0	0	0	0	0	0	0	Ǎ
0	0	0	0	0	0	0	0	ǎ
0	0	0	0	0	0	0	0	Ǐ
0	0	0	0	0	0	0	0	ǐ
0	0	0	0	0	0	0	0	Ǒ
0	0	0	0	0	0	0	0	ǒ
0	0	0	0	0	0	0	0	Ǔ
0	0	0	0	0	0	0	0	ǔ
0	0	0	0	0	0	0	0	ǖ
0	0	0	0	0	0	0	0	Ǘ
0	0	0	0	0	0	0	0	Ǚ
0	0	0	0	0	0	0	0	ǚ
0	0	0	0	0	0	0	0	ǜ
0	0	0	0	0	0	0	0	ǝ
0	0	0	0	0	0	0	0	Ǟ
0	0	0	0	0	0	0	0	ǟ
0	0	0	0	0	0	0	0	Ǡ
0	0	0	0	0	0	0	0	ǡ
0	0	0	0	0	0	0	0	Ǣ
0	0	0	0	0	0	0	0	ǣ
0	0	0	0	0	0	0	0	Ǥ
0	0	0	0	0	0	0	0	ǥ
0	0	0	0	0	0	0	0	Ǉ
0	0	0	0	0	0	0	0	ǈ
0	0	0	0	0	0	0	0	ǉ
0	0	0	0	0	0	0	0	Ǌ
0	0	0	0	0	0	0	0	ǋ
0	0	0	0	0	0	0	0	ǌ
0	0	0	0	0	0	0	0	Ǎ
0	0	0	0	0	0	0	0	ǎ
0	0	0	0	0	0	0	0	Ǐ
0	0	0	0	0	0	0	0	ǐ
0	0	0	0	0	0	0	0	Ǒ
0	0	0	0	0	0	0	0	ǒ
0	0	0	0	0	0	0	0	Ǔ
0	0	0	0	0	0	0	0	ǔ
0	0	0	0	0	0	0	0	ǖ
0	0	0	0	0	0	0	0	Ǘ
0	0	0	0	0	0	0	0	Ǚ
0	0	0	0	0	0	0	0	ǚ
0	0	0	0	0	0	0	0	ǜ
0	0	0	0	0	0	0	0	ǝ
0	0	0	0	0	0	0	0	Ǟ
0	0	0	0	0	0	0	0	ǟ
0	0	0	0	0	0	0	0	Ǡ
0	0	0	0	0	0	0	0	ǡ
0	0	0	0	0	0	0	0	Ǣ
0	0	0	0	0	0	0	0	ǣ
0	0	0	0	0	0	0	0	Ǥ
0	0	0	0	0	0	0	0	ǥ
0	0	0	0	0	0	0	0	Ǉ
0	0	0	0	0	0	0	0	ǈ
0	0	0	0	0	0	0	0	ǉ
0	0	0	0	0	0	0	0	Ǌ
0	0	0	0	0	0	0	0	ǋ
0	0	0	0	0	0	0	0	ǌ
0	0	0	0	0	0	0	0	Ǎ
0	0	0	0	0	0	0	0	ǎ
0	0	0	0	0	0	0	0	Ǐ
0	0	0	0	0	0	0	0	ǐ
0	0	0	0	0	0	0	0	Ǒ
0	0	0	0	0	0	0	0	ǒ
0	0	0	0	0	0	0	0	Ǔ
0	0	0	0	0	0	0	0	ǔ
0	0	0	0	0	0	0	0	ǖ
0	0	0	0	0	0	0	0	Ǘ
0	0	0	0	0	0	0	0	Ǚ
0	0	0	0	0	0	0	0	ǚ
0	0	0	0	0	0	0	0	ǜ
0	0	0	0	0	0	0	0	ǝ
0	0	0	0	0	0	0	0	Ǟ
0	0	0	0	0	0	0	0	ǟ
0	0	0	0	0	0	0	0	Ǡ
0	0	0	0	0	0	0	0	ǡ
0	0	0	0	0	0	0	0	Ǣ
0	0	0	0	0	0	0	0	ǣ
0	0	0	0	0	0	0	0	Ǥ
0	0	0	0	0	0	0	0	ǥ
0	0	0	0	0	0	0	0	Ǉ
0	0	0	0	0	0	0	0	ǈ
0	0	0	0	0	0	0	0	ǉ
0	0	0	0	0	0	0	0	Ǌ
0	0	0	0	0	0	0	0	ǋ
0	0	0	0	0	0	0	0	ǌ
0	0	0	0	0	0	0	0	Ǎ
0	0	0	0	0	0	0	0	ǎ
0	0	0	0	0	0	0	0	Ǐ
0	0	0	0	0	0	0	0	ǐ
0	0	0	0	0	0	0	0	Ǒ
0	0	0	0	0	0	0	0	ǒ
0	0	0	0	0	0	0	0	Ǔ
0	0	0	0	0	0	0	0	ǔ
0	0	0	0	0	0	0	0	ǖ
0	0	0	0	0	0	0	0	Ǘ
0	0	0	0	0	0	0	0	Ǚ
0	0	0	0	0	0	0	0	ǚ
0	0	0	0	0	0	0	0	ǜ
0	0	0	0	0	0	0	0	ǝ
0	0	0	0	0	0	0	0	Ǟ
0	0	0	0	0	0	0	0	ǟ
0	0	0	0	0	0	0	0	Ǡ
0	0	0	0	0	0	0	0	ǡ
0	0	0	0	0	0	0	0	Ǣ
0	0	0	0	0	0	0	0	ǣ
0	0	0	0	0	0	0	0	Ǥ
0	0	0	0	0	0	0	0	ǥ
0	0	0	0	0	0	0	0	Ǉ
0	0	0	0	0	0	0	0	ǈ
0	0	0	0	0	0	0	0	ǉ
0	0	0	0	0	0	0	0	Ǌ
0	0	0	0	0	0	0	0	ǋ
0	0	0	0	0	0	0	0	ǌ
0	0	0	0	0	0	0	0	Ǎ
0	0	0	0	0	0	0	0	ǎ
0	0	0	0	0	0	0	0	Ǐ
0	0	0	0	0	0	0	0	ǐ
0	0	0	0	0	0	0	0	Ǒ
0	0	0	0	0	0	0	0	ǒ
0	0	0	0	0	0	0	0	Ǔ
0	0	0	0	0	0	0	0	ǔ
0	0	0	0	0	0	0	0	ǖ
0	0	0	0	0	0	0	0	Ǘ
0	0	0	0	0	0	0	0	Ǚ
0	0	0	0	0	0	0	0	ǚ
0	0	0	0	0	0	0	0	ǜ
0	0	0	0	0	0	0	0	ǝ
0	0	0	0	0	0	0	0	Ǟ
0	0	0	0	0	0	0	0	ǟ
0	0	0	0	0	0	0	0	Ǡ
0	0	0	0	0	0	0	0	ǡ
0	0	0	0	0	0	0	0	Ǣ
0	0	0	0	0	0	0	0	ǣ
0	0	0	0	0	0	0	0	Ǥ
0	0	0	0	0	0	0	0	ǥ
0	0	0	0	0	0	0	0	Ǉ
0	0	0	0	0	0	0	0	ǈ
0	0	0	0	0	0	0	0	ǉ
0	0	0	0	0	0	0	0	Ǌ
0	0	0	0	0	0	0	0	ǋ
0	0	0	0	0	0	0	0	ǌ
0	0	0	0	0	0	0	0	Ǎ
0	0	0	0	0	0	0	0	ǎ
0	0	0	0	0	0	0	0	Ǐ
0	0	0	0	0	0	0	0	ǐ
0	0	0	0	0	0	0	0	Ǒ
0	0	0	0	0	0	0	0	ǒ
0	0	0	0	0	0	0	0	Ǔ
0	0	0	0	0	0	0	0	ǔ
0	0	0	0	0	0	0	0	ǖ
0	0	0	0	0	0	0	0	Ǘ
0	0	0	0	0	0	0	0	Ǚ
0	0	0	0	0	0	0	0	ǚ
0	0	0	0	0</				

Multi-standard Teletext IC for standard and features TV

SAA9042

Notes to Table 3

1. These control characters are reserved for compatibility with other data codes.
2. These control characters are presumed before each rows begins.

Table 4 SAA9042B Eastern European national option sets.

LANGUAGE	PHCB ⁽¹⁾			CHARACTER POSITION (COLUMN / ROW)													
	C12	C13	C14	2/3	2/4	4/0	5/11	5/12	5/13	5/14	5/15	6/0	7/11	7/12	7/13	7/14	
POLISH	0	0	0	#	ń	ą	ż	ś	ł	ć	ó	ę	ź	ś	Ź	Ż	
GERMAN	0	0	1	#	Œ	Š	Ä	Ö	Ü	^	_	°	ä	ö	ü	ß	
SWEDISH	0	1	0	#	Å	É	Ä	Ö	Å	Ü	_	é	ä	ö	å	ü	
SERBO-CROAT	1	0	1	#	½	Č	Ć	Ž	Đ	Š	Ě	Č	Ć	Ž	đ	š	
CZECHOSLOVAK	1	1	0	#	Č	Ď	Ť	Ž	Ý	Í	Ř	É	Á	Ě	Ú	Š	
ROMANIAN ⁽²⁾	1	1	1	#	Å	Ț	Ă	Ș	Ă	Î	Ț	Ă	Ș	Ă	Î		

MLB450

Notes

1. Other combinations of C12, C13 and C14 default to German.
2. Basic character set is Romanian. Selected when the force language bit (D5) in the display set-up register (R12) is set to logic 1.

Multi-standard Teletext IC for standard and features TV

SAA9042

Notes to Table 5

1. These control characters are reserved for compatibility with other data codes.
2. These control characters are presumed before each rows begins.

Table 6 SAA9042C Euro-Turkish national option sets.

LANGUAGE	PHCB ⁽¹⁾			CHARACTER POSITION (COLUMN / ROW)												
	C12	C13	C14	2 / 3	2 / 4	4 / 0	5 / 11	5 / 12	5 / 13	5 / 14	5 / 15	6 / 0	7 / 11	7 / 12	7 / 13	7 / 14
ENGLISH	0	0	0	£	\$	@	←	↳	↑	#	—	¼		¾	÷	
GERMAN	0	0	1	#	\$	§	Ä	Ö	Ü	^	_	°	ä	ö	ü	ß
ITALIAN ⁽²⁾	0	1	1	£	\$	é	°	ç	→	↑	#	ù	à	ó	è	ì
FRENCH	1	0	0	é	ï	à	ë	è	ù	î	#	é	à	ó	ù	ç
SPANISH	1	0	1	ç	\$	í	á	é	í	ó	ú	¿	ü	ñ	è	à
TURKISH	1	1	0	ı	ğ	İ	Ş	Ö	Ç	Ü	Ğ	ı	Ş	ö	ç	ü

MLB452

Notes

1. Other combinations of C12, C13 and C14 default to English.
2. Basic character set is Italian. Selected when the force language bit (D5) in the display set-up register (R12) is set to logic 1.

Multi-standard Teletext IC for standard and features TV

SAA9042

APPLICATION INFORMATION

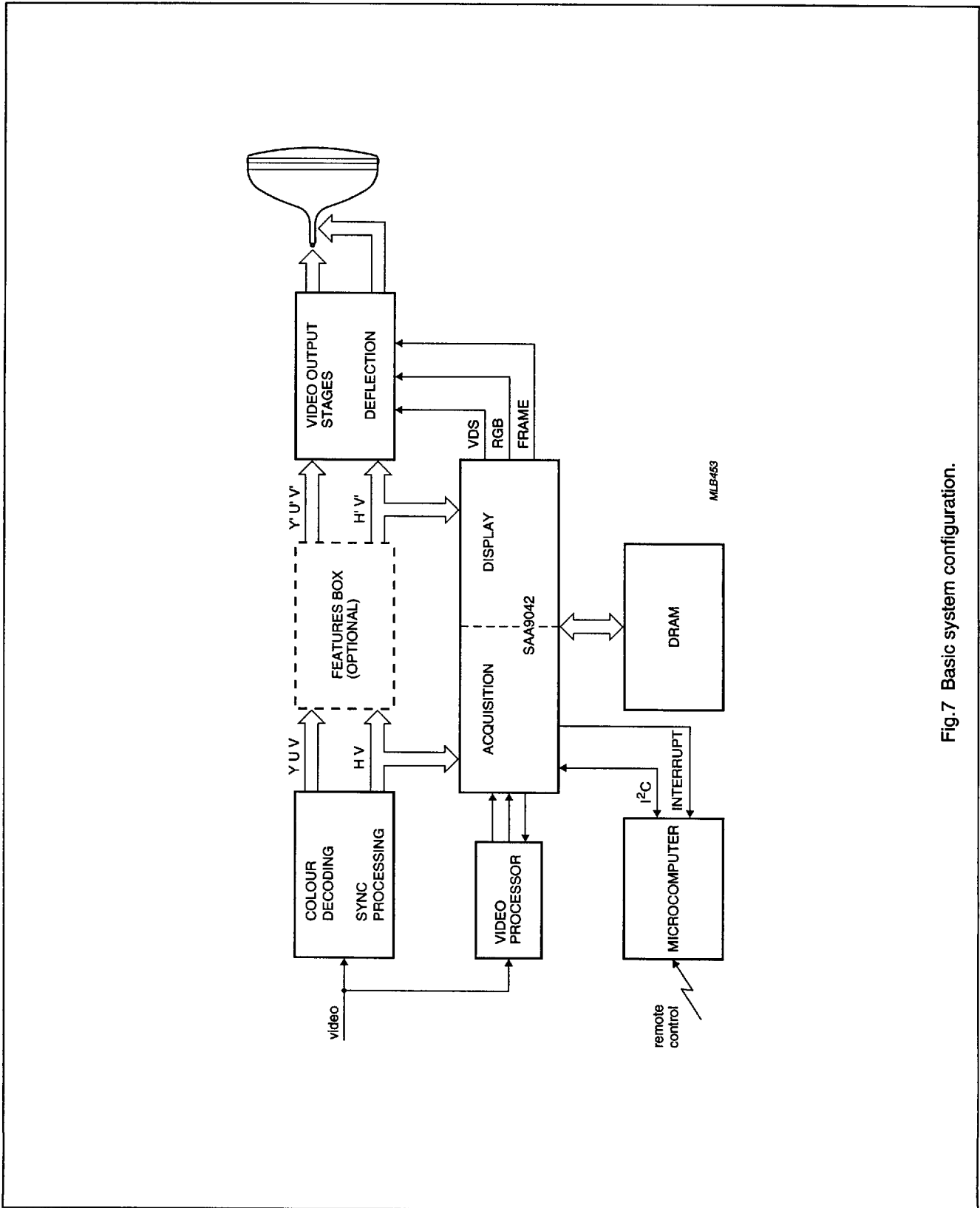


Fig.7 Basic system configuration.

Multi-standard Teletext IC for standard and features TV

SAA9042

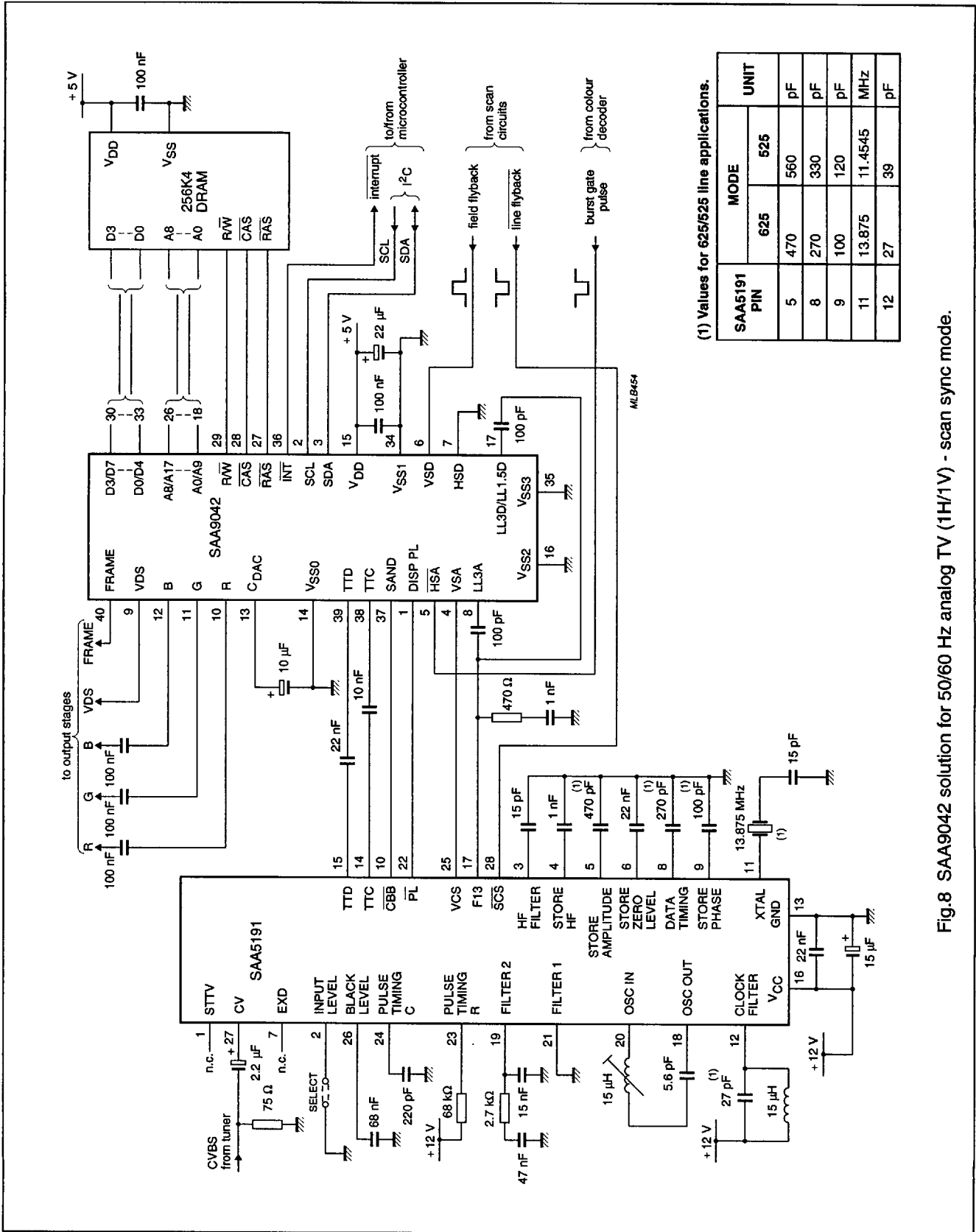


Fig.8 SAA9042 solution for 50/60 Hz analog TV (1H/1V) - scan sync mode.

Multi-standard Teletext IC for standard and features TV

SAA9042

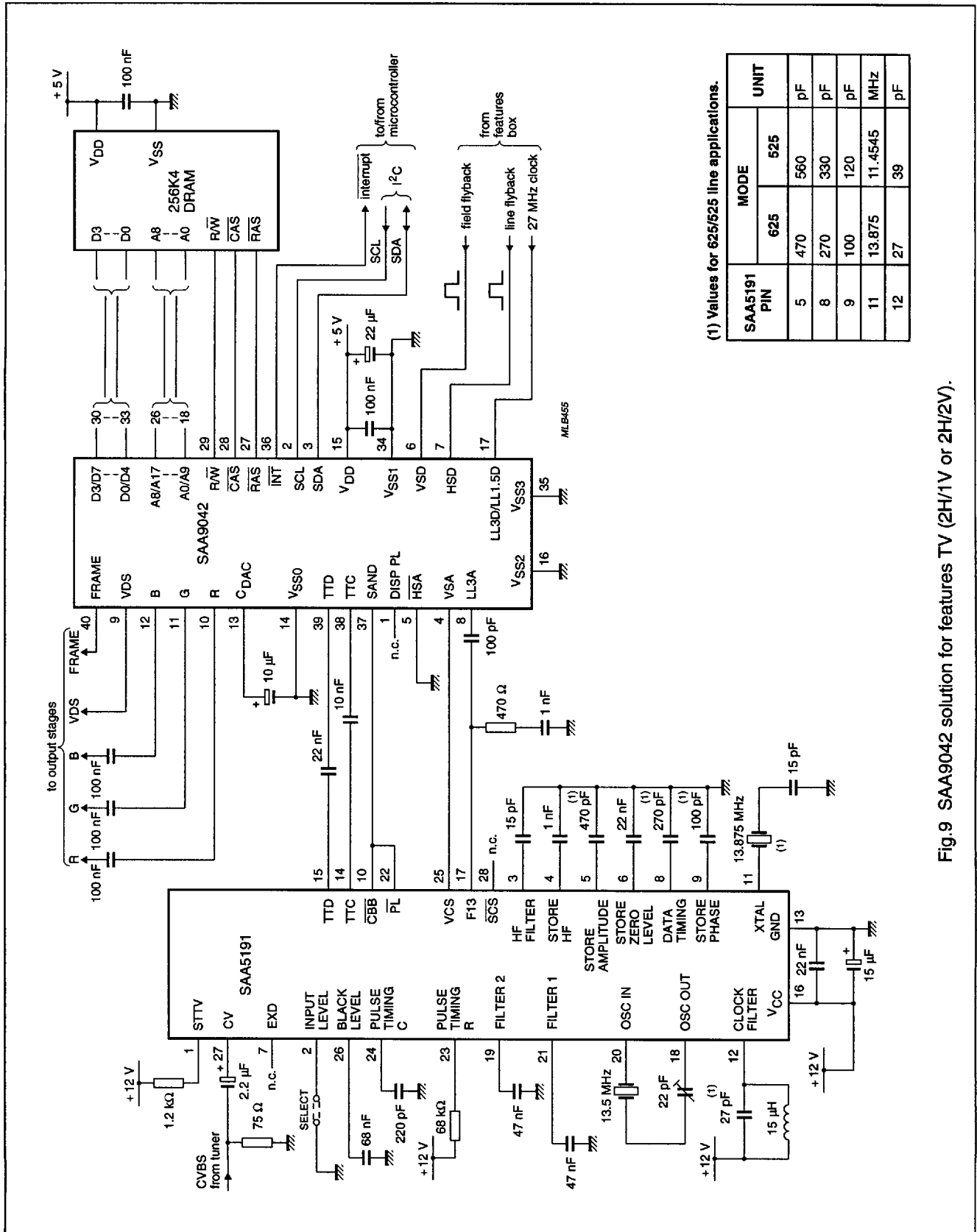
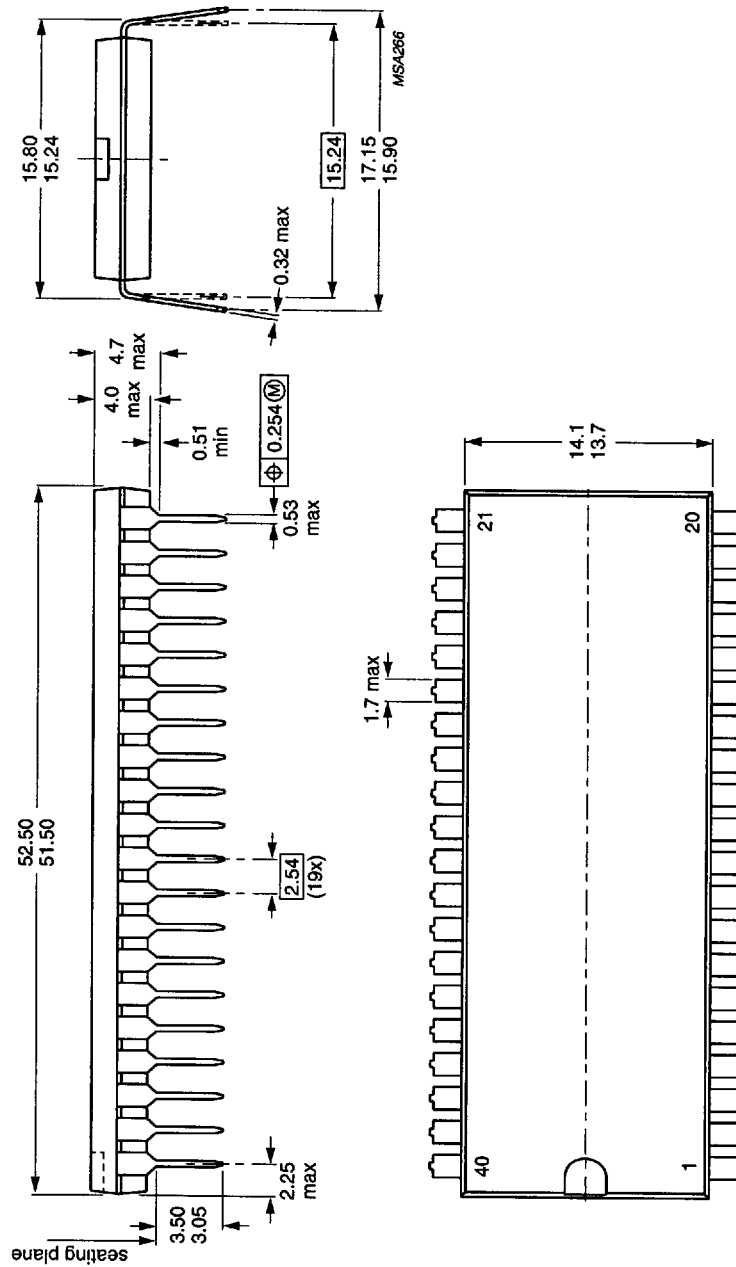


Fig. 9 SAA9042 solution for features TV (2H/1V or 2H/2V).

Multi-standard Teletext IC for standard and features TV

SAA9042

PACKAGE OUTLINE



Dimensions in mm.

Fig.11 40-lead dual in-line; plastic (SOT129).

Multi-standard Teletext IC for standard and features TV

SAA9042

SOLDERING

Plastic dual in-line packages

BY DIP OR WAVE

The maximum permissible temperature of the solder is 260 °C; this temperature must not be in contact with the joint for more than 5 s. The total contact time of successive solder waves must not exceed 5 s.

The device may be mounted up to the seating plane, but the temperature of the plastic body must not exceed the specified storage maximum. If the printed-circuit board has been pre-heated, forced cooling may be necessary immediately after soldering to keep the temperature within the permissible limit.

REPAIRING SOLDERED JOINTS

Apply a low voltage soldering iron below the seating plane (or not more than 2 mm above it). If its temperature is below 300 °C, it must not be in contact for more than 10 s; if between 300 and 400 °C, for not more than 5 s.

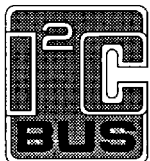
DEFINITIONS

Data sheet status	
Objective specification	This data sheet contains target or goal specifications for product development.
Preliminary specification	This data sheet contains preliminary data; supplementary data may be published later.
Product specification	This data sheet contains final product specifications.
Limiting values	
Limiting values given are in accordance with the Absolute Maximum Rating System (IEC 134). Stress above one or more of the limiting values may cause permanent damage to the device. These are stress ratings only and operation of the device at these or at any other conditions above those given in the Characteristics sections of the specification is not implied. Exposure to limiting values for extended periods may affect device reliability.	
Application information	
Where application information is given, it is advisory and does not form part of the specification.	

LIFE SUPPORT APPLICATIONS

These products are not designed for use in life support appliances, devices, or systems where malfunction of these products can reasonably be expected to result in personal injury. Philips customers using or selling these products for use in such applications do so at their own risk and agree to fully indemnify Philips for any damages resulting from such improper use or sale.

PURCHASE OF PHILIPS I²C COMPONENTS



Purchase of Philips I²C components conveys a license under the Philips' I²C patent to use the components in the I²C system provided the system conforms to the I²C specification defined by Philips. This specification can be ordered using the code 9398 393 40011.