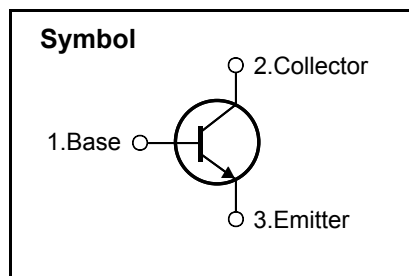


**High Voltage Fast-Switching NPN Power Transistor**

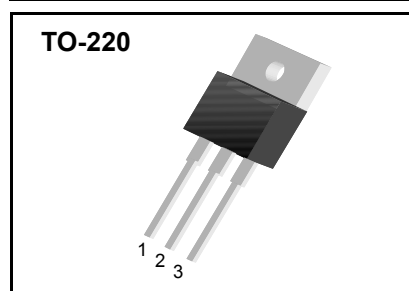
**Features**

- Very High Switching Speed (Typical 60ns@5.0A)
- Minimum Lot-to-Lot hFE Variation
- Low VCE(sat) (Typical 390mV@5.0A/1.0A)
- Wide Reverse Bias S.O.A



**General Description**

This device is designed for high voltage, high speed switching characteristic required such as lighting system, switching mode power supply.



**Absolute Maximum Ratings**

Symbol	Parameter	Value	Units
$V_{CES}$	Collector-Emitter Voltage ( $V_{BE} = 0$ )	700	V
$V_{CEO}$	Collector-Emitter Voltage ( $I_B = 0$ )	400	V
$V_{EBO}$	Emitter-Base Voltage ( $I_C = 0$ )	9.0	V
$I_C$	Collector Current	8.0	A
$I_{CM}$	Collector Peak Current ( $t_p < 5\text{ ms}$ )	16	A
$I_B$	Base Current	4.0	A
$I_{BM}$	Base Peak Current ( $t_p < 5\text{ ms}$ )	8.0	A
$P_C$	Total Dissipation at $T_C = 25\text{ }^\circ\text{C}$	80	W
$T_{STG}$	Storage Temperature	- 65 ~ 150	$^\circ\text{C}$
$T_J$	Max. Operating Junction Temperature	150	$^\circ\text{C}$

**Thermal Characteristics**

Symbol	Parameter	Value	Units
$R_{\theta JC}$	Thermal Resistance, Junction-to-Case	1.56	$^\circ\text{C/W}$
$R_{\theta JA}$	Thermal Resistance, Junction-to-Ambient	62.5	$^\circ\text{C/W}$

# SBP13007A

## Electrical Characteristics ( $T_C = 25\text{ }^\circ\text{C}$ unless otherwise noted )

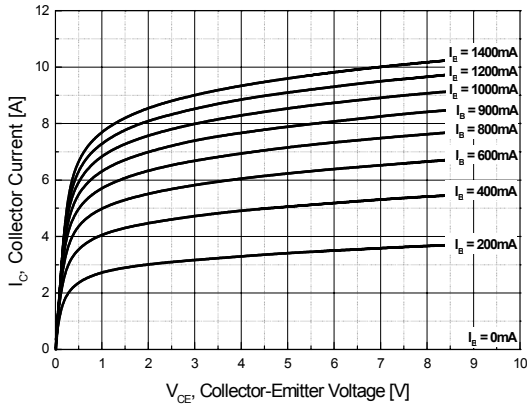
Symbol	Parameter	Condition	Min	Typ	Max	Units
$I_{CEV}$	Collector Cut-off Current ( $V_{BE} = -1.5V$ )	$V_{CE} = 700V$ $V_{CE} = 700V$ $T_C = 100\text{ }^\circ\text{C}$	-	-	1.0 5.0	mA
$V_{CEO(sus)}$	Collector-Emitter Sustaining Voltage ( $I_B = 0$ )	$I_C = 10\text{ mA}$	400	-	-	V
$V_{CE(sat)}$	Collector-Emitter Saturation Voltage	$I_C = 2.0A$ $I_C = 5.0A$ $I_C = 8.0A$ $I_C = 5.0A$ $I_B = 0.4A$ $I_B = 1.0A$ $I_B = 2.0A$ $I_B = 1.0A$ $T_C = 100\text{ }^\circ\text{C}$	-	-	0.5 1.0 2.5 2.5	V
$V_{BE(sat)}$	Base-Emitter Saturation Voltage	$I_C = 2.0A$ $I_C = 5.0A$ $I_C = 5.0A$ $I_B = 0.4A$ $I_B = 1.0A$ $I_B = 1.0A$ $T_C = 100\text{ }^\circ\text{C}$	-	-	1.2 1.6 1.5	V
$h_{FE}$	DC Current Gain	$I_C = 2.0A$ $I_C = 5.0A$ $V_{CE} = 5V$ $V_{CE} = 5V$	10 5	-	40 40	
$t_s$ $t_f$	<b>Resistive Load</b> Storage Time Fall Time	$I_C = 5.0A$ $I_{B1} = 1.0A$ $T_P = 25\mu s$ $V_{CC} = 125V$ $I_{B2} = -1.0A$	-	1.5 0.17	3.0 0.4	$\mu s$
$t_s$ $t_f$	<b>Inductive Load</b> Storage Time Fall Time	$V_{CC} = 15V$ $I_{B1} = 1.0A$ $L_C = 0.35mH$ $I_C = 5.0A$ $I_{B2} = -2.5A$ $V_{clamp} = 300V$	-	0.8 0.06	2.0 0.12	$\mu s$
$t_s$ $t_f$	<b>Inductive Load</b> Storage Time Fall Time	$V_{CC} = 15V$ $I_{B1} = 1.0A$ $L_C = 0.35mH$ $I_C = 5.0A$ $I_{B2} = -2.5A$ $V_{clamp} = 300V$ $T_C = 100\text{ }^\circ\text{C}$	-	1.0 0.07	3.0 0.15	$\mu s$

### ※ Notes :

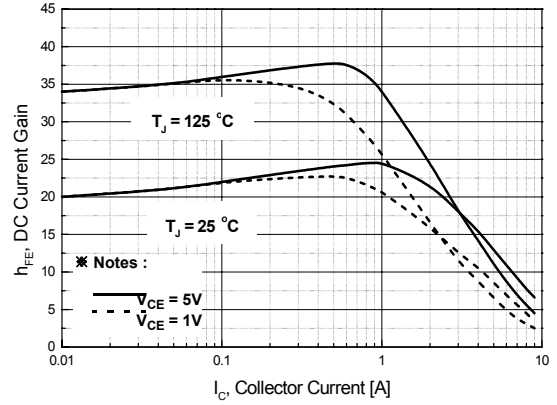
Pulse Test : Pulse width  $\leq 300\mu s$ , Duty cycle  $\leq 2\%$



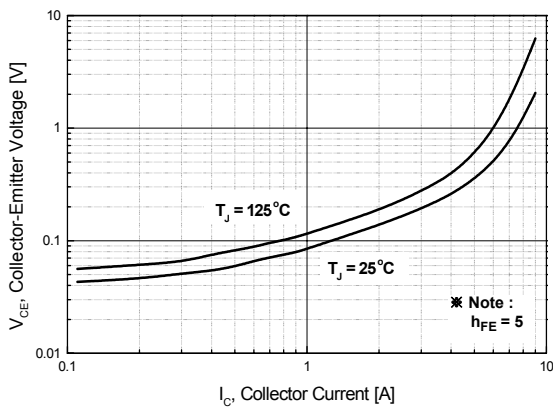
**Fig 1. Static Characteristics**



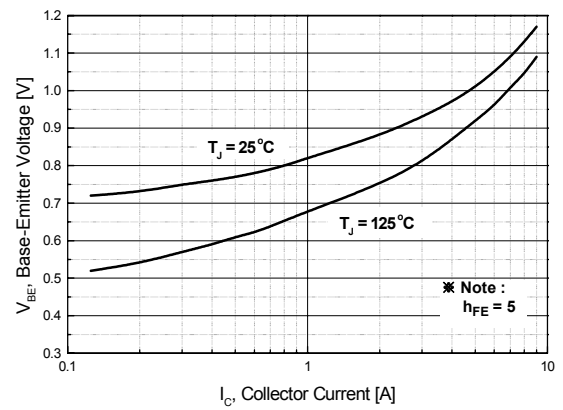
**Fig 2. DC Current Gain**



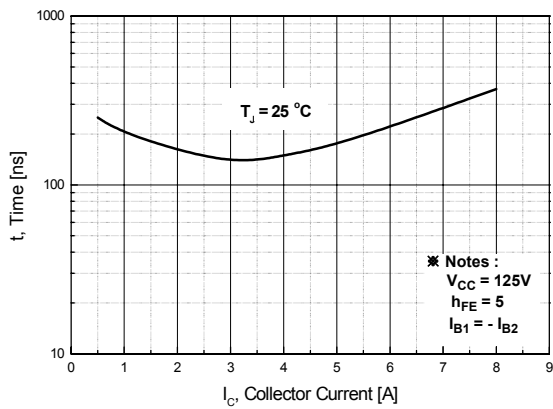
**Fig 3. Collector-Emitter Saturation Voltage**



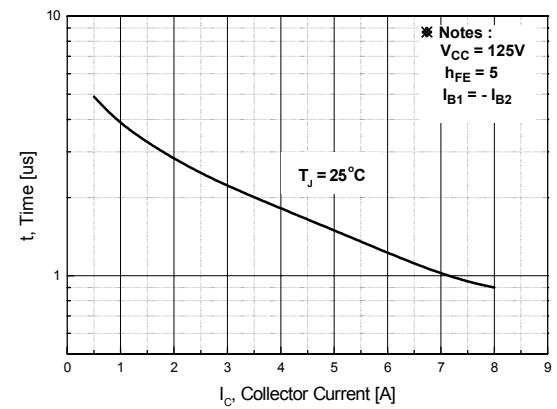
**Fig 4. Base-Emitter Saturation Voltage**



**Fig 5. Resistive Load Fall Time**



**Fig 6. Resistive Load Storage Time**



# SBP13007A

Fig 7. Safe Operation Areas

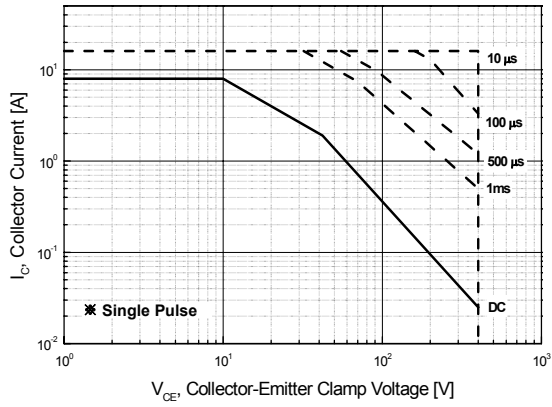


Fig 8. Reverse Biased Safe Operation Areas

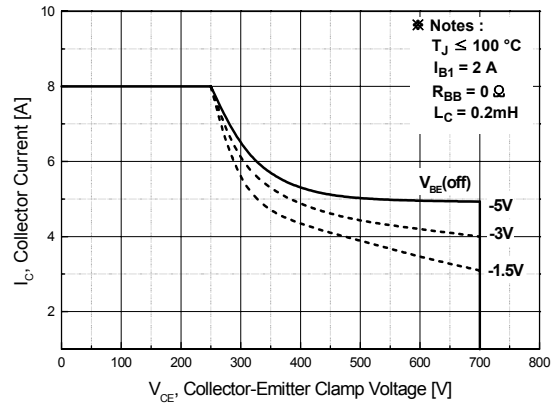
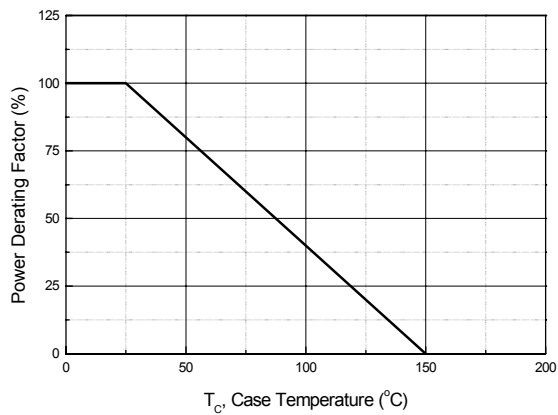
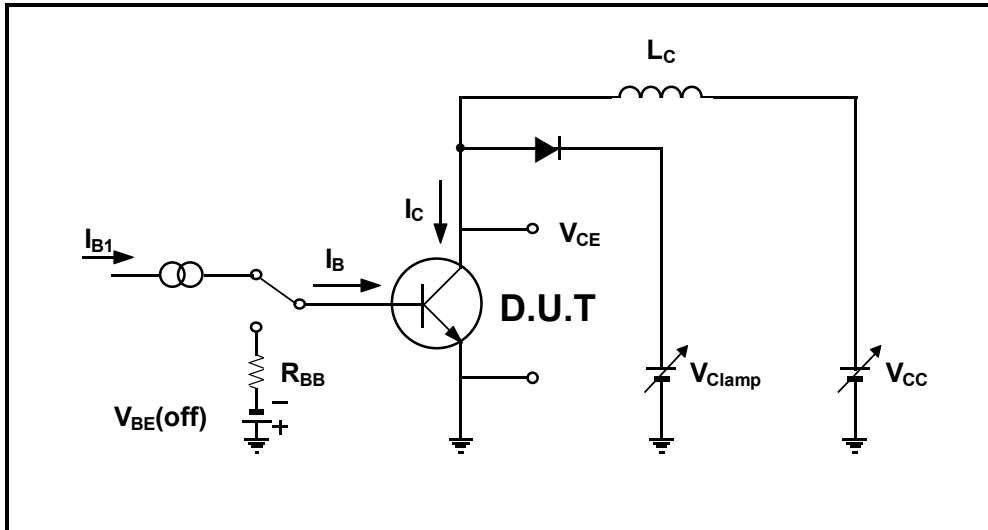


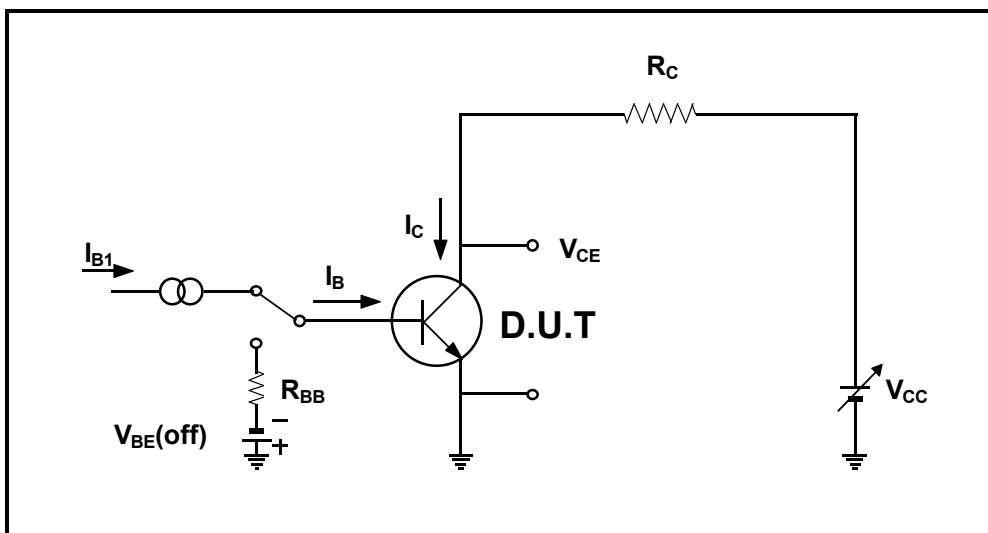
Fig 9. Power Derating Curve



## Inductive Load Switching & RBSOA Test Circuit



## Resistive Load Switching Test Circuit



# SBP13007A

## TO-220 Package Dimension

Dim.	mm			Inch		
	Min.	Typ.	Max.	Min.	Typ.	Max.
A	10.01		10.31	0.394		0.406
B	2.59		2.89	0.102		0.114
C	12.06		12.46	0.475		0.491
D	13.4		13.8	0.528		0.543
E	3.56		3.96	0.14		0.156
F		2.54			0.1	
G	4.98		5.18	0.196		0.204
H	3.16		3.3	0.124		0.13
I	1.17		1.37	0.046		0.054
J	2.52		2.82	0.099		0.111
K	0.31		0.53	0.012		0.021
L	1.17		1.37	0.046		0.054
M	0.71		0.91	0.028		0.036
$\phi$		3.84			0.151	

