

September 5, 2000

TEL:805-498-2111 FAX:805-498-3804 WEB:http://www.semtech.com

DESCRIPTION

The SC1102 is a low-cost, full featured, synchronous voltage-mode controller designed for use in single ended power supply applications where efficiency is of primary concern. Synchronous operation allows for the elimination of heat sinks in many applications. The SC1102 is ideal for implementing DC/DC converters needed to power advanced microprocessors in low cost systems, or in distributed power applications where efficiency is important. Internal level-shift, high-side drive circuitry, and preset shoot-thru control, allows the use of inexpensive N-channel power switches.

SC1102 features include temperature compensated voltage reference, triangle wave oscillator and current sense comparator circuitry. Power good signaling, shutdown, and over voltage protection are also provided.

The SC1102 operates at a fixed 200kHz, providing an optimum compromise between efficiency, external component size, and cost.

FEATURES

- 1.265V Reference available
- Synchronous operation
- Over current fault monitor
- On-chip power good and OVP functions
- Small size with minimum external components
- Soft Start
- $R_{DS(ON)}$ Current sensing

APPLICATIONS

- Microprocessor core supply
- Low cost synchronous applications
- Voltage Regulator Modules (VRM)

ORDERING INFORMATION

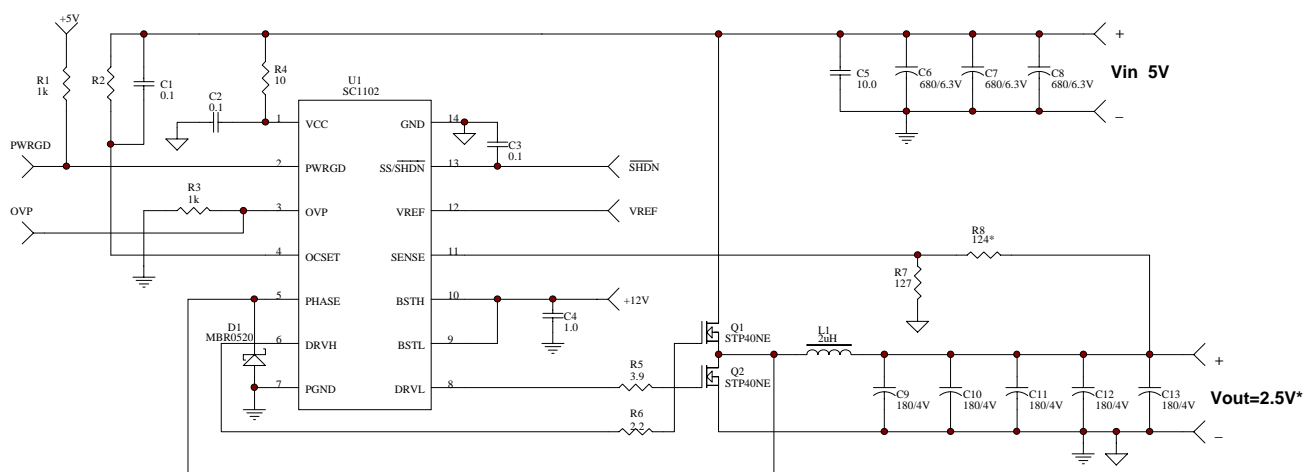
DEVICE ⁽¹⁾	PACKAGE	TEMP. RANGE (T _J)
SC1102CSTR	SO-14	0 - 125°C
SC1102EVB	Evaluation Board	

Note:

(1) Only available in tape and reel packaging. A reel contains 2500 devices.

APPLICATION CIRCUIT

Typical Distributed Power Supply



NOTE:

*) $V_{out} = 1.265 \times (1 + R8/R7)$

Figure 1.

September 5, 2000

ABSOLUTE MAXIMUM RATINGS

Parameter	Symbol	Maximum	Units
V _{CC} , BSTL to GND	V _{IN}	-0.3 to 14	V
PGND to GND		± 0.5	V
PHASE to GND		-0.3 to 18	V
BSTH to PHASE		14	V
Thermal Resistance Junction to Case	θ _{JC}	45	°C/W
Thermal Resistance Junction to Ambient	θ _{JA}	115	°C/W
Operating Temperature Range	T _A	0 to 70	°C
Storage Temperature Range	T _{STG}	-65 to +150	°C
Lead Temperature (Soldering) 10 sec	T _{LEAD}	300	°C
ESD Rating (Human Body Model)	ESD	2	kV

ELECTRICAL CHARACTERISTICS

 Unless specified: V_{CC} = 4.75V to 12.6V; GND = PGND = 0V; FB = V_O; V_{BSTL} = 12V; V_{BSTH-PHASE} = 12V; T_J = 25°C

PARAMETER	CONDITIONS	MIN	TYP	MAX	UNITS
POWER SUPPLY					
Supply Voltage	V _{CC}	4.2		12.6	V
Supply Current	EN = V _{CC}		6	10	mA
Line Regulation	V _O = 2.5V		0.5		%
ERROR AMPLIFIER					
Gain (AOL)			35		dB
Input Bias			5	8	µA
OSCILLATOR					
Oscillator Frequency		180	200	220	kHz
Oscillator Max Duty Cycle		90	95		%
MOSFET DRIVERS					
DH Source/Sink Current	BST _H - DH = 4.5V / DH - PHASE = 2V	1			A
DL Source/Sink Current	BST _L - DL = 4.5V / DL - PGND _L = 2V	1			A
PROTECTION					
OVP Threshold Voltage			20		%
OVP Source Current	V _{OVP} = 3V	10			mA
Power Good Threshold		88		112	%
Dead Time		45		100	ns
Over Current Set Isource	2.0V ≤ V _{OCSET} ≤ 12V	180	200	220	µA

NOTE:

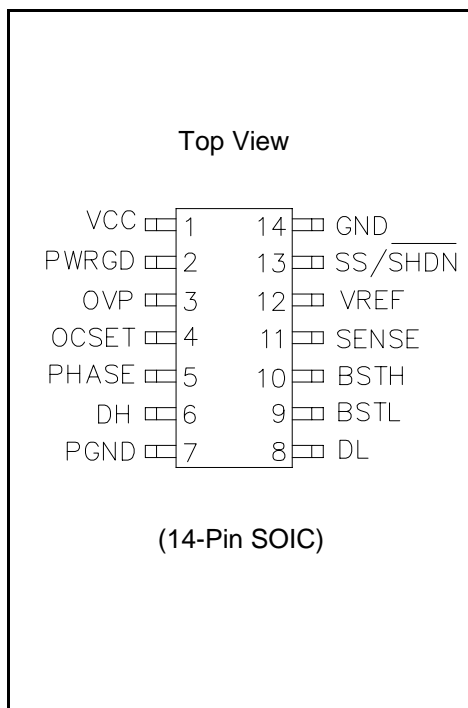
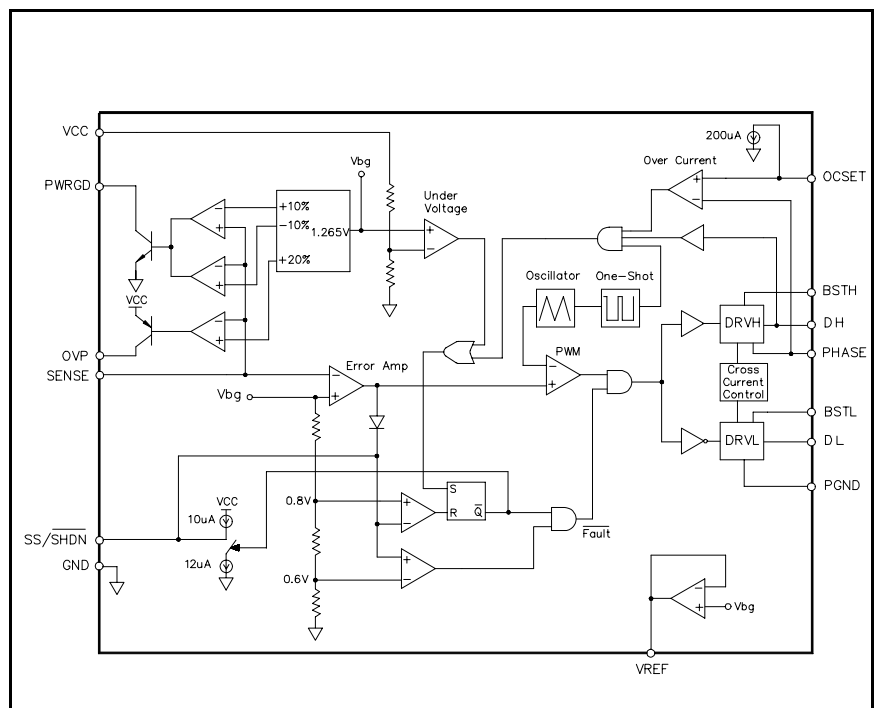
(1) Specification refers to application circuit (Figure 1).

September 5, 2000

ELECTRICAL CHARACTERISTICS (CONT)

 Unless specified: $V_{CC} = 4.75V$ to $12.6V$; $GND = PGND = 0V$; $FB = V_O$; $V_{BSTL} = 12V$; $V_{BSTH-PHASE} = 12V$; $T_J = 25^\circ C$

PARAMETER	CONDITIONS	MIN	TYP	MAX	UNITS
REFERENCE					
Reference Voltage		1.252	1.265	1.278	V
Accuracy		-1		+1	%
SOFT START					
Charge Current	$V_{SS} = 1.5V$	8.0	10	12	μA
Discharge Current	$V_{SS} = 1.5V$	1.3	2	2.4	μA

PIN CONFIGURATION

BLOCK DIAGRAM


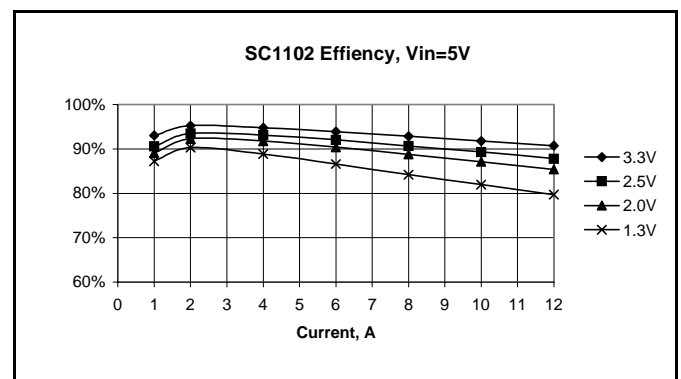
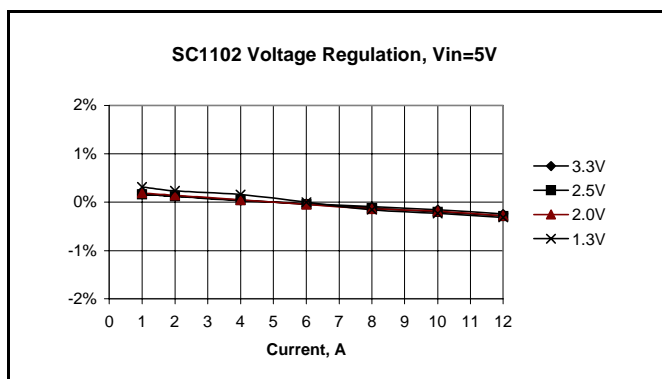
September 5, 2000

PIN DESCRIPTION

Pin #	Pin Name	Pin Function
1	VCC	Chip supply voltage
2	PWRGD	Logic high indicates correct output voltage
3	OVP	Over voltage protection.
4	OCSET	Sets the converter overcurrent trip point
5	PHASE	Input from the phase node between the MOSFET'S
6	DH	High side driver output
7	PGND	Power ground
8	DL	Low side driver output
9	BSTL	Bootstrap, low side driver.
10	BSTH	Bootstrap, high side driver.
11	SENSE	Voltage sense input
12	VREF	Buffered band gap voltage reference.
13	SS/ $\overline{\text{SHDN}}$	Soft start. A capacitor to ground sets the slow start time.
14	GND	Signal ground

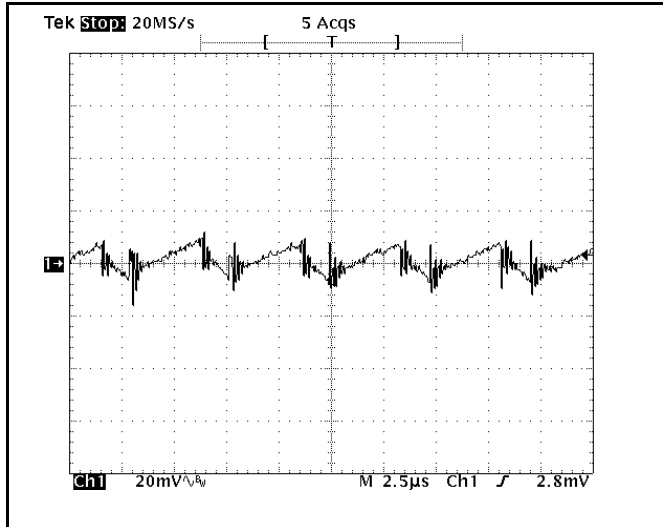
NOTE:

(1) All logic level inputs and outputs are open collector TTL compatible.

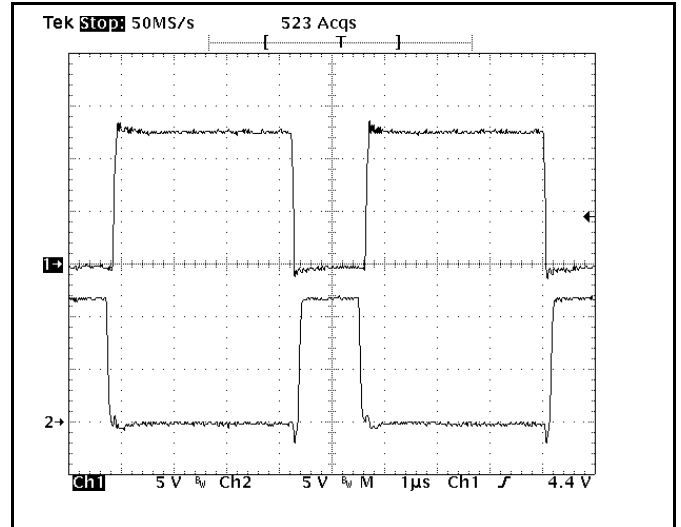
CHARACTERISTIC CURVES


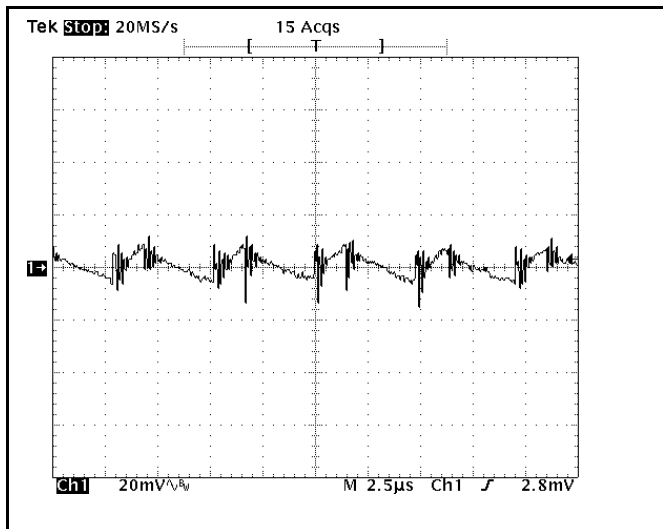
September 5, 2000

Output Ripple Voltage

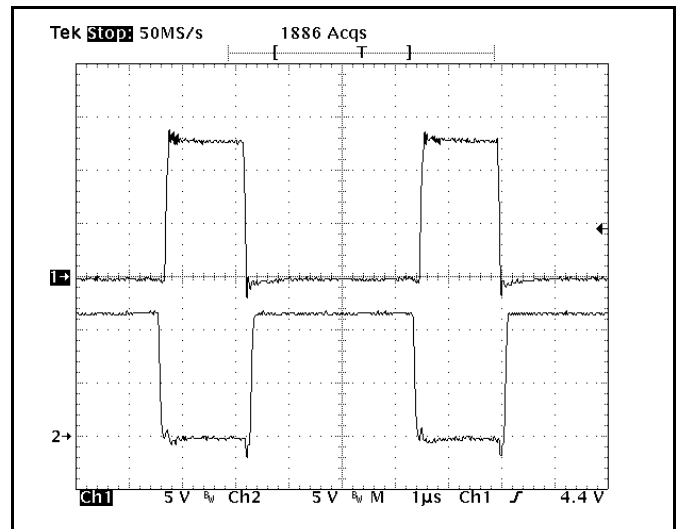
 1. $V_{IN} = 5V$; $V_O = 3.3V$; $I_{OUT} = 12A$


Ch1: Vo_rpl

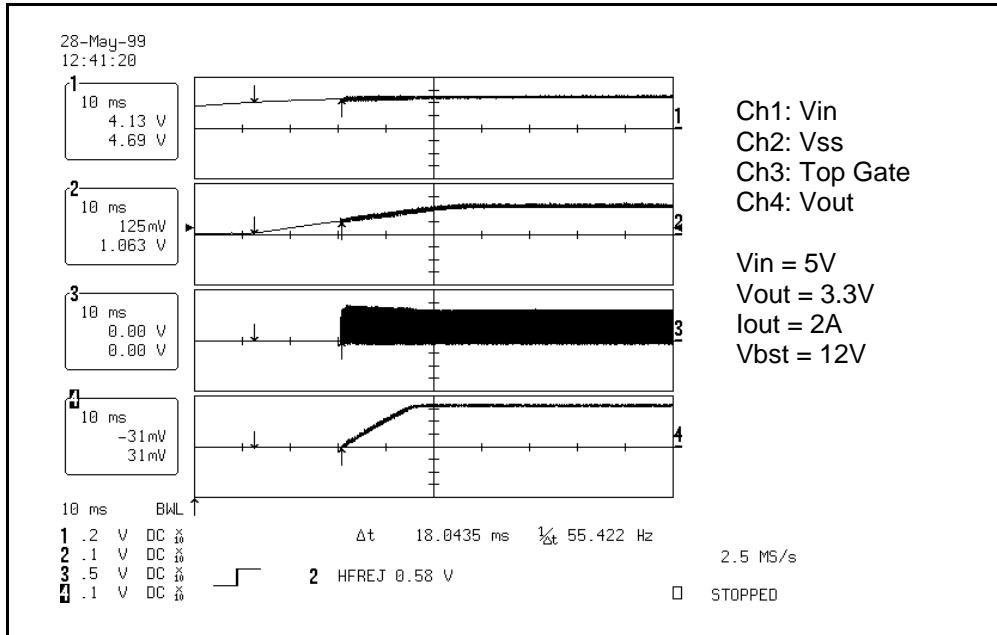
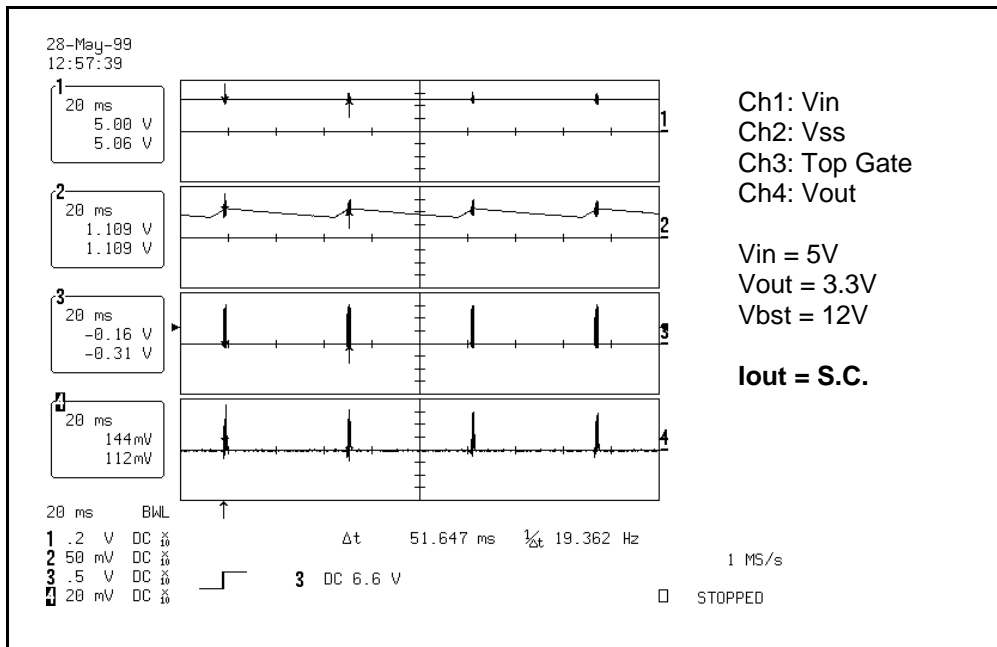
Gate Drive Waveforms

 Ch1: Top FET
 Ch2: Bottom FET

 2. $V_{IN} = 5V$; $V_{OUT} = 1.3V$; $I_{OUT} = 12A$


Ch1: Vo_rpl


 Ch1: Top FET
 Ch2: Bottom FET

September 5, 2000

Start Up

Hiccup Mode


September 5, 2000

THEORY OF OPERATION

Synchronous Buck Converter

Primary V_{CORE} power is provided by a synchronous, voltage-mode pulse width modulated (PWM) controller. This section has all the features required to build a high efficiency synchronous buck converter, including "Power Good" flag, shut-down, and cycle-by-cycle current limit.

The output voltage of the synchronous converter is set and controlled by the output of the error amplifier. The external resistive divider reference voltage is derived from an internal trimmed-bandgap voltage reference (See Fig. 1). The inverting input of the error amplifier receives its voltage from the SENSE pin.

The internal oscillator uses an on-chip capacitor and trimmed precision current sources to set the oscillation frequency to 200kHz. The triangular output of the oscillator sets the reference voltage at the inverting input of the comparator. The non-inverting input of the comparator receives its input voltage from the error amplifier. When the oscillator output voltage drops below the error amplifier output voltage, the comparator output goes high. This pulls DL low, turning off the low-side FET, and DH is pulled high, turning on the high-side FET (once the cross-current control allows it). When the oscillator voltage rises back above the error amplifier output voltage, the comparator output goes low. This pulls DH low, turning off the high-side FET, and DL is pulled high, turning on the low-side FET (once the cross-current control allows it).

As SENSE increases, the output voltage of the error amplifier decreases. This causes a reduction in the on-time of the high-side MOSFET connected to DH, hence lowering the output voltage.

Under Voltage Lockout

The under voltage lockout circuit of the SC1102 assures that the high-side MOSFET driver outputs remain in the off state whenever the supply voltage drops below set parameters. Lockout occurs if V_{CC} falls below 4.1V. Normal operation resumes once V_{CC} rises above 4.2V.

Over-Voltage Protection

The over-voltage protection pin (OVP) is high only when the voltage at SENSE is 20% higher than the target value programmed by the external resistor divider. The OVP pin is internally connected to a PNP's collector.

Power Good

The power good function is to confirm that the regulator outputs are within +/-10% of the programmed level. PWRGD remains high as long as this condition is met. PWRGD is connected to an internal open collector NPN transistor.

Soft Start

Initially, SS/SHDN sources 10 μ A of current to charge an external capacitor. The outputs of the error amplifiers are clamped to a voltage proportional to the voltage on SS/SHDN. This limits the on-time of the high-side MOSFETs, thus leading to a controlled ramp-up of the output voltages.

$R_{DS(ON)}$ Current Limiting

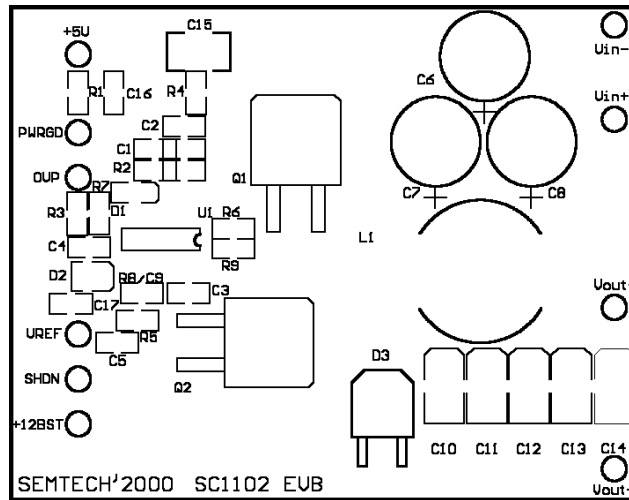
The current limit threshold is set by connecting an external resistor from the V_{CC} supply to OCSET. The voltage drop across this resistor is due to the 200 μ A internal sink sets the voltage at the pin. This voltage is compared to the voltage at the PHASE node. This comparison is made only when the high-side drive is high to avoid false current limit triggering due to un-contributing measurements from the MOSFET's off-voltage. When the voltage at PHASE is less than the voltage at OCSET, an overcurrent condition occurs and the soft start cycle is initiated. The synchronous switcher turns off and SS/SHDN starts to sink 2 μ A. When SS/SHDN reaches 0.8V, it then starts to source 10 μ A and a new cycle begins.

Hiccup Mode

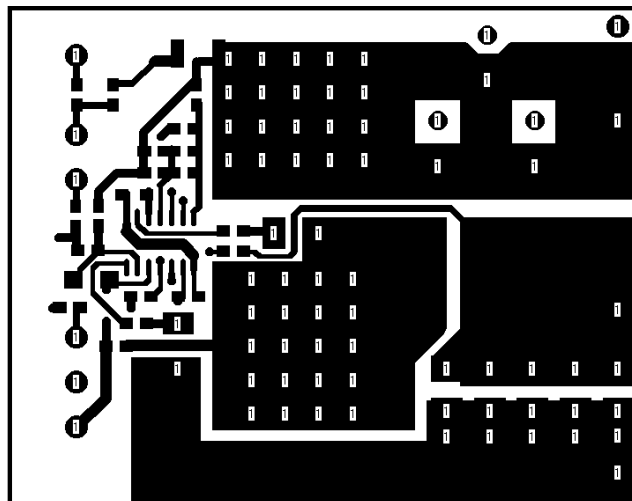
During power up, the SS/SHDN pin is internally pulled low until V_{CC} reaches the undervoltage lock-out level of 4.2V. Once V_{CC} has reached 4.2V, the SS/SHDN pin is released and begins to source 10 μ A of current to the external soft-start capacitor. As the soft-start voltage rises, the output of the internal error amplifier is clamped to this voltage. When the error signal reaches the level of the internal triangular oscillator, which swings from 1V to 2V at a fixed frequency of 200 kHz, switching occurs. As the error signal crosses over the oscillator signal, the duty cycle of the PWM signal continues to increase until the output comes into regulation. If an over-current condition has not occurred the soft-start voltage will continue to rise and level off at about 2.2V.

September 5, 2000

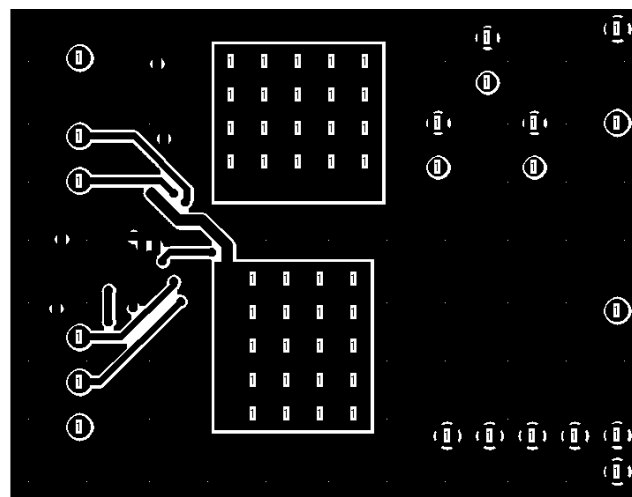
Top component side view



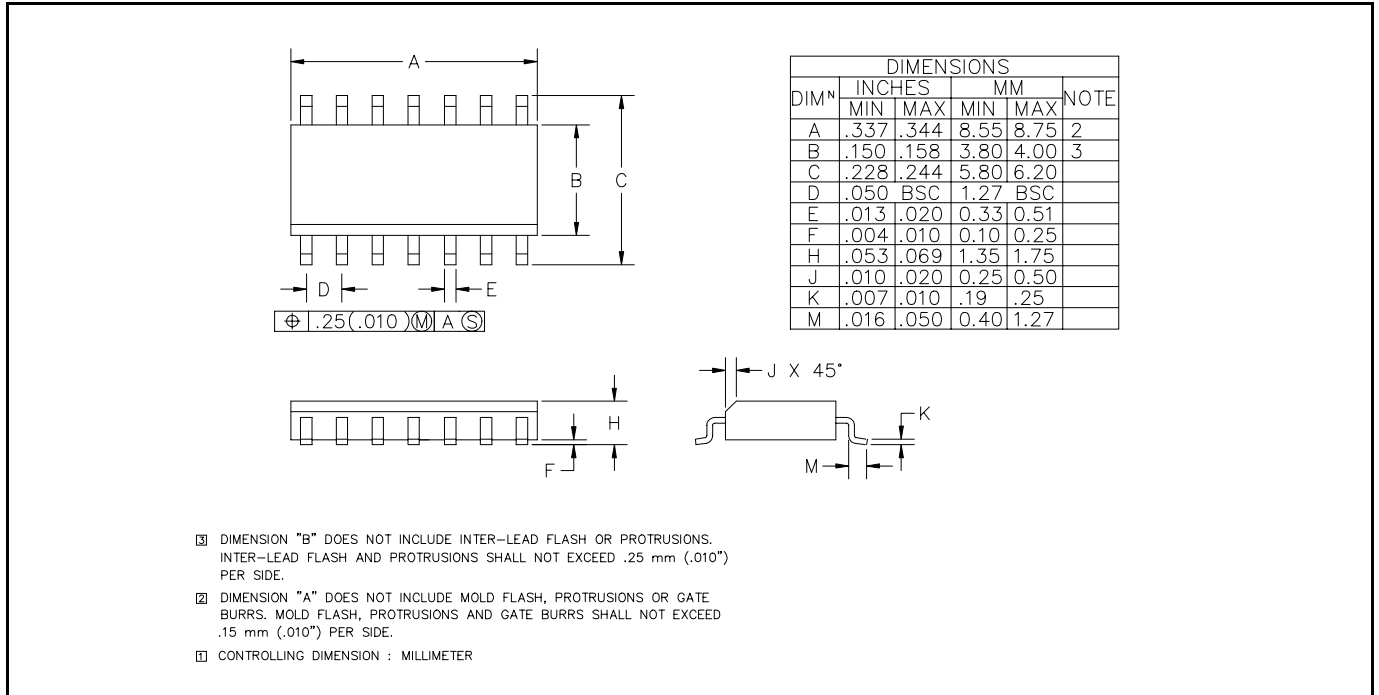
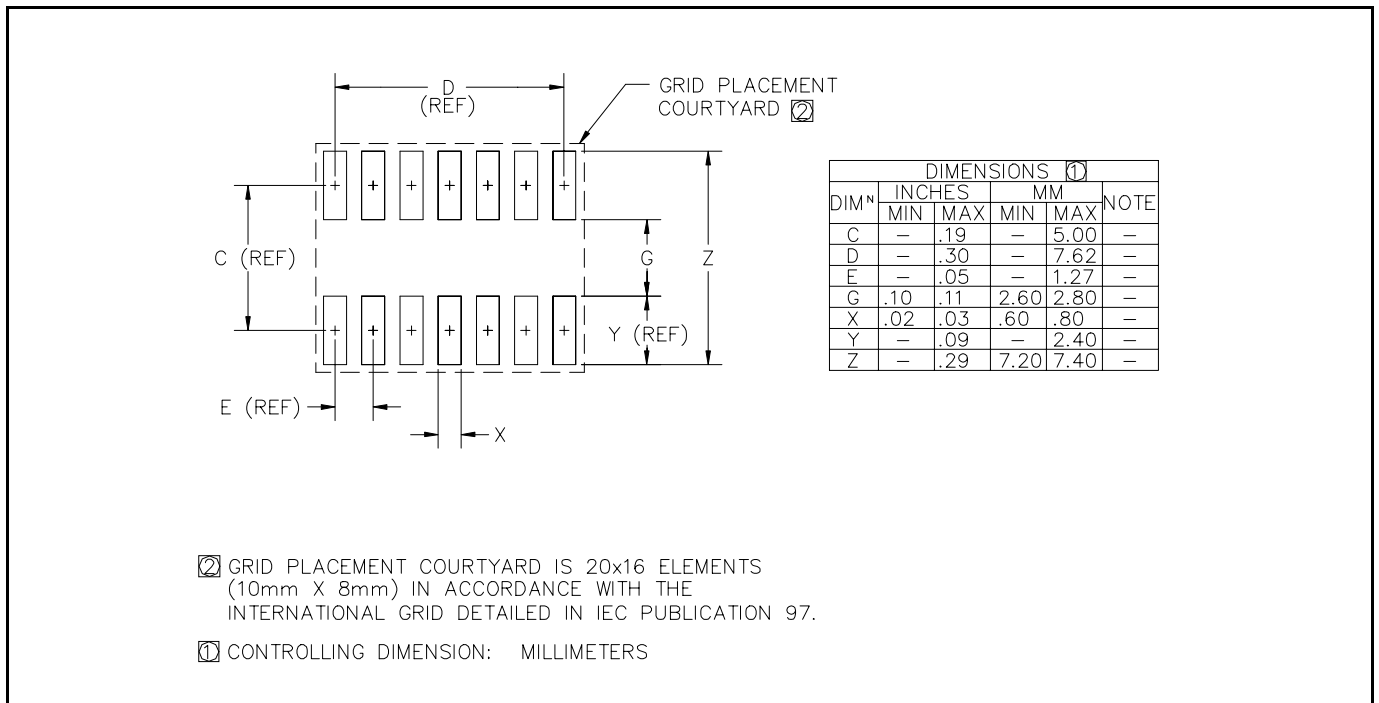
Top copper view



Bottom copper view



September 5, 2000

OUTLINE DRAWING SO-14

LAND PATTERN SO-14


ECN00-1311