



SC16IS740/750/760

Single UART with I²C-bus/SPI interface, 64 bytes of transmit and receive FIFOs, IrDA SIR built-in support

Rev. 7 — 9 June 2011

Product data sheet

1. General description

The SC16IS740/750/760 is a slave I²C-bus/SPI interface to a single-channel high performance UART. It offers data rates up to 5 Mbit/s and guarantees low operating and sleeping current. The SC16IS750 and SC16IS760 also provide the application with 8 additional programmable I/O pins. The device comes in very small HVQFN24, TSSOP24 (SC16IS750/760) and TSSOP16 (SC16IS740) packages, which makes it ideally suitable for handheld, battery operated applications. This family of products enables seamless protocol conversion from I²C-bus or SPI to and RS-232/RS-485 and are fully bidirectional.

The SC16IS760 differs from the SC16IS750 in that it supports SPI clock speeds up to 15 Mbit/s instead of the 4 Mbit/s supported by the SC16IS750, and in that it supports IrDA SIR up to 1.152 Mbit/s. In all other aspects, the SC16IS760 is functionally and electrically the same as the SC16IS750. The SC16IS740 is functionally and electrically identical to the SC16IS750, with the exception of the programmable I/O pins which are only present on the SC16IS750.

The SC16IS740/750/760's internal register set is backward-compatible with the widely used and widely popular 16C450. This allows the software to be easily written or ported from another platform.

The SC16IS740/750/760 also provides additional advanced features such as auto hardware and software flow control, automatic RS-485 support, and software reset. This allows the software to reset the UART at any moment, independent of the hardware reset signal.

2. Features and benefits

2.1 General features

- Single full-duplex UART
- Selectable I²C-bus or SPI interface
- 3.3 V or 2.5 V operation
- Industrial temperature range: -40 °C to +95 °C
- 64 bytes FIFO (transmitter and receiver)
- Fully compatible with industrial standard 16C450 and equivalent
- Baud rates up to 5 Mbit/s in 16× clock mode
- Auto hardware flow control using $\overline{\text{RTS}}/\overline{\text{CTS}}$
- Auto software flow control with programmable Xon/Xoff characters
- Single or double Xon/Xoff characters
- Automatic RS-485 support (automatic slave address detection)



- Up to eight programmable I/O pins (SC16IS750 and SC16IS760 only)
- RS-485 driver direction control via RTS signal
- RS-485 driver direction control inversion
- Built-in IrDA encoder and decoder interface
- SC16IS750 supports IrDA SIR with speeds up to 115.2 kbit/s
- SC16IS760 supports IrDA SIR with speeds up to 1.152 Mbit/s¹
- Software reset
- Transmitter and receiver can be enabled/disabled independent of each other
- Receive and Transmit FIFO levels
- Programmable special character detection
- Fully programmable character formatting
 - ◆ 5-bit, 6-bit, 7-bit or 8-bit character
 - ◆ Even, odd, or no parity
 - ◆ 1, 1¹/₂, or 2 stop bits
- Line break generation and detection
- Internal Loopback mode
- Sleep current less than 30 μ A at 3.3 V
- Industrial and commercial temperature ranges
- Available in HVQFN24, TSSOP24 (SC16IS750/760) and TSSOP16 (SC16IS740) packages

2.2 I²C-bus features

- Noise filter on SCL/SDA inputs
- 400 kbit/s maximum speed
- Compliant with I²C-bus fast speed
- Slave mode only

2.3 SPI features

- SC16IS750 supports 4 Mbit/s maximum SPI clock speed
- SC16IS760 supports 15 Mbit/s maximum SPI clock speed
- Slave mode only
- SPI Mode 0

3. Applications

- Factory automation and process control
- Portable and battery operated devices
- Cellular data devices

1. Please note that IrDA SIR at 1.152 Mbit/s is **not** compatible with IrDA MIR at that speed. Please refer to application notes for usage of IrDA SIR at 1.152 Mbit/s.

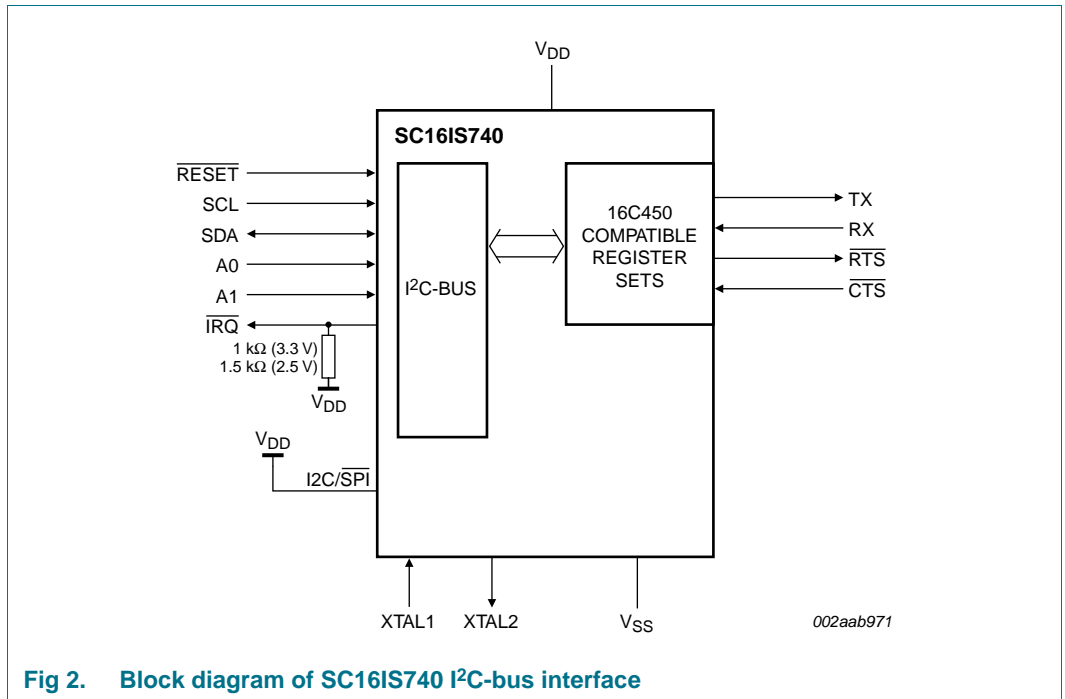
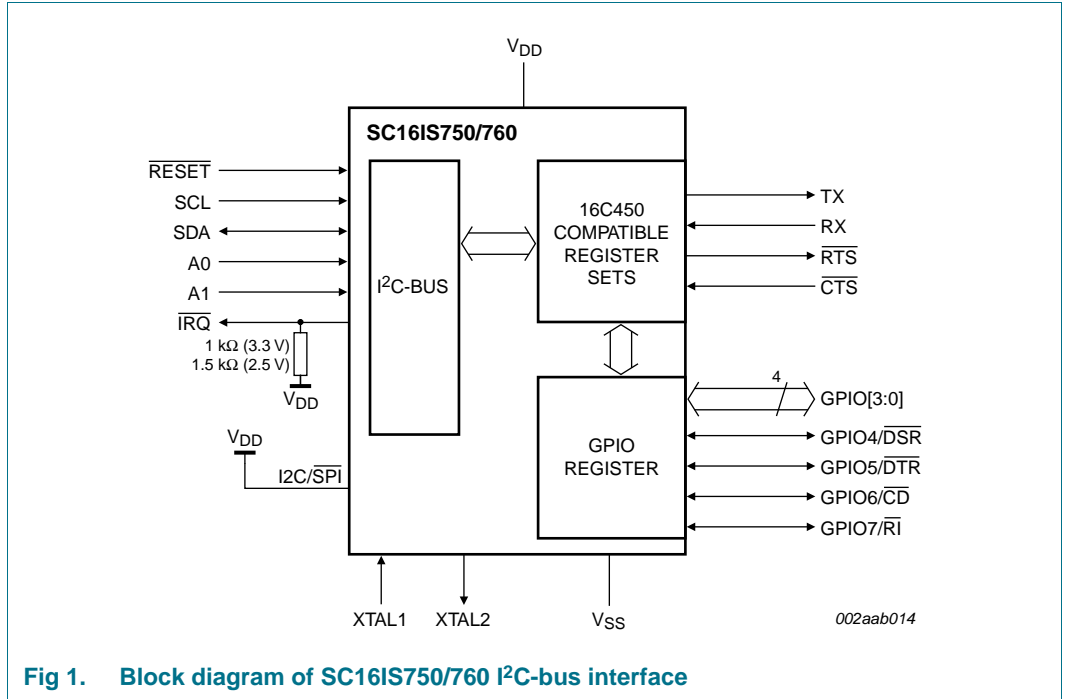
4. Ordering information

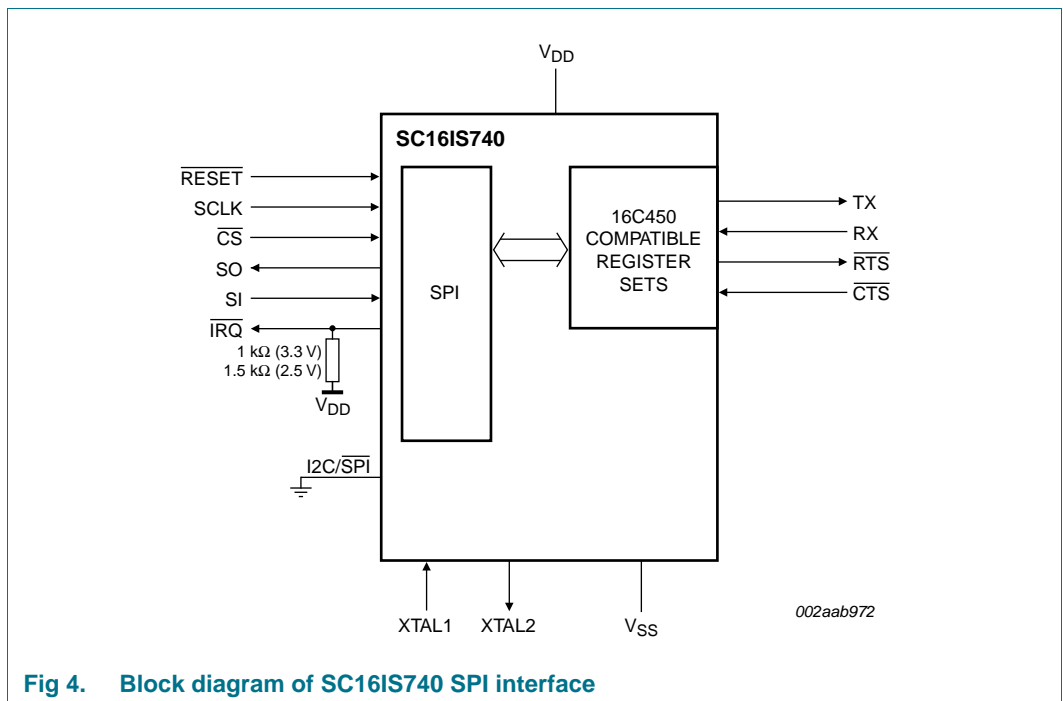
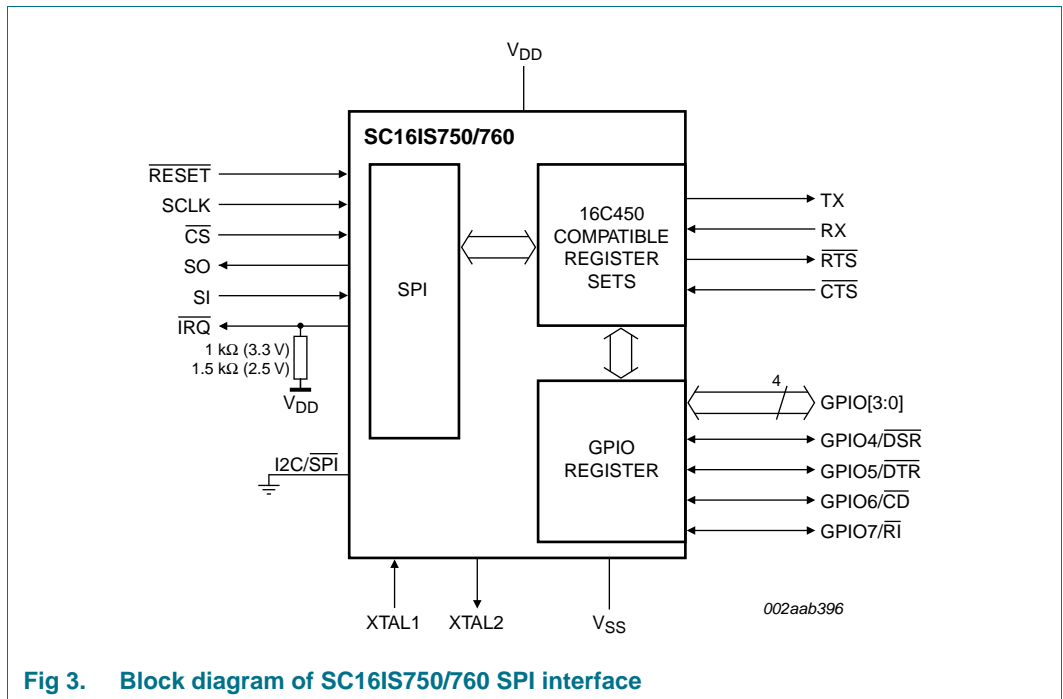
Table 1. Ordering information

| Type number | Package | | |
|----------------------------------|---------|--|----------|
| | Name | Description | Version |
| SC16IS740IPW | TSSOP16 | plastic thin shrink small outline package; 16 leads; body width 4.4 mm | SOT403-1 |
| SC16IS740IPW/Q900 ^[1] | TSSOP16 | plastic thin shrink small outline package; 16 leads; body width 4.4 mm | SOT403-1 |
| SC16IS750IBS | HVQFN24 | plastic thermal enhanced very thin quad flat package; no leads; 24 terminals; body 4 × 4 × 0.85 mm | SOT616-3 |
| SC16IS750IPW | TSSOP24 | plastic thin shrink small outline package; 24 leads; body width 4.4 mm | SOT355-1 |
| SC16IS760IBS | HVQFN24 | plastic thermal enhanced very thin quad flat package; no leads; 24 terminals; body 4 × 4 × 0.85 mm | SOT616-3 |
| SC16IS760IPW | TSSOP24 | plastic thin shrink small outline package; 24 leads; body width 4.4 mm | SOT355-1 |

[1] SC16IS740IPW/Q900 is AEC-Q100 compliant. Contact interface.support@nxp.com for PPAP.

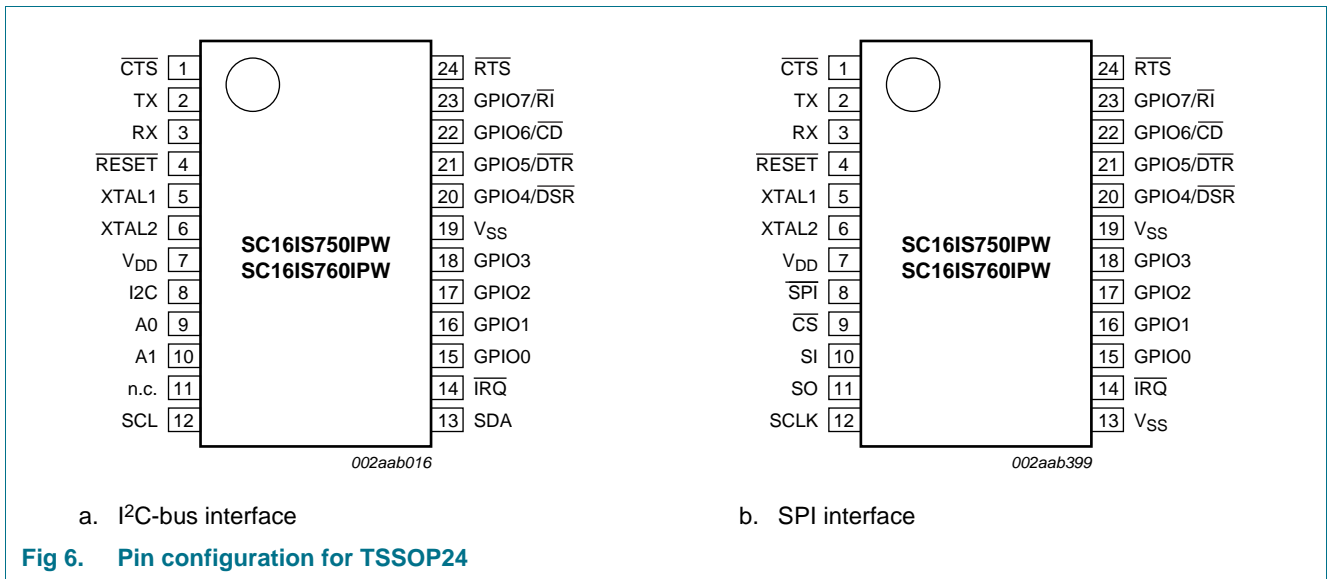
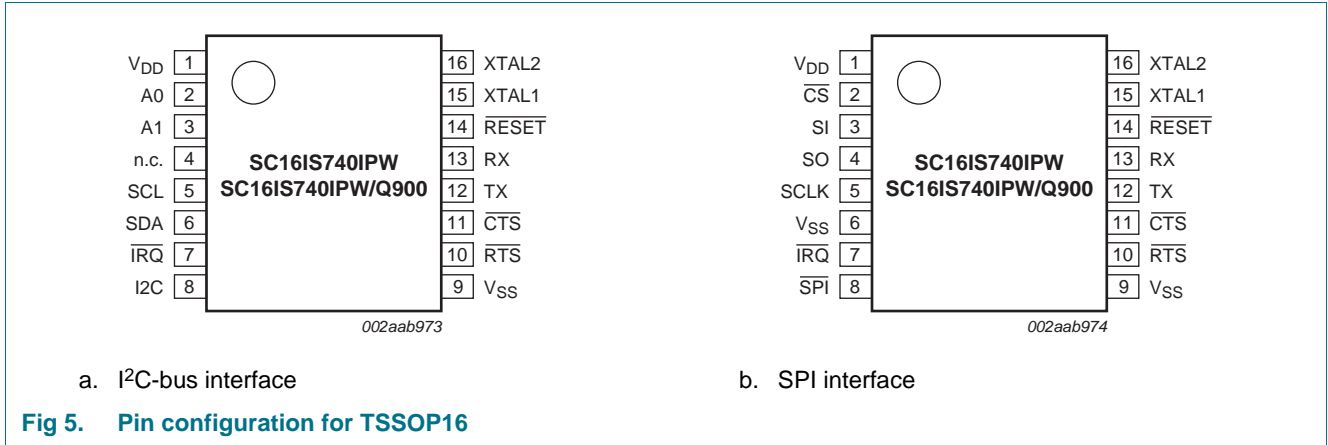
5. Block diagram

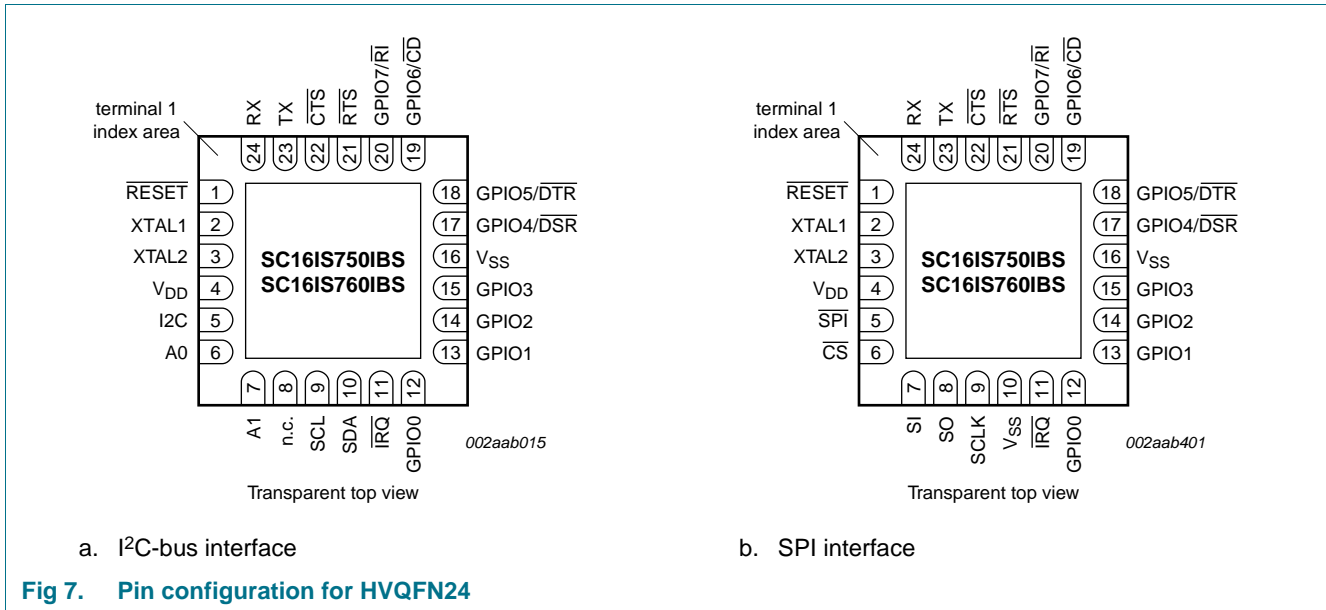




6. Pinning information

6.1 Pinning





6.2 Pin description

Table 2. Pin description

| Symbol | Pin | | | Type | Description |
|---------------------------|---------|---------|---------|------|--|
| | TSSOP16 | TSSOP24 | HVQFN24 | | |
| $\overline{\text{CTS}}$ | 11 | 1 | 22 | I | UART clear to send (active LOW). A logic 0 (LOW) on the $\overline{\text{CTS}}$ pin indicates the modem or data set is ready to accept transmit data from the SC16IS740/750/760. Status can be tested by reading MSR[4]. This pin only affects the transmit and receive operations when auto CTS function is enabled via the Enhanced Feature Register EFR[7] for hardware flow control operation. |
| TX | 12 | 2 | 23 | O | UART transmitter output. During the local Loopback mode, the TX output pin is disabled and TX data is internally connected to the UART RX input. |
| RX | 13 | 3 | 24 | I | UART receiver input. During the local Loopback mode, the RX input pin is disabled and TX data is connected to the UART RX input internally. |
| $\overline{\text{RESET}}$ | 14 | 4 | 1 | I | device hardware reset (active LOW) ^[1] |
| XTAL1 | 15 | 5 | 2 | I | Crystal input or external clock input. Functions as a crystal input or as an external clock input. A crystal can be connected between XTAL1 and XTAL2 to form an internal oscillator circuit (see Figure 16). Alternatively, an external clock can be connected to this pin. |
| XTAL2 | 16 | 6 | 3 | O | Crystal output or clock output. (See also XTAL1.) XTAL2 is used as a crystal oscillator output. |
| V _{DD} | 1 | 7 | 4 | - | power supply |
| I ² C/SPI | 8 | 8 | 5 | I | I ² C-bus or SPI interface select. I ² C-bus interface is selected if this pin is at logic HIGH. SPI interface is selected if this pin is at logic LOW. |

Table 2. Pin description ...continued

| Symbol | Pin | | | Type | Description |
|-----------------|---------|---------|---------------------------|------|--|
| | TSSOP16 | TSSOP24 | HVQFN24 | | |
| CS/A0 | 2 | 9 | 6 | I | SPI chip select or I ² C-bus device address select A0. If SPI configuration is selected by I ² C/SPI pin, this pin is the SPI chip select pin (Schmitt-trigger, active LOW). If I ² C-bus configuration is selected by I ² C/SPI pin, this pin along with A1 pin allows user to change the device's base address. |
| SI/A1 | 3 | 10 | 7 | I | SPI data input pin or I ² C-bus device address select A1. If SPI configuration is selected by I ² C/SPI pin, this is the SPI data input pin. If I ² C-bus configuration is selected by I ² C/SPI pin, this pin along with A0 pin allows user to change the device's base address. To select the device address, please refer to Table 32 . |
| SO | 4 | 11 | 8 | O | SPI data output pin. If SPI configuration is selected by I ² C/SPI pin, this is a 3-stateable output pin. If I ² C-bus configuration is selected by I ² C/SPI pin, this pin function is undefined and must be left as n.c. (not connected). |
| SCL/SCLK | 5 | 12 | 9 | I | I ² C-bus or SPI input clock. |
| SDA | 6 | 13 | 10 | I/O | I ² C-bus data input/output, open-drain if I ² C-bus configuration is selected by I ² C/SPI pin. If SPI configuration is selected then this pin is an undefined pin and must be connected to V _{SS} . |
| IRQ | 7 | 14 | 11 | O | Interrupt (open-drain, active LOW). Interrupt is enabled when interrupt sources are enabled in the Interrupt Enable Register (IER). Interrupt conditions include: change of state of the input pins, receiver errors, available receiver buffer data, available transmit buffer space, or when a modem status flag is detected. An external resistor (1 kΩ for 3.3 V, 1.5 kΩ for 2.5 V) must be connected between this pin and V _{DD} . |
| GPIO0 | - | 15 | 12 | I/O | programmable I/O pin ^[2] |
| GPIO1 | - | 16 | 13 | I/O | programmable I/O pin ^[2] |
| GPIO2 | - | 17 | 14 | I/O | programmable I/O pin ^[2] |
| GPIO3 | - | 18 | 15 | I/O | programmable I/O pin ^[2] |
| GPIO4/DSR | - | 20 | 17 | I/O | programmable I/O pin or modem's DSR pin ^{[2][3]} |
| GPIO5/DTR | - | 21 | 18 | I/O | programmable I/O pin or modem's DTR pin ^{[2][3]} |
| GPIO6/CD | - | 22 | 19 | I/O | programmable I/O pin or modem's CD pin ^{[2][3]} |
| GPIO7/RI | - | 23 | 20 | I/O | programmable I/O pin or modem's RI pin ^{[2][3]} |
| RTS | 10 | 24 | 21 | O | UART request to send (active LOW). A logic 0 on the RTS pin indicates the transmitter has data ready and waiting to send. Writing a logic 1 in the modem control register MCR[1] will set this pin to a logic 0, indicating data is available. After a reset this pin is set to a logic 1. This pin only affects the transmit and receive operations when auto RTS function is enabled via the Enhanced Feature Register (EFR[6]) for hardware flow control operation. |
| V _{SS} | 9 | 19 | 16 ^[4] | - | ground |
| V _{SS} | - | - | center pad ^[4] | - | The center pad on the back side of the HVQFN24 package is metallic and should be connected to ground on the printed-circuit board. |

[1] See [Section 7.4.1 “Hardware reset, Power-On Reset \(POR\) and software reset”](#)

[2] These pins have an active pull-up resistor at their inputs. See [Table 36](#).

[3] Selectable with IOControl register bit 1.

- [4] HVQFN24 package die supply ground is connected to both V_{SS} pins and exposed center pad. V_{SS} pins must be connected to supply ground for proper device operation. For enhanced thermal, electrical, and board level performance, the exposed pad needs to be soldered to the board using a corresponding thermal pad on the board and for proper heat conduction through the board, thermal vias need to be incorporated in the PCB in the thermal pad region.

7. Functional description

The UART will perform serial-to-I²C conversion on data characters received from peripheral devices or modems, and I²C-to-serial conversion on data characters transmitted by the host. The complete status the SC16IS740/750/760 UART can be read at any time during functional operation by the host.

The SC16IS740/750/760 can be placed in an alternate mode (FIFO mode) relieving the host of excessive software overhead by buffering received/transmitted characters. Both the receiver and transmitter FIFOs can store up to 64 characters (including three additional bits of error status per character for the receiver FIFO) and have selectable or programmable trigger levels.

The SC16IS740/750/760 has selectable hardware flow control and software flow control. Hardware flow control significantly reduces software overhead and increases system efficiency by automatically controlling serial data flow using the $\overline{\text{RTS}}$ output and $\overline{\text{CTS}}$ input signals. Software flow control automatically controls data flow by using programmable Xon/Xoff characters.

The UART includes a programmable baud rate generator that can divide the timing reference clock input by a divisor between 1 and $(2^{16} - 1)$.

7.1 Trigger levels

The SC16IS740/750/760 provides independently selectable and programmable trigger levels for both receiver and transmitter interrupt generation. After reset, both transmitter and receiver FIFOs are disabled and so, in effect, the trigger level is the default value of one character. The selectable trigger levels are available via the FCR. The programmable trigger levels are available via the TLR. If TLR bits are cleared then selectable trigger level in FCR is used. If TLR bits are not cleared then programmable trigger level in TLR is used.

7.2 Hardware flow control

Hardware flow control is comprised of auto $\overline{\text{CTS}}$ and auto $\overline{\text{RTS}}$ (see [Figure 8](#)). Auto $\overline{\text{CTS}}$ and auto $\overline{\text{RTS}}$ can be enabled/disabled independently by programming EFR[7:6].

With auto $\overline{\text{CTS}}$, $\overline{\text{CTS}}$ must be active before the UART can transmit data.

Auto $\overline{\text{RTS}}$ only activates the $\overline{\text{RTS}}$ output when there is enough room in the FIFO to receive data and de-activates the $\overline{\text{RTS}}$ output when the RX FIFO is sufficiently full. The halt and resume trigger levels in the TCR determine the levels at which $\overline{\text{RTS}}$ is activated/deactivated. If TCR bits are cleared then selectable trigger levels in FCR are used in place of TCR.

If both auto $\overline{\text{CTS}}$ and auto $\overline{\text{RTS}}$ are enabled, when $\overline{\text{RTS}}$ is connected to $\overline{\text{CTS}}$, data transmission does not occur unless the receiver FIFO has empty space. Thus, overrun errors are eliminated during hardware flow control. If not enabled, overrun errors occur if the transmit data rate exceeds the receive FIFO servicing latency.

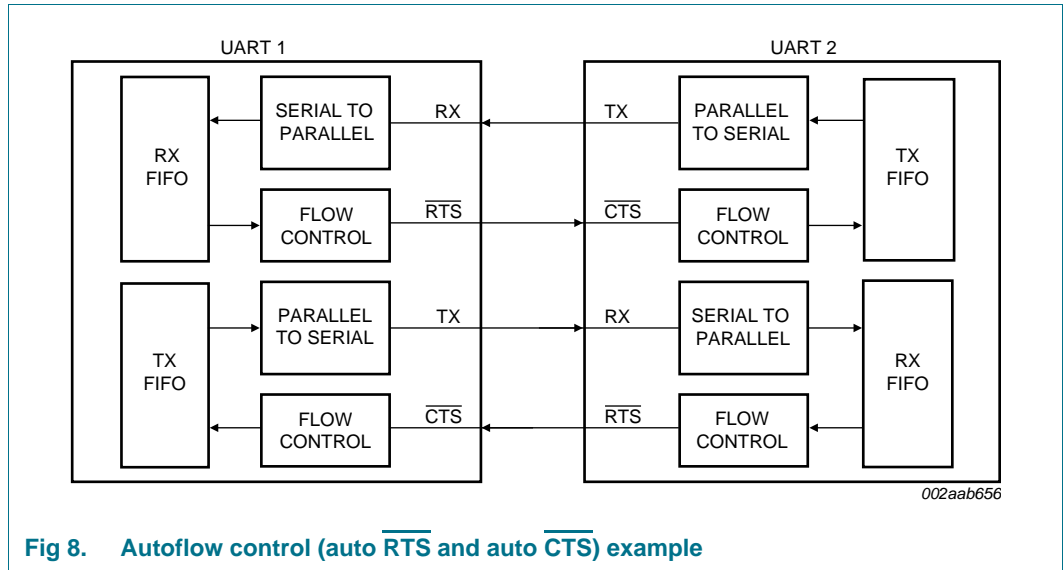
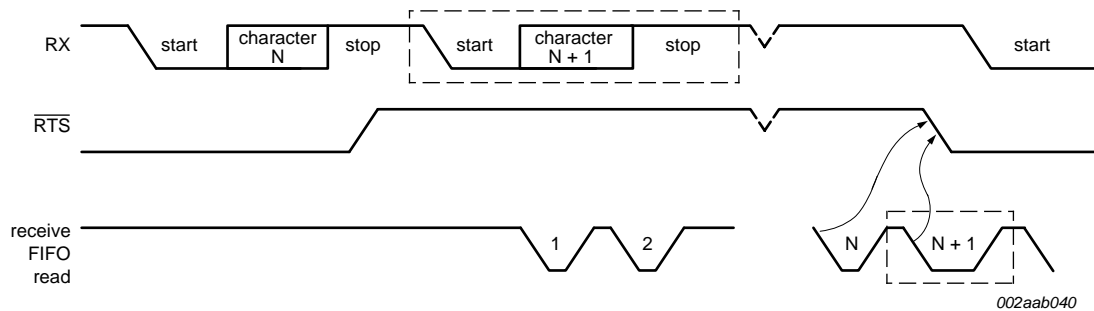


Fig 8. Autoflow control (auto $\overline{\text{RTS}}$ and auto $\overline{\text{CTS}}$) example

7.2.1 Auto $\overline{\text{RTS}}$

Figure 9 shows $\overline{\text{RTS}}$ functional timing. The receiver FIFO trigger levels used in auto $\overline{\text{RTS}}$ are stored in the TCR or FCR. $\overline{\text{RTS}}$ is active if the RX FIFO level is below the halt trigger level in TCR[3:0]. When the receiver FIFO halt trigger level is reached, $\overline{\text{RTS}}$ is deasserted. The sending device (for example, another UART) may send an additional character after the trigger level is reached (assuming the sending UART has another character to send) because it may not recognize the deassertion of $\overline{\text{RTS}}$ until it has begun sending the additional character. $\overline{\text{RTS}}$ is automatically reasserted once the receiver FIFO reaches the resume trigger level programmed via TCR[7:4]. This reassertion allows the sending device to resume transmission.

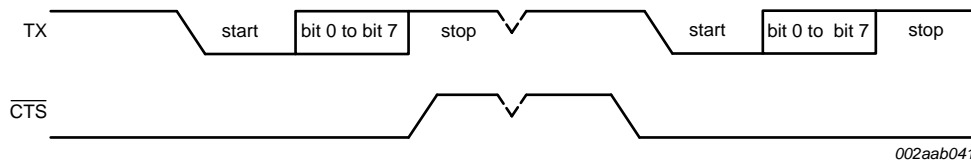


- (1) N = receiver FIFO trigger level.
- (2) The two blocks in dashed lines cover the case where an additional character is sent, as described in [Section 7.2.1](#)

Fig 9. $\overline{\text{RTS}}$ functional timing

7.2.2 Auto $\overline{\text{CTS}}$

Figure 10 shows $\overline{\text{CTS}}$ functional timing. The transmitter circuitry checks $\overline{\text{CTS}}$ before sending the next data byte. When $\overline{\text{CTS}}$ is active, the transmitter sends the next byte. To stop the transmitter from sending the following byte, $\overline{\text{CTS}}$ must be deasserted before the middle of the last stop bit that is currently being sent. The auto $\overline{\text{CTS}}$ function reduces interrupts to the host system. When flow control is enabled, $\overline{\text{CTS}}$ level changes do not trigger host interrupts because the device automatically controls its own transmitter. Without auto $\overline{\text{CTS}}$, the transmitter sends any data present in the transmit FIFO and a receiver overrun error may result.



- (1) When $\overline{\text{CTS}}$ is LOW, the transmitter keeps sending serial data out.
- (2) When $\overline{\text{CTS}}$ goes HIGH before the middle of the last stop bit of the current character, the transmitter finishes sending the current character, but it does not send the next character.
- (3) When $\overline{\text{CTS}}$ goes from HIGH to LOW, the transmitter begins sending data again.

Fig 10. $\overline{\text{CTS}}$ functional timing

7.3 Software flow control

Software flow control is enabled through the enhanced feature register and the Modem Control Register. Different combinations of software flow control can be enabled by setting different combinations of EFR[3:0]. Table 3 shows software flow control options.

Table 3. Software flow control options (EFR[3:0])

| EFR[3] | EFR[2] | EFR[1] | EFR[0] | TX, RX software flow control |
|--------|--------|--------|--------|---|
| 0 | 0 | X | X | no transmit flow control |
| 1 | 0 | X | X | transmit Xon1, Xoff1 |
| 0 | 1 | X | X | transmit Xon2, Xoff2 |
| 1 | 1 | X | X | transmit Xon1 and Xon2, Xoff1 and Xoff2 |
| X | X | 0 | 0 | no receive flow control |
| X | X | 1 | 0 | receiver compares Xon1, Xoff1 |
| X | X | 0 | 1 | receiver compares Xon2, Xoff2 |
| 1 | 0 | 1 | 1 | transmit Xon1, Xoff1 receiver compares Xon1 or Xon2, Xoff1 or Xoff2 |
| 0 | 1 | 1 | 1 | transmit Xon2, Xoff2 receiver compares Xon1 or Xon2, Xoff1 or Xoff2 |
| 1 | 1 | 1 | 1 | transmit Xon1 and Xon2, Xoff1 and Xoff2 receiver compares Xon1 and Xon2, Xoff1 and Xoff2 |
| 0 | 0 | 1 | 1 | no transmit flow control receiver compares Xon1 and Xon2, Xoff1 and Xoff2 |

There are two other enhanced features relating to software flow control:

- **Xon Any function (MCR[5]):** Receiving any character will resume operation after recognizing the Xoff character. It is possible that an Xon1 character is recognized as an Xon Any character, which could cause an Xon2 character to be written to the RX FIFO.
- **Special character (EFR[5]):** Incoming data is compared to Xoff2. Detection of the special character sets the Xoff interrupt (IIR[4]) but does not halt transmission. The Xoff interrupt is cleared by a read of the IIR. The special character is transferred to the RX FIFO.

7.3.1 RX

When software flow control operation is enabled, the SC16IS740/750/760 will compare incoming data with Xoff1/Xoff2 programmed characters (in certain cases, Xoff1 and Xoff2 must be received sequentially). When the correct Xoff characters are received, transmission is halted after completing transmission of the current character. Xoff detection also sets IIR[4] (if enabled via IER[5]) and causes $\overline{\text{IRQ}}$ to go LOW.

To resume transmission, an Xon1/Xon2 character must be received (in certain cases Xon1 and Xon2 must be received sequentially). When the correct Xon characters are received, IIR[4] is cleared, and the Xoff interrupt disappears.

7.3.2 TX

Xoff1/Xoff2 character is transmitted when the RX FIFO has passed the HALT trigger level programmed in TCR[3:0] or the selectable trigger level in FCR[7:6]

Xon1/Xoff2 character is transmitted when the RX FIFO reaches the RESUME trigger level programmed in TCR[7:4] or RX FIFO falls below the lower selectable trigger level in FCR[7:6].

The transmission of Xoff/Xon(s) follows the exact same protocol as transmission of an ordinary character from the FIFO. This means that even if the word length is set to be 5, 6, or 7 bits, then the 5, 6, or 7 least significant bits of XOFF1/XOFF2 or XON1/XON2 will be transmitted. (Note that the transmission of 5, 6, or 7 bits of a character is seldom done, but this functionality is included to maintain compatibility with earlier designs.)

It is assumed that software flow control and hardware flow control will never be enabled simultaneously. [Figure 11](#) shows an example of software flow control.

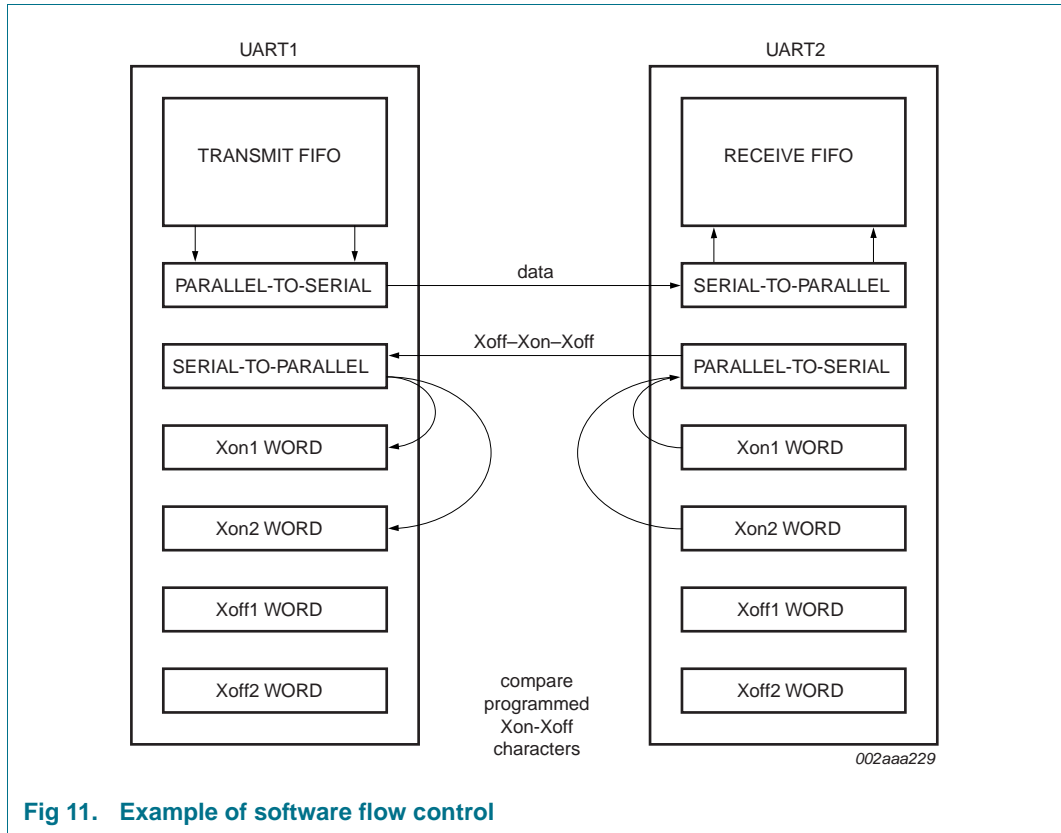


Fig 11. Example of software flow control

7.4 Reset and power-on sequence

7.4.1 Hardware reset, Power-On Reset (POR) and software reset

These three reset methods are identical and will reset the internal registers as indicated in [Table 4](#).

[Table 4](#) summarizes the state of register.

Table 4. Register reset^[1]

| Register | Reset state |
|-----------------------------------|---|
| Interrupt Enable Register | all bits cleared |
| Interrupt Identification Register | bit 0 is set; all other bits cleared |
| FIFO Control Register | all bits cleared |
| Line Control Register | reset to 0001 1101 (0x1D) |
| Modem Control Register | all bits cleared |
| Line Status Register | bit 5 and bit 6 set; all other bits cleared |
| Modem Status Register | bits 0:3 cleared; bits 4:7 input signals |
| Enhanced Feature Register | all bits cleared |
| Receiver Holding Register | pointer logic cleared |
| Transmitter Holding Register | pointer logic cleared |
| Transmission Control Register | all bits cleared. |
| Trigger Level Register | all bits cleared. |

Table 4. Register reset^[1]

| Register | Reset state |
|-------------------------------------|---------------------------|
| Transmit FIFO level | reset to 0100 0000 (0x40) |
| Receive FIFO level | all bits cleared |
| I/O direction ^[2] | all bits cleared |
| I/O interrupt enable ^[2] | all bits cleared |
| I/O control ^[3] | all bits cleared |
| Extra Feature Register | all bits cleared |

[1] Registers DLL, DLH, SPR, XON1, XON2, XOFF1, XOFF2 are not reset by the top-level reset signal RESET, POR or Software Reset, that is, they hold their initialization values during reset.

[2] This register is not supported in SC16IS740.

[3] Only UART Software Reset bit is supported in this register.

[Table 5](#) summarizes the state of registers after reset.

Table 5. Output signals after reset

| Signal | Reset state |
|--------|--------------------------|
| TX | HIGH |
| RTS | HIGH |
| I/Os | inputs |
| IRQ | HIGH by external pull-up |

7.4.2 Power-on sequence

After power is applied, the device is reset by the internal POR. The host must wait at least 3 μs before initializing a communication with the device.

An external reset pulse (see [Figure 26](#)) can also be used to reset the device after power is applied.

Once the device is reset properly, the host processor can start to communicate with the device. Internal registers can be accessed (read and write), however, at this time the UART transmitter and receiver cannot be used until there is a stable clock at XTAL1 pin. Normally, if an external clock such as a system clock or an external oscillator is used to supply a clock to XTAL1 pin, the clock should be stable at this time. But if a crystal is used, the host processor must wait until the crystal is generating a stable clock before accessing the UART transmitter or receiver.

The crystal's start-up time depends on the crystal being used, V_{CC} ramp-up time and the loading capacitor values. The start-up time can be as long as a few milliseconds.

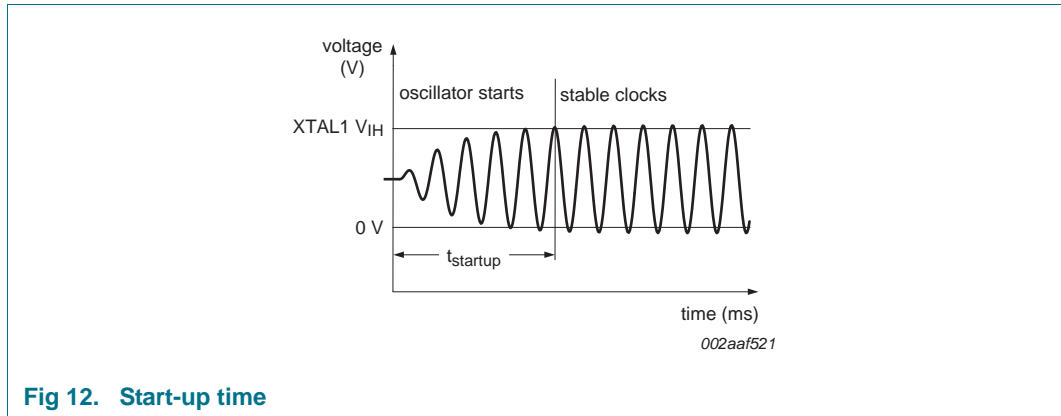


Fig 12. Start-up time

7.5 Interrupts

The SC16IS740/750/760 has interrupt generation and prioritization (seven prioritized levels of interrupts) capability. The interrupt enable registers (IER and IOIntEna) enable each of the seven types of interrupts and the IRQ signal in response to an interrupt generation. When an interrupt is generated, the IIR indicates that an interrupt is pending and provides the type of interrupt through IIR[5:0]. [Table 6](#) summarizes the interrupt control functions.

Table 6. Summary of interrupt control functions

| IIR[5:0] | Priority level | Interrupt type | Interrupt source |
|----------|----------------|---|--|
| 00 0001 | none | none | none |
| 00 0110 | 1 | receiver line status | OE, FE, PE, or BI errors occur in characters in the RX FIFO |
| 00 1100 | 2 | RX time-out | Stale data in RX FIFO |
| 00 0100 | 2 | RHR interrupt | Receive data ready (FIFO disable) or RX FIFO above trigger level (FIFO enable) |
| 00 0010 | 3 | THR interrupt | Transmit FIFO empty (FIFO disable) or TX FIFO passes above trigger level (FIFO enable) |
| 00 0000 | 4 | modem status ^[1] | Change of state of modem input pins |
| 11 0000 | 5 | I/O pins ^[1] | Input pins change of state |
| 01 0000 | 6 | Xoff interrupt | Receive Xoff character(s)/ special character |
| 10 0000 | 7 | $\overline{\text{CTS}}$, $\overline{\text{RTS}}$ | $\overline{\text{RTS}}$ pin or $\overline{\text{CTS}}$ pin change state from active (LOW) to inactive (HIGH) |

[1] Available only on SC16IS750/SC16IS760.

It is important to note that for the framing error, parity error, and break conditions, LSR[7] generates the interrupt. LSR[7] is set when there is an error anywhere in the RX FIFO, and is cleared only when there are no more errors remaining in the FIFO. LSR[4:2] always represent the error status for the received character at the top of the RX FIFO. Reading the RX FIFO updates LSR[4:2] to the appropriate status for the new character at the top of the FIFO. If the RX FIFO is empty, then LSR[4:2] are all zeros.

For the Xoff interrupt, if an Xoff flow character detection caused the interrupt, the interrupt is cleared by an Xon flow character detection. If a special character detection caused the interrupt, the interrupt is cleared by a read of the IIR.

7.5.1 Interrupt mode operation

In Interrupt mode (if any bit of IER[3:0] is 1) the host is informed of the status of the receiver and transmitter by an interrupt signal, \overline{IRQ} . Therefore, it is not necessary to continuously poll the Line Status Register (LSR) to see if any interrupt needs to be serviced. [Figure 13](#) shows Interrupt mode operation.

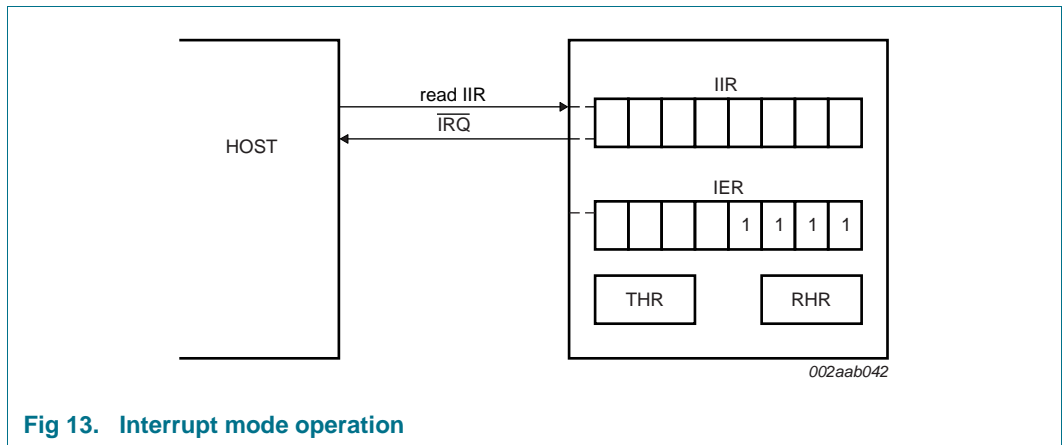


Fig 13. Interrupt mode operation

7.5.2 Polled mode operation

In Polled mode (IER[3:0] = 0000) the status of the receiver and transmitter can be checked by polling the Line Status Register (LSR). This mode is an alternative to the FIFO Interrupt mode of operation where the status of the receiver and transmitter is automatically known by means of interrupts sent to the CPU. [Figure 14](#) shows FIFO Polled mode operation.

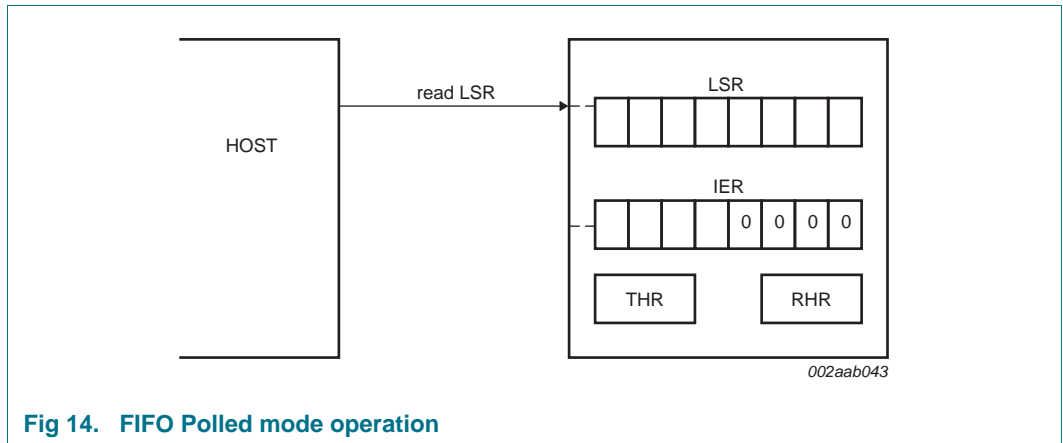


Fig 14. FIFO Polled mode operation

7.6 Sleep mode

Sleep mode is an enhanced feature of the SC16IS740/750/760 UART. It is enabled when EFR[4], the enhanced functions bit, is set and when IER[4] is set. Sleep mode is entered when:

- The serial data input line, RX, is idle (see [Section 7.7 “Break and time-out conditions”](#)).
- The TX FIFO and TX shift register are empty.
- There are no interrupts pending except THR.

Remark: Sleep mode will **not** be entered if there is data in the RX FIFO.

In Sleep mode, the clock to the UART is stopped. Since most registers are clocked using these clocks, the power consumption is greatly reduced. The UART will wake up when any change is detected on the RX line, when there is any change in the state of the modem input pins, or if data is written to the TX FIFO.

Wake-up by serial data on RX input pin is supported in UART mode but not in IrDA mode in Rev. C and Rev. D of the device. Refer to application note *AN10964, “How to wake up SC16IS/740/750/760 in IrDA mode”* for a software procedure to wake up the device by receiving data in the IrDA mode.

Wake-up by serial data on RX input pin is supported in both UART mode and IrDA mode in Rev. E of the device.

The device will not wake up by GPIO pin transition, but GPIO pin input state can be read, and GPIO interrupt is working normally during Sleep mode.

Remark: Writing to the divisor latches, DLL and DLH, to set the baud clock, must not be done during Sleep mode. Therefore, it is advisable to disable Sleep mode using IER[4] before writing to DLL or DLH.

7.7 Break and time-out conditions

When the UART receives a number of characters and these data are not enough to set off the receive interrupt (because they do not reach the receive trigger level), the UART will generate a time-out interrupt instead, 4 character times after the last character is received. The time-out counter will be reset at the center of each stop bit received or each time the receive FIFO is read.

A break condition is detected when the RX pin is pulled LOW for a duration longer than the time it takes to send a complete character plus Start, Stop and Parity bits. A break condition can be sent by setting LCR[6]. When this happens the TX pin will be pulled LOW until LSR[6] is cleared by the software.

7.8 Programmable baud rate generator

The SC16IS740/750/760 UART contains a programmable baud rate generator that takes any clock input and divides it by a divisor in the range between 1 and (2¹⁶ – 1). An additional divide-by-4 prescaler is also available and can be selected by MCR[7], as shown in [Figure 15](#). The output frequency of the baud rate generator is 16 × the baud rate. The formula for the divisor is given in [Equation 1](#):

$$divisor = \frac{\left(\frac{XTAL1 \text{ crystal input frequency}}{prescaler}\right)}{desired \text{ baud rate} \times 16} \tag{1}$$

where:

- prescaler = 1, when MCR[7] is set to '0' after reset (divide-by-1 clock selected)
- prescaler = 4, when MCR[7] is set to '1' after reset (divide-by-4 clock selected).

Remark: The default value of prescaler after reset is divide-by-1.

[Figure 15](#) shows the internal prescaler and baud rate generator circuitry.

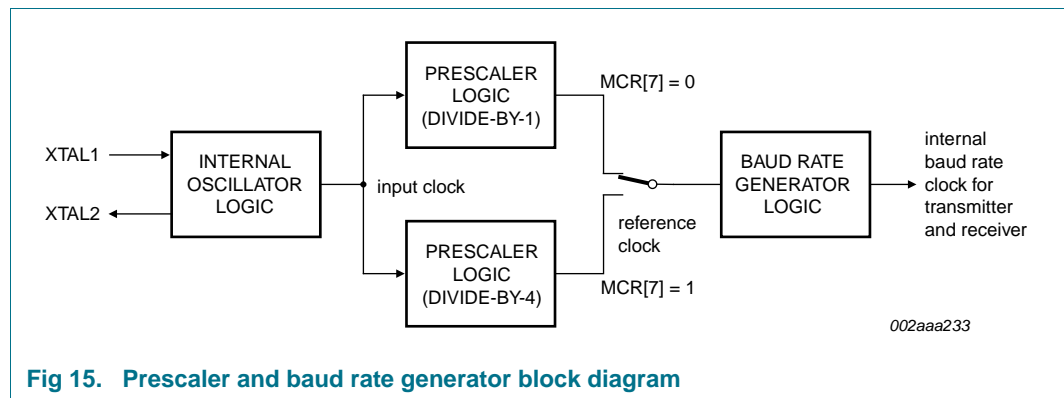


Fig 15. Prescaler and baud rate generator block diagram

DLL and DLH must be written to in order to program the baud rate. DLL and DLH are the least significant and most significant byte of the baud rate divisor. If DLL and DLH are both zero, the UART is effectively disabled, as no baud clock will be generated.

Remark: The programmable baud rate generator is provided to select both the transmit and receive clock rates.

[Table 7](#) and [Table 8](#) show the baud rate and divisor correlation for crystal with frequency 1.8432 MHz and 3.072 MHz, respectively. The crystal's frequency tolerance should be selected as such to keep the baud rate error to be below 1 % for reliable operation with other UARTs. Crystals with ±100 ppm is generally recommended.

[Figure 16](#) shows the crystal clock circuit reference.

Table 7. Baud rates using a 1.8432 MHz crystal

| Desired baud rate | Divisor used to generate 16× clock | Percent error difference between desired and actual |
|-------------------|------------------------------------|---|
| 50 | 2304 | 0 |
| 75 | 1536 | 0 |
| 110 | 1047 | 0.026 |
| 134.5 | 857 | 0.058 |
| 150 | 768 | 0 |
| 300 | 384 | 0 |
| 600 | 192 | 0 |
| 1200 | 96 | 0 |
| 1800 | 64 | 0 |
| 2000 | 58 | 0.69 |
| 2400 | 48 | 0 |
| 3600 | 32 | 0 |
| 4800 | 24 | 0 |
| 7200 | 16 | 0 |
| 9600 | 12 | 0 |
| 19200 | 6 | 0 |
| 38400 | 3 | 0 |
| 56000 | 2 | 2.86 |

Table 8. Baud rates using a 3.072 MHz crystal

| Desired baud rate | Divisor used to generate 16× clock | Percent error difference between desired and actual |
|-------------------|------------------------------------|---|
| 50 | 2304 | 0 |
| 75 | 2560 | 0 |
| 110 | 1745 | 0.026 |
| 134.5 | 1428 | 0.034 |
| 150 | 1280 | 0 |
| 300 | 640 | 0 |
| 600 | 320 | 0 |
| 1200 | 160 | 0 |
| 1800 | 107 | 0.312 |
| 2000 | 96 | 0 |
| 2400 | 80 | 0 |
| 3600 | 53 | 0.628 |
| 4800 | 40 | 0 |
| 7200 | 27 | 1.23 |
| 9600 | 20 | 0 |
| 19200 | 10 | 0 |
| 38400 | 5 | 0 |

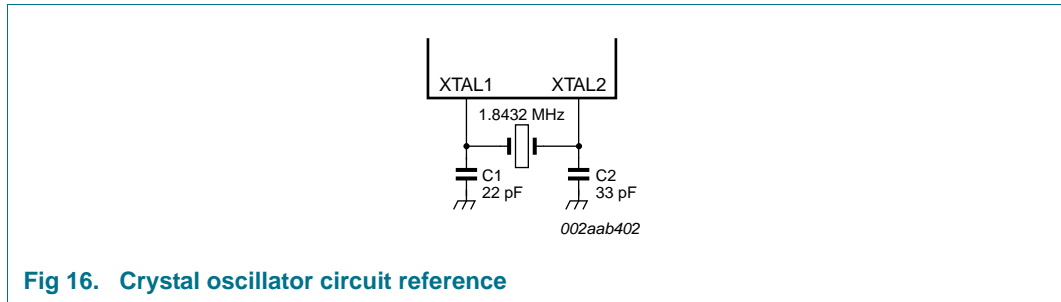


Fig 16. Crystal oscillator circuit reference

8. Register descriptions

The programming combinations for register selection are shown in [Table 9](#).

Table 9. Register map - read/write properties

| Register name | Read mode | Write mode |
|--------------------------|--|--|
| RHR/THR | Receive Holding Register (RHR) | Transmit Holding Register (THR) |
| IER | Interrupt Enable Register (IER) | Interrupt Enable Register |
| IIR/FCR | Interrupt Identification Register (IIR) | FIFO Control Register (FCR) |
| LCR | Line Control Register (LCR) | Line Control Register |
| MCR | Modem Control Register (MCR) ^[1] | Modem Control Register ^[1] |
| LSR | Line Status Register (LSR) | n/a |
| MSR | Modem Status Register (MSR) | n/a |
| SPR | Scratchpad Register (SPR) | Scratchpad Register |
| TCR | Transmission Control Register (TCR) ^[2] | Transmission Control Register ^[2] |
| TLR | Trigger Level Register (TLR) ^[2] | Trigger Level Register ^[2] |
| TXLVL | Transmit FIFO Level Register | n/a |
| RXLVL | Receive FIFO Level Register | n/a |
| IODir ^[3] | I/O pin Direction Register | I/O pin Direction Register |
| IOState ^[3] | I/O pin States Register | n/a |
| IOIntEna ^[3] | I/O Interrupt Enable Register | I/O Interrupt Enable Register |
| IOControl ^[3] | I/O pins Control Register | I/O pins Control Register |
| EFCR | Extra Features Register | Extra Features Register |
| DLL | divisor latch LSB (DLL) ^[4] | divisor latch LSB ^[4] |
| DLH | divisor latch MSB (DLH) ^[4] | divisor latch MSB ^[4] |
| EFR | Enhanced Feature Register (EFR) ^[5] | Enhanced Feature Register ^[5] |
| XON1 | Xon1 word ^[5] | Xon1 word ^[5] |
| XON2 | Xon2 word ^[5] | Xon2 word ^[5] |
| XOFF1 | Xoff1 word ^[5] | Xoff1 word ^[5] |
| XOFF2 | Xoff2 word ^[5] | Xoff2 word ^[5] |

[1] MCR[7] can only be modified when EFR[4] is set.

[2] Accessible only when ERF[4] = 1 and MCR[2] = 1, that is, EFR[4] and MCR[2] are read/write enables.

[3] Available only on SC16IS750/SC16IS760.

[4] Accessible only when LCR[7] is logic 1.

[5] Accessible only when LCR is set to 1011 1111b (0xBF).

Table 10. SC16IS740/750/760 internal registers

| Register address | Register | Bit 7 | Bit 6 | Bit 5 | Bit 4 | Bit 3 | Bit 2 | Bit 1 | Bit 0 | R/W |
|---|--------------------------|---------------------------------------|-------------------------------------|---|---|------------------------------------|-----------------------------------|---|-----------------------------|-----|
| General register set^[1] | | | | | | | | | | |
| 0x00 | RHR | bit 7 | bit 6 | bit 5 | bit 4 | bit 3 | bit 2 | bit 1 | bit 0 | R |
| 0x00 | THR | bit 7 | bit 6 | bit 5 | bit 4 | bit 3 | bit 2 | bit 1 | bit 0 | W |
| 0x01 | IER | CTS interrupt enable ^[2] | RTS interrupt enable ^[2] | Xoff ^[2] | Sleep mode ^[2] | modem status interrupt | receive line status interrupt | THR empty interrupt | RX data available interrupt | R/W |
| 0x02 | FCR | RX trigger level (MSB) | RX trigger level (LSB) | TX trigger level (MSB) ^[2] | TX trigger level (LSB) ^[2] | reserved ^[3] | TX FIFO reset ^[4] | RX FIFO reset ^[4] | FIFO enable | W |
| 0x02 | IIR ^[5] | FIFO enable | FIFO enable | interrupt priority bit 4 ^[2] | interrupt priority bit 3 ^[2] | interrupt priority bit 2 | interrupt priority bit 1 | interrupt priority bit 0 | interrupt status | R |
| 0x03 | LCR | Divisor Latch Enable | set break | set parity | even parity | parity enable | stop bit | word length bit 1 | word length bit 0 | R/W |
| 0x04 | MCR | clock divisor ^[2] | IrDA mode enable ^[2] | Xon Any ^[2] | loopback enable | reserved ^[3] | TCR and TLR enable ^[2] | RTS | DTR/(IO5) ^[6] | R/W |
| 0x05 | LSR | FIFO data error | THR and TSR empty | THR empty | break interrupt | framing error | parity error | overrun error | data in receiver | R |
| 0x06 | MSR | CD/(IO6) ^[6] | RI/(IO7) ^[6] | DSR/ (IO4) ^[6] | CTS | Δ CD/ (IO6) ^[6] | Δ RI/(IO7) ^[6] | Δ DSR/ (IO4) ^[6] | Δ CTS | R |
| 0x07 | SPR | bit 7 | bit 6 | bit 5 | bit 4 | bit 3 | bit 2 | bit 1 | bit 0 | R/W |
| 0x06 | TCR ^[7] | bit 7 | bit 6 | bit 5 | bit 4 | bit 3 | bit 2 | bit 1 | bit 0 | R/W |
| 0x07 | TLR ^[7] | bit 7 | bit 6 | bit 5 | bit 4 | bit 3 | bit 2 | bit 1 | bit 0 | R/W |
| 0x08 | TXLVL | bit 7 | bit 6 | bit 5 | bit 4 | bit 3 | bit 2 | bit 1 | bit 0 | R |
| 0x09 | RXLVL | bit 7 | bit 6 | bit 5 | bit 4 | bit 3 | bit 2 | bit 1 | bit 0 | R |
| 0x0A | IODir ^[6] | bit 7 | bit 6 | bit 5 | bit 4 | bit 3 | bit 2 | bit 1 | bit 0 | R/W |
| 0x0B | IOState ^[6] | bit 7 | bit 6 | bit 5 | bit 4 | bit 3 | bit 2 | bit 1 | bit 0 | R/W |
| 0x0C | IOIntEna ^[6] | bit 7 | bit 6 | bit 5 | bit 4 | bit 3 | bit 2 | bit 1 | bit 0 | R/W |
| 0x0D | reserved ^[3] | reserved ^[3] | reserved ^[3] | reserved ^[3] | reserved ^[3] | reserved ^[3] | reserved ^[3] | reserved ^[3] | reserved ^[3] | |
| 0x0E | IOControl ^[6] | reserved ^[3] | reserved ^[3] | reserved ^[3] | reserved ^[3] | UART software reset ^[8] | reserved ^[3] | I/O[7:4] or $\overline{\text{RI}}$, CD, DTR, DSR | latch | R/W |
| 0x0F | EFCSR | IrDA mode (slow/ fast) ^[9] | reserved ^[3] | auto RS-485 RTS output inversion | auto RS-485 RTS direction control | reserved ^[3] | transmitter disable | receiver disable | 9-bit mode enable | R/W |

Table 10. SC16IS740/750/760 internal registers ...continued

| Register address | Register | Bit 7 | Bit 6 | Bit 5 | Bit 4 | Bit 3 | Bit 2 | Bit 1 | Bit 0 | R/W |
|---|----------|------------------------------|------------------------------|--------------------------|---------------------------|-----------------------------|-----------------------------|-----------------------------|-----------------------------|-----|
| Special register set^[10] | | | | | | | | | | |
| 0x00 | DLL | bit 7 | bit 6 | bit 5 | bit 4 | bit 3 | bit 2 | bit 1 | bit 0 | R/W |
| 0x01 | DLH | bit 7 | bit 6 | bit 5 | bit 4 | bit 3 | bit 2 | bit 1 | bit 0 | R/W |
| Enhanced register set^[11] | | | | | | | | | | |
| 0x02 | EFR | Auto $\overline{\text{CTS}}$ | Auto $\overline{\text{RTS}}$ | special character detect | enable enhanced functions | software flow control bit 3 | software flow control bit 2 | software flow control bit 1 | software flow control bit 0 | R/W |
| 0x04 | XON1 | bit 7 | bit 6 | bit 5 | bit 4 | bit 3 | bit 2 | bit 1 | bit 0 | R/W |
| 0x05 | XON2 | bit 7 | bit 6 | bit 5 | bit 4 | bit 3 | bit 2 | bit 1 | bit 0 | R/W |
| 0x06 | XOFF1 | bit 7 | bit 6 | bit 5 | bit 4 | bit 3 | bit 2 | bit 1 | bit 0 | R/W |
| 0x07 | XOFF2 | bit 7 | bit 6 | bit 5 | bit 4 | bit 3 | bit 2 | bit 1 | bit 0 | R/W |

- [1] These registers are accessible only when LCR[7] = 0.
- [2] These bits in can only be modified if register bit EFR[4] is enabled.
- [3] These bits are reserved and should be set to 0.
- [4] After Receive FIFO or Transmit FIFO reset (through FCR[1:0]), the user must wait at least $2 \times T_{\text{clk}}$ of XTAL1 before reading or writing data to RHR and THR, respectively.
- [5] Burst reads on the serial interface (that is, reading multiple elements on the I²C-bus without a STOP or repeated START condition, or reading multiple elements on the SPI bus without de-asserting the $\overline{\text{CS}}$ pin), should not be performed on the IIR register.
- [6] Only available on the SC16IS750/SC16IS760.
- [7] These registers are accessible only when MCR[2] = 1 and EFR[4] = 1.
- [8] Device returns NACK on I²C-bus when this bit is written.
- [9] IrDA mode slow/fast for SC16IS760, slow only for SC16IS750.
- [10] The special register set is accessible only when LCR[7] = 1 and not 0xBF.
- [11] Enhanced Feature Registers are only accessible when LCR = 0xBF.

8.1 Receive Holding Register (RHR)

The receiver section consists of the Receiver Holding Register (RHR) and the Receiver Shift Register (RSR). The RHR is actually a 64-byte FIFO. The RSR receives serial data from the RX pin. The data is converted to parallel data and moved to the RHR. The receiver section is controlled by the Line Control Register. If the FIFO is disabled, location zero of the FIFO is used to store the characters.

8.2 Transmit Holding Register (THR)

The transmitter section consists of the Transmit Holding Register (THR) and the Transmit Shift Register (TSR). The THR is actually a 64-byte FIFO. The THR receives data and shifts it into the TSR, where it is converted to serial data and moved out on the TX pin. If the FIFO is disabled, the FIFO is still used to store the byte. Characters are lost if overflow occurs.

8.3 FIFO Control Register (FCR)

This is a write-only register that is used for enabling the FIFOs, clearing the FIFOs, setting transmitter and receiver trigger levels. [Table 11](#) shows FIFO Control Register bit settings.

Table 11. FIFO Control Register bits description

| Bit | Symbol | Description |
|-----|-------------------------------|--|
| 7:6 | FCR[7] (MSB), FCR[6] (LSB) | RX trigger. Sets the trigger level for the RX FIFO. 00 = 8 characters 01 = 16 characters 10 = 56 characters 11 = 60 characters |
| 5:4 | FCR[5] (MSB), FCR[4] (LSB) | TX trigger. Sets the trigger level for the TX FIFO. 00 = 8 spaces 01 = 16 spaces 10 = 32 spaces 11 = 56 spaces FCR[5:4] can only be modified and enabled when EFR[4] is set. This is because the transmit trigger level is regarded as an enhanced function. |
| 3 | FCR[3] | reserved |
| 2 | FCR[2] ^[1] | reset TX FIFO logic 0 = no FIFO transmit reset (normal default condition) logic 1 = clears the contents of the transmit FIFO and resets the FIFO level logic (the Transmit Shift Register is not cleared or altered). This bit will return to a logic 0 after clearing the FIFO. |
| 1 | FCR[1] ^[1] | reset RX FIFO logic 0 = no FIFO receive reset (normal default condition) logic 1 = clears the contents of the receive FIFO and resets the FIFO level logic (the Receive Shift Register is not cleared or altered). This bit will return to a logic 0 after clearing the FIFO. |
| 0 | FCR[0] | FIFO enable logic 0 = disable the transmit and receive FIFO (normal default condition) logic 1 = enable the transmit and receive FIFO |

[1] FIFO reset requires at least two XTAL1 clocks, therefore, they cannot be reset without the presence of the XTAL1 clock.

8.4 Line Control Register (LCR)

This register controls the data communication format. The word length, number of stop bits, and parity type are selected by writing the appropriate bits to the LCR. [Table 12](#) shows the Line Control Register bit settings.

Table 12. Line Control Register bits description

| Bit | Symbol | Description |
|-----|----------|--|
| 7 | LCR[7] | divisor latch enable logic 0 = divisor latch disabled (normal default condition) logic 1 = divisor latch enabled |
| 6 | LCR[6] | Break control bit. When enabled, the break control bit causes a break condition to be transmitted (the TX output is forced to a logic 0 state). This condition exists until disabled by setting LCR[6] to a logic 0. logic 0 = no TX break condition (normal default condition). logic 1 = forces the transmitter output (TX) to a logic 0 to alert the communication terminal to a line break condition |
| 5 | LCR[5] | Set parity. LCR[5] selects the forced parity format (if LCR[3] = 1). logic 0 = parity is not forced (normal default condition). LCR[5] = logic 1 and LCR[4] = logic 0: parity bit is forced to a logical 1 for the transmit and receive data. LCR[5] = logic 1 and LCR[4] = logic 1: parity bit is forced to a logical 0 for the transmit and receive data. |
| 4 | LCR[4] | parity type select logic 0 = odd parity is generated (if LCR[3] = 1) logic 1 = even parity is generated (if LCR[3] = 1) |
| 3 | LCR[3] | parity enable logic 0 = no parity (normal default condition). logic 1 = a parity bit is generated during transmission and the receiver checks for received parity |
| 2 | LCR[2] | Number of stop bits. Specifies the number of stop bits. 0 to 1 stop bit (word length = 5, 6, 7, 8) 1 to 1.5 stop bits (word length = 5) 1 = 2 stop bits (word length = 6, 7, 8) |
| 1:0 | LCR[1:0] | Word length bits 1, 0. These two bits specify the word length to be transmitted or received; see Table 15 . |

Table 13. LCR[5] parity selection

| LCR[5] | LCR[4] | LCR[3] | Parity selection |
|--------|--------|--------|-------------------|
| X | X | 0 | no parity |
| 0 | 0 | 1 | odd parity |
| 0 | 1 | 1 | even parity |
| 1 | 0 | 1 | forced parity '1' |
| 1 | 1 | 1 | forced parity '0' |

Table 14. LCR[2] stop bit length

| LCR[2] | Word length (bits) | Stop bit length (bit times) |
|--------|--------------------|-----------------------------|
| 0 | 5, 6, 7, 8 | 1 |
| 1 | 5 | $1\frac{1}{2}$ |
| 1 | 6, 7, 8 | 2 |

Table 15. LCR[1:0] word length

| LCR[1] | LCR[0] | Word length (bits) |
|--------|--------|--------------------|
| 0 | 0 | 5 |
| 0 | 1 | 6 |
| 1 | 0 | 7 |
| 1 | 1 | 8 |

8.5 Line Status Register (LSR)

[Table 16](#) shows the Line Status Register bit settings.

Table 16. Line Status Register bits description

| Bit | Symbol | Description |
|-----|--------|--|
| 7 | LSR[7] | FIFO data error. logic 0 = no error (normal default condition) logic 1 = at least one parity error, framing error, or break indication is in the receiver FIFO. This bit is cleared when no more errors are present in the FIFO. |
| 6 | LSR[6] | THR and TSR empty. This bit is the Transmit Empty indicator. logic 0 = transmitter hold and shift registers are not empty logic 1 = transmitter hold and shift registers are empty |
| 5 | LSR[5] | THR empty. This bit is the Transmit Holding Register Empty indicator. logic 0 = transmit hold register is not empty logic 1 = transmit hold register is empty. The host can now load up to 64 characters of data into the THR if the TX FIFO is enabled. |
| 4 | LSR[4] | break interrupt logic 0 = no break condition (normal default condition) logic 1 = a break condition occurred and associated character is 0x00, that is, RX was LOW for one character time frame |
| 3 | LSR[3] | framing error logic 0 = no framing error in data being read from RX FIFO (normal default condition). logic 1 = framing error occurred in data being read from RX FIFO, that is, received data did not have a valid stop bit |
| 2 | LSR[2] | parity error. logic 0 = no parity error (normal default condition) logic 1 = parity error in data being read from RX FIFO |
| 1 | LSR[1] | overrun error logic 0 = no overrun error (normal default condition) logic 1 = overrun error has occurred |
| 0 | LSR[0] | data in receiver logic 0 = no data in receive FIFO (normal default condition) logic 1 = at least one character in the RX FIFO |

When the LSR is read, LSR[4:2] reflect the error bits (BI, FE, PE) of the character at the top of the RX FIFO (next character to be read). Therefore, errors in a character are identified by reading the LSR and then reading the RHR.

LSR[7] is set when there is an error anywhere in the RX FIFO, and is cleared only when there are no more errors remaining in the FIFO.

8.6 Modem Control Register (MCR)

The MCR controls the interface with the mode, data set, or peripheral device that is emulating the modem. [Table 17](#) shows the Modem Control Register bit settings.

Table 17. Modem Control Register bits description

| Bit | Symbol | Description |
|-----|-----------------------|---|
| 7 | MCR[7] ^[1] | clock divisor logic 0 = divide-by-1 clock input logic 1 = divide-by-4 clock input |
| 6 | MCR[6] ^[1] | IrDA mode enable logic 0 = normal UART mode logic 1 = IrDA mode |
| 5 | MCR[5] ^[1] | Xon Any logic 0 = disable Xon Any function logic 1 = enable Xon Any function |
| 4 | MCR[4] | enable loopback logic 0 = normal operating mode logic 1 = enable local Loopback mode (internal). In this mode the MCR[1:0] signals are looped back into MSR[4:5] and the TX output is looped back to the RX input internally. |
| 3 | MCR[3] | reserved |
| 2 | MCR[2] | TCR and TLR enable logic 0 = disable the TCR and TLR register. logic 1 = enable the TCR and TLR register. |
| 1 | MCR[1] | $\overline{\text{RTS}}$ logic 0 = force $\overline{\text{RTS}}$ output to inactive (HIGH) logic 1 = force $\overline{\text{RTS}}$ output to active (LOW). In Loopback mode, controls MSR[4]. If Auto $\overline{\text{RTS}}$ is enabled, the $\overline{\text{RTS}}$ output is controlled by hardware flow control. |
| 0 | MCR[0] | $\overline{\text{DTR}}$ ^[2] . If GPIO5 is selected as DTR modem pin through IOControl register bit 1, the state of DTR pin can be controlled as below. Writing to IOState bit 5 will not have any effect on this pin. logic 0 = Force $\overline{\text{DTR}}$ output to inactive (HIGH) logic 1 = Force $\overline{\text{DTR}}$ output to active (LOW) |

[1] MCR[7:5] and MCR[2] can only be modified when EFR[4] is set, that is, EFR[4] is a write enable.

[2] Only available on SC16IS750/SC16IS760.

8.7 Modem Status Register (MSR)

This 8-bit register provides information about the current state of the control lines from the modem, data set, or peripheral device to the host. It also indicates when a control input from the modem changes state. [Table 18](#) shows Modem Status Register bit settings.

Table 18. Modem Status Register bits description

| Bit | Symbol | Description |
|-----|--------|--|
| 7 | MSR[7] | CD ^[1] (active HIGH, logical 1). If GPIO6 is selected as CD modem pin through IOControl register bit 1, the state of CD pin can be read from this bit. This bit is the complement of the \overline{CD} input. Reading IOState bit 6 does not reflect the true state of CD pin. |
| 6 | MSR[6] | RI ^[1] (active HIGH, logical 1). If GPIO7 is selected as RI modem pin through IOControl register bit 1, the state of RI pin can be read from this bit. This bit is the complement of the \overline{RI} input. Reading IOState bit 6 does not reflect the true state of RI pin. |
| 5 | MSR[5] | DSR ^[1] (active HIGH, logical 1). If GPIO4 is selected as DSR modem pin through IOControl register bit 1, the state of DSR pin can be read from this bit. This bit is the complement of the \overline{DSR} input. Reading IOState bit 4 does not reflect the true state of DSR pin. |
| 4 | MSR[4] | CTS (active HIGH, logical 1). This bit is the complement of the \overline{CTS} input. |
| 3 | MSR[3] | ΔCD ^[1] . Indicates that \overline{CD} input has changed state. Cleared on a read. |
| 2 | MSR[2] | ΔRI ^[1] . Indicates that \overline{RI} input has changed state from LOW to HIGH. Cleared on a read. |
| 1 | MSR[1] | ΔDSR ^[1] . Indicates that \overline{DSR} input has changed state. Cleared on a read. |
| 0 | MSR[0] | ΔCTS . Indicates that \overline{CTS} input has changed state. Cleared on a read. |

[1] Only available on SC16IS750/SC16IS760.

Remark: The primary inputs \overline{RI} , \overline{CD} , \overline{CTS} , \overline{DSR} are all active LOW.

8.8 Scratch Pad Register (SPR)

This 8-bit register is used as a temporary data storage register. User's program can write to or read from this register without any effect on the operation of the device.

8.9 Interrupt Enable Register (IER)

The Interrupt Enable Register (IER) enables each of the six types of interrupt, receiver error, RHR interrupt, THR interrupt, modem status, Xoff received, or $\overline{\text{CTS/RTS}}$ change of state from LOW to HIGH. The IRQ output signal is activated in response to interrupt generation. [Table 19](#) shows the Interrupt Enable Register bit settings.

Table 19. Interrupt Enable Register bits description

| Bit | Symbol | Description |
|-----|-----------------------|--|
| 7 | IER[7] ^[1] | $\overline{\text{CTS}}$ interrupt enable logic 0 = disable the $\overline{\text{CTS}}$ interrupt (normal default condition) logic 1 = enable the $\overline{\text{CTS}}$ interrupt |
| 6 | IER[6] ^[1] | $\overline{\text{RTS}}$ interrupt enable logic 0 = disable the $\overline{\text{RTS}}$ interrupt (normal default condition) logic 1 = enable the $\overline{\text{RTS}}$ interrupt |
| 5 | IER[5] ^[1] | Xoff interrupt logic 0 = disable the Xoff interrupt (normal default condition) logic 1 = enable the Xoff interrupt |
| 4 | IER[4] ^[1] | Sleep mode logic 0 = disable Sleep mode (normal default condition) logic 1 = enable Sleep mode. See Section 7.6 "Sleep mode" for details. |
| 3 | IER[3] | Modem Status Interrupt ^[2] . logic 0 = disable the modem status register interrupt (normal default condition) logic 1 = enable the modem status register interrupt Remark: See IOControl register bit 1 in Table 30 for the description of how to program the pins as modem pins. |
| 2 | IER[2] | Receive Line Status interrupt logic 0 = disable the receiver line status interrupt (normal default condition) logic 1 = enable the receiver line status interrupt |
| 1 | IER[1] | Transmit Holding Register interrupt. logic 0 = disable the THR interrupt (normal default condition) logic 1 = enable the THR interrupt |
| 0 | IER[0] | Receive Holding Register interrupt. logic 0 = disable the RHR interrupt (normal default condition) logic 1 = enable the RHR interrupt |

[1] IER[7:4] can only be modified if EFR[4] is set, that is, EFR[4] is a write enable. Re-enabling IER[1] will not cause a new interrupt if the THR is below the threshold.

[2] Only available on the SC16IS750/SC16IS760.

8.10 Interrupt Identification Register (IIR)

The IIR is a read-only 8-bit register which provides the source of the interrupt in a prioritized manner. [Table 20](#) shows Interrupt Identification Register bit settings.

Table 20. Interrupt Identification Register bits description

| Bit | Symbol | Description |
|-----|----------|--|
| 7:6 | IIR[7:6] | mirror the contents of FCR[0] |
| 5:1 | IIR[5:1] | 5-bit encoded interrupt. See Table 21 . |
| 0 | IIR[0] | interrupt status logic 0 = an interrupt is pending logic 1 = no interrupt is pending |

Table 21. Interrupt source

| Priority level | IIR[5] | IIR[4] | IIR[3] | IIR[2] | IIR[1] | IIR[0] | Source of the interrupt |
|----------------|--------|--------|--------|--------|--------|--------|--|
| 1 | 0 | 0 | 0 | 1 | 1 | 0 | Receiver Line Status error |
| 2 | 0 | 0 | 1 | 1 | 0 | 0 | Receiver time-out interrupt |
| 2 | 0 | 0 | 0 | 1 | 0 | 0 | RHR interrupt |
| 3 | 0 | 0 | 0 | 0 | 1 | 0 | THR interrupt |
| 4 | 0 | 0 | 0 | 0 | 0 | 0 | modem interrupt ^{[1][2]} |
| 5 | 1 | 1 | 0 | 0 | 0 | 0 | input pin change of state ^{[1][2]} |
| 6 | 0 | 1 | 0 | 0 | 0 | 0 | received Xoff signal/ special character |
| 7 | 1 | 0 | 0 | 0 | 0 | 0 | $\overline{\text{CTS}}$, $\overline{\text{RTS}}$ change of state from active (LOW) to inactive (HIGH) |

[1] Modem interrupt status must be read via MSR register and GPIO interrupt status must be read via IOState register.

[2] Only available on SC16IS750/SC16IS760.

8.11 Enhanced Features Register (EFR)

This 8-bit register enables or disables the enhanced features of the UART. [Table 22](#) shows the enhanced feature register bit settings.

Table 22. Enhanced Features Register bits description

| Bit | Symbol | Description |
|-----|----------|--|
| 7 | EFR[7] | <p>$\overline{\text{CTS}}$ flow control enable</p> <p>logic 0 = $\overline{\text{CTS}}$ flow control is disabled (normal default condition)</p> <p>logic 1 = $\overline{\text{CTS}}$ flow control is enabled. Transmission will stop when a HIGH signal is detected on the CTS pin.</p> |
| 6 | EFR[6] | <p>$\overline{\text{RTS}}$ flow control enable.</p> <p>logic 0 = $\overline{\text{RTS}}$ flow control is disabled (normal default condition)</p> <p>logic 1 = $\overline{\text{RTS}}$ flow control is enabled. The $\overline{\text{RTS}}$ pin goes HIGH when the receiver FIFO halt trigger level TCR[3:0] is reached, and goes LOW when the receiver FIFO resume transmission trigger level TCR[7:4] is reached.</p> |
| 5 | EFR[5] | <p>Special character detect</p> <p>logic 0 = Special character detect disabled (normal default condition)</p> <p>logic 1 = Special character detect enabled. Received data is compared with Xoff2 data. If a match occurs, the received data is transferred to FIFO and IIR[4] is set to a logical 1 to indicate a special character has been detected.</p> |
| 4 | EFR[4] | <p>Enhanced functions enable bit</p> <p>logic 0 = disables enhanced functions and writing to IER[7:4], FCR[5:4], MCR[7:5].</p> <p>logic 1 = enables the enhanced function IER[7:4], FCR[5:4], and MCR[7:5] so that they can be modified.</p> |
| 3:0 | EFR[3:0] | <p>Combinations of software flow control can be selected by programming these bits. See Table 3 “Software flow control options (EFR[3:0])”.</p> |

8.12 Division registers (DLL, DLH)

These are two 8-bit registers which store the 16-bit divisor for generation of the baud clock in the baud rate generator. DLH stores the most significant part of the divisor. DLL stores the least significant part of the divisor.

Remark: DLL and DLH can only be written to before Sleep mode is enabled, that is, before IER[4] is set.

8.13 Transmission Control Register (TCR)

This 8-bit register is used to store the RX FIFO threshold levels to stop/start transmission during hardware/software flow control. [Table 23](#) shows Transmission Control Register bit settings.

Table 23. Transmission Control Register bits description

| Bit | Symbol | Description |
|-----|----------|---|
| 7:4 | TCR[7:4] | RX FIFO trigger level to resume |
| 3:0 | TCR[3:0] | RX FIFO trigger level to halt transmission |

TCR trigger levels are available from 0 to 60 characters with a granularity of four.

Remark: TCR can only be written to when EFR[4] = 1 and MCR[2] = 1. The programmer must program the TCR such that TCR[3:0] > TCR[7:4]. There is no built-in hardware check to make sure this condition is met. Also, the TCR must be programmed with this condition before auto RTS or software flow control is enabled to avoid spurious operation of the device.

8.14 Trigger Level Register (TLR)

This 8-bit register is used to store the transmit and received FIFO trigger levels used for interrupt generation. Trigger levels from 4 to 60 can be programmed with a granularity of 4. [Table 24](#) shows trigger level register bit settings.

Table 24. Trigger Level Register bits description

| Bit | Symbol | Description |
|-----|----------|---|
| 7:4 | TLR[7:4] | RX FIFO trigger levels (4 to 60), number of characters available. |
| 3:0 | TLR[3:0] | TX FIFO trigger levels (4 to 60), number of spaces available. |

Remark: TLR can only be written to when EFR[4] = 1 and MCR[2] = 1. If TLR[3:0] or TLR[7:4] are logical 0, the selectable trigger levels via the FIFO Control Register (FCR) are used for the transmit and receive FIFO trigger levels. Trigger levels from 4 characters to 60 characters are available with a granularity of four. The TLR should be programmed for $N_{\sqrt{4}}$, where N is the desired trigger level.

When the trigger level setting in TLR is zero, the SC16IS740/750/760 uses the trigger level setting defined in FCR. If TLR has non-zero trigger level value, the trigger level defined in FCR is discarded. This applies to both transmit FIFO and receive FIFO trigger level setting.

When TLR is used for RX trigger level control, FCR[7:6] should be left at the default state, that is, '00'.

8.15 Transmitter FIFO Level register (TXLVL)

This register is a read-only register, it reports the number of spaces available in the transmit FIFO.

Table 25. Transmitter FIFO Level register bits description

| Bit | Symbol | Description |
|-----|------------|---|
| 7 | - | not used; set to zeros |
| 6:0 | TXLVL[6:0] | number of spaces available in TX FIFO, from 0 (0x00) to 64 (0x40) |

8.16 Receiver FIFO Level register (RXLVL)

This register is a read-only register, it reports the fill level of the receive FIFO. That is, the number of characters in the RX FIFO.

Table 26. Receiver FIFO Level register bits description

| Bit | Symbol | Description |
|-----|------------|--|
| 7 | - | not used; set to zeros |
| 6:0 | RXLVL[6:0] | number of characters stored in RX FIFO, from 0 (0x00) to 64 (0x40) |

8.17 Programmable I/O pins Direction register (IODir)

This register is only available on the SC16IS750 and SC16IS760. This register is used to program the I/O pins direction. Bit 0 to bit 7 controls GPIO0 to GPIO7.

Table 27. IODir register bits description

| Bit | Symbol | Description |
|-----|--------|---|
| 7:0 | IODir | set GPIO pins [7:0] to input or output 0 = input 1 = output |

Remark: If there is a pending input (GPIO) interrupt and IODir is written, this pending interrupt will be cleared, that is, the interrupt signal will be negated.

8.18 Programmable I/O pins State Register (IOState)

This register is only available on the SC16IS750 and SC16IS760. When 'read', this register returns the actual state of all I/O pins. When 'write', each register bit will be transferred to the corresponding IO pin programmed as output.

Table 28. IOState register bits description

| Bit | Symbol | Description |
|-----|---------|---|
| 7:0 | IOState | Write this register: set the logic level on the output pins 0 = set output pin to zero 1 = set output pin to one Read this register: return states of all pins |

8.19 I/O Interrupt Enable Register (IOIntEna)

This register is only available on the SC16IS750 and SC16IS760. This register enables the interrupt due to a change in the I/O configured as inputs. If GPIO[7:4] are programmed as modem pins, their interrupt generation must be enabled via IER register bit 3. In this case bit 7 to bit 4 of IOIntEna will have no effect on GPIO[7:4].

Table 29. IOIntEna register bits description

| Bit | Symbol | Description |
|-----|----------|--|
| 7:0 | IOIntEna | input interrupt enable 0 = a change in the input pin will not generate an interrupt 1 = a change in the input will generate an interrupt |

8.20 I/O Control register (IOControl)

This register is only available on the SC16IS750 and SC16IS760.

Table 30. IOControl register bits description

| Bit | Symbol | Description |
|-----|-------------------------|--|
| 7:4 | - | reserved for future use |
| 3 | SRESET | software reset A write to bit will reset the device. Once the device is reset this bit is automatically set to '0' |
| 2 | - | reserved for future use |
| 1 | GPIO[7:4] or modem pins | This bit programs GPIO[7:4] as I/O pins or modem \overline{RI} , \overline{CD} , \overline{DTR} , \overline{DSR} pins. 0 = GPIO[7:4] behave as I/O pins 1 = GPIO[7:4] behave as \overline{RI} , \overline{CD} , \overline{DTR} , \overline{DSR} |
| 0 | IOLATCH | enable/disable inputs latching 0 = input values are not latched. A change in any input generates an interrupt. A read of the input register clears the interrupt. If the input goes back to its initial logic state before the input register is read, then the interrupt is cleared. 1 = input values are latched. A change in the input generates an interrupt and the input logic value is loaded in the bit of the corresponding input state register (IOState). A read of the IOState register clears the interrupt. If the input pin goes back to its initial logic state before the interrupt register is read, then the interrupt is not cleared and the corresponding bit of the IOState register keeps the logic value that initiates the interrupt. |

Remark: As I/O pins, the direction, state, and interrupt of GPIO4 to GPIO7 are controlled by the following registers: IODir, IOState, IOIntEna, and IOControl. The state of \overline{CD} , \overline{RI} , \overline{DSR} pins will not be reflected in MSR[7:5] or MSR[3:1], and any change of state on these three pins will not trigger a modem status interrupt (even if enabled via IER[3]), and the state of the DTR pin cannot be controlled by MCR[0].

As modem \overline{CD} , \overline{RI} , \overline{DSR} pins, the status at the input of these three pins can be read from MSR[7:5] and MSR[3:1], and the state of DTR pin can be controlled by MCR[0]. Also, if modem status interrupt bit is enabled, IER[3], a change of state of \overline{RI} , \overline{CD} , \overline{DSR} pins will trigger a modem interrupt. Bit[7:4] of the IODir, IOState, and IOIntEna registers will not have any effect on these three pins.

8.21 Extra Features Control Register (EFCR)

Table 31. Extra Features Control Register bits description

| Bit | Symbol | Description |
|-----|------------|--|
| 7 | IRDA MODE | IrDA mode 0 = IrDA SIR, $3\sqrt{16}$ pulse ratio, data rate up to 115.2 kbit/s 1 = IrDA SIR, $1\sqrt{4}$ pulse ratio, data rate up to 1.152 Mbit/s ^[1] |
| 6 | - | reserved |
| 5 | RTSINVER | invert $\overline{\text{RTS}}$ signal in RS-485 mode 0: $\overline{\text{RTS}} = 0$ during transmission and $\overline{\text{RTS}} = 1$ during reception 1: $\overline{\text{RTS}} = 1$ during transmission and $\overline{\text{RTS}} = 0$ during reception |
| 4 | RTSCON | enable the transmitter to control the $\overline{\text{RTS}}$ pin 0 = transmitter does not control $\overline{\text{RTS}}$ pin 1 = transmitter controls $\overline{\text{RTS}}$ pin |
| 3 | - | reserved |
| 2 | TXDISABLE | Disable transmitter. UART does not send serial data out on the transmit pin, but the transmit FIFO will continue to receive data from host until full. Any data in the TSR will be sent out before the transmitter goes into disable state. 0: transmitter is enabled 1: transmitter is disabled |
| 1 | RXDISABLE | Disable receiver. UART will stop receiving data immediately once this bit set to a 1, and any data in the TSR will be sent to the receive FIFO. User is advised not to set this bit during receiving. 0: receiver is enabled 1: receiver is disabled |
| 0 | 9-BIT MODE | Enable 9-bit or Multidrop mode (RS-485). 0: normal RS-232 mode 1: enables RS-485 mode |

[1] For SC16IS760 only.

9. RS-485 features

9.1 Auto RS-485 $\overline{\text{RTS}}$ control

Normally the $\overline{\text{RTS}}$ pin is controlled by MCR bit 1, or if hardware flow control is enabled, the logic state of the $\overline{\text{RTS}}$ pin is controlled by the hardware flow control circuitry. EFCR register bit 4 will take the precedence over the other two modes; once this bit is set, the transmitter will control the state of the $\overline{\text{RTS}}$ pin. The transmitter automatically asserts the $\overline{\text{RTS}}$ pin (logic 0) once the host writes data to the transmit FIFO, and deasserts $\overline{\text{RTS}}$ pin (logic 1) once the last bit of the data has been transmitted.

To use the auto RS-485 $\overline{\text{RTS}}$ mode the software would have to disable the hardware flow control function.

9.2 RS-485 $\overline{\text{RTS}}$ output inversion

EFCR bit 5 reverses the polarity of the $\overline{\text{RTS}}$ pin if the UART is in auto RS-485 $\overline{\text{RTS}}$ mode. When the transmitter has data to be sent it will deasserts the $\overline{\text{RTS}}$ pin (logic 1), and when the last bit of the data has been sent out the transmitter asserts the $\overline{\text{RTS}}$ pin (logic 0).

9.3 Auto RS-485

EFCR bit 0 is used to enable the RS-485 mode (multidrop or 9-bit mode). In this mode of operation, a 'master' station transmits an address character followed by data characters for the addressed 'slave' stations. The slave stations examine the received data and interrupt the controller if the received character is an address character (parity bit = 1).

To use the auto RS-485 mode the software would have to disable the hardware and software flow control functions.

9.3.1 Normal multidrop mode

The 9-bit Mode in EFCR (bit 0) is enabled, but not Special Character Detect (EFR bit 5). The receiver is set to Force Parity 0 (LCR[5:3] = 111) in order to detect address bytes.

With the receiver initially disabled, it ignores all the data bytes (parity bit = 0) until an address byte is received (parity bit = 1). This address byte will cause the UART to set the parity error. The UART will generate a line status interrupt (IER bit 2 must be set to '1' at this time), and at the same time puts this address byte in the RX FIFO. After the controller examines the byte it must make a decision whether or not to enable the receiver; it should enable the receiver if the address byte addresses its ID address, and must not enable the receiver if the address byte does not address its ID address.

If the controller enables the receiver, the receiver will receive the subsequent data until being disabled by the controller after the controller has received a complete message from the 'master' station. If the controller does not disable the receiver after receiving a message from the 'master' station, the receiver will generate a parity error upon receiving another address byte. The controller then determines if the address byte addresses its ID address, if it is not, the controller then can disable the receiver. If the address byte addresses the 'slave' ID address, the controller take no further action, the receiver will receive the subsequent data.

9.3.2 Auto address detection

If Special Character Detect is enabled (EFR[5] is set and the XOFF2 register contains the address byte) the receiver will try to detect an address byte that matches the programmed character in the XOFF2 register. If the received byte is a data byte or an address byte that does not match the programmed character in the XOFF2 register, the receiver will discard these data. Upon receiving an address byte that matches the Xoff2 character, the receiver will be automatically enabled if not already enabled, and the address character is pushed into the RX FIFO along with the parity bit (in place of the parity error bit). The receiver also generates a line status interrupt (IER[2] must be set to '1' at this time). The receiver will then receive the subsequent data from the 'master' station until being disabled by the controller after having received a message from the 'master' station.

If another address byte is received and this address byte does not match Xoff2 character, the receiver will be automatically disabled and the address byte is ignored. If the address byte matches Xoff2 character, the receiver will put this byte in the RX FIFO along with the parity bit in the parity error bit (LSR bit 2).

10. I²C-bus operation

The two lines of the I²C-bus are a serial data line (SDA) and a serial clock line (SCL). Both lines are connected to a positive supply via a pull-up resistor, and remain HIGH when the bus is not busy. Each device is recognized by a unique address whether it is a microcomputer, LCD driver, memory or keyboard interface and can operate as either a transmitter or receiver, depending on the function of the device. A device generating a message or data is a transmitter, and a device receiving the message or data is a receiver. Obviously, a passive function like an LCD driver could only be a receiver, while a microcontroller or a memory can both transmit and receive data.

10.1 Data transfers

One data bit is transferred during each clock pulse (see [Figure 17](#)). The data on the SDA line must remain stable during the HIGH period of the clock pulse in order to be valid. Changes in the data line at this time will be interpreted as control signals. A HIGH-to-LOW transition of the data line (SDA) while the clock signal (SCL) is HIGH indicates a START condition, and a LOW-to-HIGH transition of the SDA while SCL is HIGH defines a STOP condition (see [Figure 18](#)). The bus is considered to be busy after the START condition and free again at a certain time interval after the STOP condition. The START and STOP conditions are always generated by the master.

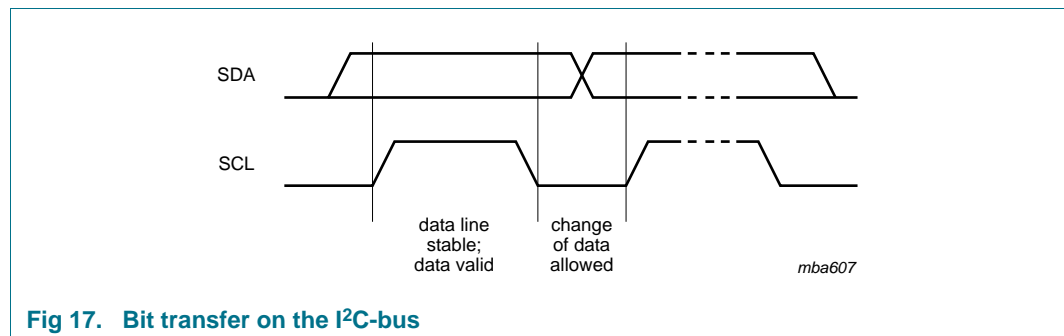


Fig 17. Bit transfer on the I²C-bus

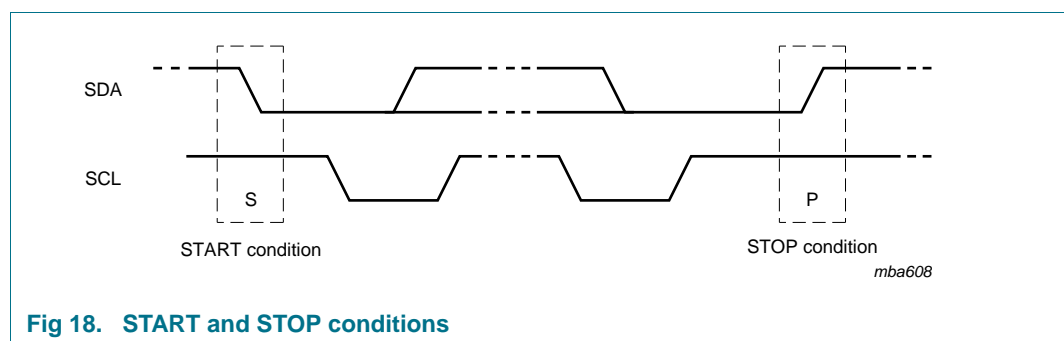


Fig 18. START and STOP conditions

The number of data bytes transferred between the START and STOP condition from transmitter to receiver is not limited. Each byte, which must be eight bits long, is transferred serially with the most significant bit first, and is followed by an acknowledge bit (see [Figure 19](#)). The clock pulse related to the acknowledge bit is generated by the master. The device that acknowledges has to pull down the SDA line during the acknowledge clock pulse, while the transmitting device releases this pulse (see [Figure 20](#)).

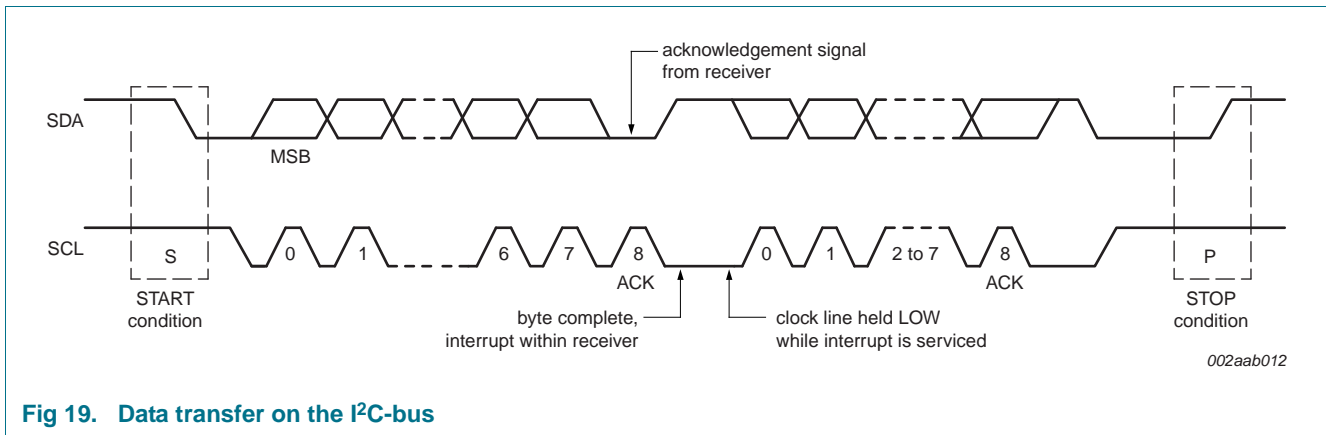


Fig 19. Data transfer on the I²C-bus

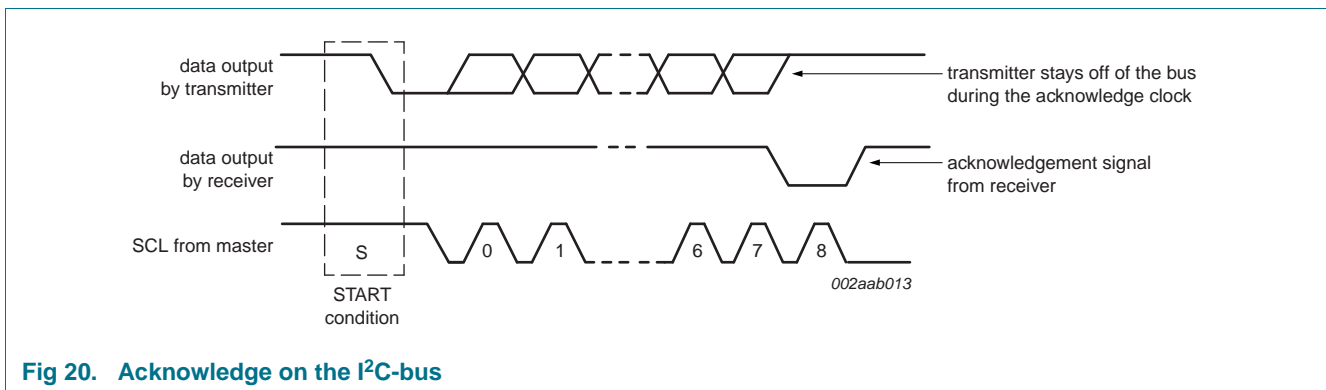


Fig 20. Acknowledge on the I²C-bus

A slave receiver must generate an acknowledge after the reception of each byte, and a master must generate one after the reception of each byte clocked out of the slave transmitter.

There are two exceptions to the 'acknowledge after every byte' rule. The first occurs when a master is a receiver: it must signal an end of data to the transmitter by **not** signalling an acknowledge on the last byte that has been clocked out of the slave. The acknowledge related clock, generated by the master should still take place, but the SDA line will not be pulled down. In order to indicate that this is an active and intentional lack of acknowledgement, we shall term this special condition as a 'negative acknowledge'.

The second exception is that a slave will send a negative acknowledge when it can no longer accept additional data bytes. This occurs after an attempted transfer that cannot be accepted.

10.2 Addressing and transfer formats

Each device on the bus has its own unique address. Before any data is transmitted on the bus, the master transmits on the bus the address of the slave to be accessed for this transaction. A well-behaved slave with a matching address, if it exists on the network, should of course acknowledge the master's addressing. The addressing is done by the first byte transmitted by the master after the START condition.

An address on the network is seven bits long, appearing as the most significant bits of the address byte. The last bit is a direction (R/W) bit. A '0' indicates that the master is transmitting (write) and a '1' indicates that the master requests data (read). A complete data transfer, comprised of an address byte indicating a 'write' and two data bytes is shown in [Figure 21](#).

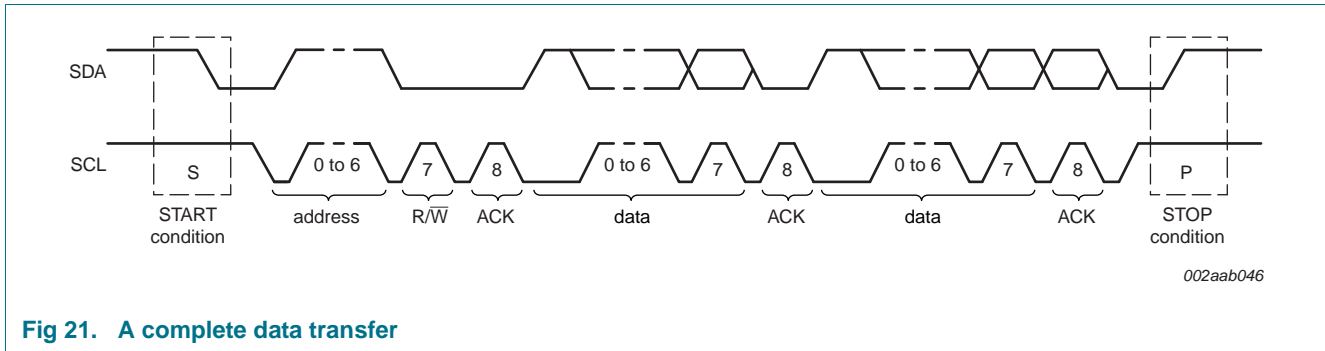


Fig 21. A complete data transfer

When an address is sent, each device in the system compares the first seven bits after the START with its own address. If there is a match, the device will consider itself addressed by the master, and will send an acknowledge. The device could also determine if in this transaction it is assigned the role of a slave receiver or slave transmitter, depending on the R/W bit.

Each node of the I²C-bus network has a unique seven-bit address. The address of a microcontroller is of course fully programmable, while peripheral devices usually have fixed and programmable address portions.

When the master is communicating with one device only, data transfers follow the format of [Figure 21](#), where the R/W bit could indicate either direction. After completing the transfer and issuing a STOP condition, if a master would like to address some other device on the network, it could start another transaction by issuing a new START.

Another way for a master to communicate with several different devices would be by using a 'repeated START'. After the last byte of the transaction was transferred, including its acknowledge (or negative acknowledge), the master issues another START, followed by address byte and data — without effecting a STOP. The master may communicate with a number of different devices, combining 'reads' and 'writes'. After the last transfer takes place, the master issues a STOP and releases the bus. Possible data formats are demonstrated in [Figure 22](#). Note that the repeated START allows for both change of a slave and a change of direction, without releasing the bus. We shall see later on that the change of direction feature can come in handy even when dealing with a single device.

In a single master system, the repeated START mechanism may be more efficient than terminating each transfer with a STOP and starting again. In a multimaster environment, the determination of which format is more efficient could be more complicated, as when a master is using repeated STARTs it occupies the bus for a long time and thus preventing other devices from initiating transfers.

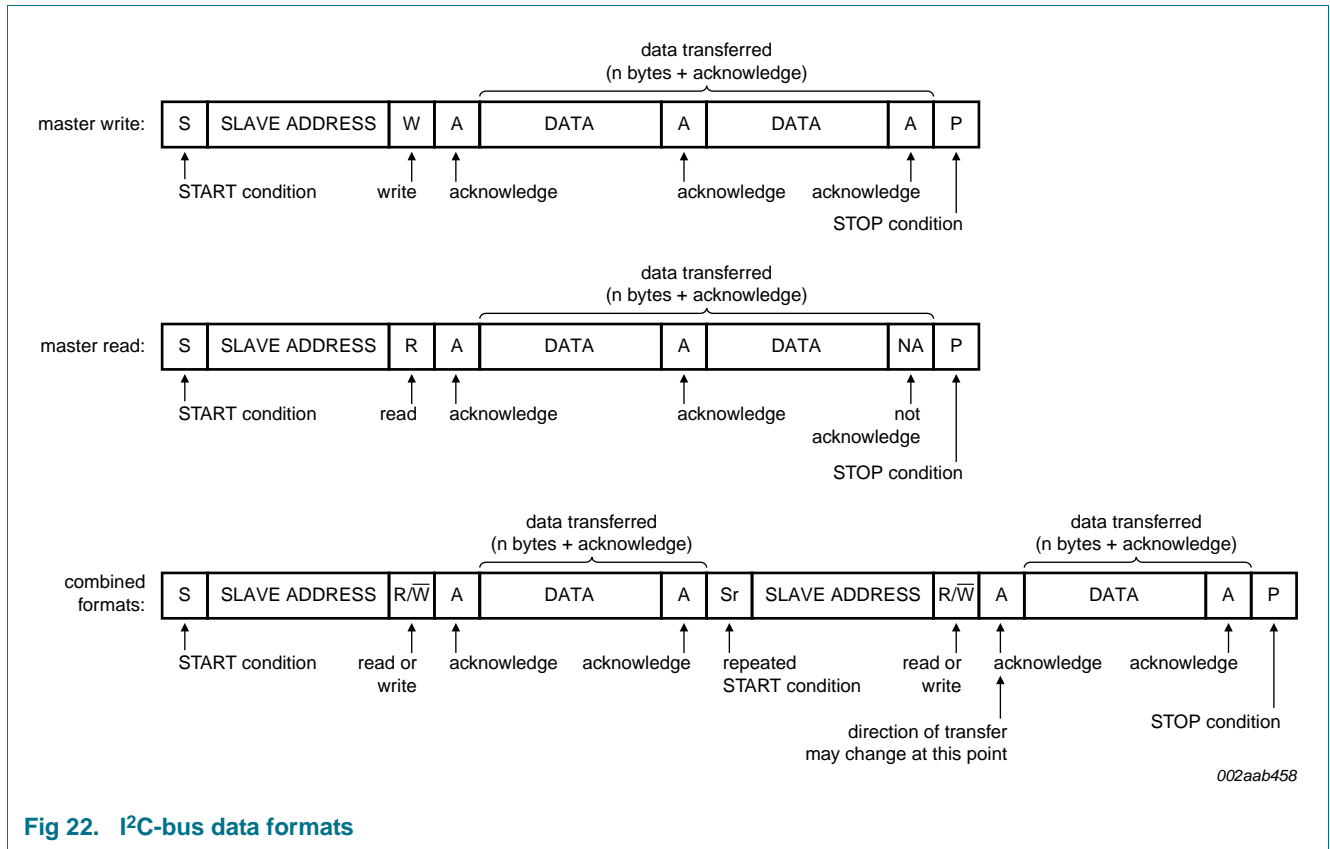


Fig 22. I²C-bus data formats

10.3 Addressing

Before any data is transmitted or received, the master must send the address of the receiver via the SDA line. The first byte after the START condition carries the address of the slave device and the read/write bit. [Table 32](#) shows how the SC16IS740/750/760's address can be selected by using A1 and A0 pins. For example, if these 2 pins are connected to V_{DD}, then the SC16IS740/750/760's address is set to 0x90, and the master communicates with it through this address.

Table 32. SC16IS740/750/760 address map

| A1 | A0 | SC16IS750/760 I ² C addresses (hex) ^[1] |
|-----------------|-----------------|---|
| V _{DD} | V _{DD} | 0x90 (1001 000X) |
| V _{DD} | V _{SS} | 0x92 (1001 001X) |
| V _{DD} | SCL | 0x94 (1001 010X) |
| V _{DD} | SDA | 0x96 (1001 011X) |
| V _{SS} | V _{DD} | 0x98 (1001 100X) |
| V _{SS} | V _{SS} | 0x9A (1001 101X) |
| V _{SS} | SCL | 0x9C (1001 110X) |
| V _{SS} | SDA | 0x9E (1001 111X) |
| SCL | V _{DD} | 0xA0 (1010 000X) |
| SCL | V _{SS} | 0xA2 (1010 001X) |
| SCL | SCL | 0xA4 (1010 010X) |
| SCL | SDA | 0xA6 (1010 011X) |
| SDA | V _{DD} | 0xA8 (1010 100X) |
| SDA | V _{SS} | 0xAA (1010 101X) |
| SDA | SCL | 0xAC (1010 110X) |
| SDA | SDA | 0xAE (1010 111X) |

[1] X = logic 0 for write cycle; X = logic 1 for read cycle.

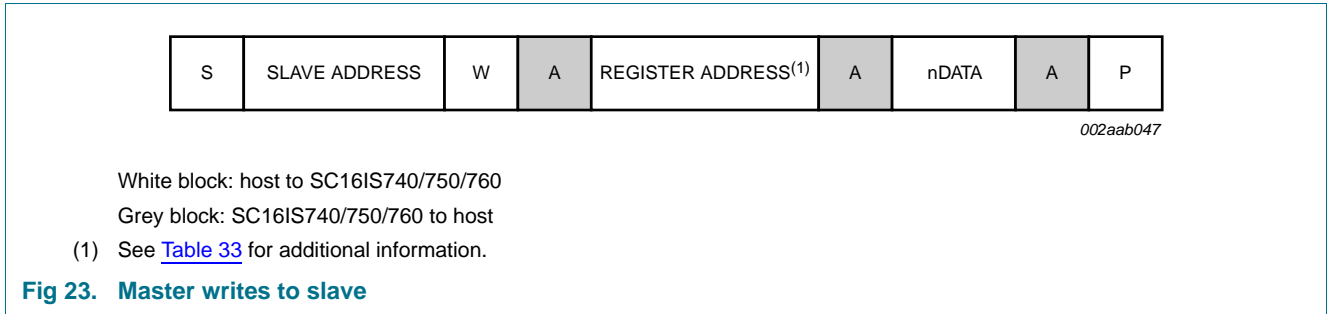
10.4 Use of subaddresses

When a master communicates with the SC16IS740/750/760 it must send a subaddress in the byte following the slave address byte. This subaddress is the internal address of the word the master wants to access for a single byte transfer, or the beginning of a sequence of locations for a multi-byte transfer. A subaddress is an 8-bit byte. Unlike the device address, it does not contain a direction (R/W) bit, and like any byte transferred on the bus it must be followed by an acknowledge.

[Table 33](#) shows the breakdown of the subaddress (register address) byte. Bit 0 is not used, bits [2:1] are both set to zeroes, bits [6:3] are used to select one of the device's internal registers, and bit 7 is not used.

A register write cycle is shown in [Figure 23](#). The START is followed by a slave address byte with the direction bit set to 'write', a subaddress byte, a number of data bytes, and a STOP signal. The subaddress indicates which register the master wants to access, and the data bytes which follow will be written one after the other to the subaddress location.

Table 33 and Table 34 show the bits' presentation at the subaddress byte for I²C-bus and SPI interfaces. Bit 0 is not used, bits 2:1 select the channel, bits 6:3 select one of the UART internal registers. Bit 7 is not used with the I²C-bus interface, but it is used by the SPI interface to indicate a read or a write operation.



The register read cycle (see Figure 24) commences in a similar manner, with the master sending a slave address with the direction bit set to 'write' with a following subaddress. Then, in order to reverse the direction of the transfer, the master issues a repeated START followed again by the device address, but this time with the direction bit set to 'read'. The data bytes starting at the internal subaddress will be clocked out of the device, each followed by a master-generated acknowledge. The last byte of the read cycle will be followed by a negative acknowledge, signalling the end of transfer. The cycle is terminated by a STOP signal.

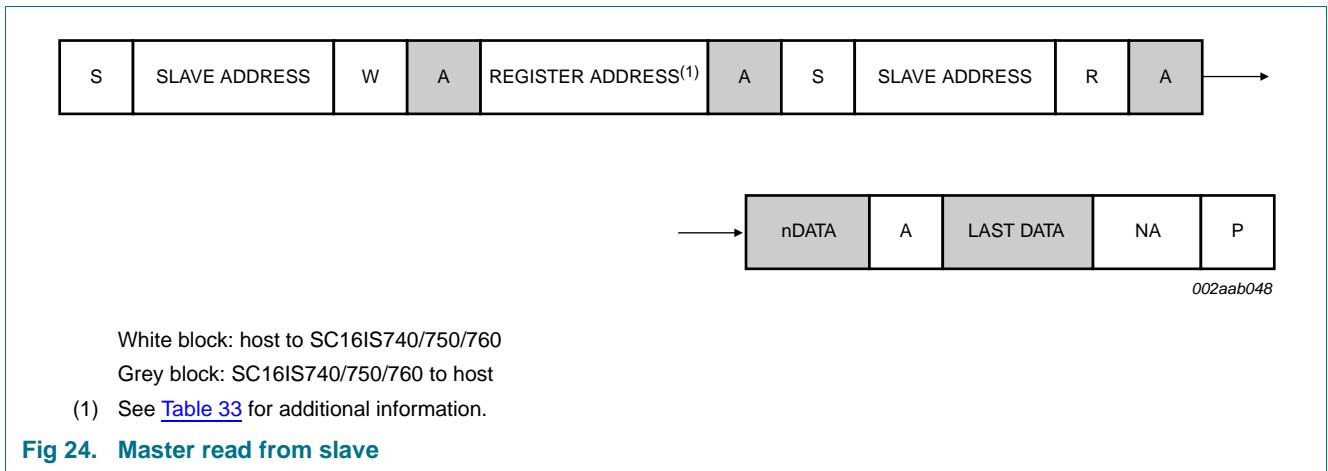
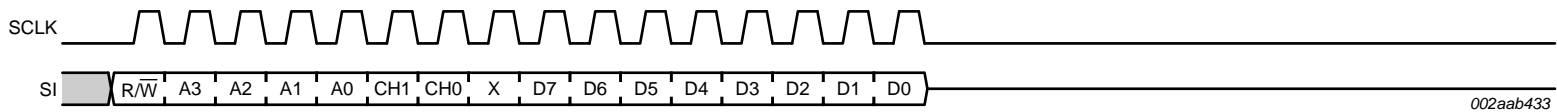


Table 33. Register address byte (I²C)

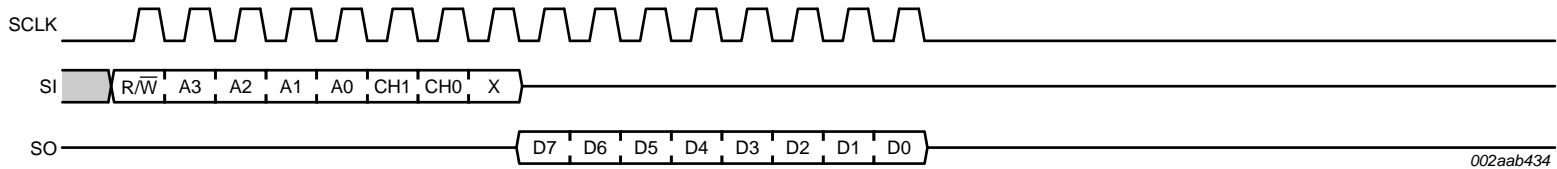
| Bit | Name | Function |
|-----|----------|---|
| 7 | - | not used |
| 6:3 | A[3:0] | UART's internal register select |
| 2:1 | CH1, CH0 | channel select: CH1 = 0, CH0 = 0 Other values are reserved and should not be used. |
| 0 | - | not used |

11. SPI operation



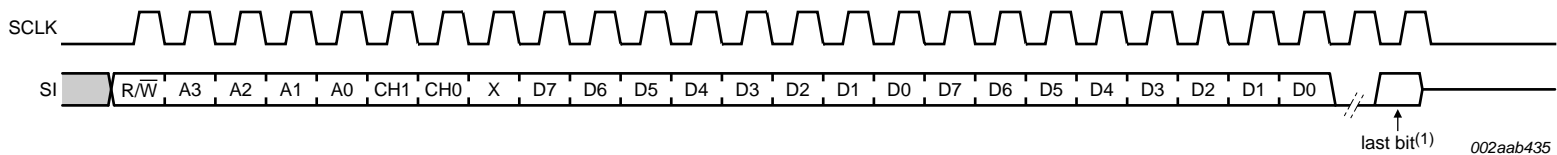
$\overline{R/W} = 0$; A[3:0] = register address; CH1 = 0, CH0 = 0

a. Register write



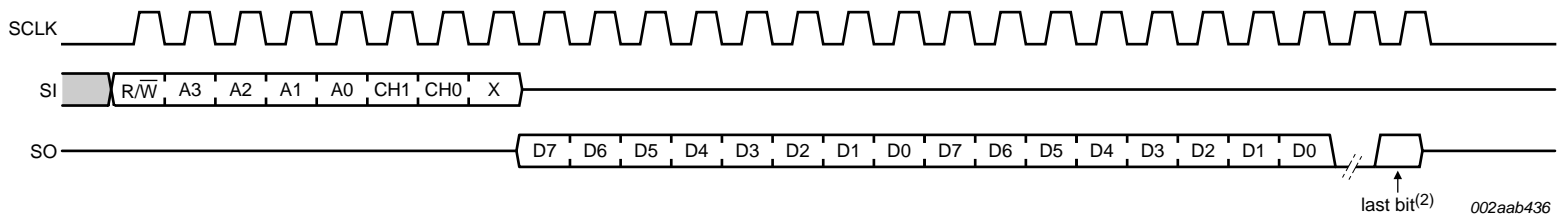
$\overline{R/W} = 1$; A[3:0] = register address; CH1 = 0, CH0 = 0

b. Register read



$\overline{R/W} = 0$; A[3:0] = 0000; CH1 = 0, CH0 = 0

c. FIFO write cycle



$\overline{R/W} = 1$; A[3:0] = 0000; CH1 = 0, CH0 = 0

d. FIFO read cycle

- (1) Last bit (D0) of the last byte to be written to the transmit FIFO.
- (2) Last bit (D0) of the last byte to be read from the receive FIFO.

Fig 25. SPI operation

Table 34. Register address byte (SPI)

| Bit | Name | Function |
|-----|------------------|---|
| 7 | R \overline{W} | 1: read from UART 0: write to UART |
| 6:3 | A[3:0] | UART's internal register select |
| 2:1 | CH1, CH0 | channel select: CH1 = 0, CH0 = 0 Other values are reserved and should not be used. |
| 0 | - | not used |

12. Limiting values

Table 35. Limiting values

In accordance with the Absolute Maximum Rating System (IEC 60134).

| Symbol | Parameter | Conditions | Min | Max | Unit |
|------------------|------------------------------|---------------------------------|------|---------------------|------|
| V _{DD} | supply voltage | | -0.3 | +4.6 | V |
| V _I | input voltage | any input | -0.3 | +5.5 ^[1] | V |
| I _I | input current | any input | -10 | +10 | mA |
| I _O | output current | any output | -10 | +10 | mA |
| P _{tot} | total power dissipation | | - | 300 | mW |
| P/out | power dissipation per output | | - | 50 | mW |
| T _{amb} | ambient temperature | operating | | | |
| | | V _{DD} = 2.5 V ± 0.2 V | -40 | +85 | °C |
| | | V _{DD} = 3.3 V ± 0.3 V | -40 | +95 | °C |
| T _j | junction temperature | | - | +125 | °C |
| T _{stg} | storage temperature | | -65 | +150 | °C |

[1] 5.5 V steady state voltage tolerance on inputs and outputs is valid only when the supply voltage is present.
4.6 V steady state voltage tolerance on inputs and outputs when no supply voltage is present.

13. Static characteristics

Table 36. Static characteristics

$V_{DD} = 2.5\text{ V} \pm 0.2\text{ V}$, $T_{amb} = -40\text{ }^{\circ}\text{C}$ to $+85\text{ }^{\circ}\text{C}$; or $V_{DD} = 3.3\text{ V} \pm 0.3\text{ V}$, $T_{amb} = -40\text{ }^{\circ}\text{C}$ to $+95\text{ }^{\circ}\text{C}$; unless otherwise specified.

| Symbol | Parameter | Conditions | $V_{DD} = 2.5\text{ V}$ | | $V_{DD} = 3.3\text{ V}$ | | Unit |
|---|---------------------------|--|-------------------------|--------------------|-------------------------|--------------------|---------------|
| | | | Min | Max | Min | Max | |
| Supplies | | | | | | | |
| V_{DD} | supply voltage | | 2.3 | 2.7 | 3.0 | 3.6 | V |
| I_{DD} | supply current | operating; no load | - | 6.0 | - | 6.0 | mA |
| Inputs I²C/SPI, RX, CTS | | | | | | | |
| V_{IH} | HIGH-level input voltage | | 1.6 | 5.5 ^[1] | 2.0 | 5.5 ^[1] | V |
| V_{IL} | LOW-level input voltage | | - | 0.6 | - | 0.8 | V |
| I_L | leakage current | input; $V_I = 0\text{ V}$ or 5.5 V ^[1] | - | 1 | - | 1 | μA |
| C_i | input capacitance | | - | 3 | - | 3 | pF |
| Outputs TX, RTS, SO | | | | | | | |
| V_{OH} | HIGH-level output voltage | $I_{OH} = -400\text{ }\mu\text{A}$ | 1.85 | - | - | - | V |
| | | $I_{OH} = -4\text{ mA}$ | - | - | 2.4 | - | V |
| V_{OL} | LOW-level output voltage | $I_{OL} = 1.6\text{ mA}$ | - | 0.4 | - | - | V |
| | | $I_{OL} = 4\text{ mA}$ | - | - | - | 0.4 | V |
| C_o | output capacitance | | - | 4 | - | 4 | pF |
| Inputs/outputs GPIO0 to GPIO7 (SC16IS750 and SC16IS760 only) | | | | | | | |
| V_{IH} | HIGH-level input voltage | | 1.6 | 5.5 ^[1] | 2.0 | 5.5 ^[1] | V |
| V_{IL} | LOW-level input voltage | | - | 0.6 | - | 0.8 | V |
| V_{OH} | HIGH-level output voltage | $I_{OH} = -400\text{ }\mu\text{A}$ | 1.85 | - | - | - | V |
| | | $I_{OH} = -4\text{ mA}$ | - | - | 2.4 | - | V |
| V_{OL} | LOW-level output voltage | $I_{OL} = 1.6\text{ mA}$ | - | 0.4 | - | - | V |
| | | $I_{OL} = 4\text{ mA}$ | - | - | - | 0.4 | V |
| I_L | leakage current | input; $V_I = 0\text{ V}$ or 5.5 V ^[1] | - | 1 | - | 1 | μA |
| C_o | output capacitance | | - | 4 | - | 4 | pF |
| R_{PU} | pull-up resistance | active pull-up resistor | 3.94 | 4.91 | 3.02 | 3.63 | M Ω |
| Output IRQ | | | | | | | |
| V_{OL} | LOW-level output voltage | $I_{OL} = 1.6\text{ mA}$ | - | 0.4 | - | - | V |
| | | $I_{OL} = 4\text{ mA}$ | - | - | - | 0.4 | V |
| C_o | output capacitance | | - | 4 | - | 4 | pF |
| I²C-bus input/output SDA | | | | | | | |
| V_{IH} | HIGH-level input voltage | | 1.6 | 5.5 ^[1] | 2.0 | 5.5 ^[1] | V |
| V_{IL} | LOW-level input voltage | | - | 0.6 | - | 0.8 | V |
| V_{OL} | LOW-level output voltage | $I_{OL} = 1.6\text{ mA}$ | - | 0.4 | - | - | V |
| | | $I_{OL} = 4\text{ mA}$ | - | - | - | 0.4 | V |
| I_L | leakage current | input; $V_I = 0\text{ V}$ or 5.5 V ^[1] | - | 10 | - | 10 | μA |
| C_o | output capacitance | | - | 7 | - | 7 | pF |

Table 36. Static characteristics ...continued

$V_{DD} = 2.5\text{ V} \pm 0.2\text{ V}$, $T_{amb} = -40\text{ °C to }+85\text{ °C}$; or $V_{DD} = 3.3\text{ V} \pm 0.3\text{ V}$, $T_{amb} = -40\text{ °C to }+95\text{ °C}$; unless otherwise specified.

| Symbol | Parameter | Conditions | V _{DD} = 2.5 V | | V _{DD} = 3.3 V | | Unit |
|---|---------------------------|---|-------------------------|--------------------|-------------------------|--------------------|------|
| | | | Min | Max | Min | Max | |
| I²C-bus inputs SCL, $\overline{\text{CS/A0}}$, SI/A1 | | | | | | | |
| V _{IH} | HIGH-level input voltage | | 1.6 | 5.5 ^[1] | 2.0 | 5.5 ^[1] | V |
| V _{IL} | LOW-level input voltage | | - | 0.6 | - | 0.8 | V |
| I _L | leakage current | input; V _I = 0 V or 5.5 V ^[1] | - | 10 | - | 10 | μA |
| C _i | input capacitance | | - | 7 | - | 7 | pF |
| Clock input XTAL1^[2] | | | | | | | |
| V _{IH} | HIGH-level input voltage | | 1.8 | 5.5 ^[1] | 2.4 | 5.5 ^[1] | V |
| V _{IL} | LOW-level input voltage | | - | 0.45 | - | 0.6 | V |
| I _L | leakage current | input; V _I = 0 V or 5.5 V ^[1] | -30 | +30 | -30 | +30 | μA |
| C _i | input capacitance | | - | 3 | - | 3 | pF |
| Sleep current | | | | | | | |
| I _{DD(sleep)} | sleep mode supply current | inputs are at V _{DD} or ground | - | 30 | - | 30 | μA |

[1] 5.5 V steady state voltage tolerance on inputs and outputs is valid only when the supply voltage is present. 3.8 V steady state voltage tolerance on inputs and outputs when no supply voltage is present.

[2] XTAL2 should be left open when XTAL1 is driven by an external clock.

14. Dynamic characteristics

Table 37. I²C-bus timing specifications^[1]

All the timing limits are valid within the operating supply voltage, ambient temperature range and output load; $V_{DD} = 2.5\text{ V} \pm 0.2\text{ V}$, $T_{amb} = -40\text{ °C}$ to $+85\text{ °C}$; or $V_{DD} = 3.3\text{ V} \pm 0.3\text{ V}$, $T_{amb} = -40\text{ °C}$ to $+95\text{ °C}$; and refer to V_{IL} and V_{IH} with an input voltage of V_{SS} to V_{DD} . All output load = 25 pF, except SDA output load = 400 pF.

| Symbol | Parameter | Conditions | Standard mode I ² C-bus | | Fast mode I ² C-bus | | Unit |
|---------------------|---|---------------------------|------------------------------------|------|--------------------------------|-----|------|
| | | | Min | Max | Min | Max | |
| f _{SCL} | SCL clock frequency | ^[2] | 0 | 100 | 0 | 400 | kHz |
| t _{BUF} | bus free time between a STOP and START condition | | 4.7 | - | 1.3 | - | μs |
| t _{HD;STA} | hold time (repeated) START condition | | 4.0 | - | 0.6 | - | μs |
| t _{SU;STA} | set-up time for a repeated START condition | | 4.7 | - | 0.6 | - | μs |
| t _{SU;STO} | set-up time for STOP condition | | 4.7 | - | 0.6 | - | μs |
| t _{HD;DAT} | data hold time | | 0 | - | 0 | - | ns |
| t _{VD;ACK} | data valid acknowledge time | | - | 0.6 | - | 0.6 | μs |
| t _{VD;DAT} | data valid time | SCL LOW to data out valid | - | 0.6 | - | 0.6 | ns |
| t _{SU;DAT} | data set-up time | | 250 | - | 150 | - | ns |
| t _{LOW} | LOW period of the SCL clock | | 4.7 | - | 1.3 | - | μs |
| t _{HIGH} | HIGH period of the SCL clock | | 4.0 | - | 0.6 | - | μs |
| t _f | fall time of both SDA and SCL signals | | - | 300 | - | 300 | ns |
| t _r | rise time of both SDA and SCL signals | | - | 1000 | - | 300 | ns |
| t _{SP} | pulse width of spikes that must be suppressed by the input filter | | - | 50 | - | 50 | ns |
| t _{d1} | I ² C-bus GPIO output valid time | ^[3] | 0.5 | - | 0.5 | - | μs |
| t _{d2} | I ² C-bus modem input interrupt valid time | | 0.2 | - | 0.2 | - | μs |
| t _{d3} | I ² C-bus modem input interrupt clear time | | 0.2 | - | 0.2 | - | μs |
| t _{d4} | I ² C input pin interrupt valid time | | 0.2 | - | 0.2 | - | μs |
| t _{d5} | I ² C input pin interrupt clear time | | 0.2 | - | 0.2 | - | μs |
| t _{d6} | I ² C-bus receive interrupt valid time | | 0.2 | - | 0.2 | - | μs |
| t _{d7} | I ² C-bus receive interrupt clear time | | 0.2 | - | 0.2 | - | μs |
| t _{d8} | I ² C-bus transmit interrupt clear time | | 1.0 | - | 0.5 | - | μs |
| t _{d15} | SCL delay time after reset | ^[4] | 3 | - | 3 | - | μs |
| t _{w(rst)} | reset pulse width | | 3 | - | 3 | - | μs |

[1] A detailed description of the I²C-bus specification, with applications, is given in user manual UM10204: "I²C-bus specification and user manual". This may be found at www.nxp.com/documents/user_manual/UM10204.pdf.

[2] Minimum SCL clock frequency is limited by the bus time-out feature, which resets the serial bus interface if SDA is held LOW for a minimum of 25 ms.

[3] Only applicable to the SC16IS750 and SC16IS760.

[4] 2 XTAL1 clocks or 3 μs, whichever is less.

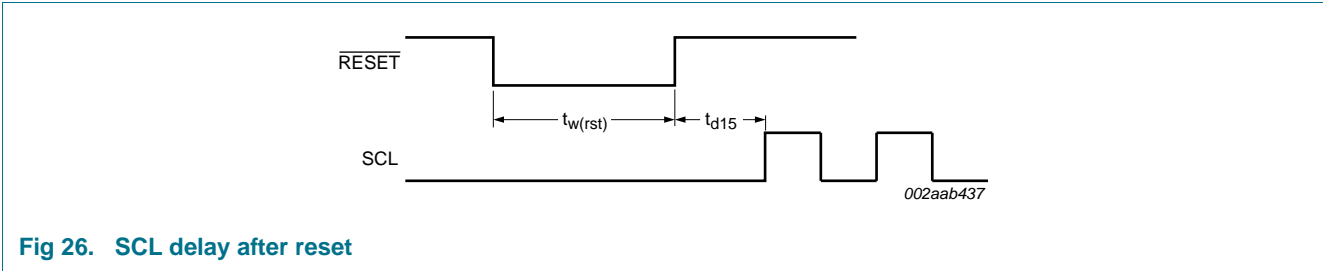
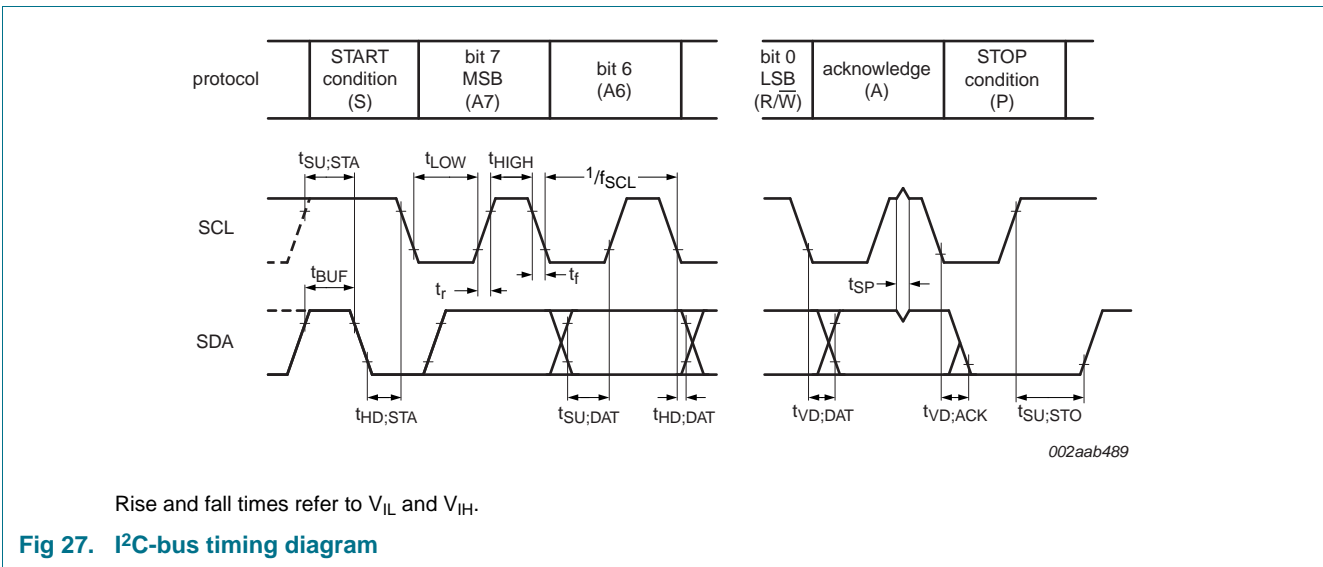


Fig 26. SCL delay after reset



Rise and fall times refer to V_{IL} and V_{IH} .

Fig 27. I²C-bus timing diagram

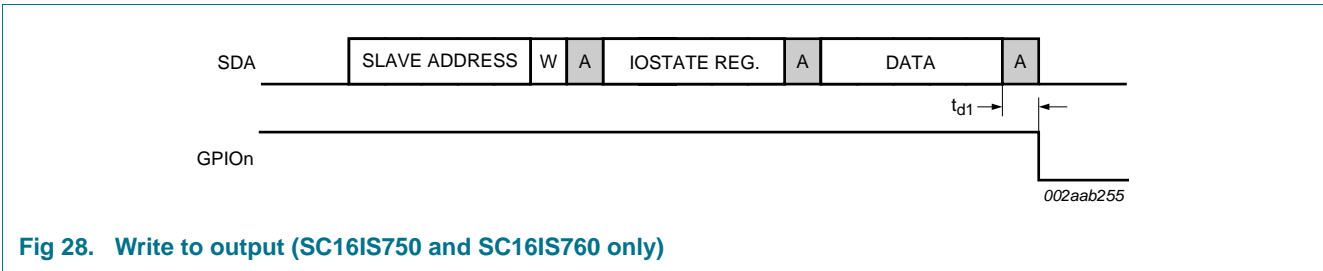


Fig 28. Write to output (SC16IS750 and SC16IS760 only)

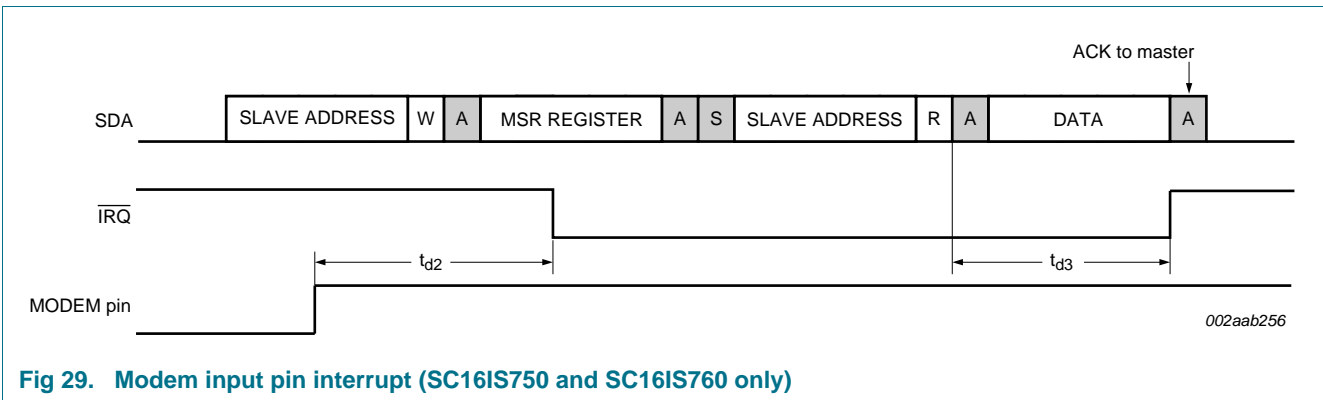


Fig 29. Modem input pin interrupt (SC16IS750 and SC16IS760 only)

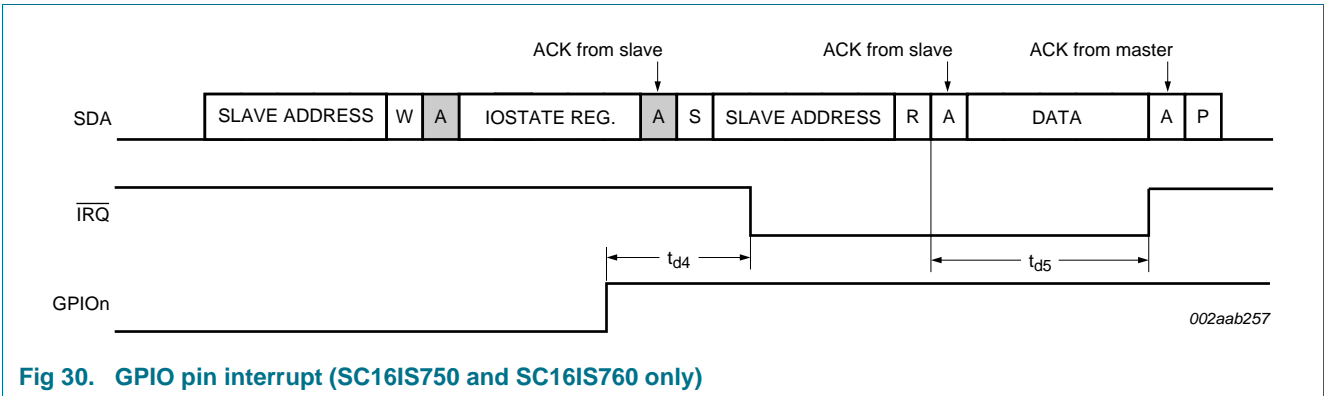


Fig 30. GPIO pin interrupt (SC16IS750 and SC16IS760 only)

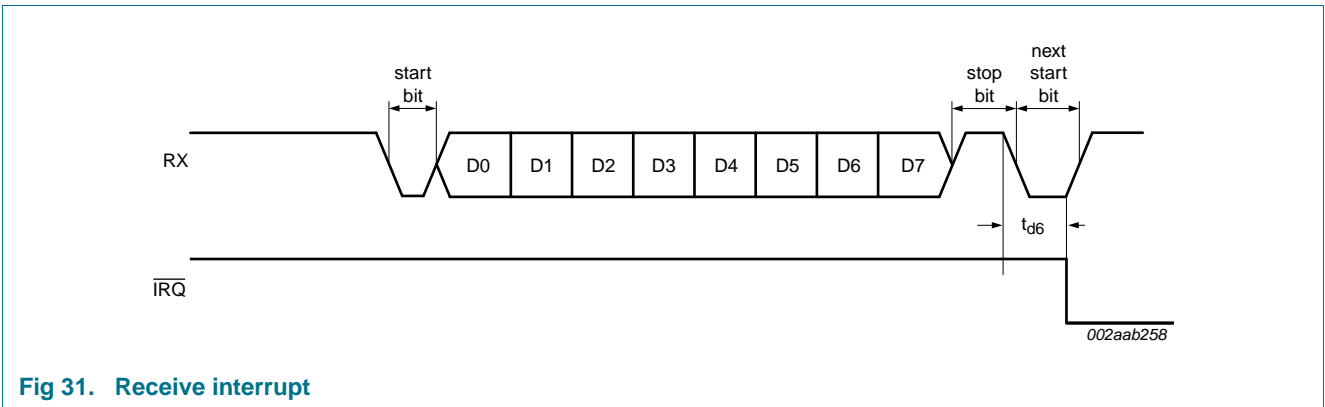


Fig 31. Receive interrupt

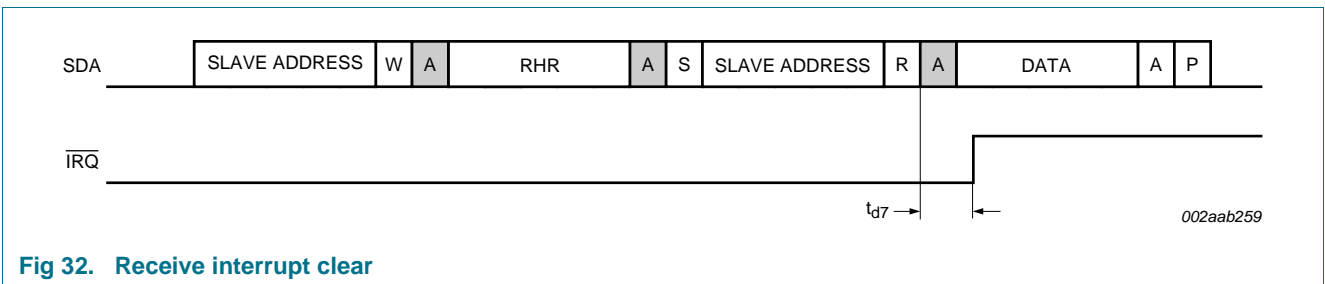


Fig 32. Receive interrupt clear

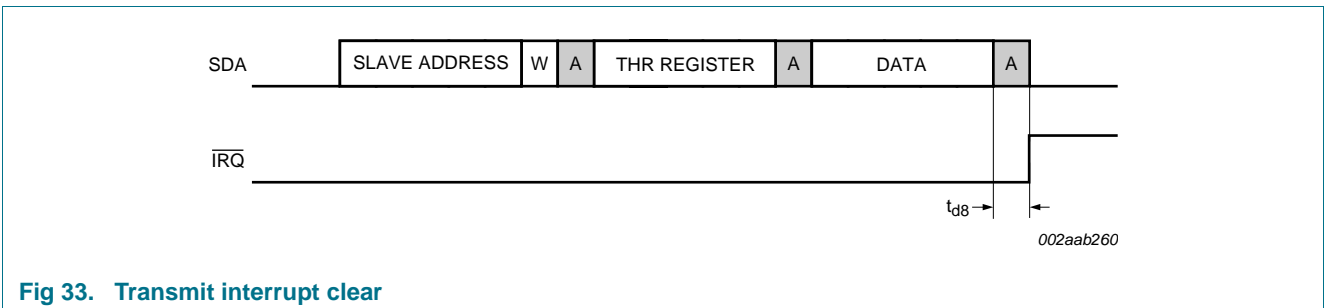


Fig 33. Transmit interrupt clear

Table 38. f_{XTAL} dynamic characteristics

V_{DD} = 2.5 V ± 0.2 V, T_{amb} = -40 °C to +85 °C; or V_{DD} = 3.3 V ± 0.3 V, T_{amb} = -40 °C to +95 °C

| Symbol | Parameter | Conditions | V _{DD} = 2.5 V | | V _{DD} = 3.3 V | | Unit |
|-------------------|-----------------------|------------|-------------------------|-------|-------------------------|-----|------|
| | | | Min | Max | Min | Max | |
| t _{w1} | clock pulse duration | | 10 | - | 6 | - | ns |
| t _{w2} | clock pulse duration | | 10 | - | 6 | - | ns |
| f _{XTAL} | frequency on pin XTAL | [1][2] | - | 48[3] | - | 80 | MHz |

[1] Applies to external clock, crystal oscillator max. 24 MHz.

[2] $f_{XTAL} = \frac{1}{t_{w3}}$

[3] ±100 ppm is recommended.

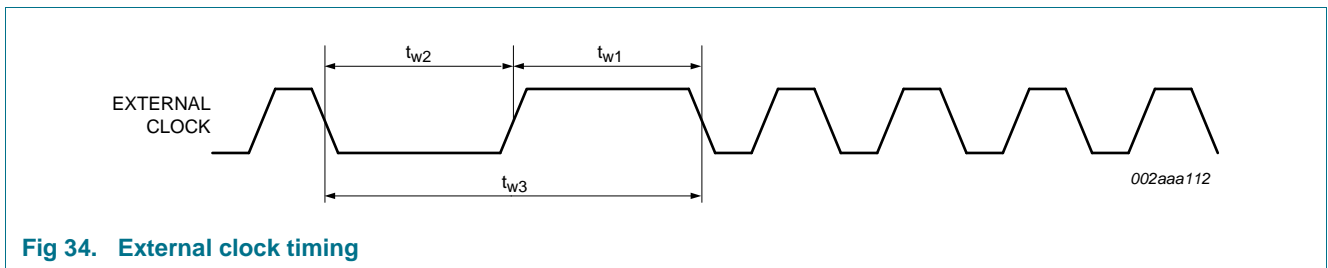


Fig 34. External clock timing

Table 39. SC16IS740/750 SPI-bus timing specifications

All the timing limits are valid within the operating supply voltage, ambient temperature range and output load; V_{DD} = 2.5 V ± 0.2 V, T_{amb} = -40 °C to +85 °C; or V_{DD} = 3.3 V ± 0.3 V, T_{amb} = -40 °C to +95 °C; and refer to V_{IL} and V_{IH} with an input voltage of V_{SS} to V_{DD}. All output load = 25 pF, unless otherwise specified.

| Symbol | Parameter | Conditions | Min | Typ | Max | Unit |
|---------------------|---|-----------------------------------|-----|-----|-----|------|
| t _{TR} | \overline{CS} HIGH to SO 3-state delay time | C _L = 100 pF | - | - | 100 | ns |
| t _{CSS} | \overline{CS} to SCLK setup time | | 100 | - | - | ns |
| t _{CSSH} | \overline{CS} to SCLK hold time | | 20 | - | - | ns |
| t _{DO} | SCLK fall to SO valid delay time | C _L = 100 pF | - | - | 100 | ns |
| t _{DS} | SI to SCLK setup time | | 100 | - | - | ns |
| t _{DH} | SI to SCLK hold time | | 20 | - | - | ns |
| t _{CP} | SCLK period | t _{CL} + t _{CH} | 250 | - | - | ns |
| t _{CH} | SCLK HIGH time | | 100 | - | - | ns |
| t _{CL} | SCLK LOW time | | 100 | - | - | ns |
| t _{CSSW} | \overline{CS} HIGH pulse width | | 200 | - | - | ns |
| t _{d9} | SPI output data valid time | | 200 | - | - | ns |
| t _{d10} | SPI modem output data valid time | | 200 | - | - | ns |
| t _{d11} | SPI transmit interrupt clear time | | 200 | - | - | ns |
| t _{d12} | SPI modem input interrupt clear time | | 200 | - | - | ns |
| t _{d13} | SPI interrupt clear time | | 200 | - | - | ns |
| t _{d14} | SPI receive interrupt clear time | | 200 | - | - | ns |
| t _{w(rst)} | reset pulse width | | 3 | - | - | µs |

Table 40. SC16IS760 SPI-bus timing specifications

All the timing limits are valid within the operating supply voltage, ambient temperature range and output load;
 $V_{DD} = 2.5\text{ V} \pm 0.2\text{ V}$, $T_{amb} = -40\text{ }^{\circ}\text{C}$ to $+85\text{ }^{\circ}\text{C}$; or $V_{DD} = 3.3\text{ V} \pm 0.3\text{ V}$, $T_{amb} = -40\text{ }^{\circ}\text{C}$ to $+95\text{ }^{\circ}\text{C}$ and refer to V_{IL} and V_{IH} with an input voltage of V_{SS} to V_{DD} . All output load = 25 pF, unless otherwise specified.

| Symbol | Parameter | Conditions | V _{DD} = 2.5 V | | V _{DD} = 3.3 V | | Unit |
|---------------------|--|-----------------------------------|-------------------------|-----|-------------------------|-----|------|
| | | | Min | Max | Min | Max | |
| t _{TR} | $\overline{\text{CS}}$ HIGH to SO 3-state delay time | C _L = 100 pF | - | 100 | - | 100 | ns |
| t _{CSS} | $\overline{\text{CS}}$ to SCLK setup time | | 100 | - | 100 | - | ns |
| t _{CSH} | $\overline{\text{CS}}$ to SCLK hold time | | 5 | - | 5 | - | ns |
| t _{DO} | SCLK fall to SO valid delay time | C _L = 100 pF | - | 25 | - | 20 | ns |
| t _{DS} | SI to SCLK setup time | | 10 | - | 10 | - | ns |
| t _{DH} | SI to SCLK hold time | | 10 | - | 10 | - | ns |
| t _{CP} | SCLK period | t _{CL} + t _{CH} | 83 | - | 67 | - | ns |
| t _{CH} | SCLK HIGH time | | 30 | - | 25 | - | ns |
| t _{CL} | SCLK LOW time | | 30 | - | 25 | - | ns |
| t _{CSW} | $\overline{\text{CS}}$ HIGH pulse width | | 200 | - | 200 | - | ns |
| t _{d9} | SPI output data valid time | | 200 | - | 200 | - | ns |
| t _{d10} | SPI modem output data valid time | | 200 | - | 200 | - | ns |
| t _{d11} | SPI transmit interrupt clear time | | 200 | - | 200 | - | ns |
| t _{d12} | SPI modem input interrupt clear time | | 200 | - | 200 | - | ns |
| t _{d13} | SPI interrupt clear time | | 200 | - | 200 | - | ns |
| t _{d14} | SPI receive interrupt clear time | | 200 | - | 200 | - | ns |
| t _{w(rst)} | reset pulse width | | 3 | - | 3 | - | μs |

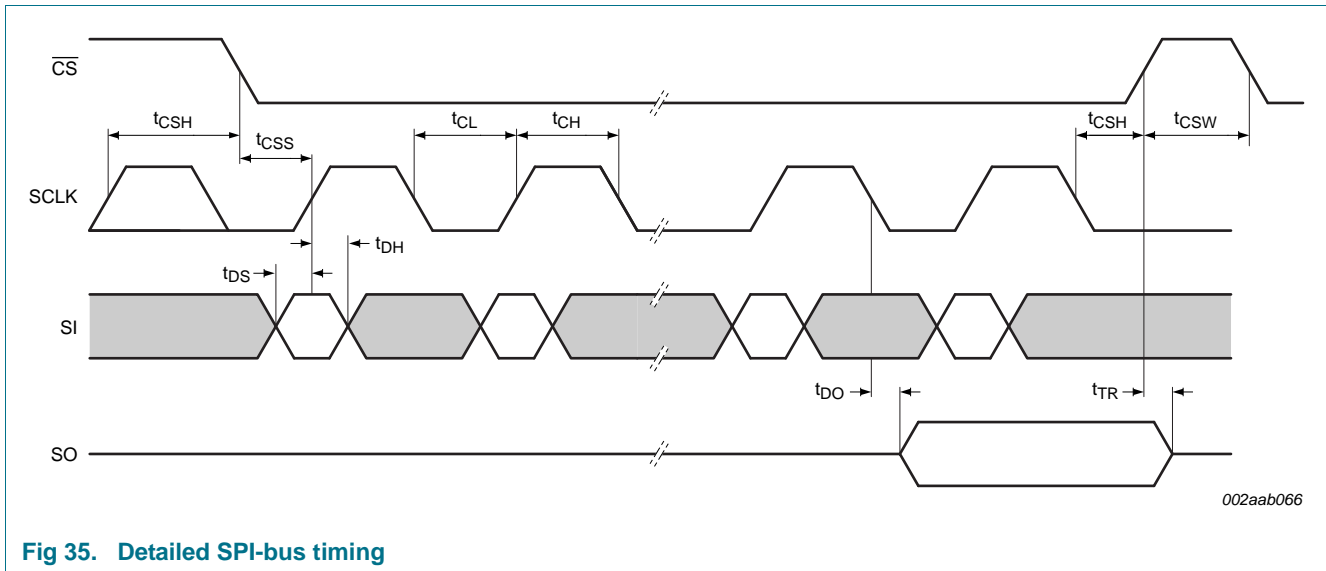
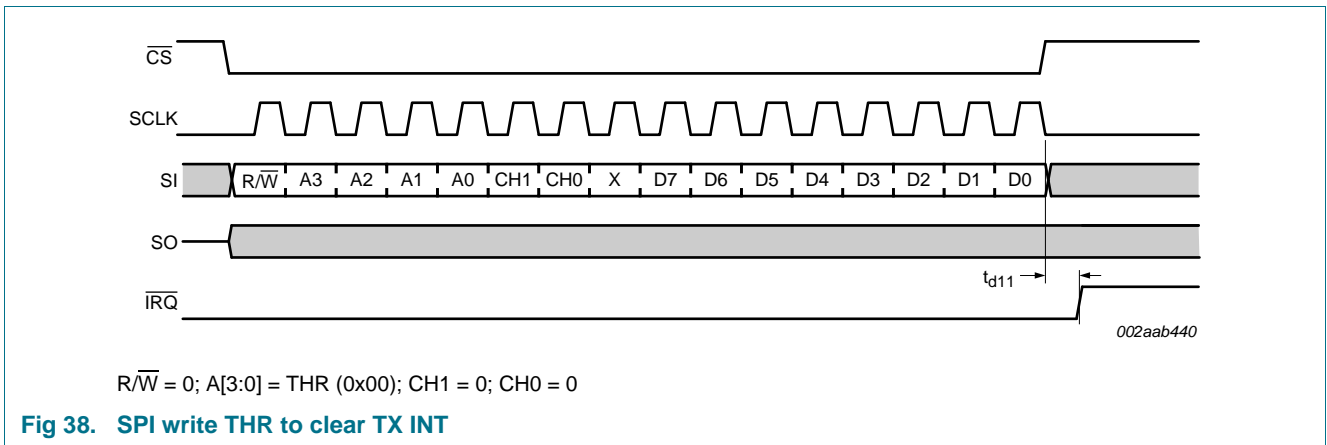
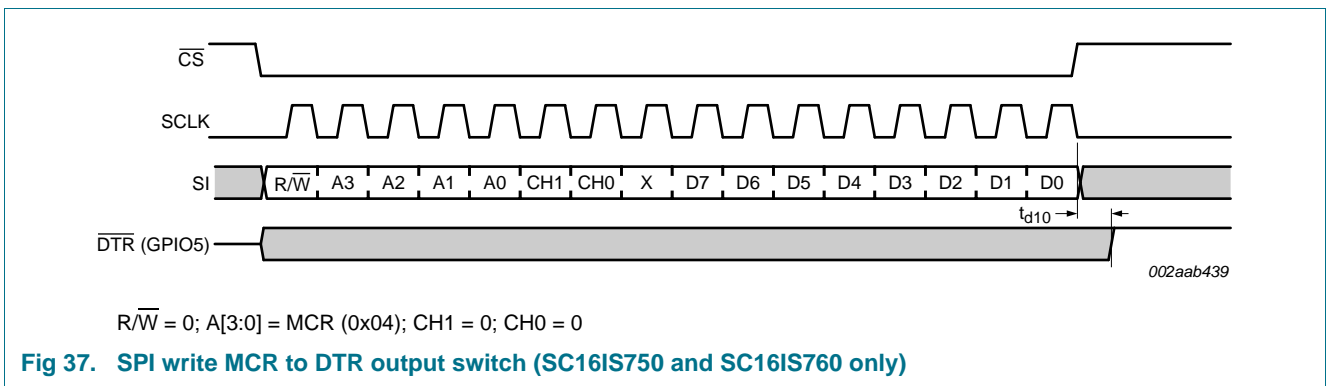
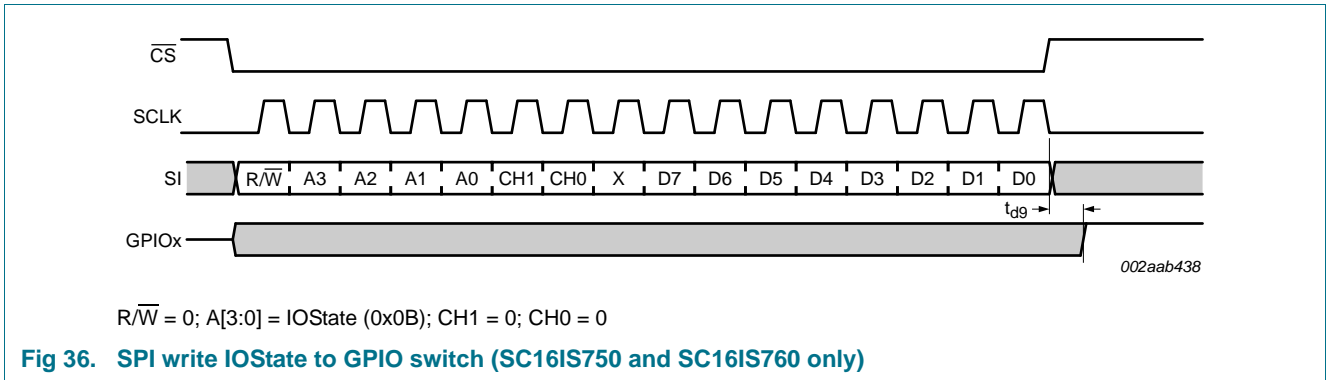
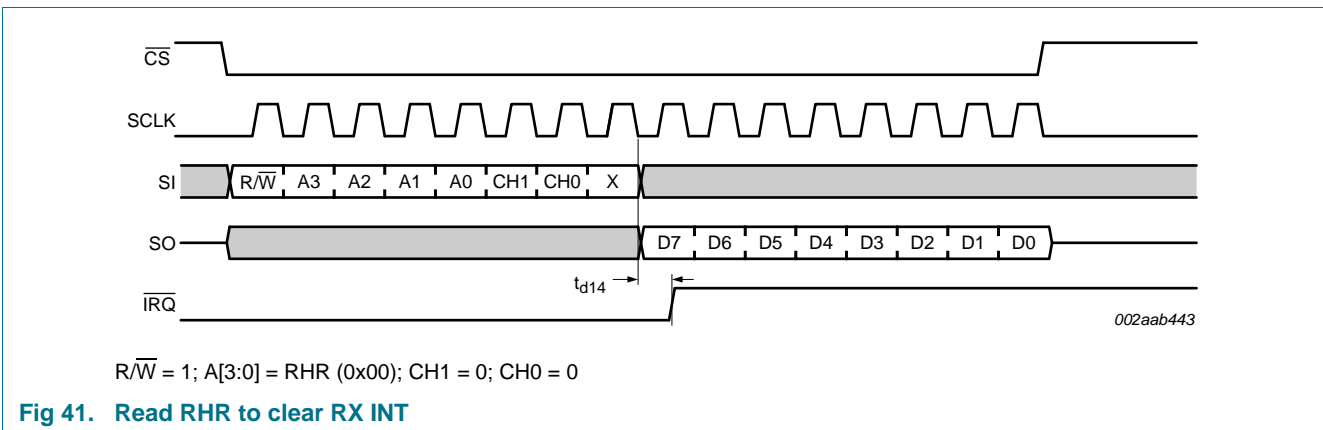
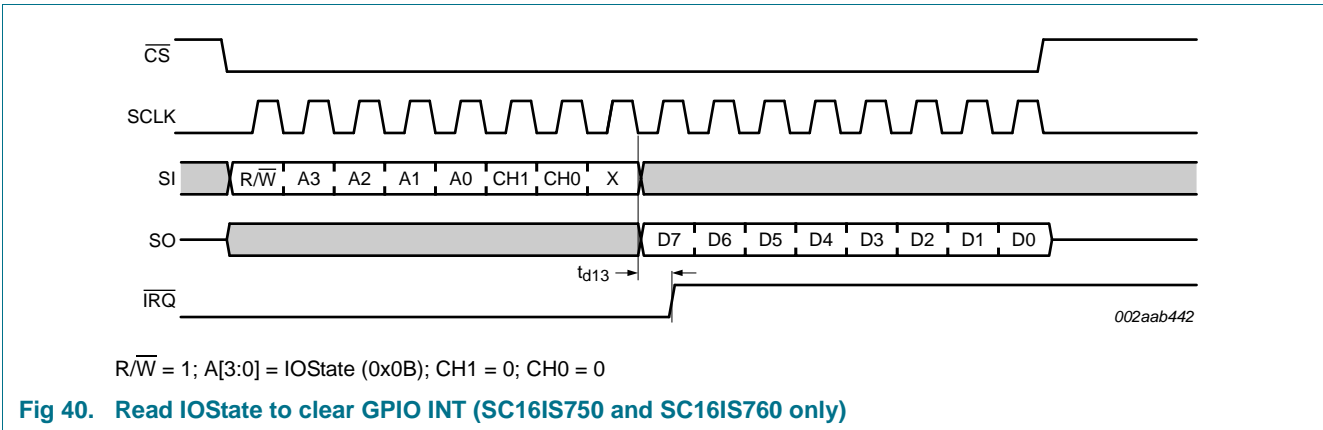
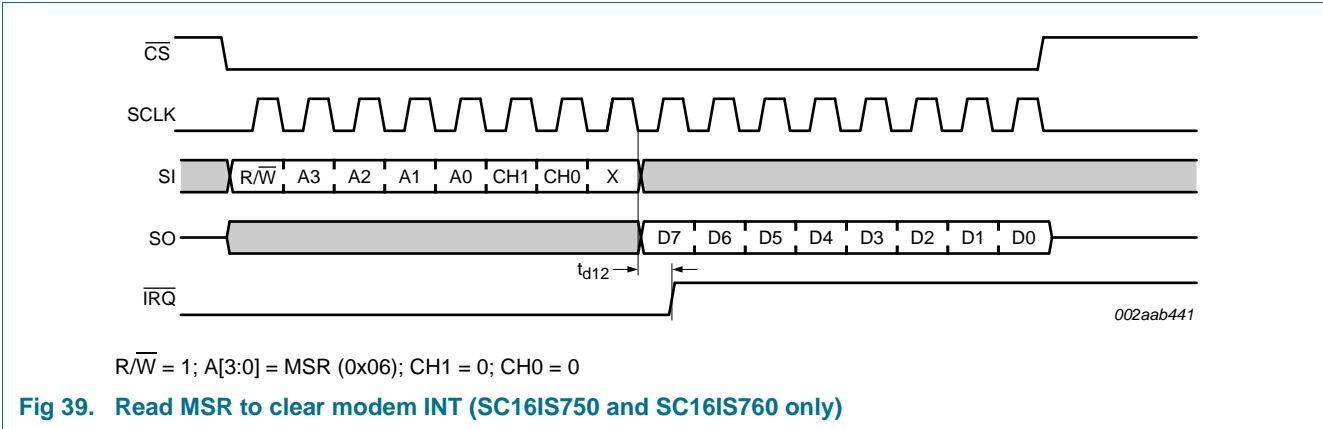


Fig 35. Detailed SPI-bus timing





15. Package outline

TSSOP16: plastic thin shrink small outline package; 16 leads; body width 4.4 mm

SOT403-1

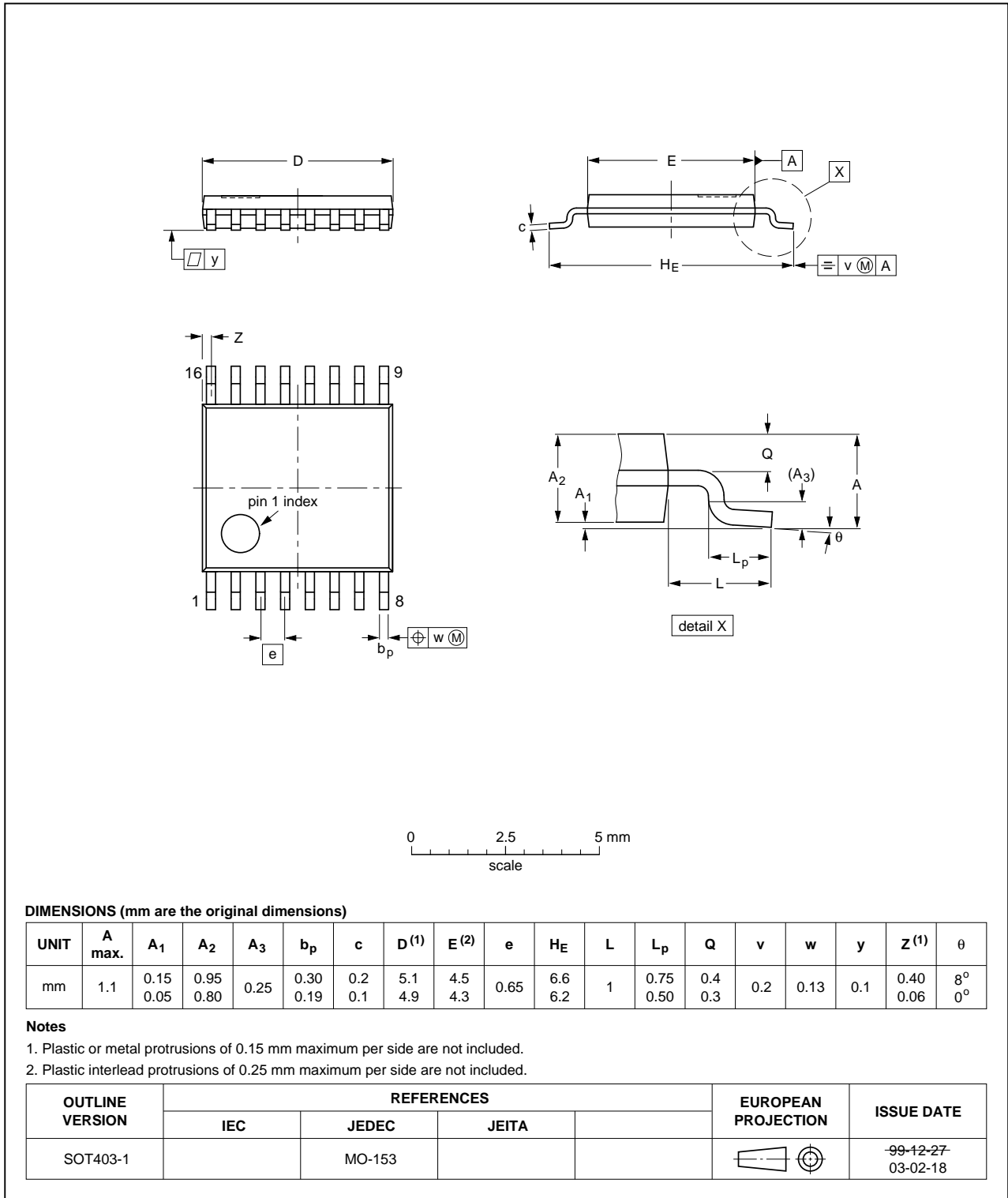


Fig 42. Package outline SOT403-1 (TSSOP16)

HVQFN24: plastic thermal enhanced very thin quad flat package; no leads;
24 terminals; body 4 x 4 x 0.85 mm

SOT616-3

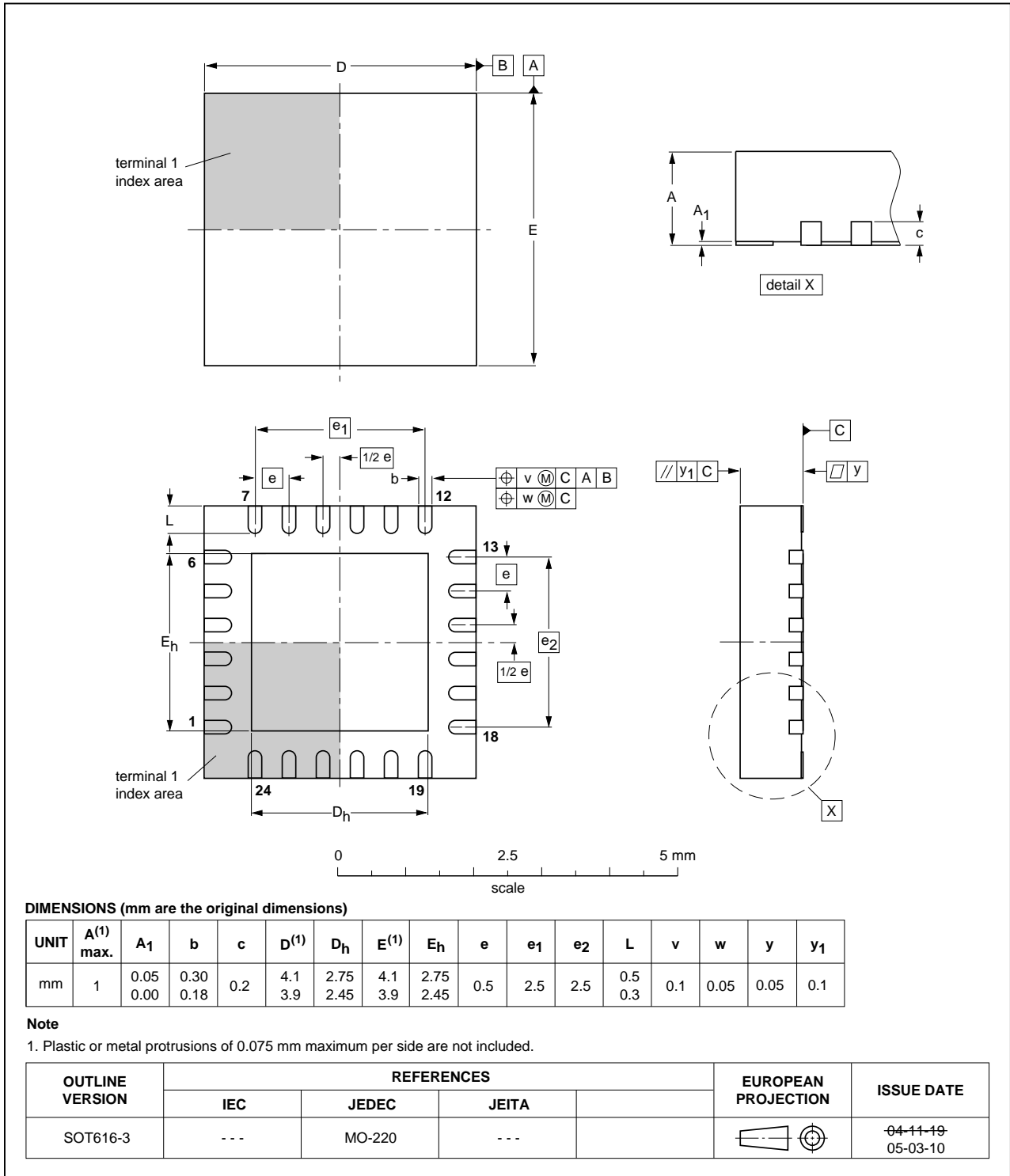


Fig 43. Package outline SOT616-3 (HVQFN24)

TSSOP24: plastic thin shrink small outline package; 24 leads; body width 4.4 mm

SOT355-1

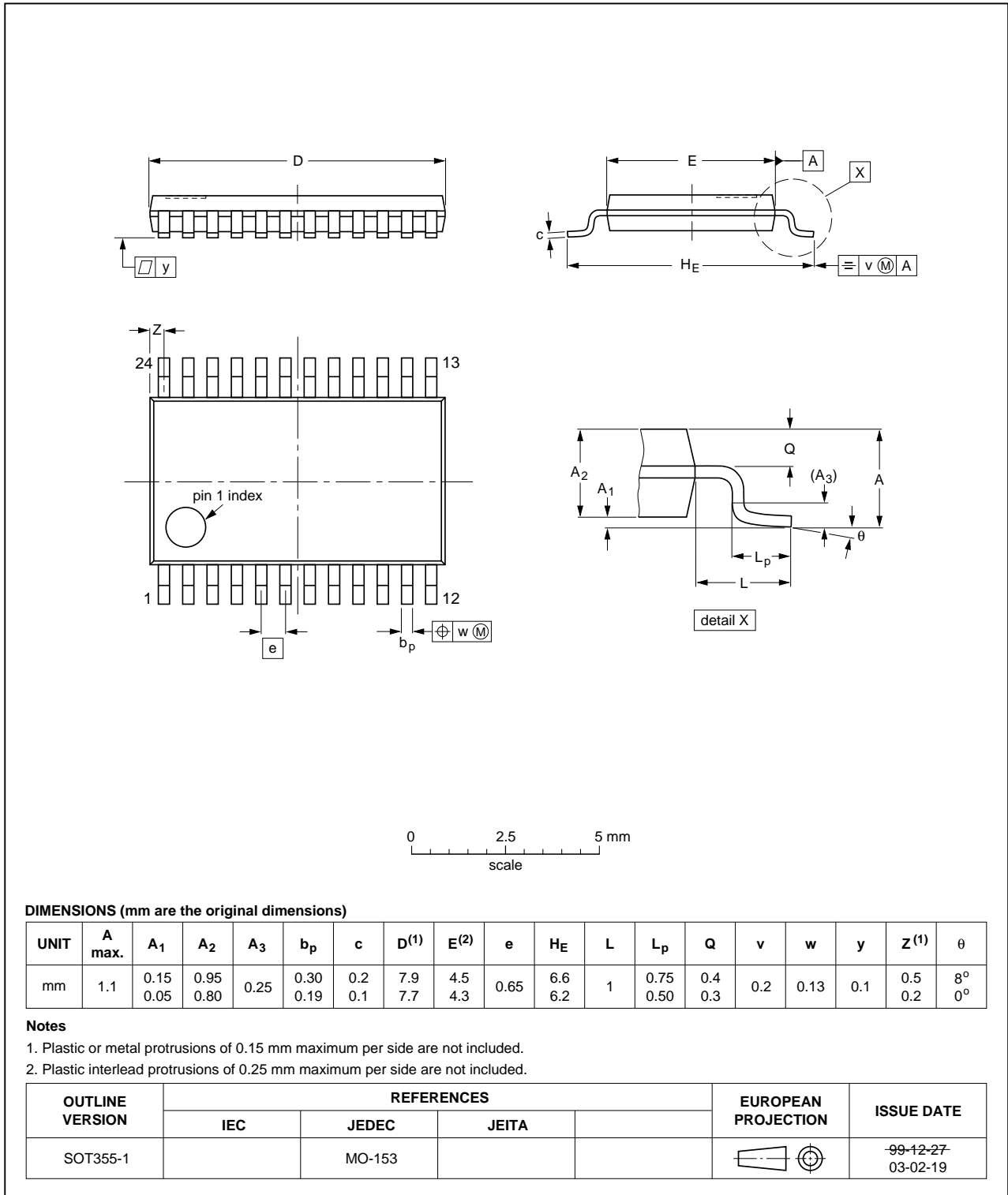


Fig 44. Package outline SOT355-1 (TSSOP24)

16. Handling information

All input and output pins are protected against ElectroStatic Discharge (ESD) under normal handling. When handling ensure that the appropriate precautions are taken as described in *JESD625-A* or equivalent standards.

17. Soldering of SMD packages

This text provides a very brief insight into a complex technology. A more in-depth account of soldering ICs can be found in Application Note *AN10365 "Surface mount reflow soldering description"*.

17.1 Introduction to soldering

Soldering is one of the most common methods through which packages are attached to Printed Circuit Boards (PCBs), to form electrical circuits. The soldered joint provides both the mechanical and the electrical connection. There is no single soldering method that is ideal for all IC packages. Wave soldering is often preferred when through-hole and Surface Mount Devices (SMDs) are mixed on one printed wiring board; however, it is not suitable for fine pitch SMDs. Reflow soldering is ideal for the small pitches and high densities that come with increased miniaturization.

17.2 Wave and reflow soldering

Wave soldering is a joining technology in which the joints are made by solder coming from a standing wave of liquid solder. The wave soldering process is suitable for the following:

- Through-hole components
- Leaded or leadless SMDs, which are glued to the surface of the printed circuit board

Not all SMDs can be wave soldered. Packages with solder balls, and some leadless packages which have solder lands underneath the body, cannot be wave soldered. Also, leaded SMDs with leads having a pitch smaller than ~0.6 mm cannot be wave soldered, due to an increased probability of bridging.

The reflow soldering process involves applying solder paste to a board, followed by component placement and exposure to a temperature profile. Leaded packages, packages with solder balls, and leadless packages are all reflow solderable.

Key characteristics in both wave and reflow soldering are:

- Board specifications, including the board finish, solder masks and vias
- Package footprints, including solder thieves and orientation
- The moisture sensitivity level of the packages
- Package placement
- Inspection and repair
- Lead-free soldering versus SnPb soldering

17.3 Wave soldering

Key characteristics in wave soldering are:

- Process issues, such as application of adhesive and flux, clinching of leads, board transport, the solder wave parameters, and the time during which components are exposed to the wave
- Solder bath specifications, including temperature and impurities

17.4 Reflow soldering

Key characteristics in reflow soldering are:

- Lead-free versus SnPb soldering; note that a lead-free reflow process usually leads to higher minimum peak temperatures (see [Figure 45](#)) than a SnPb process, thus reducing the process window
- Solder paste printing issues including smearing, release, and adjusting the process window for a mix of large and small components on one board
- Reflow temperature profile; this profile includes preheat, reflow (in which the board is heated to the peak temperature) and cooling down. It is imperative that the peak temperature is high enough for the solder to make reliable solder joints (a solder paste characteristic). In addition, the peak temperature must be low enough that the packages and/or boards are not damaged. The peak temperature of the package depends on package thickness and volume and is classified in accordance with [Table 41](#) and [42](#)

Table 41. SnPb eutectic process (from J-STD-020C)

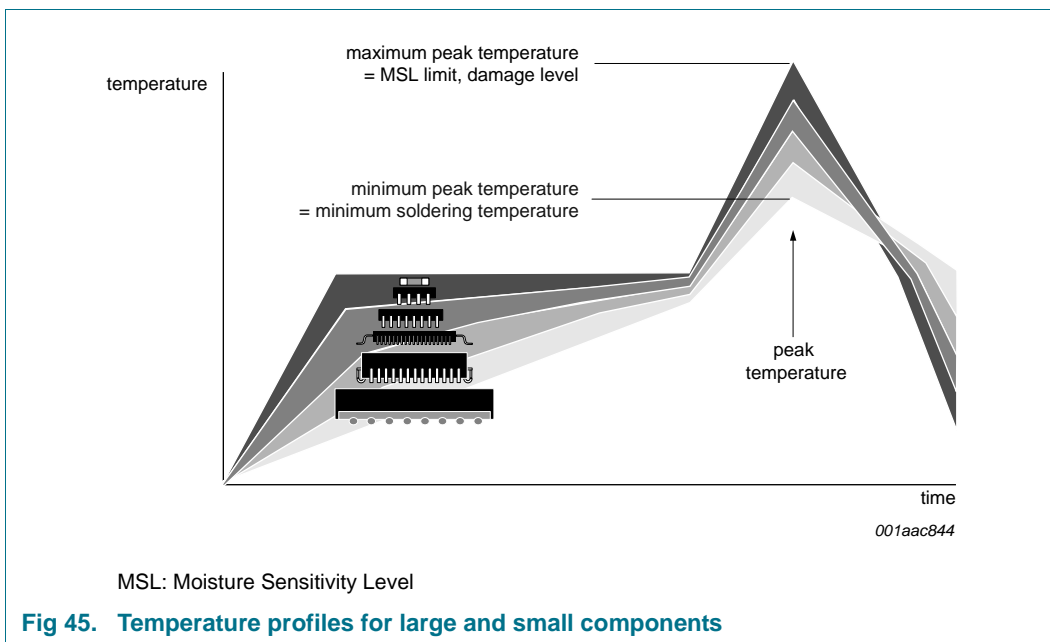
| Package thickness (mm) | Package reflow temperature (°C) | |
|------------------------|---------------------------------|-------|
| | Volume (mm ³) | |
| | < 350 | ≥ 350 |
| < 2.5 | 235 | 220 |
| ≥ 2.5 | 220 | 220 |

Table 42. Lead-free process (from J-STD-020C)

| Package thickness (mm) | Package reflow temperature (°C) | | |
|------------------------|---------------------------------|-------------|--------|
| | Volume (mm ³) | | |
| | < 350 | 350 to 2000 | > 2000 |
| < 1.6 | 260 | 260 | 260 |
| 1.6 to 2.5 | 260 | 250 | 245 |
| > 2.5 | 250 | 245 | 245 |

Moisture sensitivity precautions, as indicated on the packing, must be respected at all times.

Studies have shown that small packages reach higher temperatures during reflow soldering, see [Figure 45](#).



For further information on temperature profiles, refer to Application Note AN10365 “Surface mount reflow soldering description”.

18. Abbreviations

Table 43. Abbreviations

| Acronym | Description |
|----------------------|---|
| CPU | Central Processing Unit |
| FIFO | First In, First Out |
| GPIO | General Purpose Input/Output |
| I ² C-bus | Inter IC bus |
| IrDA | Infrared Data Association |
| LCD | Liquid Crystal Display |
| MIR | Medium InfraRed |
| POR | Power-On Reset |
| SIR | Serial InfraRed |
| SPI | Serial Peripheral Interface |
| UART | Universal Asynchronous Receiver/Transmitter |

19. Revision history

Table 44. Revision history

| Document ID | Release date | Data sheet status | Change notice | Supersedes |
|---|---|--------------------|---------------|-----------------------|
| SC16IS740_750_760 v.7 | 20110609 | Product data sheet | - | SC16IS740_750_760 v.6 |
| Modifications: | <ul style="list-style-type: none"> • Table 1 “Ordering information”: <ul style="list-style-type: none"> – Added type number SC16IS740IPW/Q900. – Added new Table note 1. • Figure 5 “Pin configuration for TSSOP16”: added type number SC16IS740IPW/Q900 • Table 2 “Pin description”: added (new) Table note [2] and references to it at GPIO0 to GPIO7. • Added (new) Section 7.4.2 “Power-on sequence”. • Section 7.6 “Sleep mode”: added second, third, and fourth paragraphs following first “Remark”. • Section 7.8 “Programmable baud rate generator”: added second sentence to paragraph following second “Remark”. • Table 10 “SC16IS740/750/760 internal registers”: added (new) Table note [8] and its reference at IOControl bit 3. • Added (new) Section 8.8 “Scratch Pad Register (SPR)”. • Table 36 “Static characteristics”, sub-section “Inputs/outputs GPIO0 to GPIO7”: added specification for “R_{PU}, pull-up resistance” • Table 38 “f_{X TAL} dynamic characteristics”: added (new) Table note [3] and its reference at f_{X TAL} maximum value (at V_{DD} = 2.5 V). | | | |
| SC16IS740_750_760 v.6 | 20080513 | Product data sheet | - | SC16IS740_750_760 v.5 |
| SC16IS740_750_760 v.5 | 20061116 | Product data sheet | - | SC16IS740_750_760 v.4 |
| SC16IS740_750_760 v.4 | 20061030 | Product data sheet | - | SC16IS740_750_760 v.3 |
| SC16IS740_750_760 v.3 | 20060522 | Product data sheet | - | SC16IS740_750_760 v.2 |
| SC16IS740_750_760 v.2 | 20060330 | Product data sheet | - | SC16IS740_750_760 v.1 |
| SC16IS740_750_760 v.1 (9397 750 14832) | 20060104 | Product data sheet | - | - |

20. Legal information

20.1 Data sheet status

| Document status ^{[1][2]} | Product status ^[3] | Definition |
|-----------------------------------|-------------------------------|---|
| Objective [short] data sheet | Development | This document contains data from the objective specification for product development. |
| Preliminary [short] data sheet | Qualification | This document contains data from the preliminary specification. |
| Product [short] data sheet | Production | This document contains the product specification. |

[1] Please consult the most recently issued document before initiating or completing a design.

[2] The term 'short data sheet' is explained in section "Definitions".

[3] The product status of device(s) described in this document may have changed since this document was published and may differ in case of multiple devices. The latest product status information is available on the Internet at URL <http://www.nxp.com>.

20.2 Definitions

Draft — The document is a draft version only. The content is still under internal review and subject to formal approval, which may result in modifications or additions. NXP Semiconductors does not give any representations or warranties as to the accuracy or completeness of information included herein and shall have no liability for the consequences of use of such information.

Short data sheet — A short data sheet is an extract from a full data sheet with the same product type number(s) and title. A short data sheet is intended for quick reference only and should not be relied upon to contain detailed and full information. For detailed and full information see the relevant full data sheet, which is available on request via the local NXP Semiconductors sales office. In case of any inconsistency or conflict with the short data sheet, the full data sheet shall prevail.

Product specification — The information and data provided in a Product data sheet shall define the specification of the product as agreed between NXP Semiconductors and its customer, unless NXP Semiconductors and customer have explicitly agreed otherwise in writing. In no event however, shall an agreement be valid in which the NXP Semiconductors product is deemed to offer functions and qualities beyond those described in the Product data sheet.

20.3 Disclaimers

Limited warranty and liability — Information in this document is believed to be accurate and reliable. However, NXP Semiconductors does not give any representations or warranties, expressed or implied, as to the accuracy or completeness of such information and shall have no liability for the consequences of use of such information.

In no event shall NXP Semiconductors be liable for any indirect, incidental, punitive, special or consequential damages (including - without limitation - lost profits, lost savings, business interruption, costs related to the removal or replacement of any products or rework charges) whether or not such damages are based on tort (including negligence), warranty, breach of contract or any other legal theory.

Notwithstanding any damages that customer might incur for any reason whatsoever, NXP Semiconductors' aggregate and cumulative liability towards customer for the products described herein shall be limited in accordance with the *Terms and conditions of commercial sale* of NXP Semiconductors.

Right to make changes — NXP Semiconductors reserves the right to make changes to information published in this document, including without limitation specifications and product descriptions, at any time and without notice. This document supersedes and replaces all information supplied prior to the publication hereof.

Suitability for use — NXP Semiconductors products are not designed, authorized or warranted to be suitable for use in life support, life-critical or safety-critical systems or equipment, nor in applications where failure or

malfunction of an NXP Semiconductors product can reasonably be expected to result in personal injury, death or severe property or environmental damage. NXP Semiconductors accepts no liability for inclusion and/or use of NXP Semiconductors products in such equipment or applications and therefore such inclusion and/or use is at the customer's own risk.

Applications — Applications that are described herein for any of these products are for illustrative purposes only. NXP Semiconductors makes no representation or warranty that such applications will be suitable for the specified use without further testing or modification.

Customers are responsible for the design and operation of their applications and products using NXP Semiconductors products, and NXP Semiconductors accepts no liability for any assistance with applications or customer product design. It is customer's sole responsibility to determine whether the NXP Semiconductors product is suitable and fit for the customer's applications and products planned, as well as for the planned application and use of customer's third party customer(s). Customers should provide appropriate design and operating safeguards to minimize the risks associated with their applications and products.

NXP Semiconductors does not accept any liability related to any default, damage, costs or problem which is based on any weakness or default in the customer's applications or products, or the application or use by customer's third party customer(s). Customer is responsible for doing all necessary testing for the customer's applications and products using NXP Semiconductors products in order to avoid a default of the applications and the products or of the application or use by customer's third party customer(s). NXP does not accept any liability in this respect.

Limiting values — Stress above one or more limiting values (as defined in the Absolute Maximum Ratings System of IEC 60134) will cause permanent damage to the device. Limiting values are stress ratings only and (proper) operation of the device at these or any other conditions above those given in the Recommended operating conditions section (if present) or the Characteristics sections of this document is not warranted. Constant or repeated exposure to limiting values will permanently and irreversibly affect the quality and reliability of the device.

Terms and conditions of commercial sale — NXP Semiconductors products are sold subject to the general terms and conditions of commercial sale, as published at <http://www.nxp.com/profile/terms>, unless otherwise agreed in a valid written individual agreement. In case an individual agreement is concluded only the terms and conditions of the respective agreement shall apply. NXP Semiconductors hereby expressly objects to applying the customer's general terms and conditions with regard to the purchase of NXP Semiconductors products by customer.

No offer to sell or license — Nothing in this document may be interpreted or construed as an offer to sell products that is open for acceptance or the grant, conveyance or implication of any license under any copyrights, patents or other industrial or intellectual property rights.

Export control — This document as well as the item(s) described herein may be subject to export control regulations. Export might require a prior authorization from national authorities.

Non-automotive qualified products — Unless this data sheet expressly states that this specific NXP Semiconductors product is automotive qualified, the product is not suitable for automotive use. It is neither qualified nor tested in accordance with automotive testing or application requirements. NXP Semiconductors accepts no liability for inclusion and/or use of non-automotive qualified products in automotive equipment or applications.

In the event that customer uses the product for design-in and use in automotive applications to automotive specifications and standards, customer (a) shall use the product without NXP Semiconductors' warranty of the product for such automotive applications, use and specifications, and (b) whenever customer uses the product for automotive applications beyond NXP Semiconductors' specifications such use shall be solely at customer's

own risk, and (c) customer fully indemnifies NXP Semiconductors for any liability, damages or failed product claims resulting from customer design and use of the product for automotive applications beyond NXP Semiconductors' standard warranty and NXP Semiconductors' product specifications.

20.4 Trademarks

Notice: All referenced brands, product names, service names and trademarks are the property of their respective owners.

I²C-bus — logo is a trademark of NXP B.V.

21. Contact information

For more information, please visit: <http://www.nxp.com>

For sales office addresses, please send an email to: salesaddresses@nxp.com

22. Contents

| | | | | | |
|----------|---|-----------|-----------|--|-----------|
| 1 | General description | 1 | 8.17 | Programmable I/O pins Direction register (IODir) | 33 |
| 2 | Features and benefits | 1 | 8.18 | Programmable I/O pins State Register (IOState) | 33 |
| 2.1 | General features | 1 | 8.19 | I/O Interrupt Enable Register (IOIntEna) | 33 |
| 2.2 | I ² C-bus features | 2 | 8.20 | I/O Control register (IOControl) | 34 |
| 2.3 | SPI features | 2 | 8.21 | Extra Features Control Register (EFCR) | 35 |
| 3 | Applications | 2 | 9 | RS-485 features | 35 |
| 4 | Ordering information | 3 | 9.1 | Auto RS-485 $\overline{\text{RTS}}$ control | 35 |
| 5 | Block diagram | 4 | 9.2 | RS-485 $\overline{\text{RTS}}$ output inversion | 36 |
| 6 | Pinning information | 6 | 9.3 | Auto RS-485 | 36 |
| 6.1 | Pinning | 6 | 9.3.1 | Normal multidrop mode | 36 |
| 6.2 | Pin description | 7 | 9.3.2 | Auto address detection | 36 |
| 7 | Functional description | 9 | 10 | I²C-bus operation | 37 |
| 7.1 | Trigger levels | 9 | 10.1 | Data transfers | 37 |
| 7.2 | Hardware flow control | 9 | 10.2 | Addressing and transfer formats | 38 |
| 7.2.1 | Auto $\overline{\text{RTS}}$ | 10 | 10.3 | Addressing | 41 |
| 7.2.2 | Auto $\overline{\text{CTS}}$ | 11 | 10.4 | Use of subaddresses | 41 |
| 7.3 | Software flow control | 11 | 11 | SPI operation | 43 |
| 7.3.1 | RX | 12 | 12 | Limiting values | 44 |
| 7.3.2 | TX | 12 | 13 | Static characteristics | 45 |
| 7.4 | Reset and power-on sequence | 13 | 14 | Dynamic characteristics | 47 |
| 7.4.1 | Hardware reset, Power-On Reset (POR) and software reset | 13 | 15 | Package outline | 54 |
| 7.4.2 | Power-on sequence | 14 | 16 | Handling information | 57 |
| 7.5 | Interrupts | 15 | 17 | Soldering of SMD packages | 57 |
| 7.5.1 | Interrupt mode operation | 16 | 17.1 | Introduction to soldering | 57 |
| 7.5.2 | Polled mode operation | 16 | 17.2 | Wave and reflow soldering | 57 |
| 7.6 | Sleep mode | 17 | 17.3 | Wave soldering | 57 |
| 7.7 | Break and time-out conditions | 17 | 17.4 | Reflow soldering | 58 |
| 7.8 | Programmable baud rate generator | 18 | 18 | Abbreviations | 59 |
| 8 | Register descriptions | 20 | 19 | Revision history | 60 |
| 8.1 | Receive Holding Register (RHR) | 23 | 20 | Legal information | 61 |
| 8.2 | Transmit Holding Register (THR) | 23 | 20.1 | Data sheet status | 61 |
| 8.3 | FIFO Control Register (FCR) | 23 | 20.2 | Definitions | 61 |
| 8.4 | Line Control Register (LCR) | 24 | 20.3 | Disclaimers | 61 |
| 8.5 | Line Status Register (LSR) | 26 | 20.4 | Trademarks | 62 |
| 8.6 | Modem Control Register (MCR) | 27 | 21 | Contact information | 62 |
| 8.7 | Modem Status Register (MSR) | 28 | 22 | Contents | 63 |
| 8.8 | Scratch Pad Register (SPR) | 28 | | | |
| 8.9 | Interrupt Enable Register (IER) | 29 | | | |
| 8.10 | Interrupt Identification Register (IIR) | 30 | | | |
| 8.11 | Enhanced Features Register (EFR) | 31 | | | |
| 8.12 | Division registers (DLL, DLH) | 31 | | | |
| 8.13 | Transmission Control Register (TCR) | 32 | | | |
| 8.14 | Trigger Level Register (TLR) | 32 | | | |
| 8.15 | Transmitter FIFO Level register (TXLVL) | 32 | | | |
| 8.16 | Receiver FIFO Level register (RXLVL) | 33 | | | |

Please be aware that important notices concerning this document and the product(s) described herein, have been included in section 'Legal information'.

© NXP B.V. 2011.

All rights reserved.

For more information, please visit: <http://www.nxp.com>

For sales office addresses, please send an email to: salesaddresses@nxp.com

Date of release: 9 June 2011

Document identifier: SC16IS740_750_760