

## 20MHz, 650mA, X-EMI™-Enabled Synchronous Step-Down Regulator

### POWER MANAGEMENT

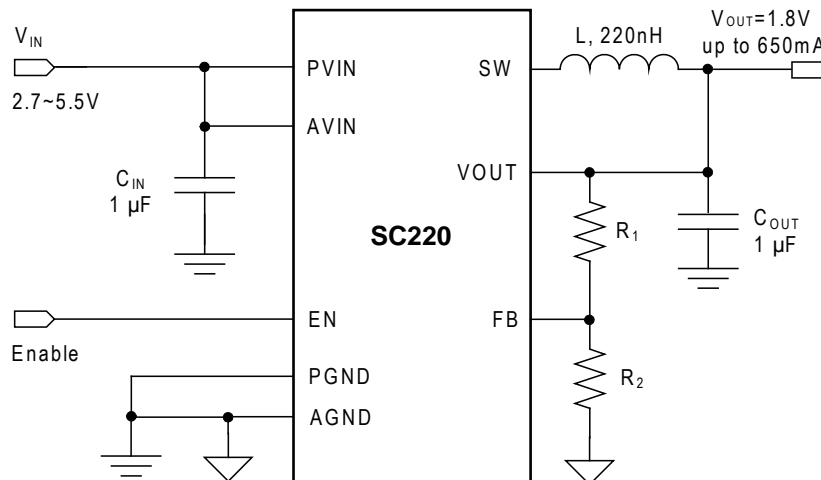
#### Features

- Patented X-EMI™ Inductor Technology
  - Enables Trace Inductors in PC Board Material
  - Excellent EMI Performance
- Efficiency up to 90%
- 19µA Quiescent Current under Very Light-load
- Wide Input Voltage Range — 2.7V to 5.5V
- Adjustable Output Voltage Down to 1.0V
- Output DC Current — up to 650mA
- High Light-load Efficiency via Automatic PSAVE Mode
- Ultra-fast Transient Response — <1µs
- Temperature Range — -40 to +85°C
- Shutdown Current — 0.1µA (typical)
- Requires Tiny 220nH Inductor
- Requires Only 1µF of Output Capacitance
- External Switching Frequency Synchronization
- Protection Features Including
  - Over-Current Protection
  - Output Short-Circuit Protection
  - Thermal Shutdown Protection
- Offered in SOIC 8 Lead Package
- Lead-free, Halogen-free, and RoHS/WEEE Compliant

#### Applications

- HDTV, Set Top Boxes, Gaming Consoles
- POL Applications
- White Goods
- Automotive (EMI sensitive console applications)

#### Typical Application Circuit



#### Description

The SC220 is a 20MHz X-EMI™(1)-enabled step-down regulator optimized for powering low voltage rails from 2.7 to 5.5V input voltage. X-EMI™ inductor technology enables inductors to be drawn directly on the PC board. This technology meets or exceeds the EMI performance of chip inductors and eliminates the need for discrete inductors.

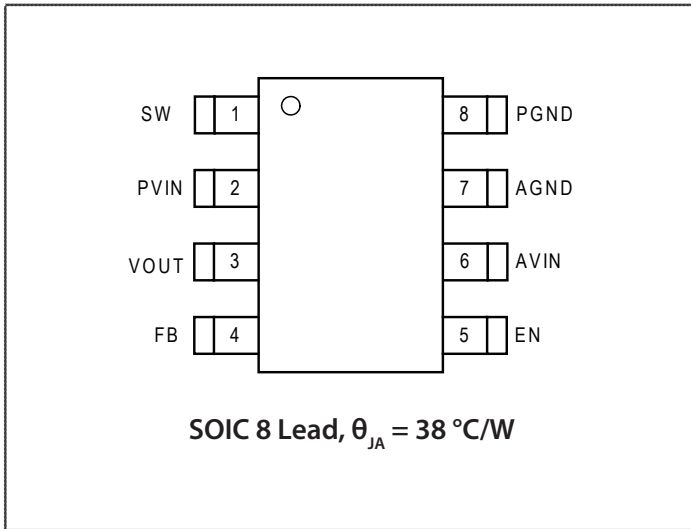
The SC220 uses a unique constant frequency, self-oscillating control loop architecture to provide excellent transient performance. Under light load condition, the device operates in Power Save Mode (PSAVE) and maintains a typical quiescent current of 19µA. At moderate to heavy loads, this part operates in PWM mode with a constant switching frequency of 20MHz. This high switching frequency offers the advantages of using small and low cost external components like a 1µF external capacitor and a small 220nH inductor (including X-EMI™ PCB trace inductors).

The device provides adjustable output voltages down to 1.0V and an output current up to 650mA. An EN pin can be used to synchronize to an external source and includes de-glitching to reduce noise sensitivity.

The SC220 is available in SOIC 8 lead package.

Note 1: Purchase of SC220 includes royalty-free rights to use X-EMI™ inductor technology with no additional cost.

### Pin Configuration



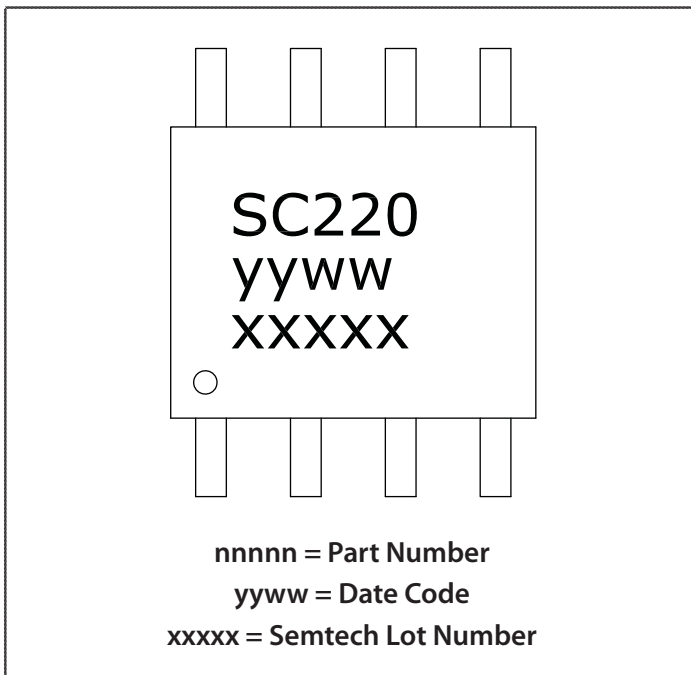
### Ordering Information

Device	Package
SC220STRT <sup>(1)(2)</sup>	SOIC 8 Lead
SC220EVB	Evaluation Board

Notes:

- (1) Available in tape and reel only. A reel contains 2,500 devices.
- (2) Device is lead-free, halogen-free, and RoHS/WEEE compliant.

### Marking Information



## Absolute Maximum Ratings <sup>(1)</sup>

AVIN, PVIN (V) .....	6.0
VOUT, FB, EN, SW (V) .....	-0.3 to (V <sub>IN</sub> + 0.3)
AGND (V) .....	-0.3 to +0.3
ESD Protection Level <sup>(2)</sup> .....	3kV

## Recommended Operating Conditions

Input Voltage Range (V) .....	+2.7 to +5.5
Output DC Current (mA) .....	up to 650
Operating Temperature Range (°C) .....	-40 to +85

## Thermal Information

Thermal Resistance, Junction to Ambient <sup>(3)</sup> (°C/W) .....	38
Junction Temperature Range (°C) .....	-40 to +150
Storage Temperature Range (°C) .....	-65 to +150
Peak IR Reflow Temperature (10s to 30s) (°C) .....	260

Exceeding the above specifications may result in permanent damage to the device or device malfunction. Operation outside of the parameters specified in the Electrical Characteristics section is not recommended.

### Notes:

- (1) All voltage values in this section are with respect to PGND pin voltage.
- (2) Tested according to JEDEC standard JESD22-A114-B.
- (3) Calculated from package in still air, mounted to 3 x 4.5 (in), 4 layer FR4 PCB with thermal vias under the exposed pad per JESD51 standards.

## Electrical Characteristics

Unless otherwise specified: AVIN = PVIN = EN = 3.6V, C<sub>IN</sub> = C<sub>OUT</sub> = 1.0μF, L = 220nH. T<sub>A</sub> = 25°C for typical values, -40°C < T<sub>A</sub> = T<sub>J</sub> < 85°C for minimum and maximum values.

Parameter	Symbol	Condition	Min	Typ	Max	Units
<b>POWER SUPPLY</b>						
Input Voltage	V <sub>IN</sub>		2.7		5.5	V
Input Quiescent Current	I <sub>VIN_Q</sub>	No load, no switching		19	40	μA
Shutdown Current	I <sub>VIN_SD</sub>	EN = 0V			1.0	μA
<b>POWER SWITCH</b>						
PMOS On Resistance				400		mΩ
NMOS On Resistance				360		mΩ
<b>OSCILLATOR</b>						
Switching Frequency	f <sub>OSC</sub>	PWM Mode	16	20	24	MHz
<b>REGULATION</b>						
Output Voltage Tolerance <sup>(1)</sup>	V <sub>OUT_TOL</sub>		-4.0		4.0	%
Current Limit	I <sub>LIMIT</sub>		850		1300	mA
Soft-Start <sup>(1)</sup>	t <sub>SS</sub>	EN pin low to high		40		μs
Feedback Voltage	V <sub>FB</sub>	2.7V ≤ VIN ≤ 5.5V	0.97	1.00	1.03	V

## Electrical Characteristics (continued)

Unless otherwise specified: AVIN = PVIN = EN = 3.6V, C<sub>IN</sub> = C<sub>OUT</sub> = 1.0μF, L = 220nH. T<sub>A</sub> = 25°C for typical values, -40°C < T<sub>A</sub> = T<sub>J</sub> < 85°C for minimum and maximum values.

Parameter	Symbol	Condition	Min	Typ	Max	Units
Feedback Leakage Current	I <sub>FB</sub>				1	μA
<b>ENABLE</b>						
EN Input High Voltage Threshold	V <sub>ENH</sub>		1.2			V
EN Input "Low" Voltage Threshold	V <sub>ENL</sub>				0.4	V
EN Input High Current	I <sub>ENH</sub>	V <sub>EN</sub> = V <sub>IN</sub>	-1.0		1.0	μA
EN Input Low Current	I <sub>ENL</sub>	V <sub>EN</sub> = AGND	-1.0		1.0	μA
Minimum Synchronization Frequency	f <sub>SYN_MIN</sub>	Square wave applied at EN pin			3	MHz
<b>PROTECTION</b>						
Over Temp Thermal Shutdown <sup>(1)</sup>	T <sub>OT</sub>			150		°C
Thermal Shutdown Hysteresis <sup>(1)</sup>	T <sub>HYST</sub>			15		°C

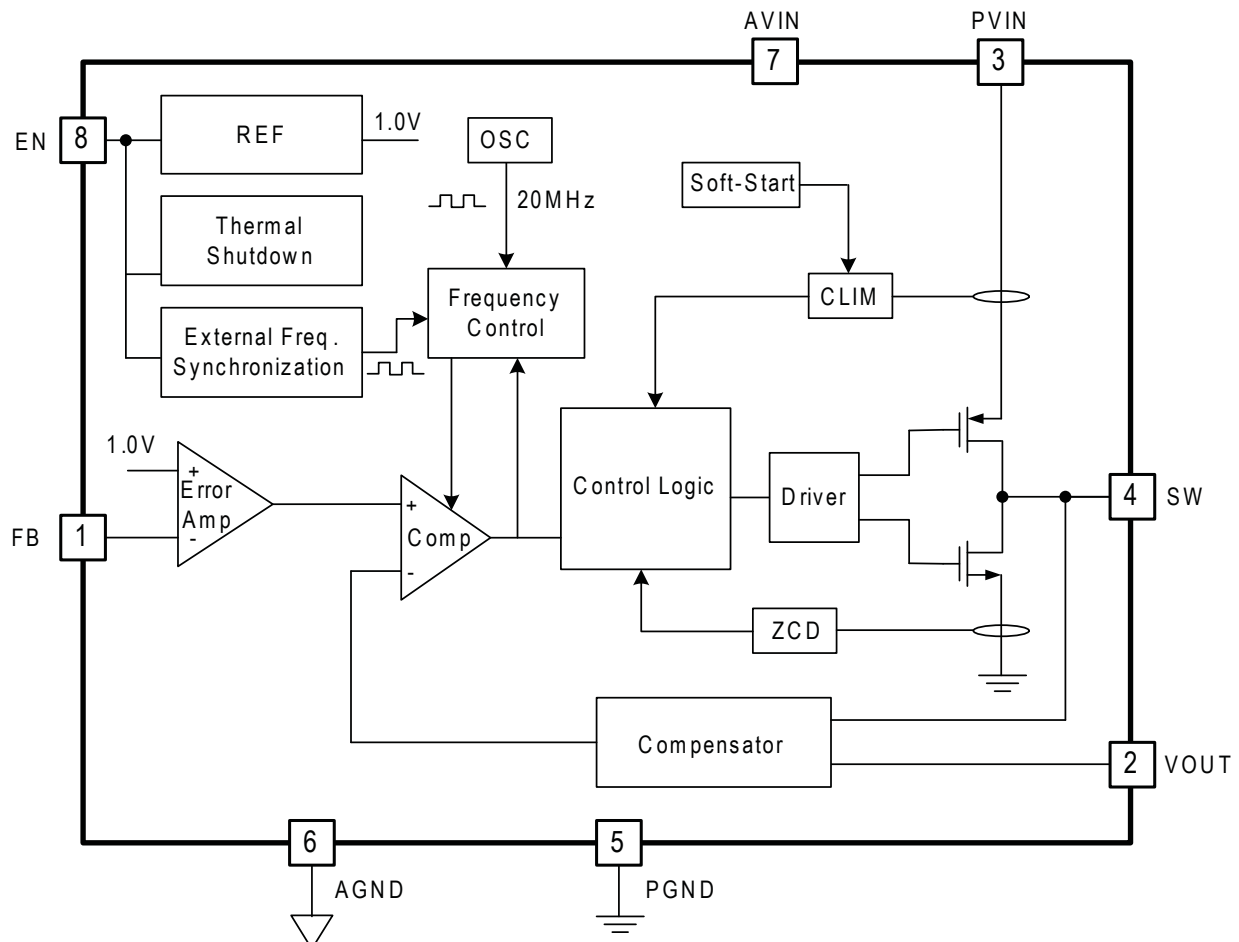
Notes

(1) Guaranteed by design. Not tested in production.

## Pin Descriptions

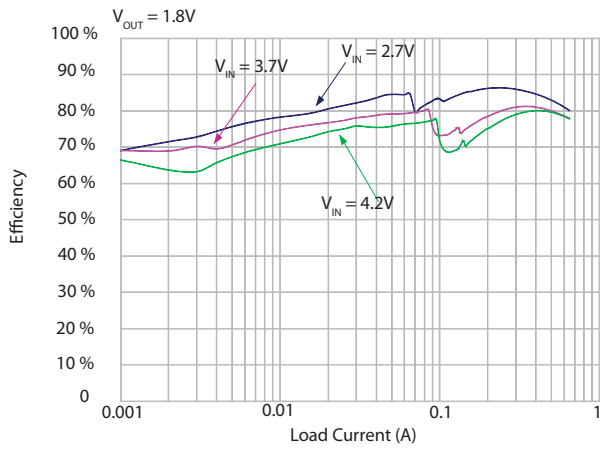
Pin #	Pin Name	Pin Function
1	SW	Switching output node — connect to the output LC filter.
2	PVIN	Power input supply voltage (2.7V to 5.5V).
3	VOUT	Input for sensing the output of LC filter.
4	FB	Input for regulation of output LC filter — Using $R_1$ and $R_2$ to set the output voltage, $V_{OUT} = V_{FB} \times (1 + R_1/R_2)$ . (Please refer to the typical application circuit diagram on page 1).
5	EN	Enable Input — when low, circuit draws $<1\mu A$ . Apply a square wave clock at EN to synchronize the switching frequency with an external clock. It is recommended that the externally applied clock frequency should not be above 20MHz.
6	AVIN	Input supply voltage.
7	AGND	Analog ground.
8	PGND	Power ground.

## Block Diagram

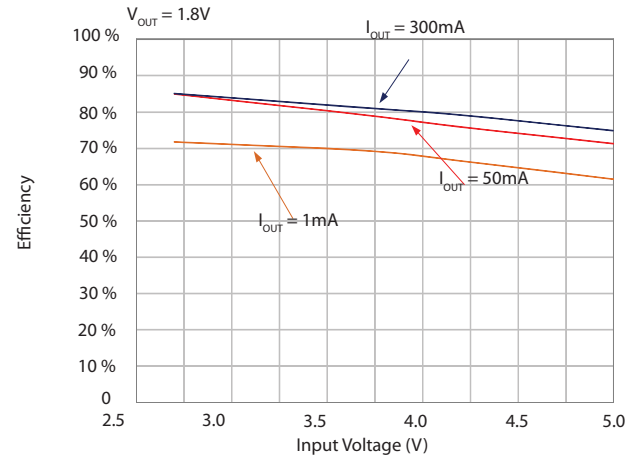


## Typical Characteristics

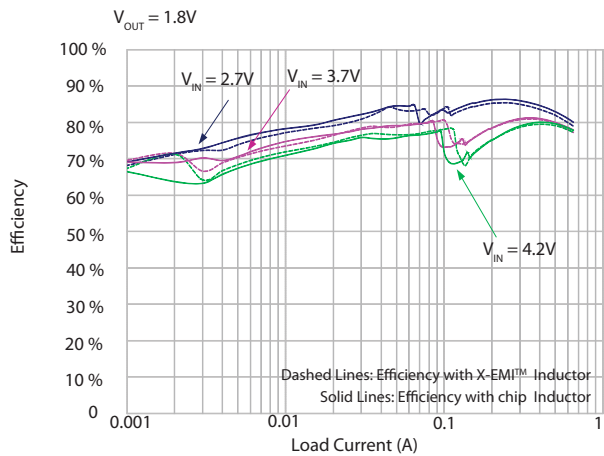
### Efficiency vs. Load Current



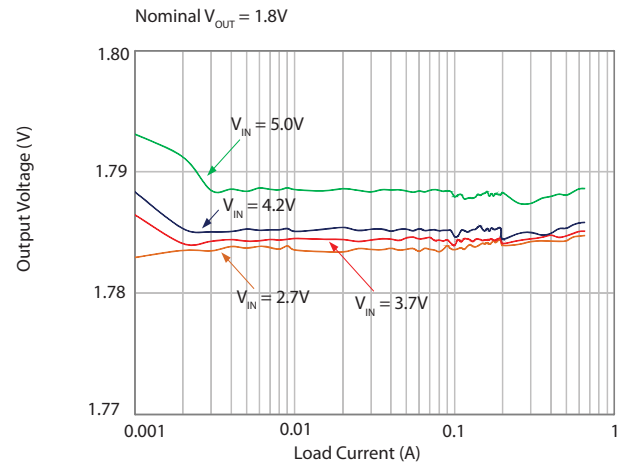
### Efficiency vs. $V_{IN}$



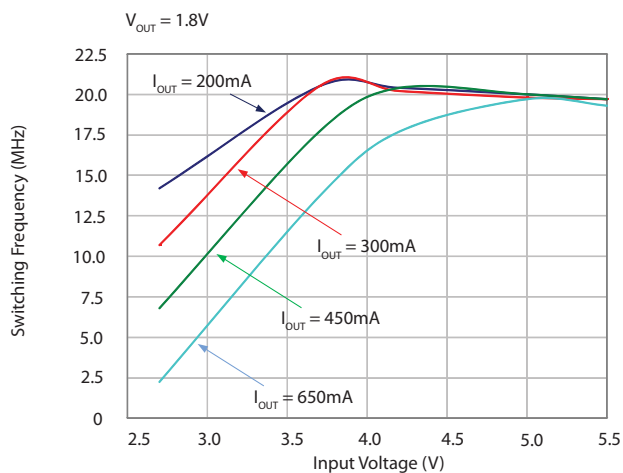
### Efficiency vs. Load Current (Chip Inductor vs. X-EMI™ Inductor)



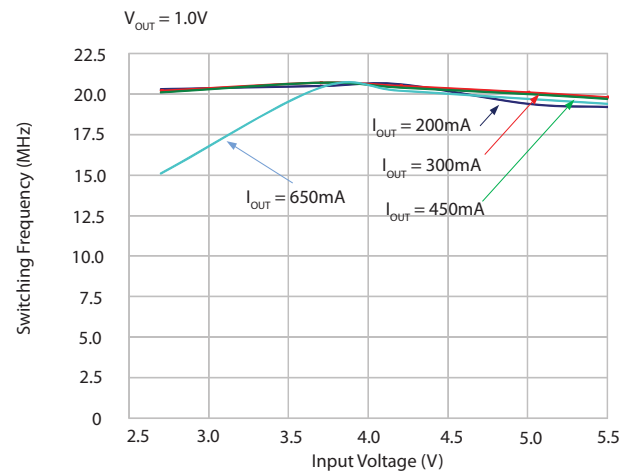
### Load Regulation



### Switching Frequency vs. $V_{IN}$

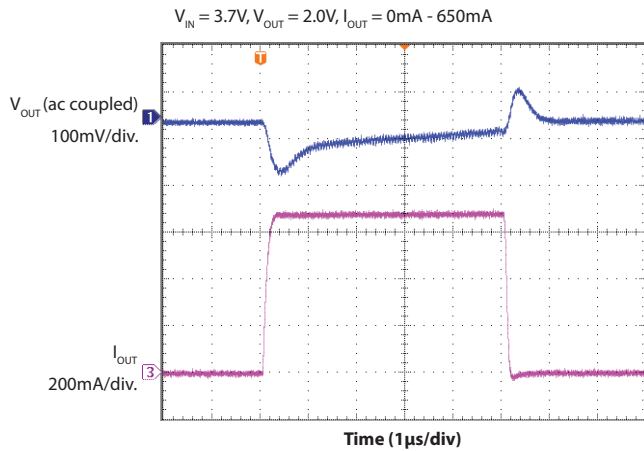


### Switching Frequency vs. $V_{IN}$

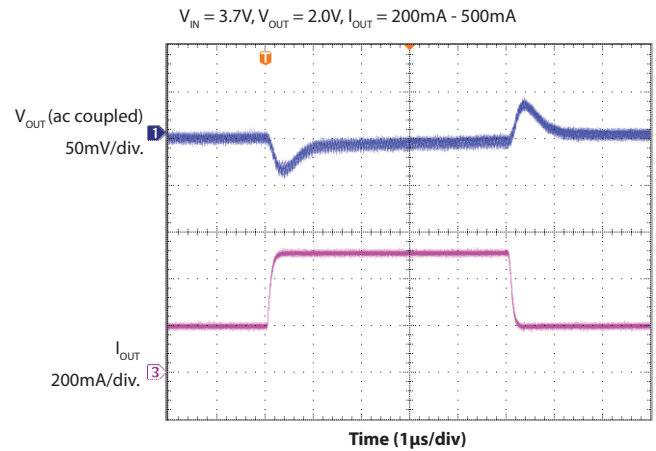


## Typical Characteristics (Continuous)

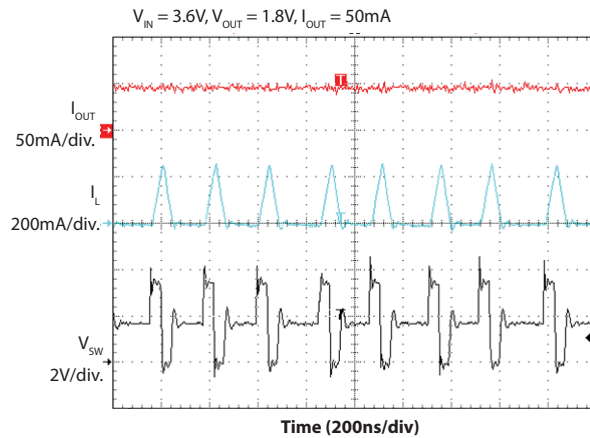
### Load Transient Response



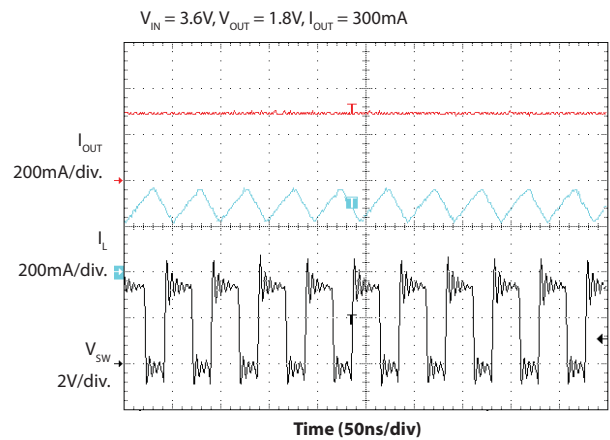
### Load Transient Response



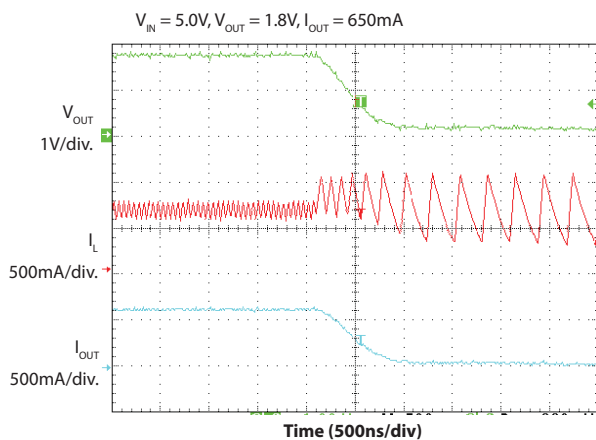
### Steady State Operation ( $I_{OUT} = 50mA$ )



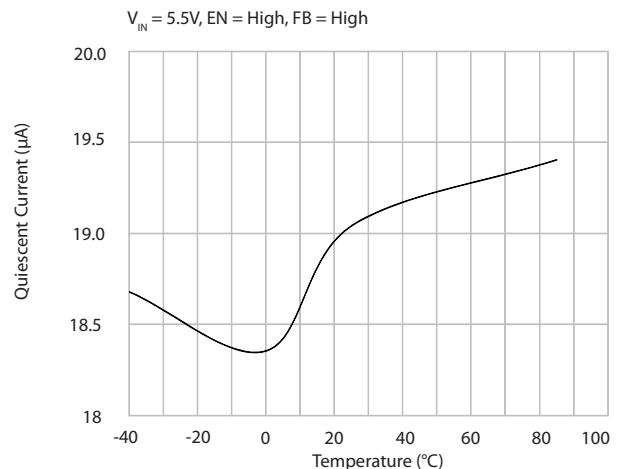
### Steady State Operation ( $I_{OUT} = 300mA$ )



### Output Hard Short

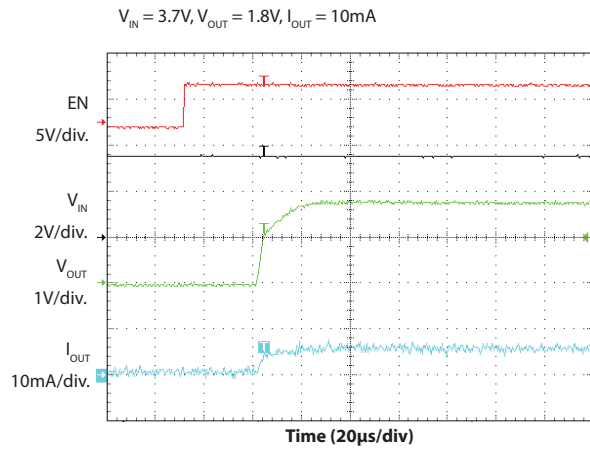


### Input Quiescent Current vs. Temperature

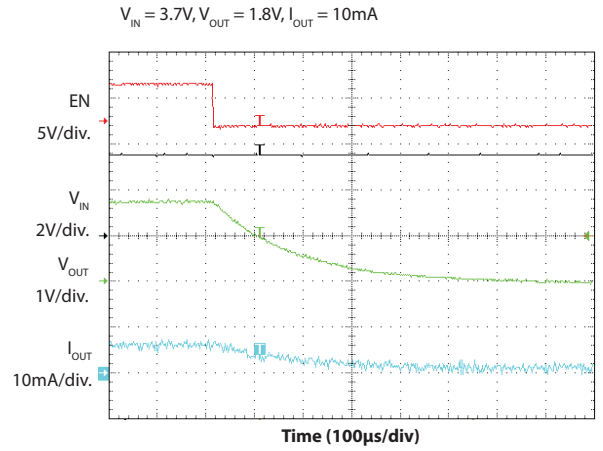


## Typical Characteristics (Continuous)

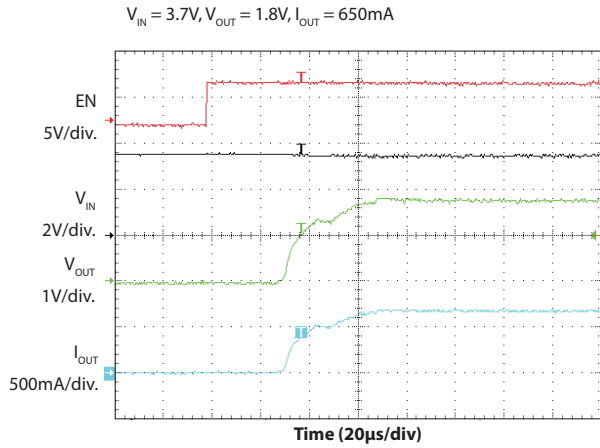
### Start-up Operation



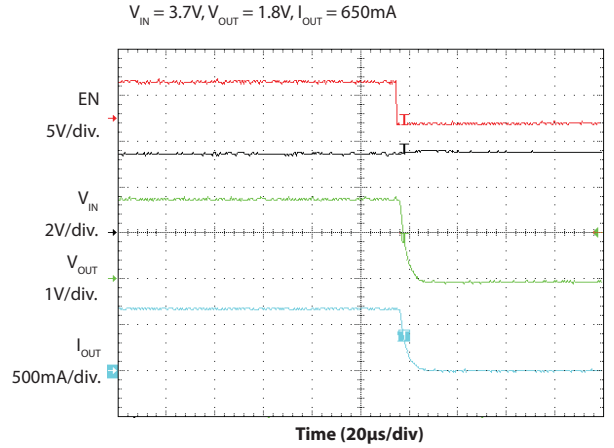
### Disable Operation



### Start-up Operation



### Disable Operation





## Applications Information

### General Description

The SC220 is a step-down regulator capable of delivering a lower voltage from an input supply voltage of 2.7V to 5.5V with high efficiency. Using a unique control architecture, the SC220 is capable of delivering a peak efficiency of 90%, while maintaining efficiency over 80% during light load condition. The converter operates at 20MHz switching frequency with Pulse Width Modulation (PWM) with moderate to heavy output load current of up to 650mA, which is referred as PWM mode. Under light-load condition, the converter operates in Power Save (PSAVE) mode.

### Control Scheme

The SC220 operates with a self-oscillating control method based on the output voltage ripple. This control loop compares the output voltage to an internal 1V reference to regulate the output voltage directly, adjusting the turn-on and turn-off time of the power switches such that the output voltage is held at a precise value. This architecture gives a single-cycle response to transient events.

To maintain constant frequency, a phase locked loop (PLL) is included to synchronize the switching with an internal clock. This PLL adjusts the effective upper and lower thresholds of the comparator, thus maintaining a constant frequency. Under transient conditions the voltage control loop determines the required switching pattern to best maintain the output voltage. After a short transient, the PLL will bring the switching frequency back to normal. At extreme duty cycles, where the frequency control loop may not be able to maintain frequency lock even under steady-state conditions, frequency may fall, but the output voltage regulation will be maintained by the main voltage control loop. This unique architecture helps to achieve the excellent line and load transient response.

### Operating Modes

The SC220 operates in two modes over a wide range of load currents. Under moderate to heavy load conditions, it operates in PWM mode with the switching frequency held constant. Under light-load condition, the converter enters PSAVE mode automatically. With the typical 220nH inductor, the transition between PWM and PSAVE mode

typically occurs in the range of 100-200mA, depending on the input and output voltages. Under very light load condition, the SC220 maintains high efficiency by shutting down all but the most essential circuit blocks, maintaining a typical quiescent current of about 19 $\mu$ A. In this mode, some circuitry used to control absolute DC accuracy is turned off. In that case, there may be a small DC shift (tens of millivolts) between normal operation and this “no-load” state. However, in the case of a load transient, the system will turn on the high-side FET within nanoseconds as a discontinuous pulse is issued. The transition to PWM mode can occur within that nominal on-time, giving superior no load to full load transient response.

The transition from PWM mode to PSAVE mode is controlled by sensing the minimum value of the ripple current. When it drops below a threshold level for 32 consecutive cycles, the transition to PSAVE mode is initiated. Once in PSAVE mode, the regulation is maintained by modulating the time between fixed current pulses. When a new pulse is required by the loop before the existing pulse has terminated, the loop determines that the load cannot be maintained in PSAVE mode. This prompts an instantaneous switch from PSAVE mode back to PWM mode.

### Enable and Start-up

The SC220 is enabled by applying a voltage higher than 1.2V on the EN pin, and it is disabled when the applied voltage is pulled below the logic low threshold. The EN pin can also be used to set the switching frequency: if a digital clock is fed to EN, the SC220 will sense this as a valid enable signal and the external clock will be used rather than the internal 20MHz oscillator.

The SC220 has an internal soft start circuit that limits the inrush current during start-up with a stepped current limit. Over the course of about 40 $\mu$ s, the SC220 is stepped in increments of one quarter of the nominal current limit to full current limit, thereby reducing the worst-case surge current that might otherwise be reflected to the input current.

### Current Limit

The SC220 integrates a current limit feature to protect itself and the external components under overload con-

## Applications Information (Cont.)

dition. When the current flowing through the high-side PMOS switch exceeds the current limit, the PMOS switch is turned off. The high-side switch is then held off for a period sufficient to allow inductor current to decay. When the output voltage is close to the nominal regulation point, this will look similar to constant current limiting. As the output voltage falls, the imposed off-time is such that the frequency will drop, thus the inductor will have appropriate time to reset. This may cause the average current to reduce, giving a mild 'fold-back' characteristic to the current limit, where the average load current drops as the output voltage collapses (although the peak current maintains its nominal value). In a short-circuit condition, the system runs continuously at this reduced frequency.

### Load Transient Response

The SC220 features excellent regulation during line and load transients. This is due to the nature of the proprietary control method and the high di/dt allowed by the use of a small inductor. This allows for best performance while providing the benefit of using a small low cost output capacitor.  $V_{OUT}$  shows only tens of millivolts of ripple voltage during a load current step change from less than 1mA to 650mA within hundreds of nanoseconds, using typical a 1 $\mu$ F output capacitor. (See the typical performance curves on page 7).

### X-EMI™ Inductor Technology

The SC220 is the industry's first buck regulator that enables designers to draw their own inductors directly on the PCB board. This patented technology is called X-EMI™ inductor technology and is different from conventional PCB trace inductors. Conventional PCB trace inductors can be used with high-frequency switchers, but they exhibit significant EMI issues. X-EMI™ inductor technology solves these EMI problems and can meet or exceed the EMI performance of conventional chip inductors.

X-EMI™ technology works by placing two small air-core inductors adjacent to each other in anti-phase position, where the magnetic fields of each air-core inductor partially cancel one another to reduce EMI. The net flux from the two inductors, partially cancels the wide leakage paths caused by the wide geometry, but is still able to store the

energy of the inductors in series. This approach uses multiple air core inductors implemented using printed circuit traces. Because these traces may be located on internal layers of the PCB, inductors can be designed with almost no impact on the available PCB area for components on the surface of the board. (See the efficiency curves using X-EMI™ inductor technology on page 6).



Figure 1. Top view of an evaluation board with X-EMI inductor

### External Components

The input and output capacitors used for the operation of the SC220 should be multilayer ceramic capacitors, preferably with X7R or X5R dielectric. The SC220 is optimized to operate with typical 1 $\mu$ F input and output capacitance. In practice, the self-resonant frequency of surface mount capacitors of this type is well below the 20MHz ripple frequency, so efforts to minimize output ripple may best be focused on minimizing the inductance of the output capacitor and the length of the circuit path to ground rather than on increasing the capacitance value of the output capacitor.

The inductor should be a high current inductor rated for currents at least up to 1A. Typical power inductors may be too lossy at 20MHz unless specifically designed for high frequency operation. For inductor value of 220nH, it may be preferred to use wire-wound RF chokes, many of which are rated for appropriate currents.

### Some Recommended External Components

	Value	Manufacturer	Part Number	Package
L	0.22 $\mu$ H	Coilcraft	XFL2005-221ME	2x2mm
	0.24 $\mu$ H	Coilcraft	0603LS-241XJL	0603
$C_{IN}$	1 $\mu$ F	Murata	GRM155R61C105KA12	0402
$C_{OUT}$	1 $\mu$ F	Murata	GRM155R61C105KA12	0402

## Applications Information (Cont.)

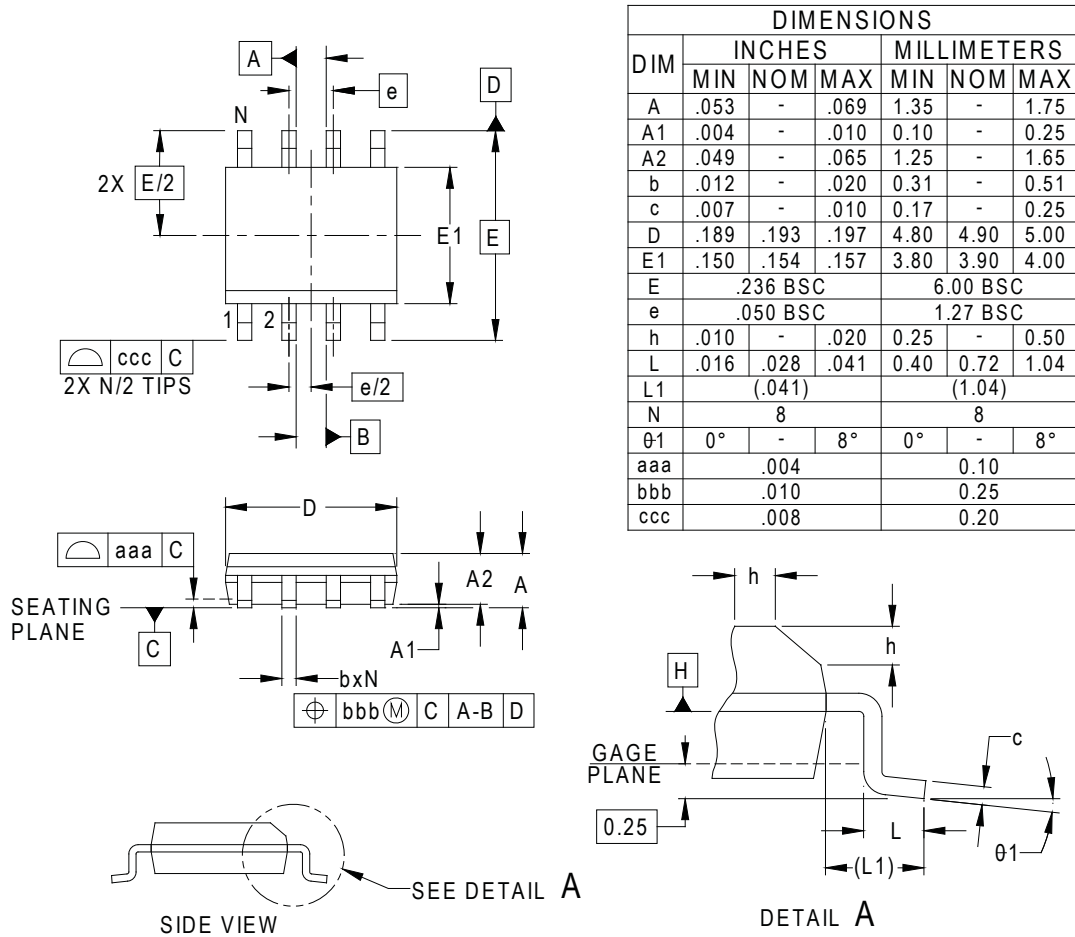
### PCB Layout Considerations

PCB Layout is important in designing a switching regulator. A few fundamental layout considerations will help to achieve the specified performance. Poor layout can degrade the performance of the switching regulator and may contribute to EMI problems, ground bounce, and possibly poor regulation and instability.

The following guidelines are recommended when developing a PCB layout:

1. The input capacitor,  $C_{IN}$  should be placed as close to the PVIN and PGND pins as possible. This capacitor provides a low impedance loop for the pulsed currents present at the buck converter's input. Use short wide traces to connect this capacitor as close to the IC as possible. This will minimize EMI and input voltage ripple by localizing the high frequency current pulses.
2. Keep the SW pin traces as short as possible to minimize the pickup of high frequency switching edges to other parts of the circuit. The output capacitor,  $C_{OUT}$  and the inductor should be put as close as possible to the related pins of the IC, and connected as close as possible between the SW and ground pins.
3. Route the output voltage feedback/sense path from the output capacitor path, and away from the inductor and SW node to minimize the possible noise and magnetic interference to the output feedback/sense path.
4. Use a ground plane referenced to the PGND pin, and the ground connection of the input and output capacitors should be put on this plane and close to each other if possible, and as close to the PGND pin as possible. Use several vias to connect to the component side ground to further reduce noise and interference on sensitive circuit nodes.
5. If possible, minimize the resistance from the VOUT and AGND pins to the load. This will reduce the voltage drop on the ground plane and improve the load regulation. And it will also improve the overall efficiency by reducing the copper losses on the output and ground planes.

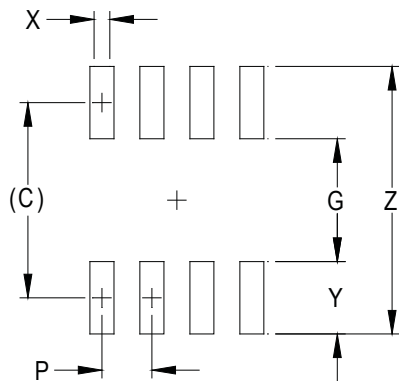
Outline Drawing — SOIC 8 Lead



DIM	DIMENSIONS					
	INCHES			MILLIMETERS		
	MIN	NOM	MAX	MIN	NOM	MAX
A	.053	-	.069	1.35	-	1.75
A1	.004	-	.010	0.10	-	0.25
A2	.049	-	.065	1.25	-	1.65
b	.012	-	.020	0.31	-	0.51
c	.007	-	.010	0.17	-	0.25
D	.189	.193	.197	4.80	4.90	5.00
E1	.150	.154	.157	3.80	3.90	4.00
E	.236 BSC			6.00 BSC		
e	.050 BSC			1.27 BSC		
h	.010	-	.020	0.25	-	0.50
L	.016	.028	.041	0.40	0.72	1.04
L1	(.041)			(1.04)		
N	8			8		
$\theta 1$	0°	-	8°	0°	-	8°
aaa	.004			0.10		
bbb	.010			0.25		
ccc	.008			0.20		

- NOTES:
1. CONTROLLING DIMENSIONS ARE IN MILLIMETERS (ANGLES IN DEGREES).
  2. DATUMS **-A-** AND **-B-** TO BE DETERMINED AT DATUM PLANE **-H-**
  3. DIMENSIONS "E1" AND "D" DO NOT INCLUDE MOLD FLASH, PROTRUSIONS OR GATE BURRS.
  4. REFERENCE JEDEC STD MS-012, VARIATION AA.

## Land Pattern —SOIC 8 Lead



DIMENSIONS		
DIM	INCHES	MILLIMETERS
C	(.205)	(5.20)
G	.118	3.00
P	.050	1.27
X	.024	0.60
Y	.087	2.20
Z	.291	7.40

### NOTES:

1. THIS LAND PATTERN IS FOR REFERENCE PURPOSES ONLY. CONSULT YOUR MANUFACTURING GROUP TO ENSURE YOUR COMPANY'S MANUFACTURING GUIDELINES ARE MET.
2. REFERENCE IPC-SM-782A, RLP NO. 300A.



© Semtech 2012

All rights reserved. Reproduction in whole or in part is prohibited without the prior written consent of the copyright owner. The information presented in this document does not form part of any quotation or contract, is believed to be accurate and reliable and may be changed without notice. No liability will be accepted by the publisher for any consequence of its use. Publication thereof does not convey nor imply any license under patent or other industrial or intellectual property rights. Semtech assumes no responsibility or liability whatsoever for any failure or unexpected operation resulting from misuse, neglect improper installation, repair or improper handling or unusual physical or electrical stress including, but not limited to, exposure to parameters beyond the specified maximum ratings or operation outside the specified range.

SEMTECH PRODUCTS ARE NOT DESIGNED, INTENDED, AUTHORIZED OR WARRANTED TO BE SUITABLE FOR USE IN LIFE-SUPPORT APPLICATIONS, DEVICES OR SYSTEMS OR OTHER CRITICAL APPLICATIONS. INCLUSION OF SEMTECH PRODUCTS IN SUCH APPLICATIONS IS UNDERSTOOD TO BE UNDERTAKEN SOLELY AT THE CUSTOMER'S OWN RISK. Should a customer purchase or use Semtech products for any such unauthorized application, the customer shall indemnify and hold Semtech and its officers, employees, subsidiaries, affiliates, and distributors harmless against all claims, costs damages and attorney fees which could arise.

Notice: All referenced brands, product names, service names and trademarks are the property of their respective owners.

## Contact Information

---

Semtech Corporation  
Power Management Products Division  
200 Flynn Road, Camarillo, CA 93012  
Phone: (805) 498-2111 Fax: (805) 498-3804

[www.semtech.com](http://www.semtech.com)