



# Solid State Devices, Inc.

14701 Firestone Blvd \* La Mirada, Ca 90638  
 Phone: (562) 404-4474 \* Fax: (562) 404-1773  
 ssdi@ssdi-power.com \* www.ssdi-power.com

## SDA304A thru SDA304G

### 10 AMP 50 to 1,000 VOLT STANDARD RECOVERY SINGLE PHASE BRIDGE

### Designer's Data Sheet

**Part Number/Ordering Information <sup>1/</sup>**

**SDA304** — —

    L **Screening <sup>2/</sup>**    — = Not Screened  
                                   TX = TX Level  
                                   TXV = TXV

**Peak Inverse Voltage**  
 A = 50V, B = 100V, C = 200V, D = 400V  
 E = 600V, F = 800V, and G = 1,000V.

- FEATURES:**
- PIV 50 to 1,000 Volts
  - Average Output 10A
  - Reverse Recovery 5µsec Max
  - Avalanche Breakdown
  - Small Size
  - Hermetically Sealed Rectifier
  - Easy PC Mounting
  - Maximum Thermal Resistance 5.0°C/W
  - -55 to +150°C Operating and Storage Temperature
  - Also Available in Fast, Ultra Fast, and Hyper Fast Versions – Contact Factory
  - TX and TXV Screening Available

### ELECTRICAL CHARACTERISTICS<sup>3/</sup>

Part Number	Peak Inverse Voltage (per leg)	Average Rectified Current	Maximum Surge Current (1 Cycle)	Maximum Forward Voltage (per leg)	Maximum Reverse Current (@ PIV)	
Symbol	PIV	I <sub>O</sub>	I <sub>FSM</sub>	V <sub>F</sub> <sup>4/</sup>	I <sub>R</sub>	
Units	Volts	Amps	Amps	Volts	µA	
Conditions	25°C	85°C	25°C	I <sub>F</sub> =9A, T <sub>A</sub> =25°C	25°C	100°C
SDA304A	50	10	75	1.15	5	100
SDA304B	100	10	75	1.15	5	100
SDA304C	200	10	75	1.15	5	100
SDA304D	400	10	75	1.15	5	100
SDA304E	600	10	75	1.15	5	100
SDA304F	800	10	75	1.15	5	100
SDA304G	1000	10	75	1.15	5	100

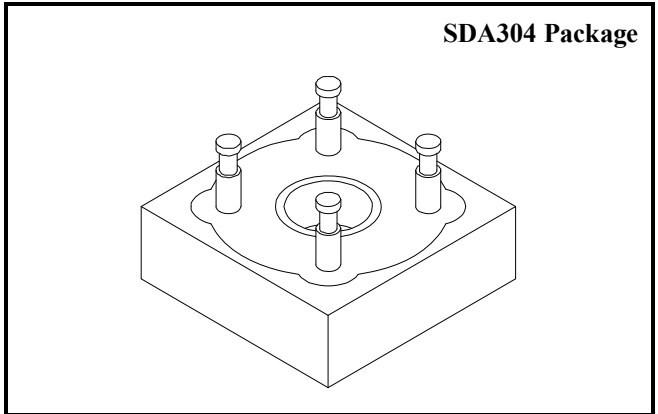
**NOTES:**

1/ For Ordering Information, Price, Operating Curves and Availability-Contact Factory.

2/ Screening based on MIL-PRF-19500. Screening flows available on request.

3/ Unless Otherwise Specified, All Electrical Characteristics @25°C.

4/ Maximum forward voltage measured with instantaneous forward pulse of 300µsec minimum.



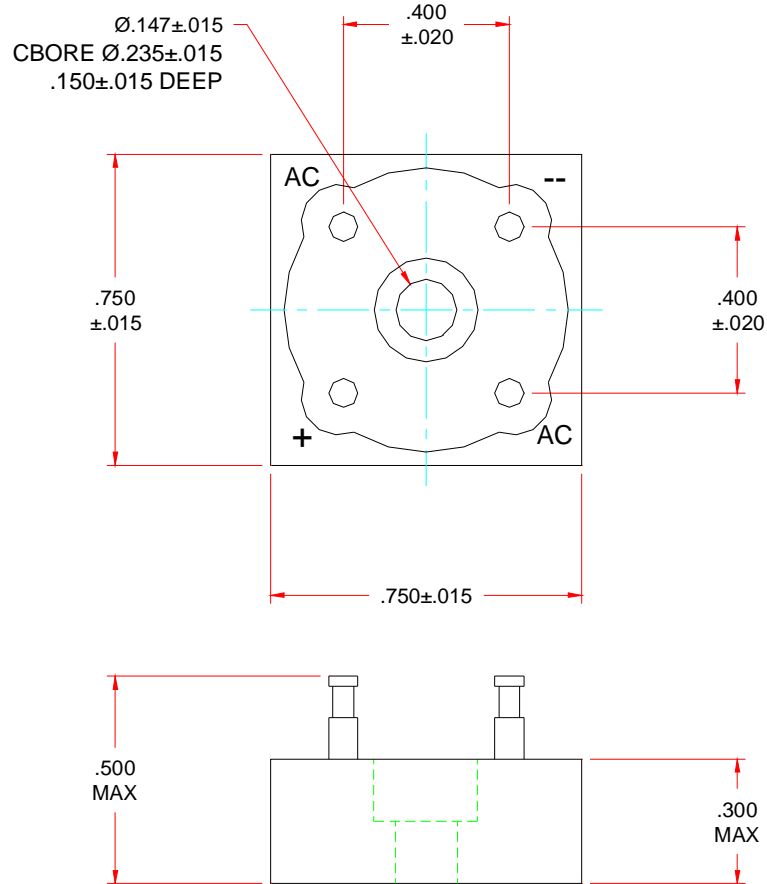


**Solid State Devices, Inc.**

14701 Firestone Blvd \* La Mirada, Ca 90638  
Phone: (562) 404-4474 \* Fax: (562) 404-1773  
ssdi@ssdi-power.com \* www.ssdi-power.com

# SDA304A thru SDA304G

## PACKAGE OUTLINE: SDA304



**NOTE:** All specifications are subject to change without notification. SCD's for these devices should be reviewed by SSDI prior to release.

**DATA SHEET #: RA0011B**

**DOC**