

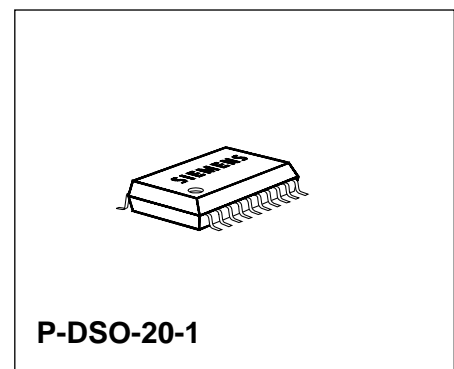
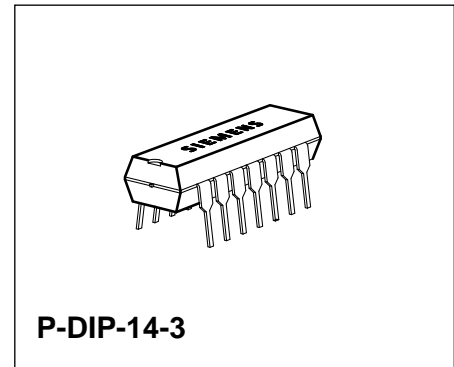
## Decoder for Program Delivery Control and Video Program System PDC / VPS Decoder

**SDA 5648  
SDA 5648X**

**CMOS IC**

### Features

- Single-chip receiver for PDC data, broadcast either
  - in Broadcast Data Service Packet (BDSP) 8/30/2 according to CCIR teletext system B, or
  - in dedicated line no. 16 of the vertical blanking interval (VPS)
- Reception of Unified Date and Time (UDT) broadcast in BDSP 8/30/1
- Low external components count
- On-chip data and sync slicer
- I<sup>2</sup>C-Bus interface for communication with external microcontroller
- Selection of PDC/VPS operating mode software controlled by I<sup>2</sup>C-Bus register
- Pin and software compatible to VPS Decoder SDA 5642
- Supply voltage: 5 V ± 10 %
- Video input signal level: 0.7 V<sub>pp</sub> to 1.4 V<sub>pp</sub>
- Technology: CMOS
- Package: P-DIP-14-3 and P-DSO-20-1
- Operating temperature range: 0 to 70 °C



Type	Ordering Code	Package
SDA 5648	Q67000-A5186	P-DIP-14-3
SDA 5648X	Q67006-A5198	P-DSO-20-1 Tape & Reel

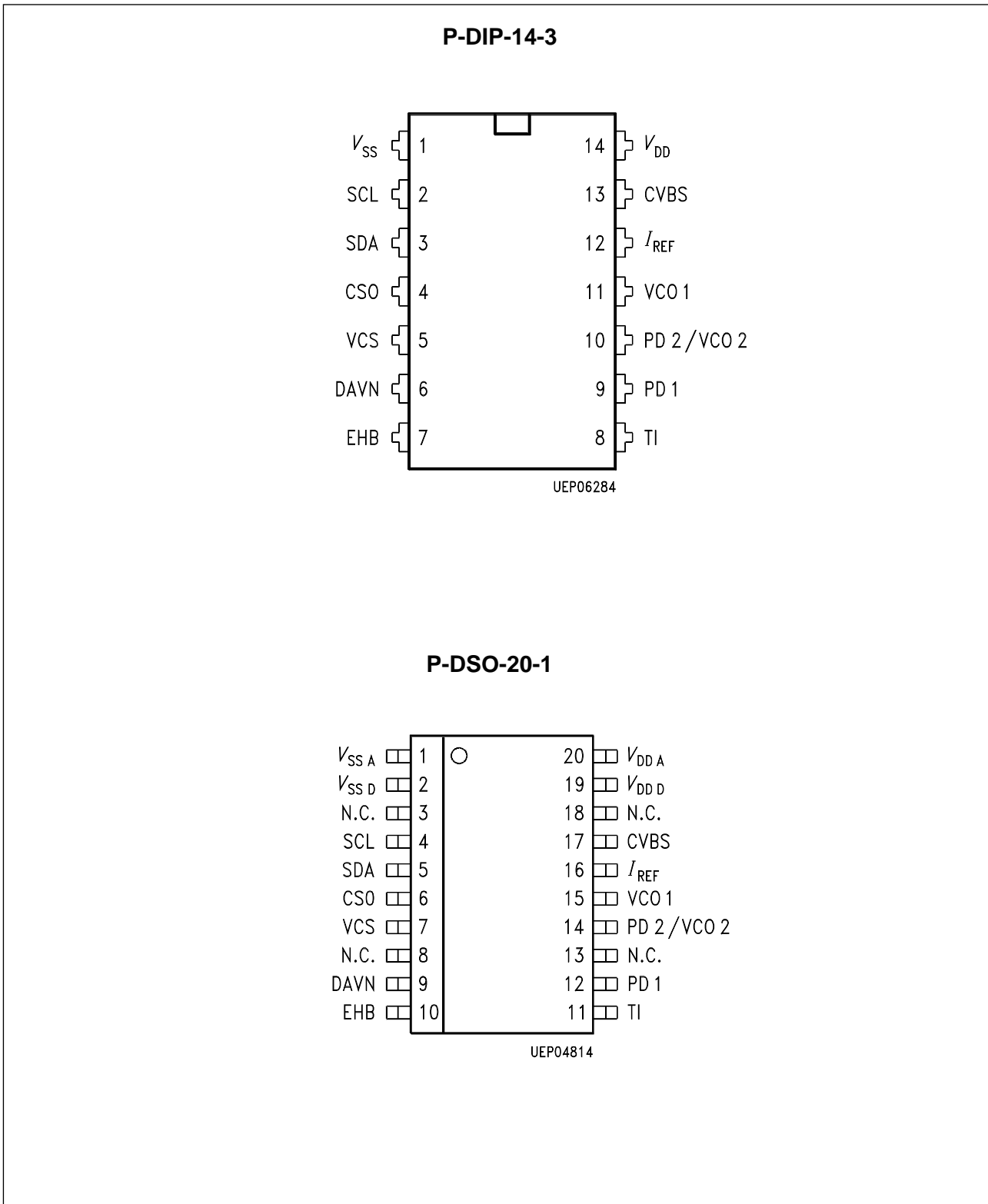
### Functional Description

The CMOS circuit SDA 5648 is intended for use in video cassette recorders to retrieve control data of the PDC system from the data lines broadcast during the vertical blanking interval of a standard video signal.

The SDA 5648 is devised to handle PDC data transported either in Broadcast Data Service Packet (BDSP) 8/30 format 2 (bytes no. 13 through 25) of CCIR teletext system B or in the dedicated data line no. 16 in the case of VPS.

Furthermore it is able to receive the Unified Date and Time (UDT) information transmitted in bytes no. 15 through 21 of packet 8/30 format 1.

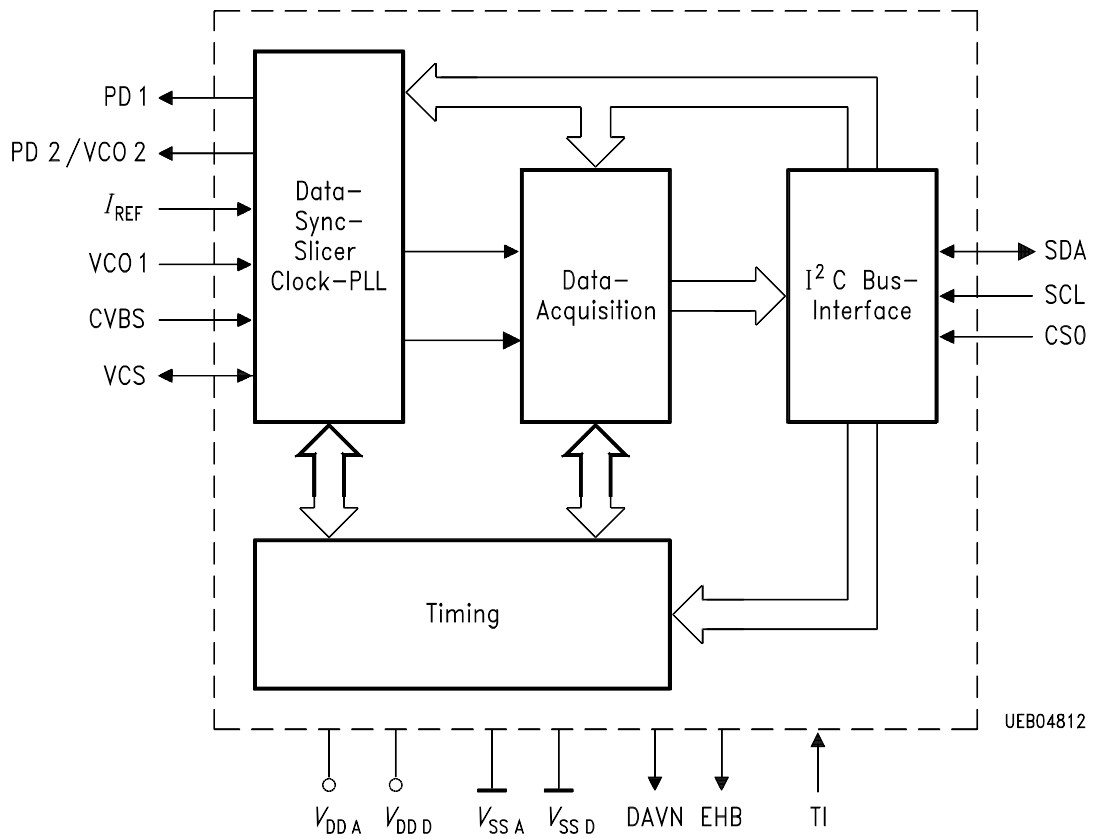
## Pin Configuration (top view)



Operating mode (PDC/VPS) is selected by a control register which can be written to via the I<sup>2</sup>C-Bus interface.

## Pin Definitions and Functions

Pin No. P-DIP-14-3	Pin No. P-DSO-20-1	Symbol	Function
1		$V_{SS}$	Ground (0 V)
	1	$V_{SSA}$	Analog ground (0 V)
	2	$V_{SSD}$	Digital ground (0 V)
	3	N.C.	Not connected
2	4	SCL	Serial clock input of I <sup>2</sup> C-Bus.
3	5	SDA	Serial data input of I <sup>2</sup> C-Bus.
4	6	CS0	Chip select input determining the I <sup>2</sup> C-Bus addresses: 20 <sub>H</sub> / 21 <sub>H</sub> , when pulled low 22 <sub>H</sub> / 23 <sub>H</sub> , when pulled high.
5	7	VCS	Video Composite Sync output from sync slicer used for PLL based clock generation.
	8	N.C.	Not connected
6	9	DAVN	Data available output active low, when PDC/VPS data is received.
7	10	EHB	Output signaling the presence of the first field active high.
8	11	TI	Test input; activates test mode when pulled high.
9	12	PD1	Phase detector/charge pump output of data PLL (DAPLL).
	13	N.C.	Not connected
10	14	PD2/VCO2	Connector of the loop filter for the SYSPLL.
11	15	VCO1	Input to the voltage controlled oscillator #1 of the DAPLL.
12	16	$I_{REF}$	Reference current input for the on-chip analog circuit.
13	17	CVBS	Composite video signal input.
	18	N.C.	Not connected
14		$V_{DD}$	Positive supply voltage (+ 5 V nom.).
	19	$V_{DDD}$	Positive supply voltage for the digital circuits (+ 5 V nom.).
	20	$V_{DDA}$	Positive supply voltage for the analog circuits (+ 5 V nom.).



Block Diagram

### **Circuit Description**

Referring to the functional block diagram of the PDC / VPS decoder, the composite video signal with negative going sync pulses is coupled to the pin CVBS through a capacitor which is used for clamping the bottom of the sync pulses to an internally fixed level. The signal is passed on to the slicer, an analog circuitry separating the sync and the data parts of the CVBS signal, thus yielding the digital composite sync signal VCS and a digital data signal for further processing by comparing those signals to internally generated slicing levels.

The output of the sync separator is forwarded, on one hand, to the output pin VCS, and on the other hand, to the clock generator and the Timing block. The VCS signal represents a key signal that is used for deriving a system clock signal by means of a PLL.

The data slicer separates the data signal from the CVBS signal by comparing the video voltage to an internally generated slicing level which is found by averaging the data signal during TV line no. 16 in the VPS mode or by averaging the data signal during the clock run-in period of the teletext lines during the data entry window (DEW) in PDC mode.

The clock generator delivers the system clock needed for the basic timing as well as for the regeneration of the data clock. It is based on two phase locked loops (PLL's) all parts of which are integrated on chip with the exception of the loop filter components. Each of the PLL's is composed of a voltage controlled oscillator (VCO), a phase/frequency detector (PFD), and a charge pump which converts the digital output signals of the PFD to an analog current. That current is transformed to a control voltage for the VCO by the off-chip loop filter. The generated VCO frequencies are 10 MHz and 13.875 MHz for VPS mode and PDC mode, respectively.

All signals necessary for the control of sync and data slicing as well as for the data acquisition are generated by the Timing block.

In PDC mode, only teletext rows 8/30 containing Broadcast Data Service Package (BDSP) information are acquired. The relevant bytes of 8/30 format 1 (8/30/1) and 8/30 format 2 (8/30/2) are extracted. The 8/30/1-bytes are stored in the acquisition register in a transparent way without any bit manipulation, whereas the Hamming coded bytes of packet 8/30/2 are Hamming-checked and bytes with one bit error are corrected. The storage of error free or corrected 8/30/2-data bytes in the transfer register to the I<sup>2</sup>C-Bus is signalled by the DAVN output going low. The reception and storage of 8/30/1- data, however, is not indicated by the DAVN output. The presence of 8/30/1 data can only be checked by polling the data register via the I<sup>2</sup>C-Bus.

In VPS mode, the extracted data bits of TV line no. 16 are checked for biphasic errors. With no biphasic errors encountered, the acquired bytes are stored in the transfer register to the I<sup>2</sup>C-Bus. That transfer is signalled by a H/L transition of the DAVN output, as well.

In both operating modes data are updated when a new data line has been received, provided that the chip is not accessed via the I<sup>2</sup>C-Bus at the same time.

A micro controller can read the stored bytes via the I<sup>2</sup>C-Bus interface at any time. However, one must be aware that the storage of new data from the acquisition interface is inhibited as long as the PDC decoder is being accessed via the I<sup>2</sup>C-Bus. At the end of an I<sup>2</sup>C-Bus reading the transfer registers are set to FF (hex) until they are updated by the reception of new data packet contained in the CVBS signal.

## I<sup>2</sup>C-Bus

### General Information

The I<sup>2</sup>C-Bus interface implemented on the PDC decoder is a slave transmitter/receiver, i.e., both reading from and writing to the PDC / VPS decoder is possible. The clock line SCL is controlled only by the bus master usually being a micro controller, whereas the SDA line is controlled either by the master or by the slave. A data transfer can only be initiated by the bus master when the bus is free, i.e., both SDA and SCL lines are in a high state. As a general rule for the I<sup>2</sup>C-Bus, the SDA line changes state only when the SCL line is low. The only exception to that rule are the Start Condition and the Stop Condition. Further details are given below. The following abbreviations are used:

START : Start Condition generated by master  
 AS : Acknowledge by slave  
 AM : Acknowledge by master  
 NAM : No Acknowledge by master  
 STOP : Stop Condition generated by master

### Chip Address

There are two pairs of chip addresses, which are selected by the CS0-input pin according to the following table

CS0 Input	Write Mode	Read Mode
Low	20 (hex)	21 (hex)
High	22 (hex)	23 (hex)

### Write Mode

For writing to the PDC decoder, the following format has to be used:

START	Chipadress White Mode	AS	Byte Set Control Register	AS	STOP
-------	-----------------------	----	---------------------------	----	------

### Data Transfer (Write Mode)

- Step 1:* In order to start a data transfer the master generates a Start Condition on the bus by pulling the SDA line low while the SCL line is held high.
- Step 2:* The bus master puts the chip address on the SDA line during the next eight SCL pulses.
- Step 3:* The master releases the SDA line during the ninth clock pulse. Thus the slave can generate an acknowledge (AS) by pulling the SDA line to a low level.
- Step 4:* The controller transmits the data byte to set the Control register.
- Step 5:* The slave acknowledges the reception of the byte.
- Step 6:* The master concludes the data communication by generating a Stop Condition.

The write mode is used to set the I<sup>2</sup>C-Bus control register which determines the operating mode:

## Control Register

Bit Number	7	6	5	4	3	2	1	0
	T4	T3	T2	T1	T0	DIS	PDC/ VPS	FOR1/ FOR2

Default: All bits are set to 0 on power-up.

**Bit 0:** Determines, which kind of data is accessed via the I<sup>2</sup>C-Bus when PDC mode is active.

Value	
0	1
BDSP 8/ 30/ 2 data accessible	BDSP 8/ 30/ 1 or header row data accessible (refer to description of Bit 2)

**Bit 1:** Determines the operating mode.

Value	
0	1
VPS mode active	PDC mode active

Bits 2 through 7 are used for test purposes.

DIS: Don't care.

Bits 3 through 7 must not be changed for normal operation by user software!

## Read Mode

For reading from the PDC decoder, the following format has to be used.

START	Chipaddress	Read Mode	AS	1st Byte	AM	...	Last Byte	NAM	STOP
-------	-------------	-----------	----	----------	----	-----	--------------	-----	------

**Data Transfer (Read Mode)**

- Step 1:* To start a data transfer the master generates a Start Condition on the bus by pulling the SDA line low while the SCL line is held high. The byte address counter in the decoder is reset and points to the first byte to be output.
- Step 2:* The bus master puts the chip address on the SDA line during the next eight SCL pulses.
- Step 3:* The master releases the SDA line during the ninth clock pulse. Thus the slave can generate an acknowledge (AS) by pulling the SDA line to a low level. At this moment, the slave switches to transmitting mode.
- Step 4:* During the next eight clock pulses the slave puts the addressed data byte onto the SDA line.
- Step 5:* The reception of the byte is acknowledged by the master device which, in turn, pulls down the SDA line during the next SCL clock pulse. By acknowledging a byte, the master prompts the slave to increment its internal address counter and to provide the output of the next data byte.
- Step 6:* Steps no. 4 and no. 5 are repeated, until the desired amount of bytes have been read.
- Step 7:* The last byte is output by the slave since it will not be acknowledged by the master.
- Step 8:* To conclude the read operation, the master doesn't acknowledge the last byte to be received. A No Acknowledge by the master (NAM) causes the slave to switch from transmitting to receiving mode. Note that the master can prematurely cease any reading operation by not acknowledging a byte.
- Step 9:* The master gains control over the SDA line and concludes the data transfer by generating a Stop Condition on the bus, i. e., by producing a low/high transition on the SDA line while the SCL line is in a high state. With the SDA and the SCL lines being both in a high state, the I<sup>2</sup>C-Bus is free and ready for another data transfer to be started.

The contents of up to 7 registers (bytes) can be read starting with byte 1 bit 7 (refer to the following table).



## Order of Data Output on the I<sup>2</sup>C-Bus and Bit Allocation of the 3 Different Operating Modes

I <sup>2</sup> C-Bus		PDC Packet 8/30				VPS Mode		
		Format 1		Format 2				
t ↓	Byte 1	bit 7	byte 15	bit 0 <sup>2)</sup>	byte 16	bit 0 <sup>1)</sup>	byte 11	bit 0 <sup>2)</sup>
		6		1		1		1
		5		2		2		2
		4		3		3		3
		3		4	byte 17	bit 0		4
		2		5		1		5
		1		6		2		6
		0		7		3		7
	Byte 2	bit 7	byte 16	bit 0	byte 18	bit 0	byte 12	bit 0
		6		1		1		1
		5		2		2		2
		4		3		3		3
		3		4	byte 19	bit 0		4
		2		5		1		5
		1		6		2		6
		0		7		3		7
	Byte 3	bit 7	byte 17	bit 0	byte 20	bit 0	byte 13	bit 0
		6		1		1		1
		5		2		2		2
		4		3		3		3
		3		4	byte 21	bit 0		4
		2		5		1		5
		1		6		2		6
		0		7		3		7
	Byte 4	bit 7	byte 18	bit 0	byte 22	bit 0	byte 14	bit 0
		6		1		1		1
		5		2		2		2
		4		3		3		3
		3		4	byte 23	bit 0		4
		2		5		1		5
		1		6		2		6
		0		7		3		7

1) Message bit numbers according to EBU specification of PDC system.  
2) Transmission bit number

**Order of Data Output on the I<sup>2</sup>C-Bus and Bit Allocation of the 3 Different Operating Modes**  
(cont'd)

I <sup>2</sup> C-Bus		PDC Packet 8/30				VPS Mode			
		Format 1		Format 2					
Byte 5	bit 7	byte 19	bit 0	byte 14	bit 0	byte 5	bit 0		
	6		1		1		1		
	5		2		2		2		
	4		3		3		3		
	3		4		byte 15		bit 0	4	
	2		5					1	5
	1		6					2	6
	0		7					3	7
Byte 6	bit 7	byte 20	bit 0	byte 24	bit 0	byte 15	bit 0		
	6		1		1		1		
	5		2		2		2		
	4		3		3		3		
	3		4		byte 25		bit 0	4	
	2		5					1	5
	1		6					2	6
	0		7					3	7
Byte 7	bit 7	byte 21	bit 0	byte 13	bit 0	– set to “1”			
	6		1		1	– set to “1”			
	5		2		2	– set to “1”			
	4		3		3	– set to “1”			
	3		4		– set to “1”		– set to “1”		
	2		5		– set to “1”		– set to “1”		
	1		6		– set to “1”		– set to “1”		
	0		7		– set to “1”		– set to “1”		

## Description of DAVN and EHB Outputs

DAVN (Data Valid active low)

EHB (First Field active high)

Signal Output	VPS Mode	PDC Mode	
		8/30/2	8/30/1
<b>DAVN</b>			
H/L-transition (set low)	in line 16 when valid VPS data is received	in the line carrying valid 8/30/2 data	in the line carrying valid 8/30/1 data
L/H-transition (set high)	at the start of line 16	at the beginning of the next field i.e., at the start of the next data entry window	
always set high	on power-up or during I <sup>2</sup> C-Bus accesses when the bus master doesn't acknowledge in order to generate the stop condition		
<b>EHB</b>			
L/H-transition	at the beginning of the first field		
H/L-transition	at the beginning of the second field		

In test mode (i.e. TI = high), both DAVN and EHB are controlled by the CS0 pin and reproduce the state of the CS0 input.

## Electrical Characteristics

### Absolute Maximum Ratings

$T_A = 25\text{ °C}$

Parameter	Symbol	Limit Values			Unit	Test Condition
		min.	typ.	max.		
Ambient temperature	$T_A$	0		70	°C	in operation
Storage temperature	$T_{stg}$	- 40		125	°C	by storage
Total power dissipation	$P_{tot}$			300	mW	
Power dissipation per output	$P_{DQ}$			10	mW	
Input voltage	$V_{IM}$	- 0.3		6	V	
Supply voltage	$V_{DD}$	- 0.3		6	V	
Thermal resistance	$R_{th\ SU}$			80	K/W	

### Operating Range

Supply voltage	$V_{DD}$	4.5	5	5.5	V	
Supply current	$I_{DD}$		5	15	mA	
Ambient temperature range	$T_A$	0		70	°C	

### Characteristics

$T_A = 25\text{ °C}$

Parameter	Symbol	Limit Values			Unit	Test Condition
		min.	typ.	max.		

### Input Signals SDA, SCL, CS0

H-input voltage	$V_{IH}$	$0.7 \times V_{DD}$		$V_{DD}$	V	
L-input voltage	$V_{IL}$	0		$0.3 \times V_{DD}$	V	
Input capacitance	$C_I$			10	pF	
Input current	$I_{IM}$			10	μA	

### Input Signal TI

H-input voltage	$V_{IH}$	$0.9 \times V_{DD}$		$V_{DD}$	V	
L-input voltage	$V_{IL}$	0		$0.1 \times V_{DD}$	V	
Input capacitance	$C_I$			10	pF	
Input current	$I_{IM}$			10	μA	

## Characteristics (cont'd)

$T_A = 25\text{ °C}$

Parameter	Symbol	Limit Values			Unit	Test Condition
		min.	typ.	max.		

### Input Signals CVBS

(pos. Video, neg. Sync)

Video input signal level	$V_{CVBS}$	0.7	1.0	2.0	V	
Synchron signal amplitude	$V_{SYNC}$	0.15	0.3	1.0	V	
Data amplitude	$V_{DAT}$	0.25 $1.5 \times V_{SYNC}$	0.5	1.0	V	VPS mode PDC mode
Coupling capacitor	$C_C$		33		nF	
H-input current	$I_{IH}$			10	$\mu\text{A}$	$V_I = 5\text{ V}$
L-input current	$I_{IL}$	- 1000	- 400	- 100	$\mu\text{A}$	$V_I = 0\text{ V}$
Source impedance	$R_S$			250	$\Omega$	
Leakage resistance at coupling capacitor	$R_C$	0.91	1	1.2	M $\Omega$	

### Output Signals DAVN, EHB, VCS

H-output voltage	$V_{QH}$	$V_{DD} - 0.5$			V	$I_Q = - 100\ \mu\text{A}$
L-output voltage	$V_{QL}$			0.4	V	$I_Q = 1.6\ \text{mA}$

### Output Signals SDA (Open-Drain-Stage)

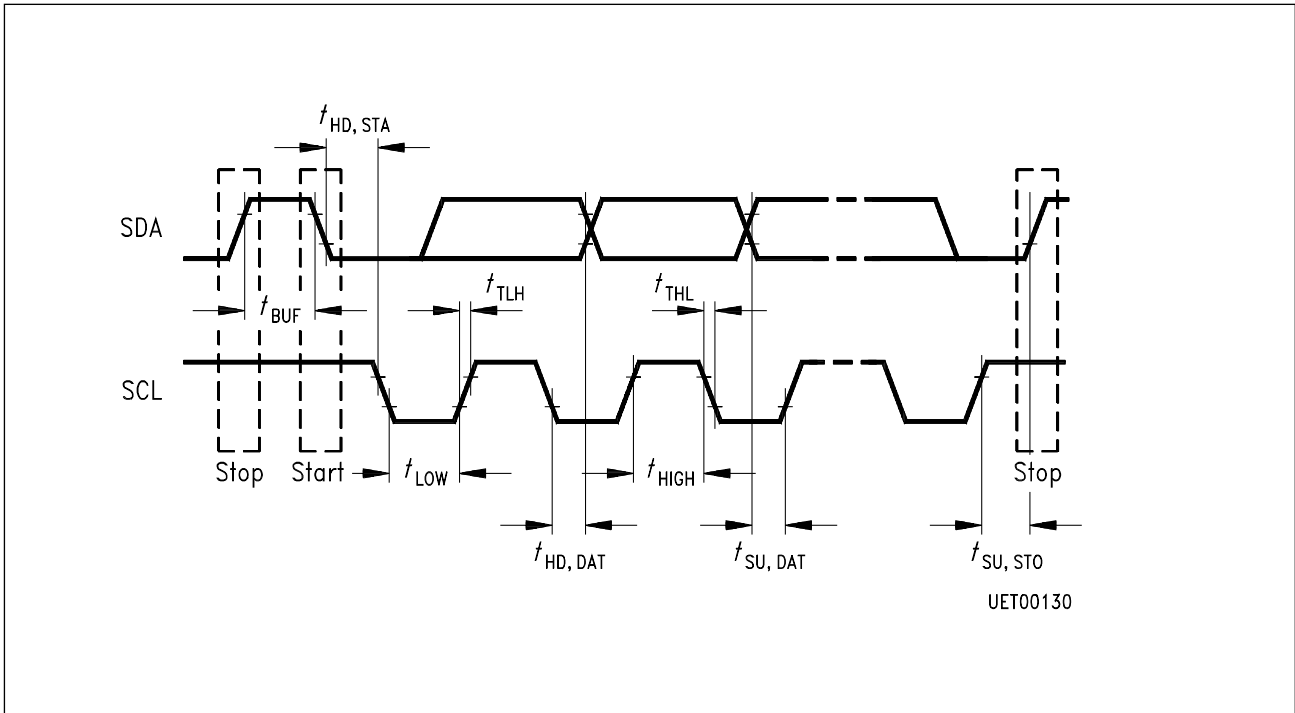
L-output voltage	$V_{QL}$			0.4	V	$I_Q = 3.0\ \text{mA}$
Permissible output voltage				5.5	V	

### PLL-Loop Filter Components (see application circuit)

Resistance at PD2/VCO2	$R_1$		6.8		k $\Omega$	
Resistance at VCO1	$R_2$		1200		k $\Omega$	
Attenuation resistance	$R_3$		6.8		k $\Omega$	
Resistance at PD2/VCO2	$R_5$		1200		k $\Omega$	
Integration capacitor	$C_1$		2.2		nF	
Integration capacitor	$C_3$		33		nF	

### VCO – Frequency Range Adjustment

Resistance at IREF (for bias current adjustment)	$R_4$		100		k $\Omega$	
--	-------	--	-----	--	------------	--

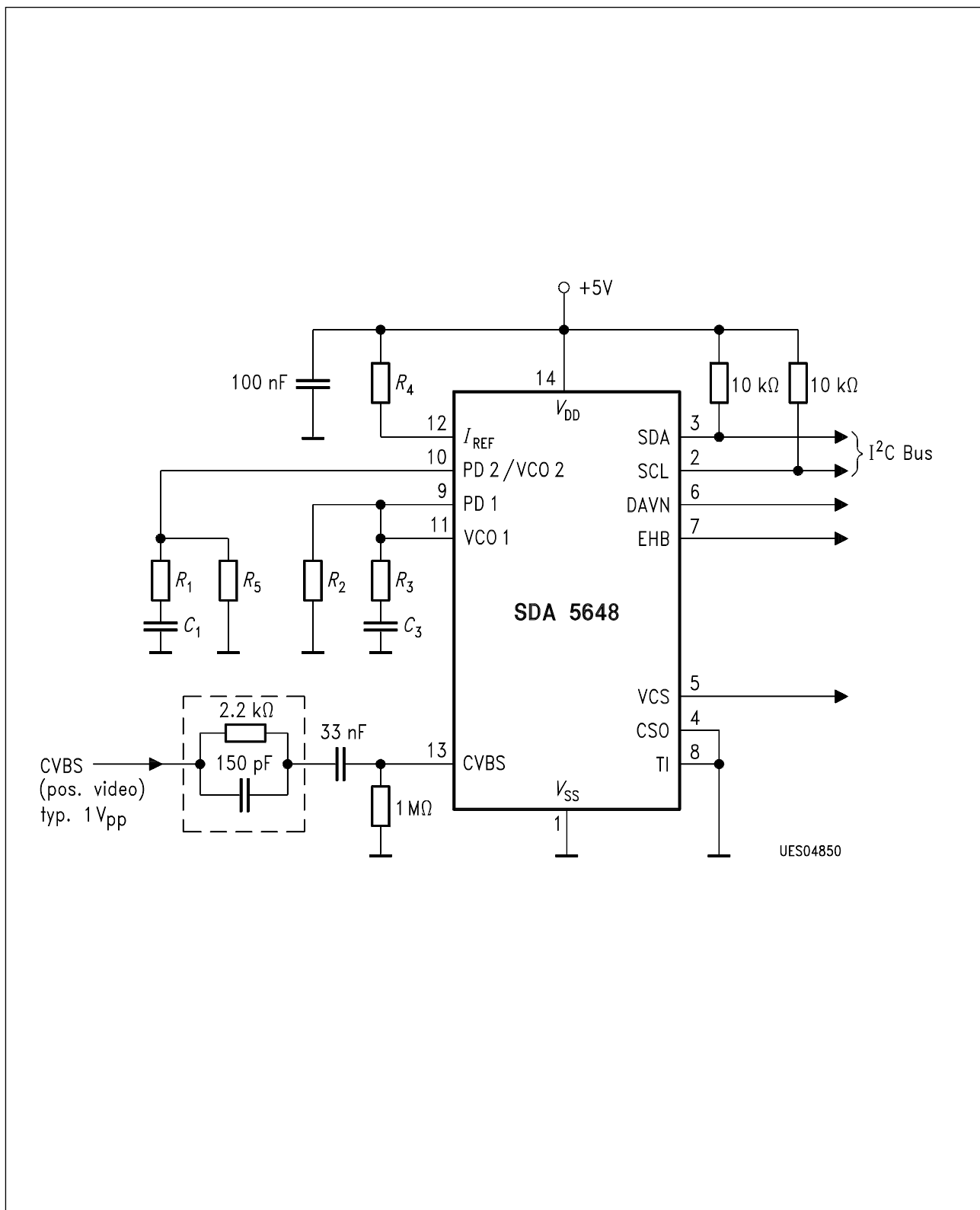


## I<sup>2</sup>C-Bus Timing

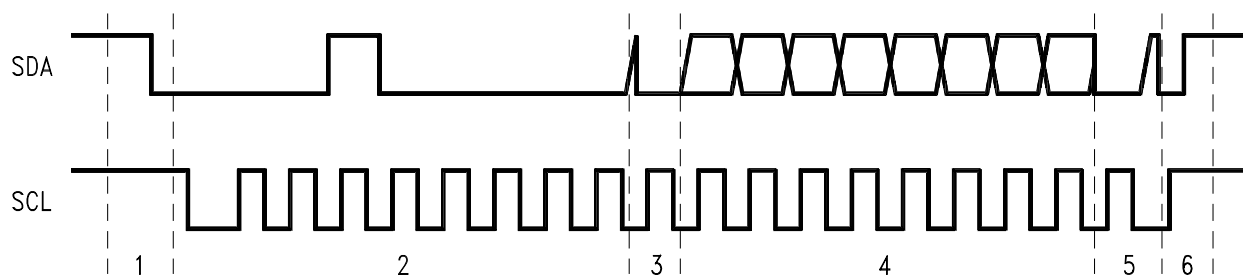
Parameter	Symbol	Limit Values		Unit
		min.	max.	
Clock frequency	$f_{SCL}$	0	100	kHz
Inactive time prior to new transmission start-up	$t_{BUF}$	4.7		$\mu$ s
Hold time during start condition	$t_{HD,STA}$	4.0		$\mu$ s
Low-period of clock	$t_{LOW}$	4.7		$\mu$ s
High-period of clock	$t_{HIGH}$	4.0		$\mu$ s
Set-up time for data	$t_{SU,DAT}$	250		ns
Rise time for SDA and SCL signal	$t_{TLH}$		1	$\mu$ s
Fall time for SDA and SCL signal	$t_{THL}$		300	ns
Set-up time for SCL clock during stop condition	$t_{SU,STO}$	4.7		$\mu$ s

All values referred to  $V_{IH}$  and  $V_{IL}$  levels.

## PDC/VPS-Receiver



Application Circuit

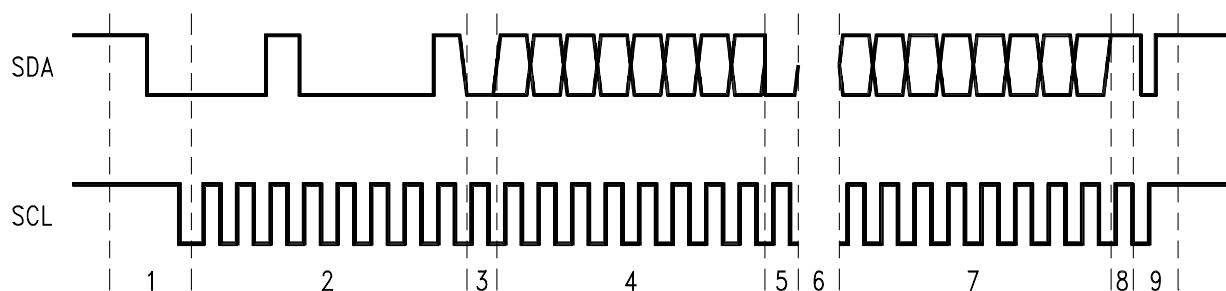


- 1 Start Condition
- 2 Chip Address Write Mode
- 3 Acknowledge by Slave
- 4 Data byte for Control Register
- 5 Acknowledge by Slave
- 6 Stop Condition

UET06178

## I<sup>2</sup>C-Bus Signals During Write Operations

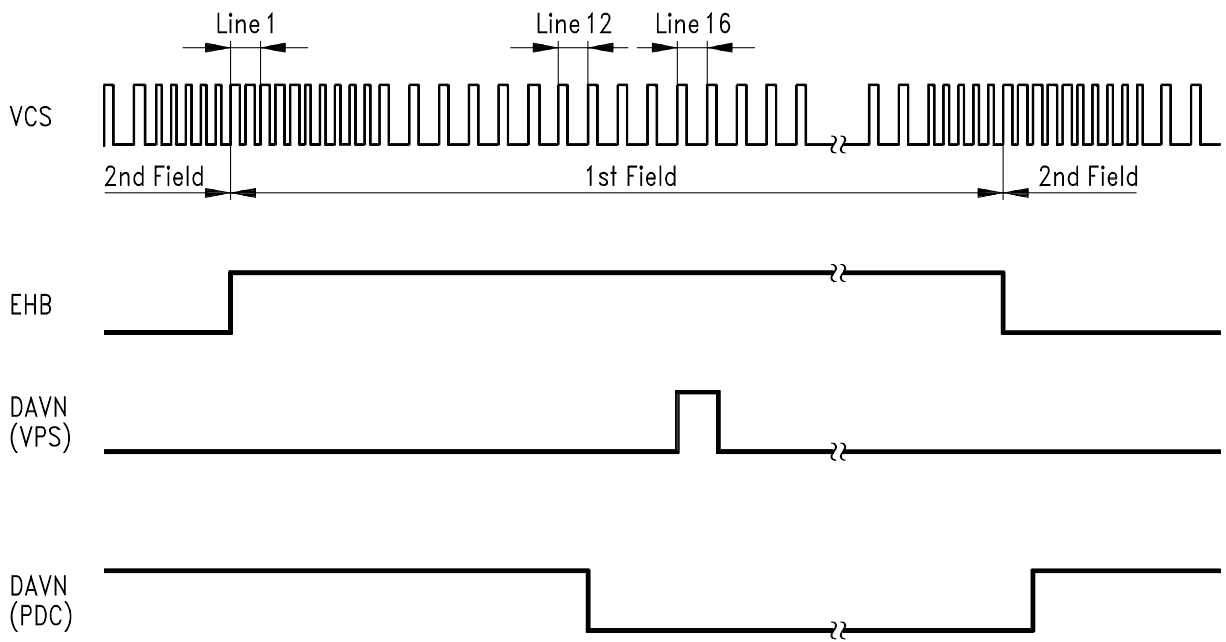




- 1 Start Condition
- 2 Chip Address
- 3 Acknowledge by Slave
- 4 Output of 1st Data byte from Slave to Master
- 5 Acknowledge by Master
- 6 Output of further bytes
- 7 Output of last byte
- 8 No Acknowledge by Master
- 9 Stop Condition

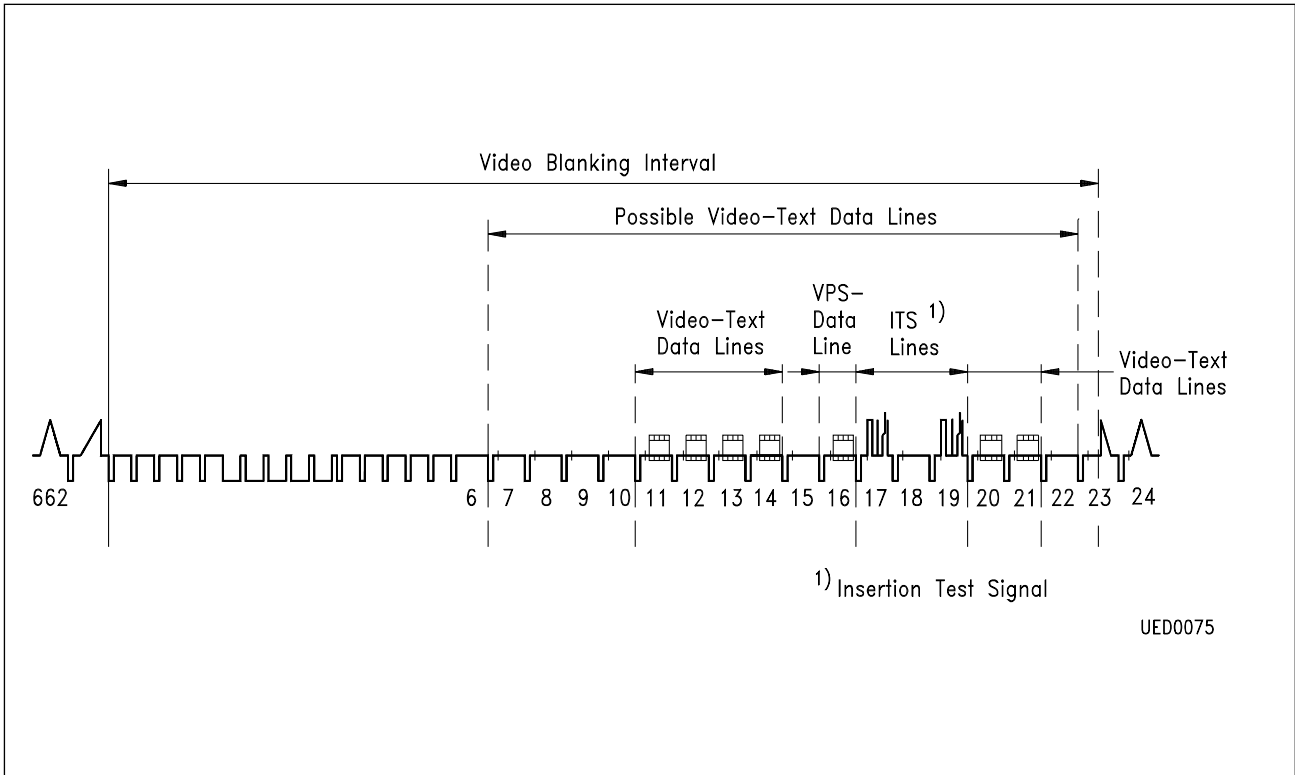
UET06179

## I<sup>2</sup>C-Bus Signals During Read Operations

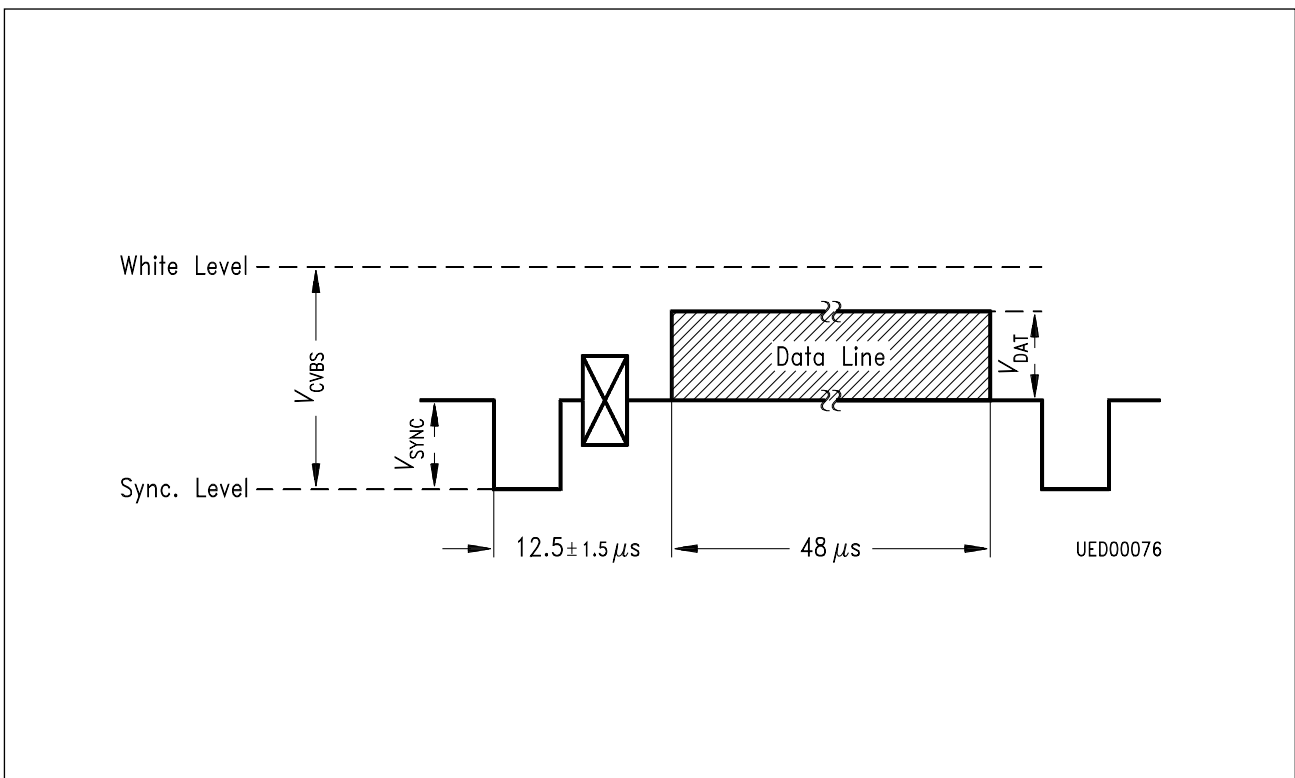


In this example: 8/30/2 packet is received in line 12

UET06180



**Position of Teletext and VPS Data Lines within the Vertical Blanking Interval**  
(shown for first field)



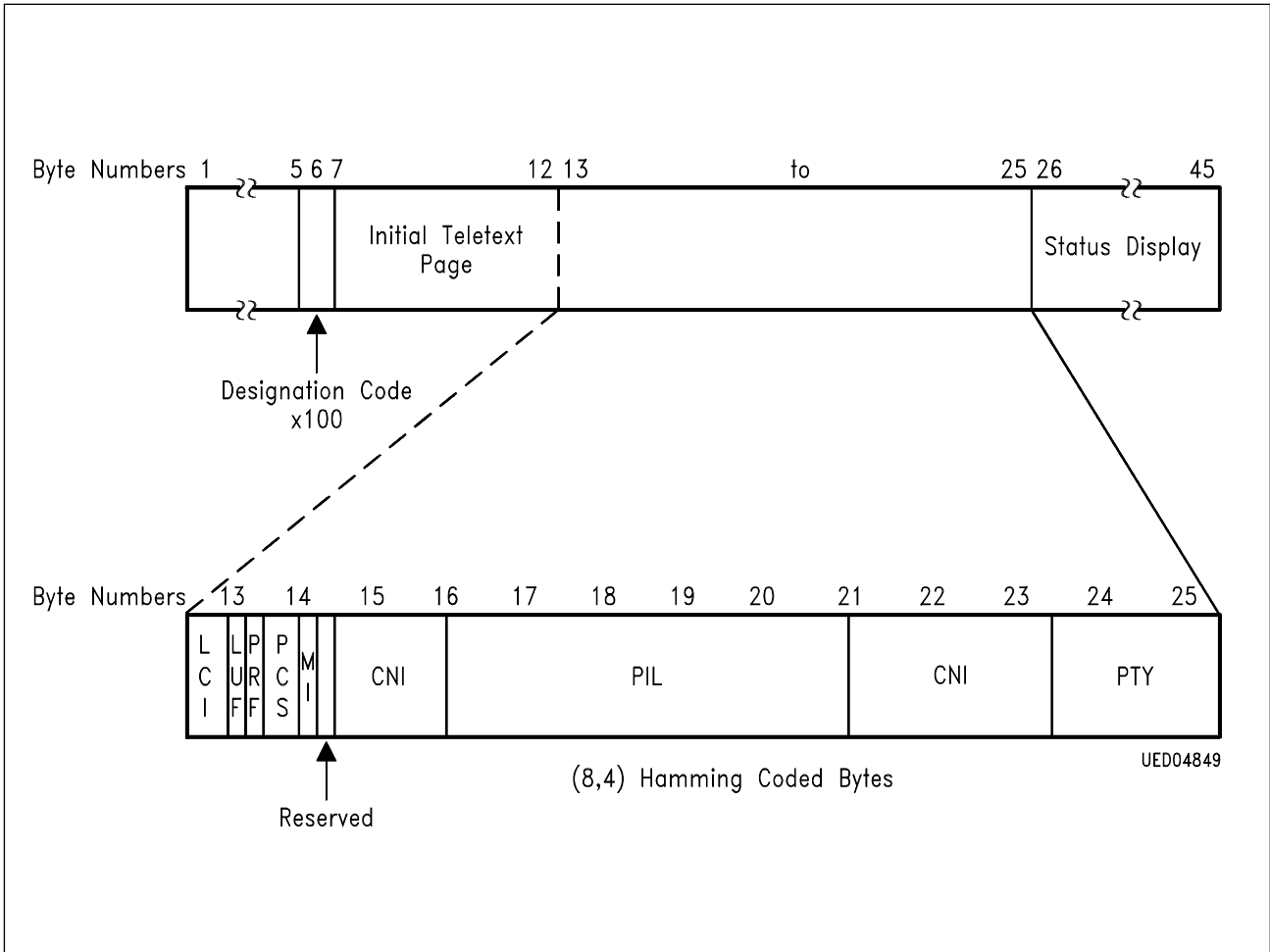
**Definition of Voltage Levels for VPS Data Line**

## BDSP 8/30 Format 1 Bit Allocation

Byte No.	Bit No.								Contents
	0	1	2	3	4	5	6	7	
15	Weight		Weight			Sign			Time Offset Code
	$2^{-2}$	$2^{-1}$	$2^0$	$2^1$	$2^2$	$2^3$	0	1	
16	MJD Digit Weight $10^4$				1	1	1	1	Modified Julian Date (MJD) 1. Byte
17	MJD Digit Weight $10^2$				MJD Digit Weight $10^3$				Modified Julian Date 2. Byte
18	MJD Digit Weight $10^0$				MJD Digit Weight $10^1$				Modified Julian Date (MJD) 3. Byte
19	UTC Hours Units				UTC Hours Tens				Universal Time Coordinated (UTC) 1. Byte
20	UTC Minutes Units				UTC Minutes Tens				Universal Time Coordinated 2. Byte
21	UTC Seconds Units				UTC Seconds Tens				Universal Time Coordinated 3. Byte

This corresponds to the coding adopted in CCIR teletext system B BDSP 8/30 format 1.

NB: The received bytes are output on the I<sup>2</sup>C-bus in a transparent way, i.e., on a bit-first-in-first-out basis. No bit manipulation is performed on the chip in this operating mode. When evaluating the numbers, note that each 4-bit-digit has been incremented by one prior to transmission, and the least significant bits are transmitted first.



**Structure of the Teletext Data Packet 8/30 Format 2**

## BDSP 8/30 Format 2 Bit Allocation

The four message bits of byte 13 are used as follows:

byte 13 bit 0 – LCI  $b_1$  ) label channel identifier  
 1 – LCI  $b_2$  )  
 2 – LUF label update flag  
 3 – reserved but as yet undefined

The message bits of bytes 14 – 25 are used in a way similar to the coding of the label in the dedicated television line as follows:

byte 14 bit 0 PCS $b_1$ ) status of	byte 20 bit 0 PIL $b_{15}$ )	
1 PCS $b_2$ ) analogue sound	1 PIL $b_{16}$ )	
2 ) reserved but yet	2 PIL $b_{17}$ )	minute
3 ) undefined	3 PIL $b_{18}$ )	
	byte 21 bit 0 PIL $b_{19}$ )	
	1 PIL $b_{20}$ )	
byte 15 bit 0 CNI $b_1$ )		
1 CNI $b_2$ ) country	2 CNI $b_5$ )	
2 CNI $b_3$ )	3 CNI $b_6$ )	country
3 CNI $b_4$ )	byte 22 bit 0 CNI $b_7$ )	
	1 CNI $b_8$ )	
byte 16 bit 0 CNI $b_9$ ) network (or		
1 CNI $b_{10}$ ) program provider)	2 CNI $b_{11}$ )	
	3 CNI $b_{12}$ )	
2 PIL $b_1$ )	byte 23 bit 0 CNI $b_{13}$ )	network (or
3 PIL $b_2$ )	1 CNI $b_{14}$ )	program
byte 17 bit 0 PIL $b_3$ ) day	2 CNI $b_{15}$ )	provider)
1 PIL $b_4$ )	3 CNI $b_{16}$ )	
2 PIL $b_5$ )		
3 PIL $b_6$ )	byte 24 bit 0 PTY $b_1$ )	
byte 18 bit 0 PIL $b_7$ ) month	1 PTY $b_2$ )	
1 PIL $b_8$ )	2 PTY $b_3$ )	
2 PIL $b_9$ )	3 PTY $b_4$ )	program
	byte 25 bit 0 PTY $b_5$ )	type
3 PIL $b_{10}$ )	1 PTY $b_6$ )	
byte 19 bit 0 PIL $b_{11}$ )	2 PTY $b_7$ )	
1 PIL $b_{12}$ ) hour	3 PTY $b_8$ )	
2 PIL $b_{13}$ )		
3 PIL $b_{14}$ )		

## Data Format of the Program Delivery Data in the Dedicated TV Line

Parameter →	PCS				CNI				PIL				CNI				PTY				
	1	2	3 & 4	5	6 to 10	11	12	13	14	15	16	17	18	19	20	21	22	23	24		
Byte No. →																					
Parameter bits b <sub>i</sub> , I = →																					
Transmission bit No. →																					
Content →	Clock run-in	Start code	Not relevant to PDC	Reserved for enhancement of VPS	Not relevant to PDC	Net. or prov. bin.	Day binary	Month binary	Hour binary	Minute binary	Country binary	Network or program provider binary	Program type binary								
		Bits b <sub>1</sub> and b <sub>2</sub> : 00 don't know 01 mono 10 stereo 11 dual sound Bits b <sub>3</sub> and b <sub>4</sub> are reserved		M L		M	M	L M	L M	L M	L M	L M	L M	L M							
Reserved code values for receiver control (service codes)	Timer control code	N.....N				N N 0 0 0 0 0 0	1 1 1 1 1 1 1 1	1 1 1 1 1 1 1 1	1 1 1 1 1 1 1 1	1 1 1 1 1 1 1 1	N.....N	N.....N	A.....A								
	Record inhibit/term.	N.....N				N N 0 0 0 0 0 0	1 1 1 1 1 1 1 1	1 1 1 1 1 1 1 1	1 1 1 1 1 1 1 1	1 1 1 1 1 1 1 1	N.....N	N.....N	A.....A								
	Interruption code	N.....N				N N 0 0 0 0 0 0	1 1 1 1 1 1 1 1	1 1 1 1 1 1 1 1	1 1 1 1 1 1 1 1	1 1 1 1 1 1 1 1	N.....N	N.....N	A.....A								
	Continuation code	N.....N				N N 0 0 0 0 0 0	1 1 1 1 1 1 1 1	1 1 1 1 1 1 1 1	1 1 1 1 1 1 1 1	1 1 1 1 1 1 1 1	N.....N	N.....N	A.....A								
	Unenhanced VPS	1 1 1 1				N N P.....P	.....	.....	.....	.....	N.....N	N.....N	A.....A								
PTY not in use	N.....N				N N P.....P	.....	.....	.....	.....	.....P	.....	.....	1 1 1 1 1 1 1 1								

Abbreviations: CNI = Country and Network Identification  
 PCS = Program Control Status  
 PIL = Program Identification Label  
 PTY = Program Type

M = Most-significant bit  
 L = Least-significant bit

A = Bit value is that of the current PTY code  
 N = Bit value is that of the current CNI code  
 P = Bit value is that of the current PIL code