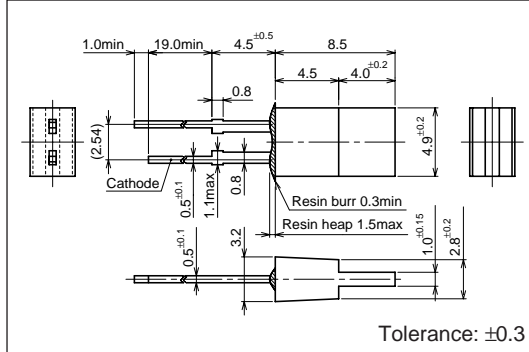


1×5 Rectangular LED

SEL1024 Series

External Dimensions (Unit: mm)



Absolute maximum ratings (Ta=25°C)

Symbol	Unit	Rating	Condition
I _F	mA	30	
ΔI _F	mA/°C	-0.45	Above 25°C
I _{FP}	mA	100	f=1kHz, tw≤100μs
V _R	V	3	
Top	°C	-30 to +85	
T _{stg}	°C	-30 to +100	

Electrical Optical characteristics (Ta=25°C)

Emitting color	Part Number	Lens color	Forward voltage		Reverse current		Intensity		Peak wavelength		Spectrum half width		Chip material	
			V _F		I _R	V _R	I _v	I _F	λ _P	Δλ	I _F			
			typ	max								Condition I _F		Condition I _R
Deep red	SEL1124R	Diffused red	2.0	2.5	10	50	3	0.5	10	700	10	100	10	GaP
Amber	SEL1824D	Diffused orange	1.9	2.5	10	50	3	4.0	10	610	10	35	10	GaAsP
Orange	SEL1924D	Diffused orange	1.9	2.5	10	50	3	3.0	10	587	10	33	10	
Yellow	SEL1724Y	Diffused yellow	2.0	2.5	10	50	3	6.0	10	570	10	30	10	GaP
Green	SEL1424G	Diffused green	2.0	2.5	10	50	3	15	20	560	10	20	10	