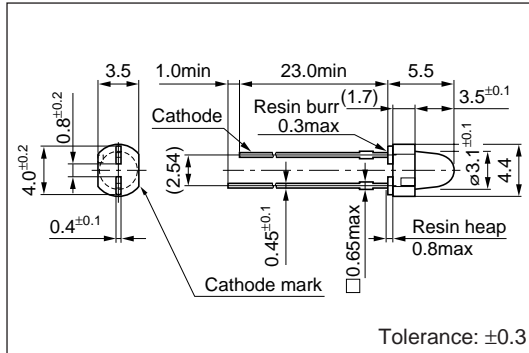


# 3 $\phi$ Round Narrow-directivity LED (Direct Mount)

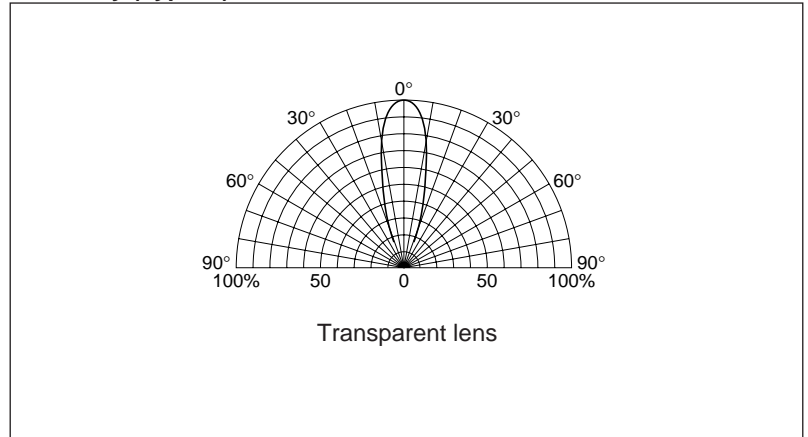
## SEL6015 Series

### External Dimensions

(Unit: mm)



### Directivity (Typical)



### Absolute maximum ratings (Ta=25°C)

Symbol	Unit	Rating	Condition
$I_F$	mA	30	
$\Delta I_F$	mA/°C	-0.45	Above 25°C
$I_{FP}$	mA	100	f=1kHz, tw $\leq$ 100 $\mu$ s
$V_R$	V	3	
Top	°C	-30 to +85	
Tstg	°C	-30 to +100	

### Electrical Optical characteristics (Ta=25°C)

Emitting color	Part Number	Lens color	Forward voltage		Reverse current		Intensity		Peak wavelength		Spectrum half width		Chip material	
			$V_F$ (V)	Condition $I_F$ (mA)	$I_R$ ( $\mu$ A) max	Condition $V_R$ (V)	$I_v$ (mcd) typ	Condition $I_F$ (mA)	$\lambda_P$ (nm) typ	Condition $I_F$ (mA)	$\Delta\lambda$ (nm) typ	Condition $I_F$ (mA)		
														typ
Red	SEL6215S	Transparent red	1.9	2.5	10	50	3	45	20	630	10	35	10	GaAsP
Orange	SEL6915A	Transparent orange	1.9	2.5	10	50	3	60	20	587	10	33	10	
Yellow	SEL6715C	Clear	2.0	2.5	10	50	3	90	20	570	10	30	10	
Green	SEL6415E	Transparent green	2.0	2.5	10	50	3	81	20	560	10	20	10	GaP
Pure green	SEL6515C	Clear	2.0	2.5	10	50	3	44	20	555	10	20	10	