

1. Test conditions

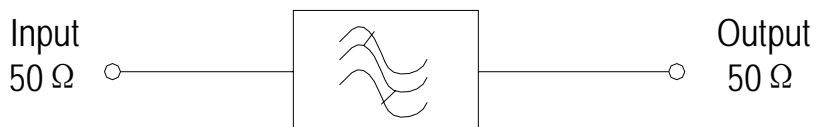
RF power	0	dBm
Room Temperature	25	°C
Terminating source impedance (ZS):	50	
Terminating load impedance (ZL):	50	


2. Specifications

	Minimum	Typical	Maximum	Unit
Centre frequency		452.4		MHz
Pass Band	450		454.8	MHz
Insertion Loss in Pass Band		2.0	2.8	dB
VSWR in Pass Band		1.2:1	1.4:1	
Absolute Rejection 0.3 MHz – 440MHz	30	32		dB
RX Rejection 460 MHz – 464.8 MHz	35	45		dB
460 MHz – 464.8 MHz *)	40	45		dB
Rejection 900 MHz Cellular 464.8 MHz – 1565 MHz	30	34		dB
Rejection GPS Band 1565 MHz – 1585 MHz	30	37		dB
Rejection PCS DCS UMTS 1585 MHz – 1800 MHz	30	37		dB
Operating temperature range	-30		+85	°C
Temperature coefficient of frequency		-30		ppm/°C
Maximum Power			27	dBm

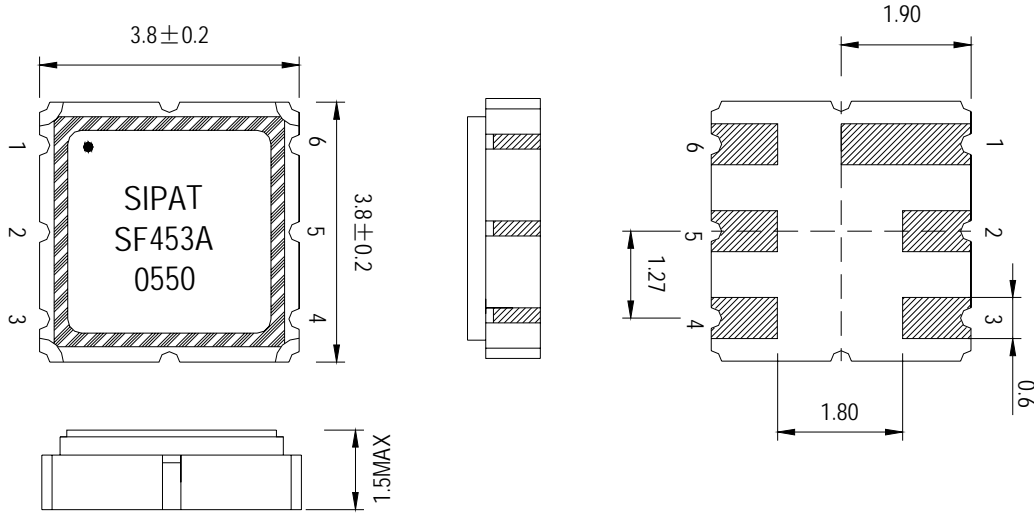
*) Temperature Range: -10 ... +60°C

3. Matching Network



	SIPAT Co., Ltd. (CETC No. 26 Research Institute) Nanping Huayuan Road No. 14 Chongqing, China, 400060	Part Number	SF453A	
		Rev. Date	2005-12-15	
		Rev.	PR6.0	Page

4. Package Dimension



Pin No.	Function
2.	Input
5.	Output
Other	Ground

*Dimensions shown are nominal in millimeters

Body : Al₂O₃ Ceramic / Lid : Kovar, Ni Plated


Terminations : Au plating 0.3 ~ 1.0 um, Over a 1.27 ~ 8.89 um

Ni Plating

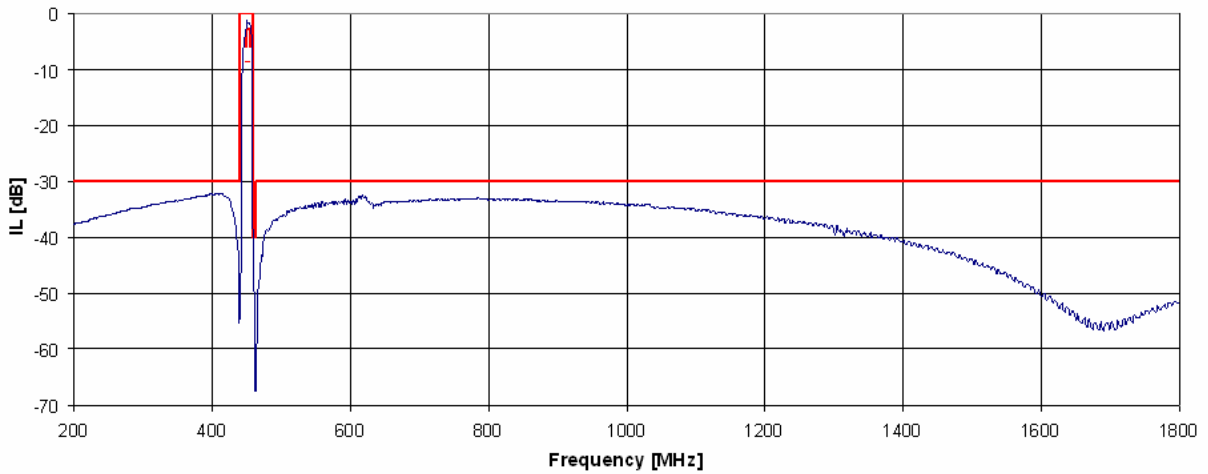
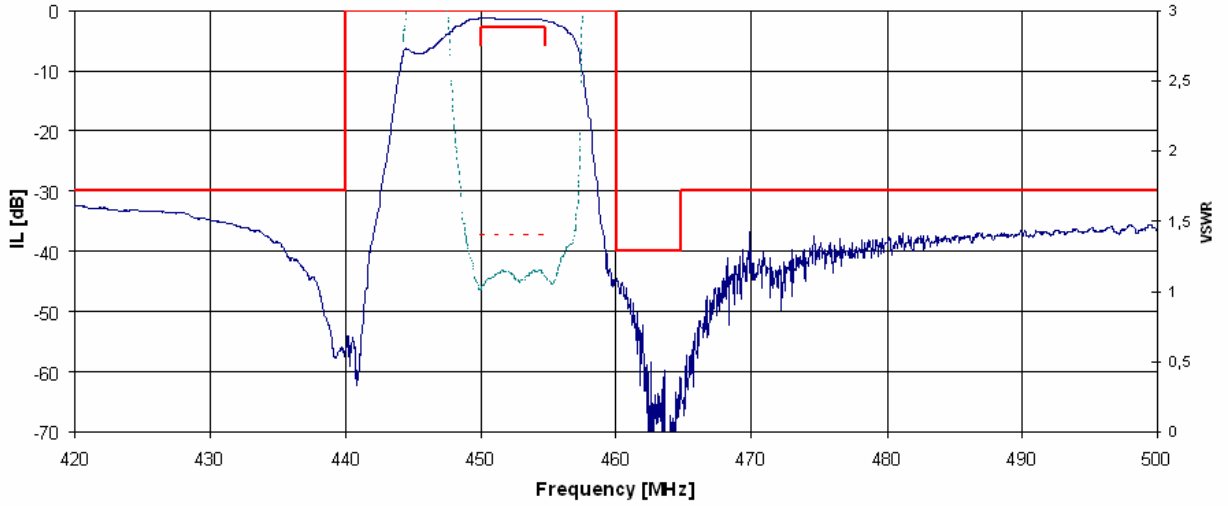
5. Marking Configuration


- 1) *
- 2) SIPAT
- 3) SF453A
- 4) 0550

- 1) Pad Number 1 Index
- 2) Manufacturer name
- 3) Part Number
- 4) Date Code

	SIPAT Co., Ltd. (CETC No. 26 Research Institute) Nanping Huayuan Road No. 14 Chongqing, China, 400060	Part Number	SF453A
		Rev. Date	2005-12-15
		Rev.	PR6.0

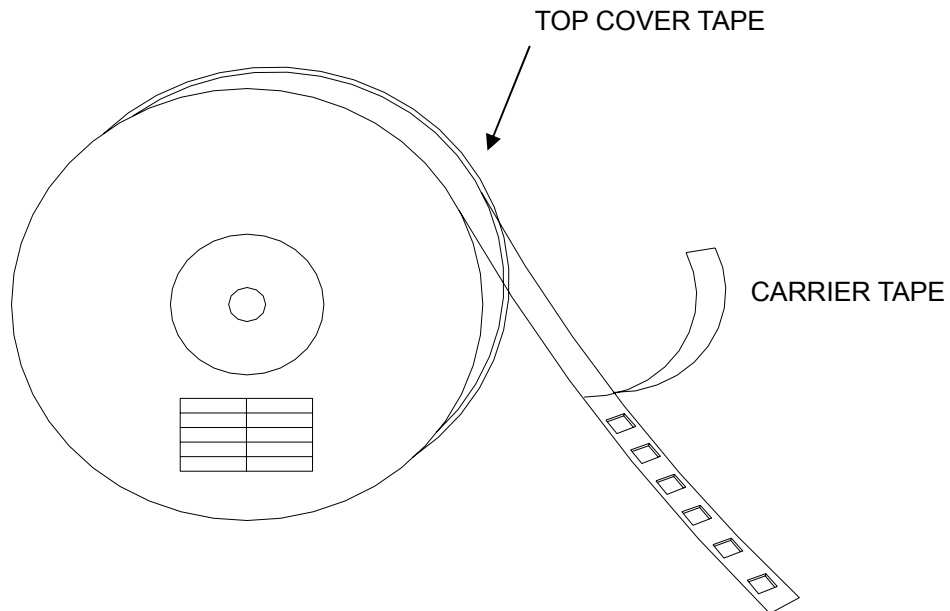
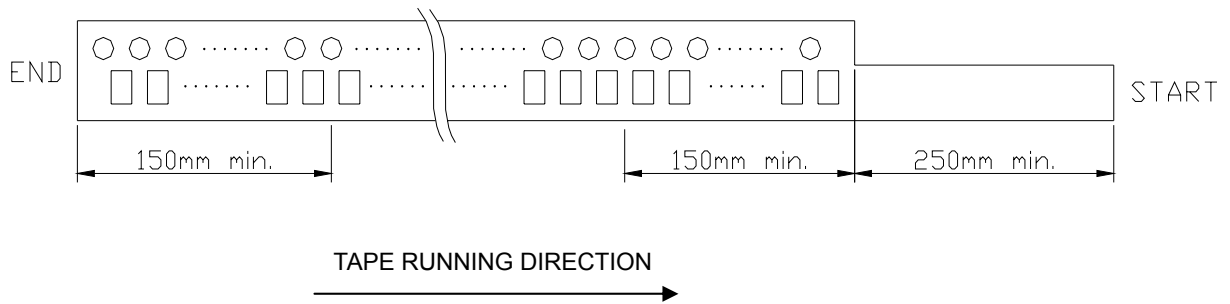
6. Typical performance




	SIPAT Co., Ltd. (CETC No. 26 Research Institute) Nanping Huayuan Road No. 14 Chongqing, China, 400060	Part Number	SF453A
		Rev. Date	2005-12-15
		Rev.	PR6.0

7. Packing

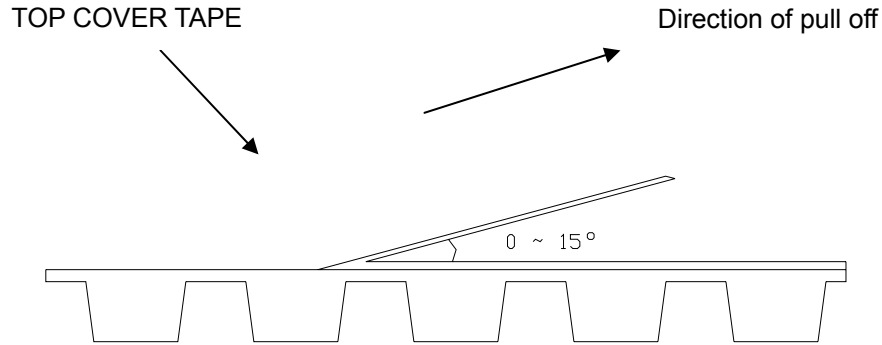
1. Reeling Quantity : 3000 pcs / 13" reel (or 1000 pcs / 7" reel)
2. Taping Structure : The tape shall be wound around the reel in the direction shown below.



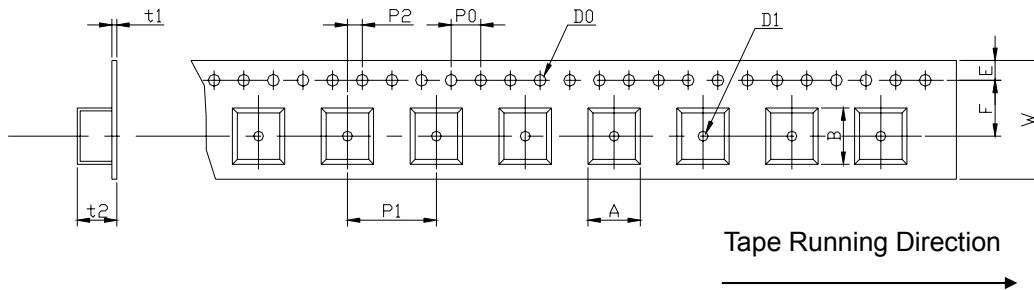
	SIPAT Co., Ltd. (CETC No. 26 Research Institute) Nanping Huayuan Road No. 14 Chongqing, China, 400060	Part Number	SF453A	
		Rev. Date	2005-12-15	
		Rev.	PR6.0	Page 4/6

3. Top Cover Tape Adhesion (See the below figure)


- (1) pull off angle: 0~15°
- (2) speed: 300mm/min.
- (3) force: 20~70g



[Unit: mm]

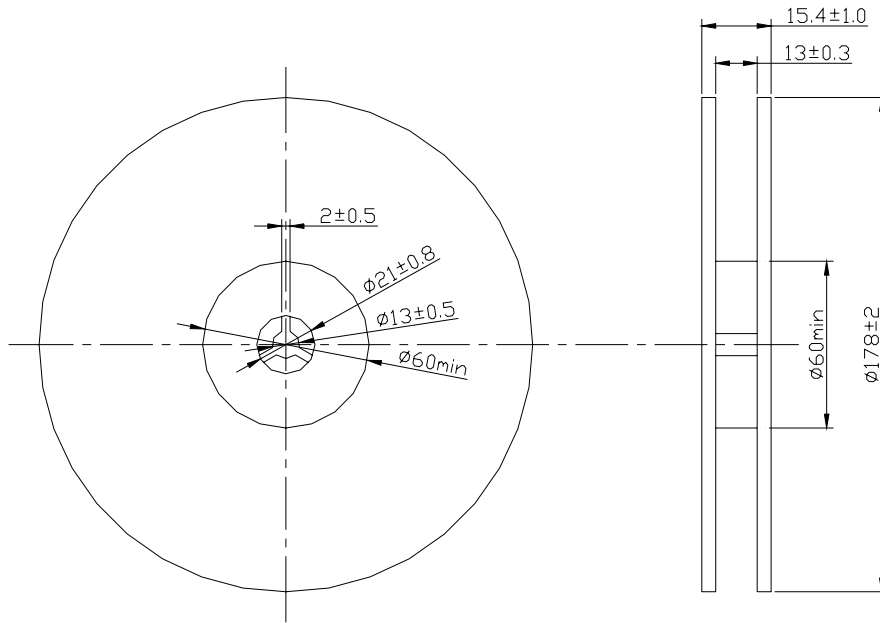


W	F	E	P0	P1	P2	D0	D1	t1	t2	A	B
12.0	5.5	1.75	4.0	8.0	2.0	Φ1.5	Φ1.5	0.31	1.95	4.1	4.1
±0.3	±0.1	±0.1	±0.2	±0.1	±0.2	±0.1	±0.25	max.	max.	max.	max.

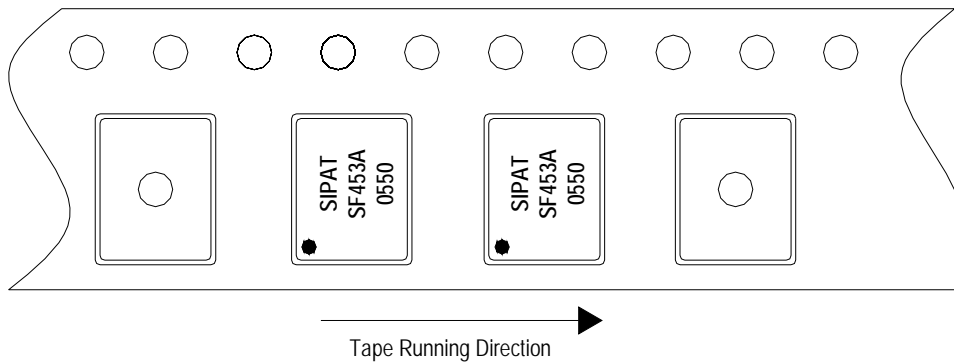
	SIPAT Co., Ltd. (CETC No. 26 Research Institute) Nanping Huayuan Road No. 14 Chongqing, China, 400060	Part Number	SF453A	
		Rev. Date	2005-12-15	
		Rev.	PR6.0	Page


4.Reel Dimensions

[Unit: mm]



5. Part Direction



	SIPAT Co., Ltd. (CETC No. 26 Research Institute) Nanping Huayuan Road No. 14 Chongqing, China, 400060	Part Number		SF453A
		Rev. Date		2005-12-15
		Rev.	PR6.0	Page