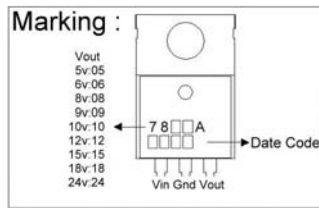
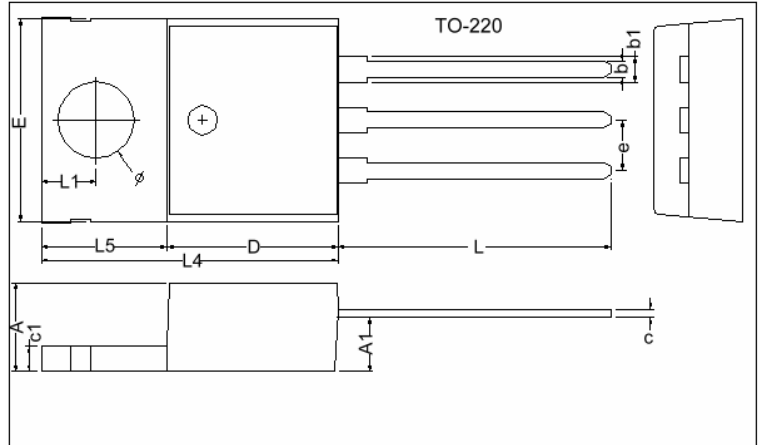


### Description

The SG78XXA series of fixed-voltage monolithic integrated-circuit voltage regulators designed for a wide range of applications. These applications include on-card regulation for elimination of noise and distribution problems associated with single-point regulation. Each of these regulators can deliver up to 1.5A of output current. The internal current limiting and thermal shutdown features of these regulators make them essentially immune to overload.

### Features

- \*5V,6V,8V,9V,10V,12V,15V,18V,24V Output Voltage Available
- \*Output Transistor Safe-Area Compensation
- \*No External Components
- \*Internal Thermal Overload Protection
- \*Internal Short-Circuit Current Limiting
- \*High Power Dissipation Capability



REF.	Millimeter		REF.	Millimeter	
	Min.	Max.		Min.	Max.
A	4.40	4.80	c1	1.25	1.45
b	0.76	1.00	b1	1.17	1.47
c	0.36	0.50	L	13.25	14.25
D	8.60	9.00	E	2.54 REF.	
E	9.80	10.4	L1	2.60	2.89
L4	14.7	15.3	Ø	3.71	3.96
L5	6.20	6.60	A1	2.60	2.80

### Absolute Maximum Ratings

Parameter	Symbol	Ratings	Unit
Input Voltage	SG7805A~18A	$V_{IN}$	35
	SG7824A	$V_{IN}$	40
Output Current	$I_o$	1.5	A
Operating Junction And Storage Temperature Range	$T_j, T_{stg}$	-55~+150	°C
Thermal Resistance Junction-Air	$R_{\theta JA}$	65	W/°C
Thermal Resistance Junction-Cases	$R_{\theta JC}$	5	W/°C

### Electrical Characteristics

**SG7805A** (Refer to the test circuits,  $T_j=0\sim 125^\circ\text{C}$ ,  $I_o=500\text{mA}$ ,  $V_{IN}=10\text{V}$ ,  $C_{IN}=0.33\mu\text{F}$ ,  $C_o=0.1\mu\text{F}$  unless otherwise specified)

Symbol	Min.	Typ.	Max.	Unit	Test Condition	
$V_o$	A-Rank (3%)	4.85	5	5.15	V	$V_{IN}=10\text{V}, I_o=500\text{mA}, T_j=25^\circ\text{C}$ $7.5\text{V} \leq V_{IN} \leq 20\text{V}, 5\text{mA} \leq I_o \leq 1\text{A}, PD \leq 15\text{W}$
	B-Rank (5%)	4.75	-	5.25		
$\Delta V_o$ (Line Regulation)	-	3	100	mV	$7\text{V} \leq V_{IN} \leq 25\text{V}, I_o=500\text{mA}, T_j=25^\circ\text{C}$ $8\text{V} \leq V_{IN} \leq 12\text{V}, I_o=500\text{mA}, T_j=25^\circ\text{C}$	
	-	1	50			
$\Delta V_o$ (Load Regulation)	-	15	100	mV	$V_{IN}=10\text{V}, 5\text{mA} \leq I_o \leq 1.5\text{A}, T_j=25^\circ\text{C}$ $V_{IN}=10\text{V}, 250\text{mA} \leq I_o \leq 750\text{mA}, T_j=25^\circ\text{C}$	
	-	5	50			
$I_o$	-	4.2	8	mA	$V_{IN}=10\text{V}, I_o=500\text{mA}, T_j=25^\circ\text{C}$	
$\Delta I_o$	-	-	0.5	mA	$V_{IN}=10\text{V}, 5\text{mA} \leq I_o \leq 1\text{A}$ $7\text{V} \leq V_{IN} \leq 25\text{V}, I_o=500\text{mA}$	
	-	-	1.3			
$V_N$	-	40	-	uA	$10\text{Hz} \leq f \leq 100\text{Hz}, T_j=25^\circ\text{C}$	
RR	62	-	-	dB	$8\text{V} \leq V_{IN} \leq 18\text{V}, f=120\text{Hz}, T_j=25^\circ\text{C}$	
$V_D$	-	2	-	V	$I_o=1\text{A}, T_j=25^\circ\text{C}$	
$I_{SC}$	-	750	-	mA	$V_{IN}=10\text{V}, T_j=25^\circ\text{C}$	
$I_{PK}$	-	2.2	-	mA	$T_j=25^\circ\text{C}$	
$\Delta V_o/\Delta T_j$	-	-1.1	-	mV/°C	$I_o=5\text{mA}, 0^\circ\text{C} \leq T_j \leq 25^\circ\text{C}$	

**SG7806A** (Refer to the test circuits,  $T_j=0\sim 125^\circ\text{C}$ ,  $I_o=500\text{mA}$ ,  $V_{IN}=11\text{V}$ ,  $C_{IN}=0.33\mu\text{F}$ ,  $C_O=0.1\mu\text{F}$  unless otherwise specified)

Symbol		Min.	Typ.	Max.	Unit	Test Condition
$V_o$	A-Rank (3%)	5.82	6	6.18	V	$V_{IN}=11\text{V}, I_o=500\text{mA}, T_j=25^\circ\text{C}$ $8\text{V} \leq V_{IN} \leq 21\text{V}, 5\text{mA} \leq I_o \leq 1\text{A}, PD \leq 15\text{W}$
	B-Rank (5%)	5.7	-	6.3		
$\Delta V_o$ (Line Regulation)		-	5	120	mV	$8\text{V} \leq V_{IN} \leq 25\text{V}, I_o=500\text{mA}, T_j=25^\circ\text{C}$
		-	1.5	60		$9\text{V} \leq V_{IN} \leq 13\text{V}, I_o=500\text{mA}, T_j=25^\circ\text{C}$
$\Delta V_o$ (Load Regulation)		-	14	120	mV	$V_{IN}=11\text{V}, 5\text{mA} \leq I_o \leq 1.5\text{A}, T_j=25^\circ\text{C}$
		-	4	60		$V_{IN}=11\text{V}, 250\text{mA} \leq I_o \leq 750\text{mA}, T_j=25^\circ\text{C}$
$I_o$		-	4.3	8	mA	$V_{IN}=11\text{V}, I_o=500\text{mA}, T_j=25^\circ\text{C}$
$\Delta I_o$		-	-	0.5	mA	$V_{IN}=11\text{V}, 5\text{mA} \leq I_o \leq 1\text{A}$
		-	-	1.3		$8\text{V} \leq V_{IN} \leq 25\text{V}, I_o=500\text{mA}$
$V_N$		-	45	-	$\mu\text{A}$	$10\text{Hz} \leq f \leq 100\text{Hz}, T_j=25^\circ\text{C}$
RR		59	-	-	dB	$9\text{V} \leq V_{IN} \leq 19\text{V}, f=120\text{Hz}, T_j=25^\circ\text{C}$
$V_D$		-	2	-	V	$I_o=1\text{A}, T_j=25^\circ\text{C}$
$I_{SC}$		-	550	-	mA	$V_{IN}=11\text{V}, T_j=25^\circ\text{C}$
$I_{PK}$		-	2.2	-	mA	$T_j=25^\circ\text{C}$
$\Delta V_o/\Delta T_j$		-	-0.8	-	mV/ $^\circ\text{C}$	$I_o=5\text{mA}, 0^\circ\text{C} \leq T_j \leq 25^\circ\text{C}$

**SG7808A** (Refer to the test circuits,  $T_j=0\sim 125^\circ\text{C}$ ,  $I_o=500\text{mA}$ ,  $V_{IN}=14\text{V}$ ,  $C_{IN}=0.33\mu\text{F}$ ,  $C_O=0.1\mu\text{F}$  unless otherwise specified)

Symbol		Min.	Typ.	Max.	Unit	Test Condition
$V_o$	A-Rank (3%)	7.76	8	8.24	V	$V_{IN}=14\text{V}, I_o=500\text{mA}, T_j=25^\circ\text{C}$ $10.5\text{V} \leq V_{IN} \leq 23\text{V}, 5\text{mA} \leq I_o \leq 1\text{A}, PD \leq 15\text{W}$
	B-Rank (5%)	7.6	-	8.4		
$\Delta V_o$ (Line Regulation)		-	6	160	mV	$10.5\text{V} \leq V_{IN} \leq 25\text{V}, I_o=500\text{mA}, T_j=25^\circ\text{C}$
		-	2	80		$11\text{V} \leq V_{IN} \leq 17\text{V}, I_o=500\text{mA}, T_j=25^\circ\text{C}$
$\Delta V_o$ (Load Regulation)		-	12	160	mV	$V_{IN}=14\text{V}, 5\text{mA} \leq I_o \leq 1.5\text{A}, T_j=25^\circ\text{C}$
		-	4	80		$V_{IN}=14\text{V}, 250\text{mA} \leq I_o \leq 750\text{mA}, T_j=25^\circ\text{C}$
$I_o$		-	4.3	8	mA	$V_{IN}=14\text{V}, I_o=500\text{mA}, T_j=25^\circ\text{C}$
$\Delta I_o$		-	-	0.5	mA	$V_{IN}=14\text{V}, 5\text{mA} \leq I_o \leq 1\text{A}$
		-	-	1		$10.5\text{V} \leq V_{IN} \leq 25\text{V}, I_o=500\text{mA}$
$V_N$		-	52	-	$\mu\text{A}$	$10\text{Hz} \leq f \leq 100\text{Hz}, T_j=25^\circ\text{C}$
RR		55	-	-	dB	$11.5\text{V} \leq V_{IN} \leq 21.5\text{V}, f=120\text{Hz}, T_j=25^\circ\text{C}$
$V_D$		-	2	-	V	$I_o=1\text{A}, T_j=25^\circ\text{C}$
$I_{SC}$		-	450	-	mA	$V_{IN}=14\text{V}, T_j=25^\circ\text{C}$
$I_{PK}$		-	2.2	-	mA	$T_j=25^\circ\text{C}$
$\Delta V_o/\Delta T_j$		-	-0.8	-	mV/ $^\circ\text{C}$	$I_o=5\text{mA}, 0^\circ\text{C} \leq T_j \leq 25^\circ\text{C}$

**SG7809A** (Refer to the test circuits,  $T_j=0\sim 125^\circ\text{C}$ ,  $I_o=500\text{mA}$ ,  $V_{IN}=15\text{V}$ ,  $C_{IN}=0.33\mu\text{F}$ ,  $C_O=0.1\mu\text{F}$  unless otherwise specified)

Symbol		Min.	Typ.	Max.	Unit	Test Condition
$V_o$	A-Rank (3%)	8.73	9	9.27	V	$V_{IN}=15\text{V}, I_o=500\text{mA}, T_j=25^\circ\text{C}$ $11.5\text{V} \leq V_{IN} \leq 24\text{V}, 5\text{mA} \leq I_o \leq 1\text{A}, PD \leq 15\text{W}$
	B-Rank (5%)	8.55	-	9.45		
$\Delta V_o$ (Line Regulation)		-	7	180	mV	$11.5\text{V} \leq V_{IN} \leq 25\text{V}, I_o=500\text{mA}, T_j=25^\circ\text{C}$ $13\text{V} \leq V_{IN} \leq 19\text{V}, I_o=500\text{mA}, T_j=25^\circ\text{C}$
		-	2	90		
$\Delta V_o$ (Load Regulation)		-	12	180	mV	$V_{IN}=15\text{V}, 5\text{mA} \leq I_o \leq 1.5\text{A}, T_j=25^\circ\text{C}$ $V_{IN}=15\text{V}, 250\text{mA} \leq I_o \leq 750\text{mA}, T_j=25^\circ\text{C}$
		-	4	90		
$I_o$		-	4.3	8	mA	$V_{IN}=15\text{V}, I_o=500\text{mA}, T_j=25^\circ\text{C}$
$\Delta I_o$		-	-	0.5	mA	$V_{IN}=15\text{V}, 5\text{mA} \leq I_o \leq 1\text{A}$ $11.5\text{V} \leq V_{IN} \leq 26\text{V}, I_o=500\text{mA}$
		-	-	1		
$V_N$		-	60	-	$\mu\text{A}$	$10\text{Hz} \leq f \leq 100\text{Hz}, T_j=25^\circ\text{C}$
RR		55	-	-	dB	$12.5\text{V} \leq V_{IN} \leq 22.5\text{V}, f=120\text{Hz}, T_j=25^\circ\text{C}$
$V_D$		-	2	-	V	$I_o=1\text{A}, T_j=25^\circ\text{C}$
$I_{sc}$		-	400	-	mA	$V_{IN}=16\text{V}, T_j=25^\circ\text{C}$
$I_{PK}$		-	2.2	-	mA	$T_j=25^\circ\text{C}$
$\Delta V_o/\Delta T_j$		-	-1	-	$\text{mV}/^\circ\text{C}$	$I_o=5\text{mA}, 0^\circ\text{C} \leq T_j \leq 25^\circ\text{C}$

**SG7810A** (Refer to the test circuits,  $T_j=0\sim 125^\circ\text{C}$ ,  $I_o=500\text{mA}$ ,  $V_{IN}=17\text{V}$ ,  $C_{IN}=0.33\mu\text{F}$ ,  $C_O=0.1\mu\text{F}$  unless otherwise specified)

Symbol		Min.	Typ.	Max.	Unit	Test Condition
$V_o$	A-Rank (3%)	9.7	10	10.3	V	$V_{IN}=16\text{V}, I_o=500\text{mA}, T_j=25^\circ\text{C}$ $12.5\text{V} \leq V_{IN} \leq 25\text{V}, 5\text{mA} \leq I_o \leq 1\text{A}, PD \leq 15\text{W}$
	B-Rank (5%)	9.5	-	10.5		
$\Delta V_o$ (Line Regulation)		-	7	200	mV	$13\text{V} \leq V_{IN} \leq 25\text{V}, I_o=500\text{mA}, T_j=25^\circ\text{C}$ $14\text{V} \leq V_{IN} \leq 20\text{V}, I_o=500\text{mA}, T_j=25^\circ\text{C}$
		-	2	100		
$\Delta V_o$ (Load Regulation)		-	12	200	mV	$V_{IN}=16\text{V}, 5\text{mA} \leq I_o \leq 1.5\text{A}, T_j=25^\circ\text{C}$ $V_{IN}=16\text{V}, 250\text{mA} \leq I_o \leq 750\text{mA}, T_j=25^\circ\text{C}$
		-	4	100		
$I_o$		-	4.3	8	mA	$V_{IN}=16\text{V}, I_o=500\text{mA}, T_j=25^\circ\text{C}$
$\Delta I_o$		-	-	0.5	mA	$V_{IN}=16\text{V}, 5\text{mA} \leq I_o \leq 1\text{A}$ $12.5\text{V} \leq V_{IN} \leq 25\text{V}, I_o=500\text{mA}$
		-	-	1		
$V_N$		-	70	-	$\mu\text{A}$	$10\text{Hz} \leq f \leq 100\text{Hz}, T_j=25^\circ\text{C}$
RR		55	-	-	dB	$13\text{V} \leq V_{IN} \leq 23\text{V}, f=120\text{Hz}, T_j=25^\circ\text{C}$
$V_D$		-	2	-	V	$I_o=1\text{A}, T_j=25^\circ\text{C}$
$I_{sc}$		-	400	-	mA	$V_{IN}=17\text{V}, T_j=25^\circ\text{C}$
$I_{PK}$		-	2.2	-	mA	$T_j=25^\circ\text{C}$
$\Delta V_o/\Delta T_j$		-	-1	-	$\text{mV}/^\circ\text{C}$	$I_o=5\text{mA}, 0^\circ\text{C} \leq T_j \leq 25^\circ\text{C}$

**SG7812A** (Refer to the test circuits,  $T_j=0\sim 125^\circ\text{C}$ ,  $I_o=500\text{mA}$ ,  $V_{IN}=19\text{V}$ ,  $C_{IN}=0.33\mu\text{F}$ ,  $C_o=0.1\mu\text{F}$  unless otherwise specified)

Symbol		Min.	Typ.	Max.	Unit	Test Condition
$V_o$	A-Rank (3%)	11.64	12	12.36	V	$V_{IN}=19\text{V}, I_o=500\text{mA}, T_j=25^\circ\text{C}$ $14.5\text{V} \leq V_{IN} \leq 27\text{V}, 5\text{mA} \leq I_o \leq 1\text{A}, PD \leq 15\text{W}$
	B-Rank (5%)	11.4	-	12.6		
$\Delta V_o$ (Line Regulation)		-	10	240	mV	$14.5\text{V} \leq V_{IN} \leq 30\text{V}, I_o=500\text{mA}, T_j=25^\circ\text{C}$
		-	3	120		$16\text{V} \leq V_{IN} \leq 22\text{V}, I_o=500\text{mA}, T_j=25^\circ\text{C}$
$\Delta V_o$ (Load Regulation)		-	12	240	mV	$V_{IN}=19\text{V}, 5\text{mA} \leq I_o \leq 1.5\text{A}, T_j=25^\circ\text{C}$
		-	4	120		$V_{IN}=19\text{V}, 250\text{mA} \leq I_o \leq 750\text{mA}, T_j=25^\circ\text{C}$
$I_o$		-	4.3	8	mA	$V_{IN}=19\text{V}, I_o=500\text{mA}, T_j=25^\circ\text{C}$
$\Delta I_o$		-	-	0.5	mA	$V_{IN}=19\text{V}, 5\text{mA} \leq I_o \leq 1\text{A}$
		-	-	1		$14.5\text{V} \leq V_{IN} \leq 30\text{V}, I_o=500\text{mA}$
$V_N$		-	75	-	$\mu\text{A}$	$10\text{Hz} \leq f \leq 100\text{Hz}, T_j=25^\circ\text{C}$
RR		55	-	-	dB	$15\text{V} \leq V_{IN} \leq 25\text{V}, f=120\text{Hz}, T_j=25^\circ\text{C}$
$V_D$		-	2	-	V	$I_o=1\text{A}, T_j=25^\circ\text{C}$
$I_{SC}$		-	350	-	mA	$V_{IN}=19\text{V}, T_j=25^\circ\text{C}$
$I_{PK}$		-	2.2	-	mA	$T_j=25^\circ\text{C}$
$\Delta V_o/\Delta T_j$		-	-1	-	mV/ $^\circ\text{C}$	$I_o=5\text{mA}, 0^\circ\text{C} \leq T_j \leq 25^\circ\text{C}$

**SG7815A** (Refer to the test circuits,  $T_j=0\sim 125^\circ\text{C}$ ,  $I_o=500\text{mA}$ ,  $V_{IN}=23\text{V}$ ,  $C_{IN}=0.33\mu\text{F}$ ,  $C_o=0.1\mu\text{F}$  unless otherwise specified)

Symbol		Min.	Typ.	Max.	Unit	Test Condition
$V_o$	A-Rank (3%)	14.55	15	15.45	V	$V_{IN}=23\text{V}, I_o=500\text{mA}, T_j=25^\circ\text{C}$ $17.5\text{V} \leq V_{IN} \leq 30\text{V}, 5\text{mA} \leq I_o \leq 1\text{A}, PD \leq 15\text{W}$
	B-Rank (5%)	14.25	-	15.75		
$\Delta V_o$ (Line Regulation)		-	12	300	mV	$17.5\text{V} \leq V_{IN} \leq 30\text{V}, I_o=500\text{mA}, T_j=25^\circ\text{C}$
		-	3	150		$17.5\text{V} \leq V_{IN} \leq 30\text{V}, I_o=500\text{mA}, T_j=25^\circ\text{C}$
$\Delta V_o$ (Load Regulation)		-	12	300	mV	$V_{IN}=23\text{V}, 5\text{mA} \leq I_o \leq 1.5\text{A}, T_j=25^\circ\text{C}$
		-	4	150		$V_{IN}=23\text{V}, 250\text{mA} \leq I_o \leq 750\text{mA}, T_j=25^\circ\text{C}$
$I_o$		-	4.3	8	mA	$V_{IN}=23\text{V}, I_o=500\text{mA}, T_j=25^\circ\text{C}$
$\Delta I_o$		-	-	0.5	mA	$V_{IN}=23\text{V}, 5\text{mA} \leq I_o \leq 1\text{A}$
		-	-	1		$17.5\text{V} \leq V_{IN} \leq 30\text{V}, I_o=500\text{mA}$
$V_N$		-	90	-	$\mu\text{A}$	$10\text{Hz} \leq f \leq 100\text{Hz}, T_j=25^\circ\text{C}$
RR		54	-	-	dB	$18.5\text{V} \leq V_{IN} \leq 28.5\text{V}, f=120\text{Hz}, T_j=25^\circ\text{C}$
$V_D$		-	2	-	V	$I_o=1\text{A}, T_j=25^\circ\text{C}$
$I_{SC}$		-	230	-	mA	$V_{IN}=19\text{V}, T_j=25^\circ\text{C}$
$I_{PK}$		-	2.1	-	mA	$T_j=25^\circ\text{C}$
$\Delta V_o/\Delta T_j$		-	-1	-	mV/ $^\circ\text{C}$	$I_o=5\text{mA}, 0^\circ\text{C} \leq T_j \leq 25^\circ\text{C}$

**SG7818A** (Refer to the test circuits,  $T_j=0\sim 125^\circ\text{C}$ ,  $I_o=500\text{mA}$ ,  $V_{IN}=27\text{V}$ ,  $C_{IN}=0.33\mu\text{F}$ ,  $C_o=0.1\mu\text{F}$  unless otherwise specified)

Symbol		Min.	Typ.	Max.	Unit	Test Condition
$V_o$	A-Rank (3%)	17.46	18	18.54	V	$V_{IN}=27\text{V}, I_o=500\text{mA}, T_j=25^\circ\text{C}$ $21\text{V} \leq V_{IN} \leq 33\text{V}, 5\text{mA} \leq I_o \leq 1\text{A}, PD \leq 15\text{W}$
	B-Rank (5%)	17.1	-	18.9		
$\Delta V_o$ (Line Regulation)		-	15	360	mV	$21\text{V} \leq V_{IN} \leq 33\text{V}, I_o=500\text{mA}, T_j=25^\circ\text{C}$
		-	5	180		$24\text{V} \leq V_{IN} \leq 30\text{V}, I_o=500\text{mA}, T_j=25^\circ\text{C}$
$\Delta V_o$ (Load Regulation)		-	12	360	mV	$V_{IN}=27\text{V}, 5\text{mA} \leq I_o \leq 1.5\text{A}, T_j=25^\circ\text{C}$
		-	4	180		$V_{IN}=27\text{V}, 250\text{mA} \leq I_o \leq 750\text{mA}, T_j=25^\circ\text{C}$
$I_o$		-	4.5	8	mA	$V_{IN}=27\text{V}, I_o=500\text{mA}, T_j=25^\circ\text{C}$
$\Delta I_o$		-	-	0.5	mA	$V_{IN}=27\text{V}, 5\text{mA} \leq I_o \leq 1\text{A}$
		-	-	1		$21\text{V} \leq V_{IN} \leq 33\text{V}, I_o=500\text{mA}$
$V_N$		-	110	-	$\mu\text{A}$	$10\text{Hz} \leq f \leq 100\text{Hz}, T_j=25^\circ\text{C}$
RR		53	-	-	dB	$22\text{V} \leq V_{IN} \leq 32\text{V}, f=120\text{Hz}, T_j=25^\circ\text{C}$
$V_D$		-	2	-	V	$I_o=1\text{A}, T_j=25^\circ\text{C}$
$I_{sc}$		-	200	-	mA	$V_{IN}=27\text{V}, T_j=25^\circ\text{C}$
$I_{PK}$		-	2.1	-	mA	$T_j=25^\circ\text{C}$
$\Delta V_o/\Delta T_j$		-	-1	-	mV/ $^\circ\text{C}$	$I_o=5\text{mA}, 0^\circ\text{C} \leq T_j \leq 25^\circ\text{C}$

**SG7824A** (Refer to the test circuits,  $T_j=0\sim 125^\circ\text{C}$ ,  $I_o=500\text{mA}$ ,  $V_{IN}=33\text{V}$ ,  $C_{IN}=0.33\mu\text{F}$ ,  $C_o=0.1\mu\text{F}$  unless otherwise specified)

Symbol		Min.	Typ.	Max.	Unit	Test Condition
$V_o$	A-Rank (3%)	23.28	24	24.72	V	$V_{IN}=33\text{V}, I_o=500\text{mA}, T_j=25^\circ\text{C}$ $27\text{V} \leq V_{IN} \leq 38\text{V}, 5\text{mA} \leq I_o \leq 1\text{A}, PD \leq 15\text{W}$
	B-Rank (5%)	22.8	-	25.2		
$\Delta V_o$ (Line Regulation)		-	18	480	mV	$27\text{V} \leq V_{IN} \leq 38\text{V}, I_o=500\text{mA}, T_j=25^\circ\text{C}$
		-	6	240		$30\text{V} \leq V_{IN} \leq 36\text{V}, I_o=500\text{mA}, T_j=25^\circ\text{C}$
$\Delta V_o$ (Load Regulation)		-	12	480	mV	$V_{IN}=33\text{V}, 5\text{mA} \leq I_o \leq 1.5\text{A}, T_j=25^\circ\text{C}$
		-	4	240		$V_{IN}=33\text{V}, 250\text{mA} \leq I_o \leq 750\text{mA}, T_j=25^\circ\text{C}$
$I_o$		-	4.6	8	mA	$V_{IN}=33\text{V}, I_o=500\text{mA}, T_j=25^\circ\text{C}$
$\Delta I_o$		-	-	0.5	mA	$V_{IN}=33\text{V}, 5\text{mA} \leq I_o \leq 1\text{A}$
		-	-	1		$28\text{V} \leq V_{IN} \leq 38\text{V}, I_o=500\text{mA}$
$V_N$		-	170	-	$\mu\text{A}$	$10\text{Hz} \leq f \leq 100\text{Hz}, T_j=25^\circ\text{C}$
RR		50	-	-	dB	$28\text{V} \leq V_{IN} \leq 38\text{V}, f=120\text{Hz}, T_j=25^\circ\text{C}$
$V_D$		-	2	-	V	$I_o=1\text{A}, T_j=25^\circ\text{C}$
$I_{sc}$		-	150	-	mA	$V_{IN}=33\text{V}, T_j=25^\circ\text{C}$
$I_{PK}$		-	2.1	-	mA	$T_j=25^\circ\text{C}$
$\Delta V_o/\Delta T_j$		-	-1.5	-	mV/ $^\circ\text{C}$	$I_o=5\text{mA}, 0^\circ\text{C} \leq T_j \leq 25^\circ\text{C}$

**Typical Application**

