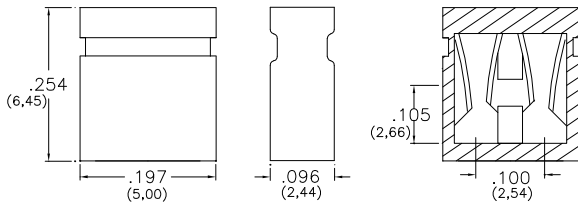
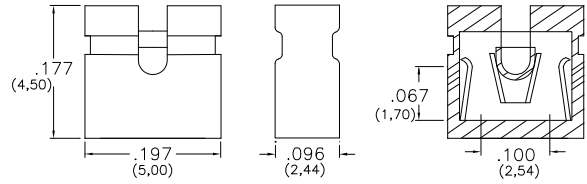


# Major League Electronics .100 cl Shunts

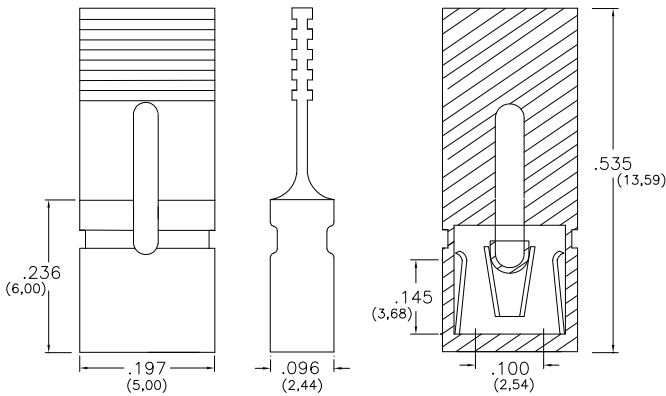
03 SERIES  
High Profile  
High Insertion



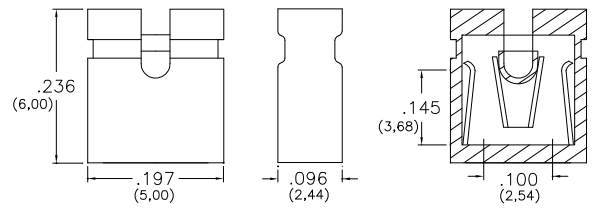
01 SERIES  
Low Profile  
Low Insertion



04 SERIES  
High Profile  
High Insertion  
Handle Option



02 SERIES  
High Profile  
Low Insertion



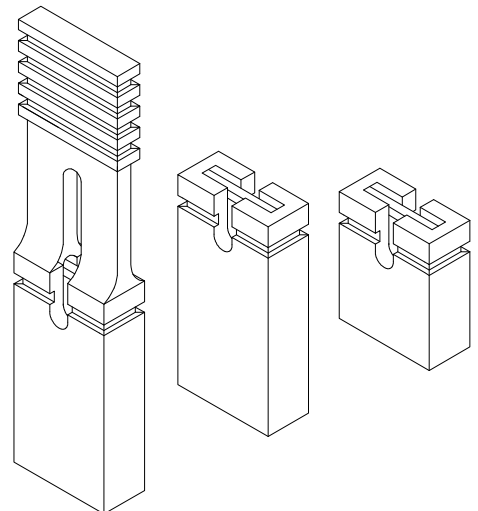
## Ordering Information

SH-1 X - XX - LF

Lead Free

Shunt Style		
01	01 Series	Low Profile, Low Insertion
02	02 Series	High Profile, Low Insertion
03	03 Series	High Profile, High Insertion
04	04 Series	High Profile, High Insertion, Handle Option

Plating Options	
G	- 10µ Gold on Contact area/Flash on Tail
F	- Gold Flash over Entire Pin
T	- Matte Tin all Over



## Specifications

Current Rating: 3.0 Ampere  
 Insulation Resistance: 1000MΩ Min.  
 Dielectric Withstanding: 600V AC  
 Contact Resistance: 20 mΩ Max.  
 Operating Temperature: -40°C to + 105°C  
 Max. Process Temperature:  
 Peak: 260°C up to 10 secs.  
 Process: 230°C up to 60 secs.  
 Wave: 260°C up to 6 secs.  
 Manual Solder: 350°C up to 5 secs.

## Materials

Contact Material: Phosphor Bronze  
 Insulator Material: Nylon 6T

Mates will all .025" square Pin .100 centerline header products

Products cut to specific sizes are uncancellable/nonreturnable

Parts are subject to change without notice

SH-1 SERIES

.100 cl Shunts

17 JAN 07

Scale  
NTS

UNLESS OTHERWISE SPECIFIED  
DIMENSIONS IN INCHES (MM)  
TOLERANCES ARE:

ONE PLACE DECIMALS ±.100  
TWO PLACE DECIMALS ±.010  
THREE PLACE DECIMALS ±.005  
FOUR PLACE DECIMALS ±.0020

ANGLES  
±5°



4235 Earnings Way, New Albany, Indiana, 47150, USA  
 1-800-782-3486 (USA/Canada/Mexico)  
 Tel: 812-944-7244  
 Fax: 812-944-7268  
 E-mail: mle@mlelectronics.com  
 Web: www.mlelectronics.com

Revision  
D

Sheet  
1/2

# Revisions

Revision B - (14th Feb 2008)

Plating options added to ordering grid

Revision C - (20th Mar 2008)

Amendment to selection for 'Shunt Style' options in ordering grid,  
now labelled as: 01, 02, 03, 04

*previous version: 01, 02, 02-H, 03*

Revision D - (13th Nov 2009)

Amendment to the height for the 03 style shunt/  
now labelled as: .254" (6.45mm)

*previous version: .220" (5.59mm)*

SH-1 SERIES

.100 cl Shunts

17 JAN 07

Scale  
NTS

UNLESS OTHERWISE SPECIFIED  
DIMENSIONS IN INCHES (MM)  
TOLERANCES ARE:

ONE PLACE DECIMALS ±.100  
TWO PLACE DECIMALS ±.010  
THREE PLACE DECIMALS ±.005  
FOUR PLACE DECIMALS ±.0020

ANGLES  
±3°



4235 Earnings Way, New Albany, Indiana, 47150, USA  
1-800-782-3486 (USA/Canada/Mexico)

Tel: 812-944-7244

Fax: 812-944-7268

E-mail: [mle@mlelectronics.com](mailto:mle@mlelectronics.com)

Web: [www.mlelectronics.com](http://www.mlelectronics.com)

Revision  
D

Sheet  
2/2