

## Preliminary

### Overview

This camera module allows the creation of a miniature color video camera by simply providing a case and connecting power supply and video output. Cameras based on this module using digital signal processing are optimal for a wide range of new application areas, from all types of image input devices for multimedia applications to computer controlled video conferencing systems and monitor cameras.

### Features

- The use of digital signal processing allows this product to be used in a wide range of application areas.
- Ultra-miniature 1/5 inch 250,000 pixel color image sensor camera module
- 12 V DC single voltage power supply
- Composite video output
- Electronic auto-iris
- Mirror function
- Includes a special-purpose 1/5 inch image sensor lens.

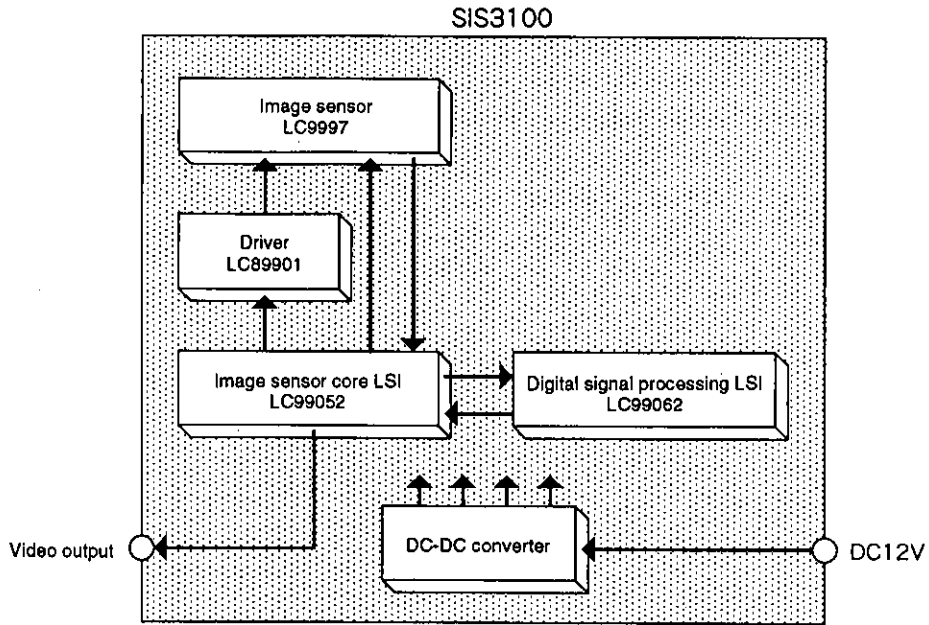
### Specifications

External dimensions	When the head and main unit are used as a single unit	61.0 mm × 110.0 mm (typ.)	
	When the head and main unit are separated	Head	45.0 mm × 35.0 mm (typ.)
		Main unit	45.0 mm × 60.0 mm (typ.)
Power supply	DC 12 V ± 3 V		
Current consumption	170 mA (typ.)		
Image sensor	LC9997 (1/5 inch 250,000 pixel color image sensor)		
Effective pixel count	508H × 492V		
Synchronization scheme	Internal synchronization		
Video output	1 V <sub>p-p</sub> (typ.)/75 Ω		
γ correction	0.45 (typ.)		
Horizontal resolution	220 TV lines (typ.)		
Iris	Electronic auto-iris		
Lens	F1.9, angle of view: 37° vertical, 48° horizontal		
Operating temperature	0 to +40°C		
Storage temperature	-20 to +60°C		
Smear	0.04% (typ.)		

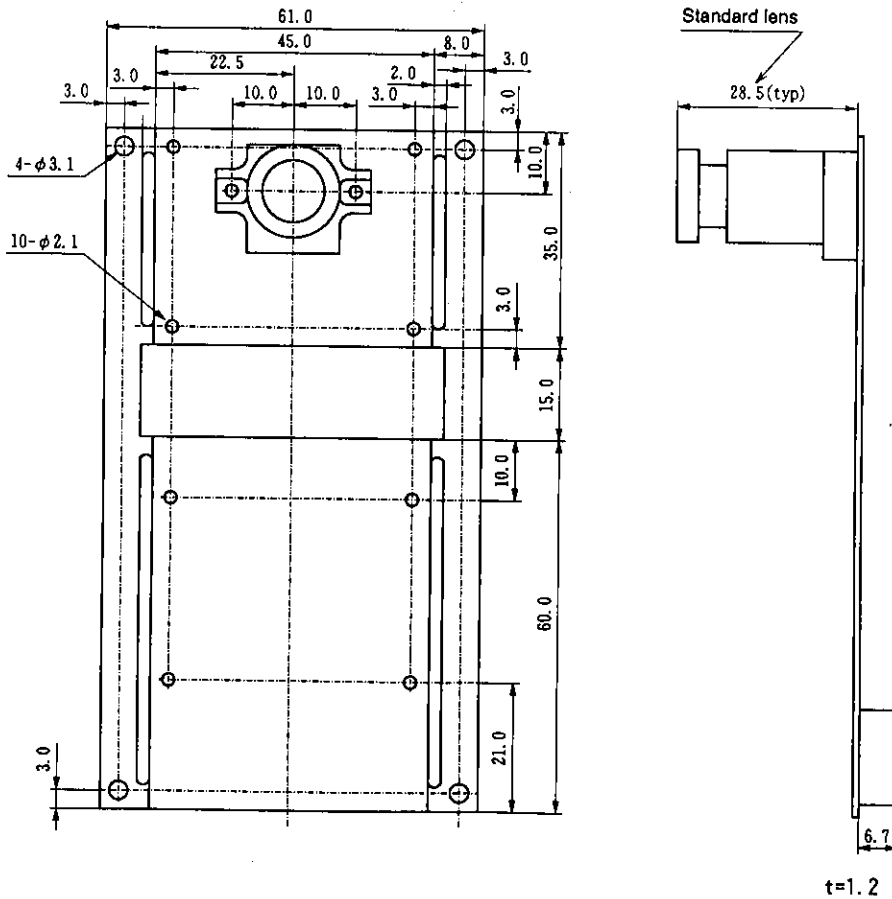
Note: An extraneous radiation test is not performed.

# SIS3100

## Block Diagram



## External Dimensions

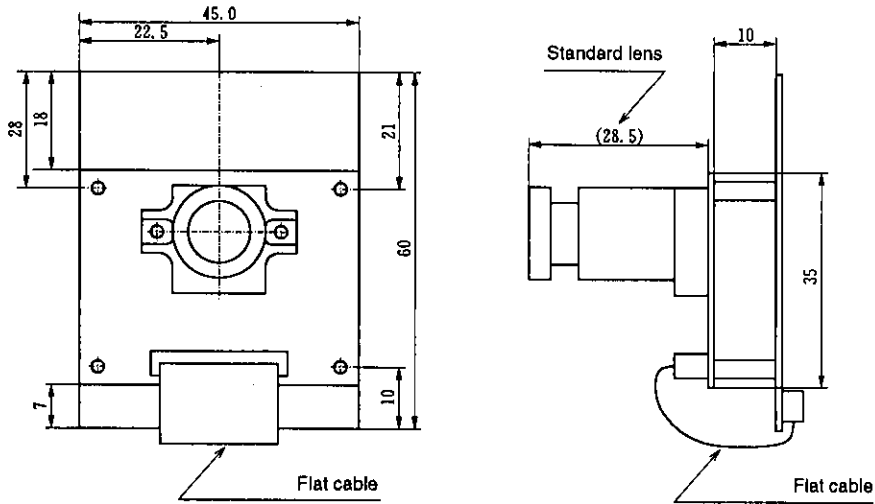


[Unit: mm]

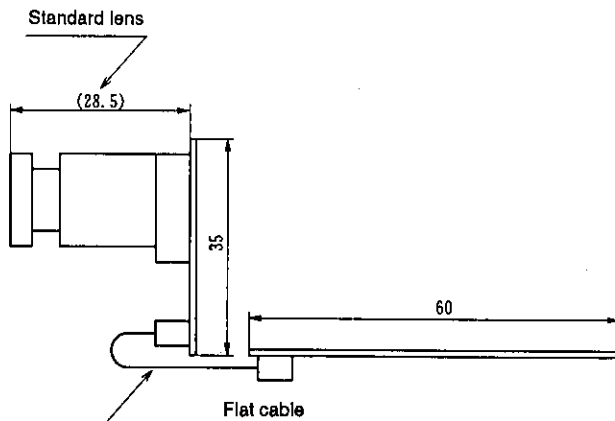
### Assembly Variations

The SIS3100 supports the following assembly variations, since the head and the main unit can be separated.

1. Head and main unit overlapped



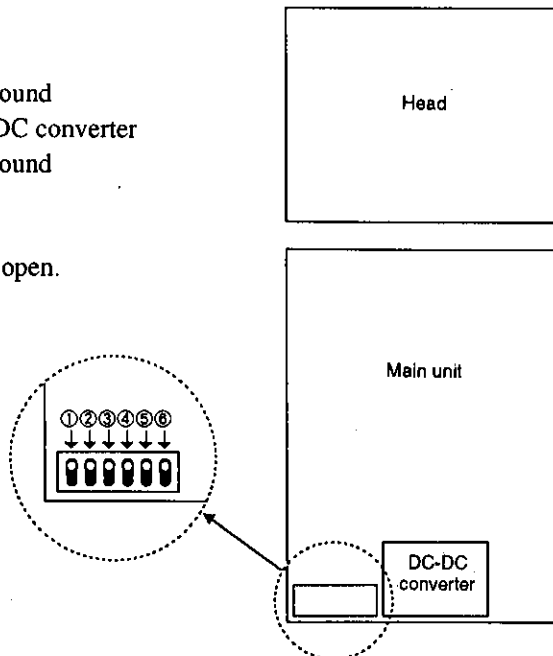
2. Head and main unit mounted perpendicularly



### External Connections

- ① DC: +12 V input
- ② GND: Power supply system ground
- ③ CONT: Control pin on the DC-DC converter
- ④ GND: Power supply system ground
- ⑤ VIDEO: Video output
- ⑥ GND: Video system ground

Note: Pins 3 and 4 are normally left open.



**Image Sensor Module Usage Notes**

1. Contamination or soiling of the optical system parts can result in image quality degradation. Do not allow dirt, dust, organic solvents, oils, or other foreign matter to get on the lens.
2. When handling a printed circuit board, handle the board only by the corners and avoid touching the components mounted on the board if at all possible.
3. Since applying bending stresses to printed circuit boards can result in solder cracks and other problems, avoid applying such stresses to the board. In particular, avoid applying bending stresses to the printed circuit board when separating the board at the V-notch section.
4. Do not apply excessive mechanical stresses to the lens or other parts of the module.
5. Since this module uses components that are sensitive to static electric discharges, personnel and equipment must be grounded. As a safety precaution, insert a resistor of about 1 M $\Omega$  between ground and the personnel grounding bracelet used.
6. Before turning on the power, reconfirm that all connections between the module and external equipment and power supplies are correct and secure.

- No products described or contained herein are intended for use in surgical implants, life-support systems, aerospace equipment, nuclear power control systems, vehicles, disaster/crime-prevention equipment and the like, the failure of which may directly or indirectly cause injury, death or property loss.
- Anyone purchasing any products described or contained herein for an above-mentioned use shall:
  - ① Accept full responsibility and indemnify and defend SANYO ELECTRIC CO., LTD., its affiliates, subsidiaries and distributors and all their officers and employees, jointly and severally, against any and all claims and litigation and all damages, cost and expenses associated with such use:
  - ② Not impose any responsibility for any fault or negligence which may be cited in any such claim or litigation on SANYO ELECTRIC CO., LTD., its affiliates, subsidiaries and distributors or any of their officers and employees jointly or severally.
- Information (including circuit diagrams and circuit parameters) herein is for example only; it is not guaranteed for volume production. SANYO believes information herein is accurate and reliable, but no guarantees are made or implied regarding its use or any infringements of intellectual property rights or other rights of third parties.