

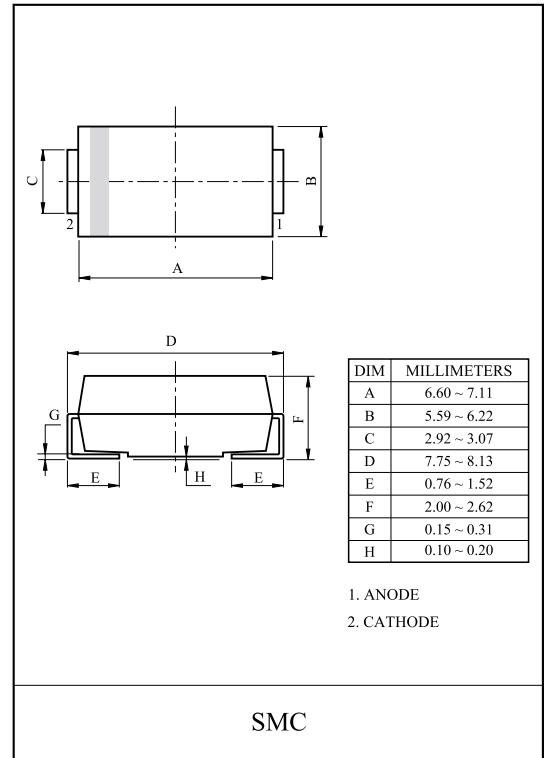
SWITCHING TYPE POWER SUPPLY APPLICATIONS.

FEATURES

- Low Profile Surface Mount Package.
- Low Power Loss, High Efficiency.
- For Use in Low Voltage, High Frequency inverters, Free Wheeling, and Polarity Protection Applications.

APPLICATION

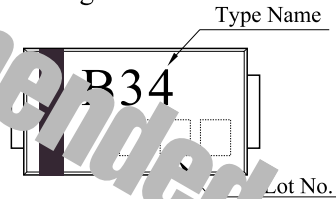
- Switching Power Supply.
- DC/DC Converter.
- Home Appliances, Office Equipment.
- Telecommunication.
- Qualified to AEC-Q101.



MAXIMUM RATING (Ta=25 °C)

CHARACTERISTIC	SYMBOL	RATING	UNIT
Maximum Repetitive Peak Reverse Voltage	V _{RRM}	40	V
Average Output Rectified Current	I _O	3	A
Peak One Cycle Surge Forward Current (Non-Repetitive 60Hz)	I _s	100	A
Junction Temperature	T _j	100 ~ 150	°C
Storage Temperature Range	T _{stg}	-40 ~ 150	°C

Marking

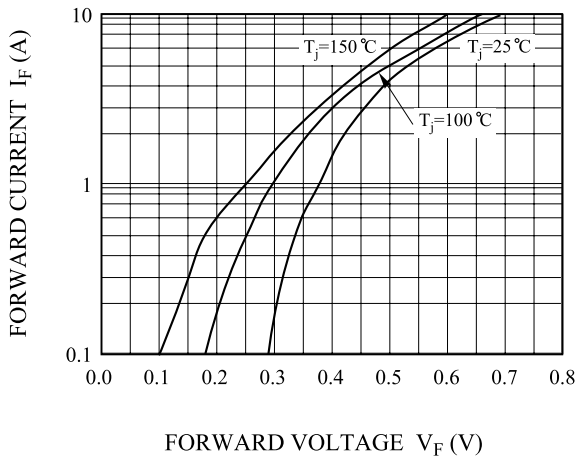


ELECTRICAL CHARACTERISTICS (Ta=25 °C)

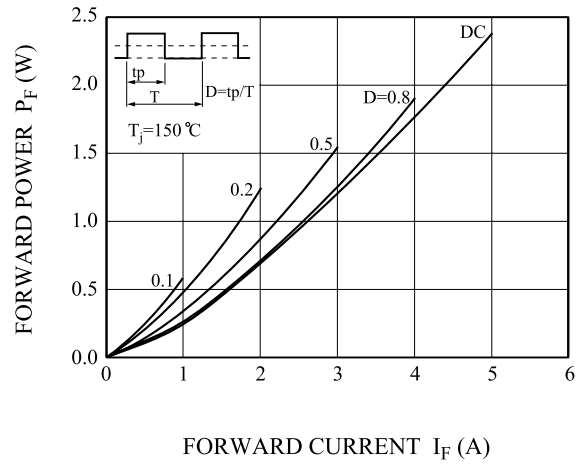
CHARACTERISTIC	SYMBOL	TEST CONDITION	MIN.	TYP.	MAX.	UNIT
Peak Forward Voltage	V _{FM}	I _{FM} =3A	-	-	0.5	V
Repetitive Peak Reverse Current	I _{RRM}	V _{RRM} =Rated, T _j =25	-	-	0.1	mA
		V _{RRM} =Rated, T _j =100	-	-	10	mA
Total Capacitance	C _T	V _R =4V, f=1MHz	-	-	250	pF
Thermal Resistance	R _{th(j-l)}	Junction to lead	-	-	10	/W
	R _{th(j-a)}	Junction to ambient	-	-	50	/W

SMCB34

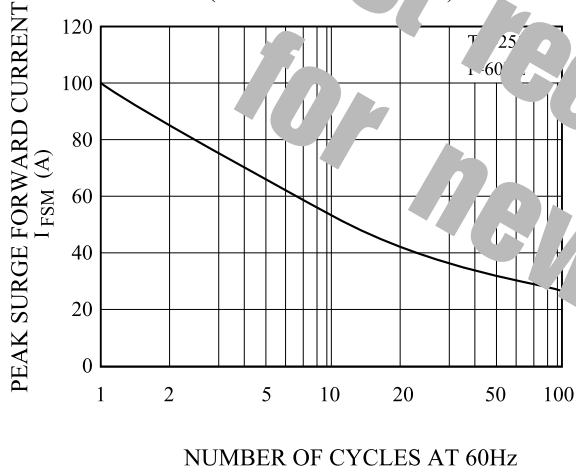
$I_F - V_F$



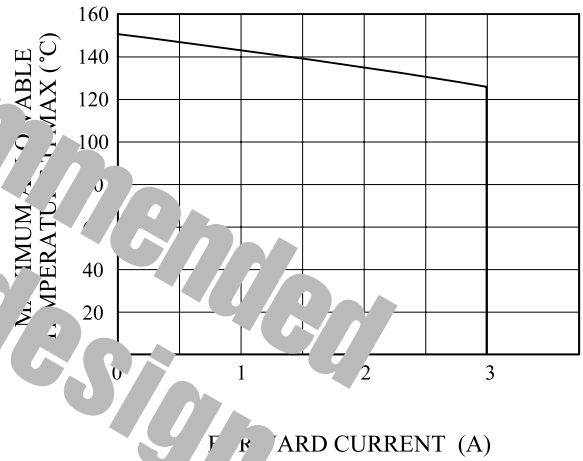
$P_F - I_F$



SURGE FORWARD CURRENT (NON-REPEATING)



$T_j - I_F$



$I_R - V_R$

