

2.00mm (0.079") PITCH CONNECTOR

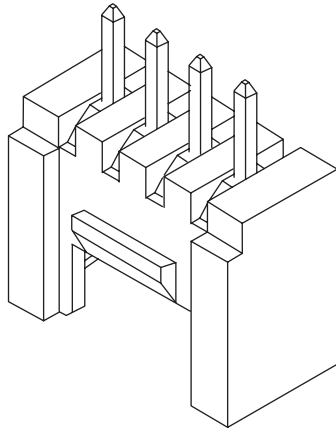


Wire-to-Board
Wafer

SMW200 Series

DIP

Straight

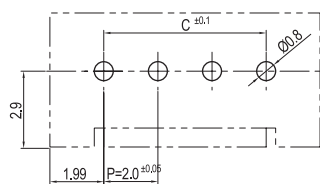
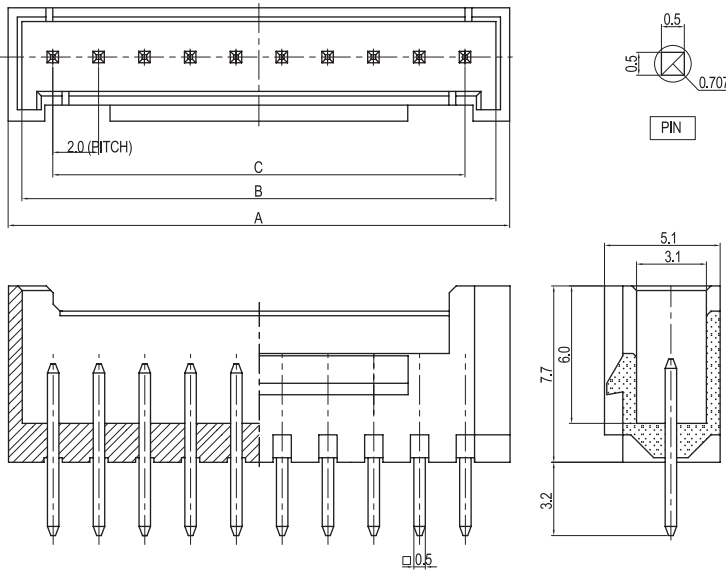


Material

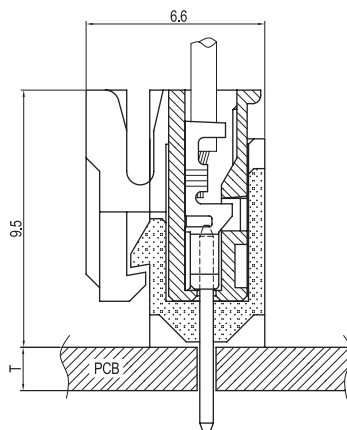
| I/NO | DESCRIPTION | TITLE | MATERIAL |
|------|-------------|--------|--------------------|
| 1 | WAFER | SMW200 | PA66, UL 94V Grade |
| 2 | PIN | | Brass & Tin Plated |

Available Pin

| PARTS NO. | A | B | C |
|------------|-------|-------|------|
| SMW200-02P | 5.98 | 4.75 | 2.0 |
| SMW200-03P | 7.98 | 6.75 | 4.0 |
| SMW200-04P | 9.98 | 8.75 | 6.0 |
| SMW200-05P | 11.98 | 10.75 | 8.0 |
| SMW200-06P | 13.98 | 12.75 | 10.0 |
| SMW200-07P | 15.98 | 14.75 | 12.0 |
| SMW200-08P | 17.98 | 16.75 | 14.0 |
| SMW200-09P | 19.98 | 18.75 | 16.0 |
| SMW200-10P | 21.98 | 20.75 | 18.0 |
| SMW200-11P | 23.98 | 22.75 | 20.0 |
| SMW200-12P | 25.98 | 24.75 | 22.0 |
| SMW200-13P | 27.98 | 26.75 | 24.0 |
| SMW200-14P | 29.98 | 28.75 | 26.0 |
| SMW200-15P | 31.98 | 30.75 | 28.0 |



PCB LAYOUT



PCB ASS'Y

Specification

| ITEM | SPEC |
|------------------------|--------------|
| Voltage Rating | AC/DC 250V |
| Current Rating | AC/DC 3A |
| Operating Temperature | -25°C~+85°C |
| Contact Resistance | 30mΩ MAX |
| Withstanding Voltage | AC1000V/1min |
| Insulation Resistance | 1000MΩ MIN |
| Applicable Wire | - |
| Applicable P.C.B | 1.2~1.6mm |
| Applicable FPC/FFC | - |
| Solder Height | - |
| Crimp Tensile Strength | - |
| UL FILE NO | E108706 |