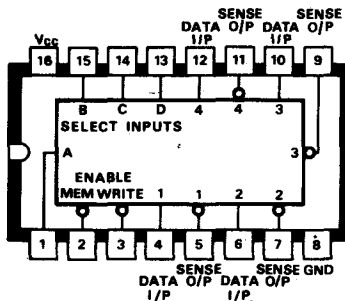


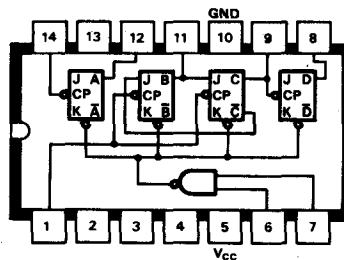
Semiconductors

Connection Diagrams

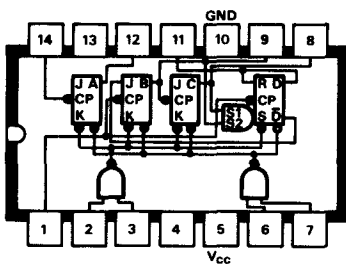
B67 **SN7489N**
SN74L89AN
64-bit RAM



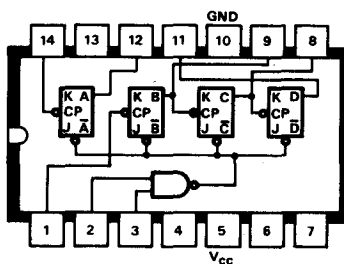
B70 **SN7492N**
Divide by 12 counter



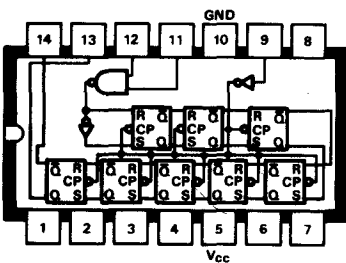
B68 **SN7490N**
SN74L90N
Decade counter



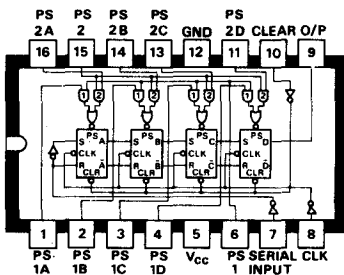
B71 **SN7493N**
4-bit binary counter



B69 **SN7491AN**
SN74L91N
8-bit shift register



B72 **SN7494N**
4-bit shift register



MANUFACTURER'S CURRENT LIST PRICES ARE ALWAYS CHARGED