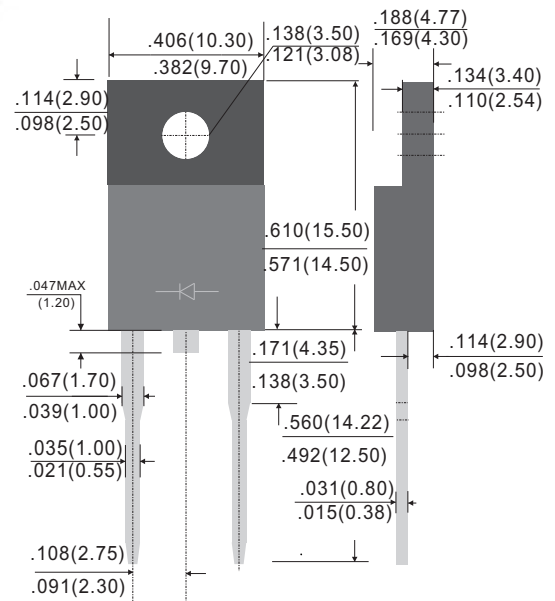


Mechanical Date

- Cases: ITO-220A
- Case Material: Molded Plastic. UL Flammability Classification Rating 94V-0
- Terminals: Lead free Plating (Tin Finish)
Solderable per MIL-STD-202, Method 208
- Polarity: Cathode Band
- Weight: 1.64 grams (approximate)



ITO-220A



Dimensions in inches and (millimeters)

Features

- Guardring for overvoltage protection
- Very small conduction losses
- Low forward voltage drop
- Component in accordance to RoHS 2002/95/EC
- **Pb-Free package is available**
RoHS product for packing code suffix "G"
Halogen free product for packing code suffix "H"

MAXIMUM RATINGS (TA=25°C unless otherwise noted)"							
PARAMETER"	SYMBOL	SP1040	SP1060	SP10100	SP10150	SP10200	UNIT
Maximum repetitive peak reverse voltage"	V _{RRM} "	40"	60"	100"	150"	200"	V"
Maximum RMS voltage"	V _{RMS} "	28"	42"	70"	105"	140"	V"
Maximum DC blocking voltage"	V _{DC} "	40"	60"	100"	150"	200"	V"
Maximum average forward rectified current	I _F "	10					A"
Peak forward surge current, 8.3ms single half sine-wave superimposed on rated load"	I _{FSM} "	150.0"					A"
Maximum Instantaneous Forward Voltage IF=10A @ 25°C	V _F "	0.55	0.70	0.85	0.92		V"
Maximum DC Reverse Current @ Tc=25°C at Rated DC Blocking Voltage @ Tc=100°C"	I _R "	0.5 30"		0.2 10"			mA"
Typical Junction Capacitance(NOTE1)"	C _j "	420"	360"	280"	200"	180	pF"
Typical Thermal Resistance"	R _{θJC} "	3"					°C/W
Operating Temperature Range"	T _J "	-55 to +125"			-55 to +150"		°C"
Storage Temperature Range"	T _{STG} "	-55 to +150"					°C"

NOTES:1.Measured at 1.0MHZ and applied reverse voltage of 4.0V DC

FIG. 1-TYPICAL FORWARD CURRENT DERATING CURVE

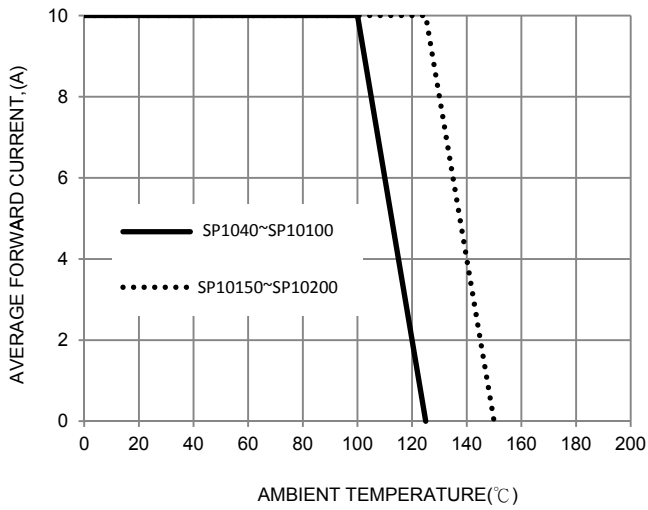


FIG. 2-TYPICAL FORWARD CHARACTERISTICS

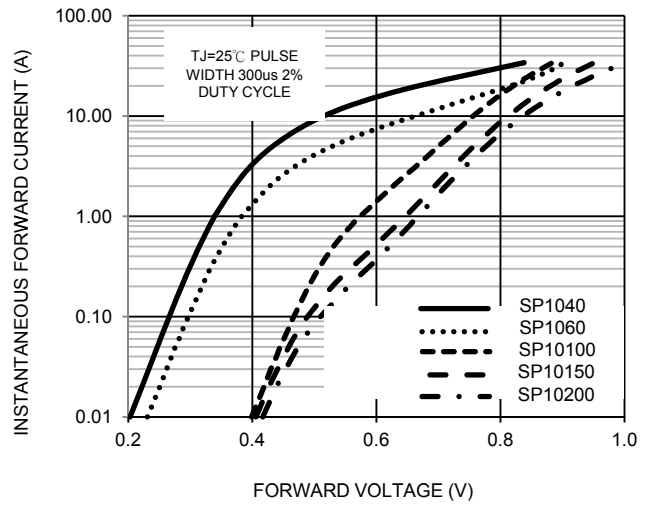


FIG. 3-MAXIMUM NON-REPETITIVE FORWARD SURGE CURRENT

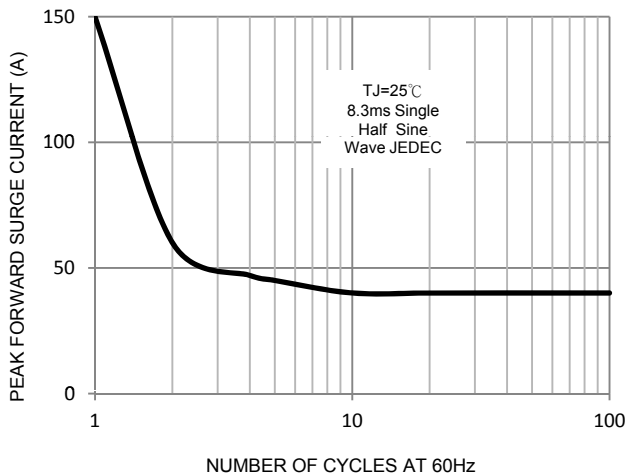


FIG. 4-TYPICAL REVERSE CHARACTERISTICS

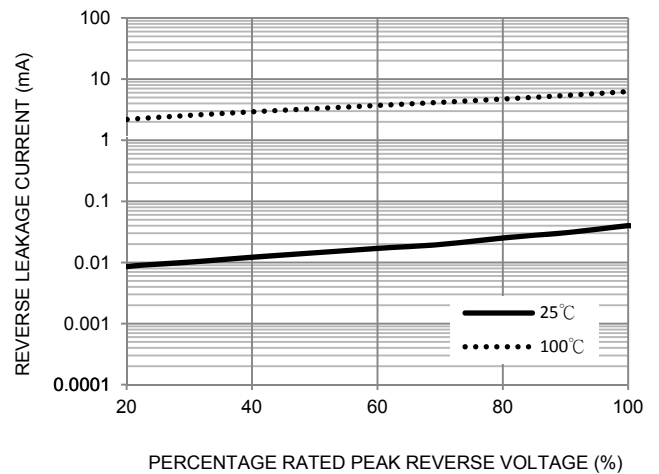


FIG. 5-TYPICAL JUNCTION CAPACITANCE

