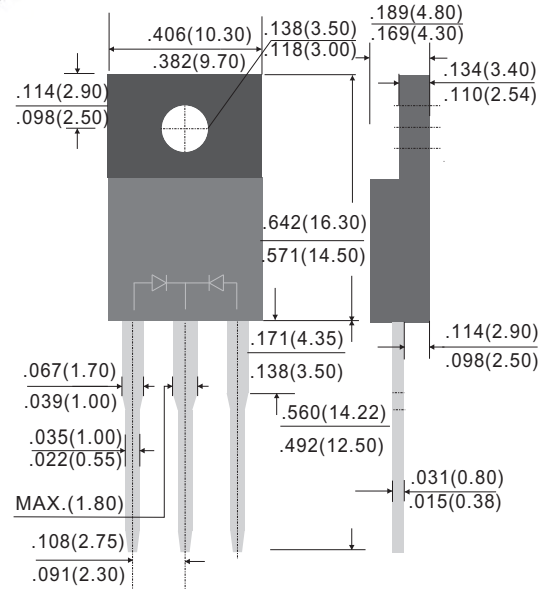


**10.0A SCHOTTKY BARRIER RECTIFIERS -40V- 200V**



**ITO-220**



**Mechanical Date**

- Case: ITO-220
- Case Material: Molded Plastic, UL Flammability Classification Rating 94V-0
- Terminals: Matte Tin Finish annealed over copper Lead frame. Solderable per MIL-STD-202
- Weight: 1.1 J grams (approximate)

**Features**

- Guard Ring for over voltage Protection
- High forward surge capability
- High frequency operation
- Component in accordance to RoHS 2002/95/EC
- **Pb-Free package is available**  
RoHS product for packing code suffix "G"  
Halogen free product for packing code suffix "H"

MAXIMUM RATINGS (TA=25°C unless otherwise noted)								
PARAMETER	SYMBOL	SP1040C	SP1060C	SP10100C	SP10150C	SP10200C	UNIT	
Maximum repetitive peak reverse voltage	$V_{RRM}$	40	60	100	150	200	V	
Maximum RMS voltage	$V_{RMS}$	28	42	70	105	140	V	
Maximum DC blocking voltage	$V_{DC}$	40	60	100	150	200	V	
Maximum average forward rectified current (Total) (Per Leg)	$I_F$	10 5						A
Peak forward surge current, 8.3ms single half sine-wave superimposed on rated load	$I_{FSM}$	100.0						A
Maximum Instantaneous Forward Voltage $I_F=5A @ 25^\circ C$	$V_F$	0.55	0.70	0.85	0.92		V	
Maximum DC Reverse Current @ $T_c=25^\circ C$ at Rated DC Blocking Voltage @ $T_c=125^\circ C$	$I_R$	0.5 20		0.2 5			mA	
Typical Junction Capacitance(NOTE1)	$C_j$	250	200	150			pF	
Typical Thermal Resistance	$R_{\theta JC}$	3					°C/W	
Operating Temperature Range	$T_J$	-55 to +125			-55 to +150		°C	
Storage Temperature Range	$T_{STG}$	-55 to +150					°C	

NOTES:1.Measured at 1.0MHZ and applied reverse voltage of 4.0V DC

**10.0A SCHOTTKY BARRIER RECTIFIERS -40V- 200V**

FIG. 1-TYPICAL FORWARD CURRENT DERATING CURVE

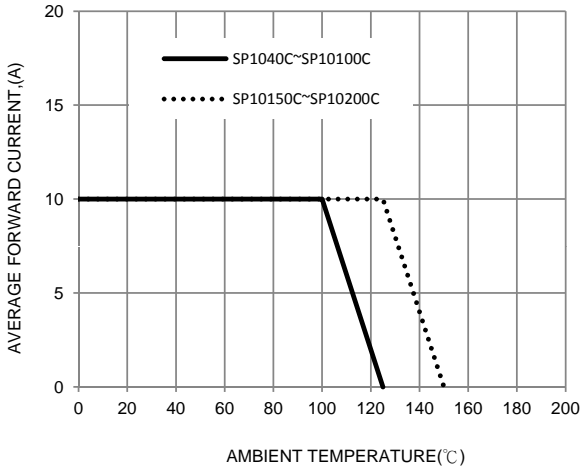


FIG. 2-TYPICAL FORWARD CHARACTERISTICS

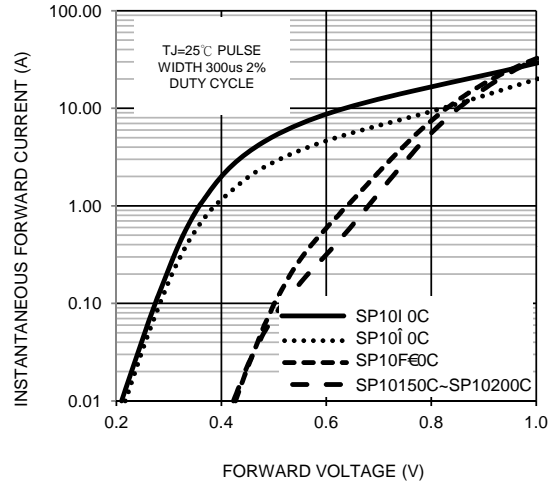


FIG. 3-MAXIMUM NON-REPETITIVE FORWARD SURGE CURRENT

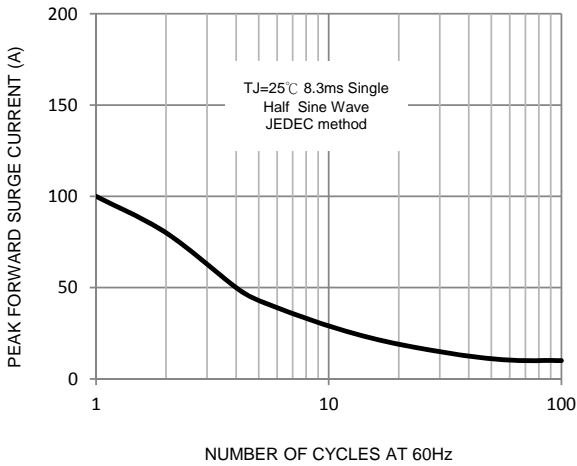


FIG. 4-TYPICAL REVERSE CHARACTERISTICS

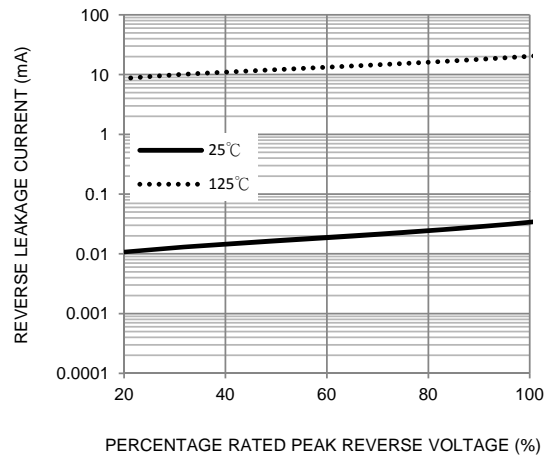


FIG. 5-TYPICAL JUNCTION CAPACITANCE

