

# SP20108 Series

## 6.6 Watts Switching Power Supply

### FEATURES

- Low Cost
- 90-264Vac Universal Input
- CISPR'B' & CNS'B' Compliance
- 100% Burn-In Test
- Over Voltage Protection Installation
- Short-Circuit Protection Installation
- Protection Type: Auto-Recovery

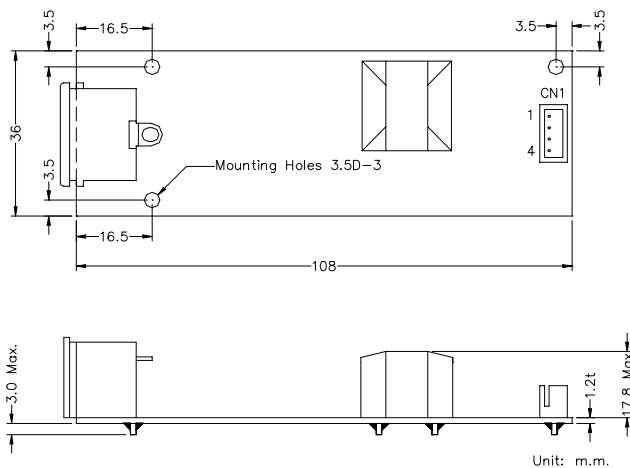


### SPECIFICATION

| Item                  | Model | SP20108      |
|-----------------------|-------|--------------|
| Input Voltage         |       | AC 90~264V   |
| Input Frequency       |       | 47~63Hz      |
| Efficiency            |       | 70% Typical  |
| Operating Temperature |       | 0~50°C       |
| Storage Temperature   |       | -20~85°C     |
| Weight                |       | 55g          |
| Safety Description    |       | UL, CUL, TUV |

(\*) : Under Development      (I/P): In Process

#### MECHANICAL



#### OUTPUTS

| Model No.    |       | SP20108 |
|--------------|-------|---------|
| Vo           |       | +3.3V   |
| Load         | Min   | 0A      |
|              | Rated | 2A      |
|              | Surge | ---     |
| Regulation   | Line  | 1%      |
|              | Load  | 3%      |
| Tolerance    |       | +/-4%   |
| Ripple Noise |       | 50mV    |

| Ref. No. | Connector Type             | Mating Connector Type   |
|----------|----------------------------|-------------------------|
| INLET    | IEC-320 Socket             | IEC-320 AC Power Cord   |
| CN1      | JST B4B-XH-A or Equivalent | JST XHP-4 or Equivalent |

| Pin Assignment |       |
|----------------|-------|
| CN1            |       |
| Pin 1          | +3.3V |
| Pin 2          | +3.3V |
| Pin 3          | GND   |
| Pin 4          | GND   |