

FEATURES

- 80 MSPS maximum sample rate
- 9.2 effective number of bits at $f_{IN} = 15$ MHz and $f_S = 80$ MSPS
- 2 V_{P-P} full-scale input range
- Differential input 2.5 V common mode
- Internal or external voltage reference
- Common-mode voltage reference output
- +3.3 V / +5 V digital output logic compatibility
- +5 V analog power supply

APPLICATIONS

- High-speed applications where low power dissipation is required
- Video imaging
- Medical imaging
- Radar receivers
- IR imaging
- Digital communications

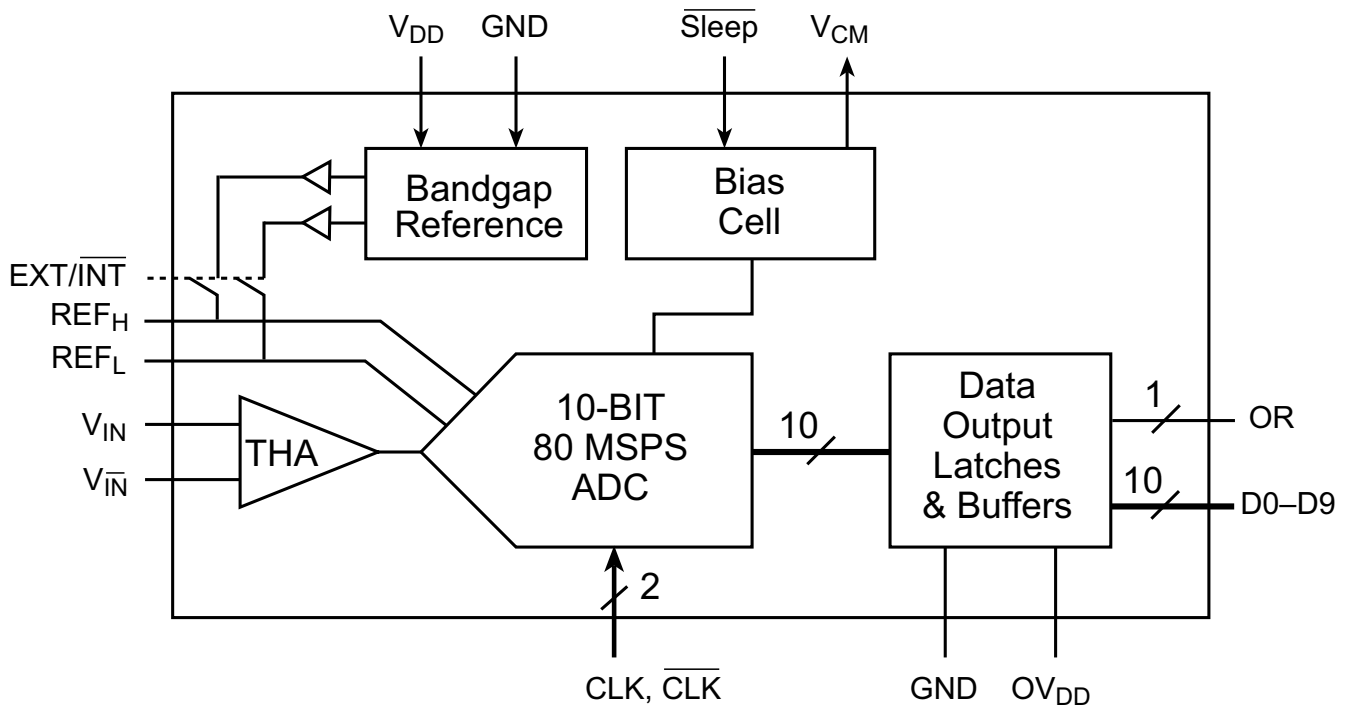
GENERAL DESCRIPTION

The SPT7868 is a 10-bit, 80 MSPS analog-to-digital converter with low power dissipation at only 627 mW typical at 80 MSPS with a power supply of +5.0 V. The digital outputs are +3 V or +5 V, and are user selectable. The SPT7868 has incorporated proprietary circuit design and CMOS

processing technologies to achieve its advanced performance. Inputs and outputs are TTL/CMOS compatible to interface with TTL/CMOS logic systems. Output data format is straight binary.

The SPT7868 is available in a 28-lead SSOP package over the industrial temperature range.

BLOCK DIAGRAM



Signal Processing Technologies, Inc.

4755 Forge Road, Colorado Springs, Colorado 80907, USA

Phone: 719-528-2300

Fax: 719-528-2370

Web Site: <http://www.spt.com>

e-mail: sales@spt.com

ABSOLUTE MAXIMUM RATINGS (Beyond which damage may occur)¹ 25 °C

Supply Voltages

V_{DD} TBD
 OV_{DD} TBD

Output

Digital Outputs TBD

Input Voltages

Analog Input TBD
 CLK Input TBD

Temperature

Operating Temperature -40 to +85 °C
 Storage Temperature -65 to +150 °C

Note: 1. Operation at any Absolute Maximum Rating is not implied. See Electrical Specifications for proper nominal applied conditions in typical applications.

ELECTRICAL SPECIFICATIONS

T_A=T_{MIN} to T_{MAX}, V_{DD}=+5.0 V, f_S=80 MSPS, V_{RHS}=3.0 V, V_{RLS}=2.0 V, unless otherwise specified.

PARAMETERS	TEST CONDITIONS	TEST LEVEL	MIN	SPT7868 TYP	MAX	UNITS
Resolution			10			Bits
DC Accuracy						
Differential Linearity Error (DLE)	@ +25 °C full temperature	V		±0.5 ±0.75		LSB LSB
Integral Linearity Error (ILE)	@ +25 °C full temperature	V		±0.8 ±1.0		LSB LSB
No Missing Codes		VI		Guaranteed		
Analog Input						
Input Voltage Range (Differential)		V		±1		V
Input Common Mode		V		2.5		V
Input Capacitance		V		2		pF
Common Mode Rejection Ratio (CMRR)				TBD		
Timing Characteristics						
Conversion Rate		VI	80			MSPS
Pipeline Delay (Latency)		IV		7		clocks
Output Delay (t _D)		IV	TBD	TBD	TBD	ns
Aperture Delay Time		V		TBD		ns
Aperture Jitter Time		V		TBD		ps (rms)
Dynamic Performance						
Effective Number of Bits (ENOB)						
f _{IN} = 15 MHz, f _{CLK} = 80 MSPS	25 °C	I	9.0	9.2		Bits
	-40 °C to +85 °C	IV	8.8	9.0		Bits
Signal-to-Noise Ratio (SNR)						
f _{IN} = 15 MHz, f _{CLK} = 80 MSPS	25 °C	I	57	57		dB
	-40 °C to +85 °C	IV	TBD	TBD		dB
Total Harmonic Distortion (THD)						
f _{IN} = 15 MHz, f _{CLK} = 80 MSPS	25 °C	I		-69	-66	dB
	-40 °C to +85 °C	IV		TBD	TBD	dB
Signal-to-Noise and Distortion (SINAD)						
f _{IN} = 15 MHz, f _{CLK} = 80 MSPS	25 °C	I	56	57		dB
	-40 °C to +85 °C	IV	TBD	TBD		dB
Spurious Free Dynamic Range (SFDR)						
f _{IN} = 15 MHz, f _{CLK} = 80 MSPS	25 °C	I	69	72		dB
	-40 °C to +85 °C	IV	TBD	TBD		dB

ELECTRICAL SPECIFICATIONS

$T_A = T_{MIN}$ to T_{MAX} , $V_{DD} = +5.0$ V, $f_S = 80$ MSPS, $V_{RHS} = 3.0$ V, $V_{RLS} = 2.0$ V, unless otherwise specified.

PARAMETERS	TEST CONDITIONS	TEST LEVEL	MIN	SPT7868 TYP	MAX	UNITS
Power Supply Requirements						
V_{DD} Voltage (Analog Supply)		IV	4.75	5.0	5.25	V
OV_{DD} Voltage (Output Supply)		IV	2.7	3.3/5.0	5.25	V
V_{DD} Current		VI		125	131	mA
OV_{DD} Current		VI		14	16	mA
Power Dissipation						
External Voltage Reference		VI		619	643	mW
Internal Voltage Reference		VI		627	651	mW
Sleep Mode Power Dissipation						
External Voltage Reference		VI		TBD	TBD	mW
Internal Voltage Reference		VI		TBD	TBD	mW
Power Supply Rejection Ratio (PSRR)		V		TBD		mV/V
Internal References						
Common Mode Voltage Reference (V_{CM})	$IO = -1 \mu A$	VI	TBD	2.5	TBD	V
Common Mode Voltage Tempco		V		100		ppm/°C
Output Impedance		V		TBD		k Ω
Current Capability		VI		TBD		μA
Reference Low Output Voltage (V_{REFL})	$(EXT/\overline{INT}) = 0$	VI	1.95	2.0	2.05	V
Reference High Output Voltage (V_{REFH})	$(EXT/\overline{INT}) = 0$	VI	2.95	3.0	3.05	V
External References						
Reference Low Input Voltage Range	$(EXT/\overline{INT}) = 1$	IV	1.7	2.0	2.3	V
Reference High Input Voltage Range	$(EXT/\overline{INT}) = 1$	IV	2.7	3.0	3.3	V
Digital Outputs						
Output Voltage High	$IO = -2$ mA	VI	85% OV_{DD}	90% OV_{DD}	OV_{DD}	V
Output Voltage Low	$IO = 2$ mA	VI		0.2	0.4	V
Digital Inputs						
Input High Voltage		VI	80% V_{DD}			V
Input Low Voltage		VI			20% V_{DD}	V
Input High Current		VI			± 10	μA
Input Low Current		VI			± 10	μA
Clock Inputs						
Clock Inputs High Voltage		VI	2		5	V
Clock Inputs Low Voltage		VI			0.4	V

TEST LEVEL CODES

All electrical characteristics are subject to the following conditions:

All parameters having min/max specifications are guaranteed. The Test Level column indicates the specific device testing actually performed during production and Quality Assurance inspection. Any blank section in the data column indicates that the specification is not tested at the specified condition.

TEST LEVEL

- I
- II
- III
- IV
- V
- VI

TEST PROCEDURE

- 100% production tested at the specified temperature.
- 100% production tested at $T_A = +25$ °C, and sample tested at the specified temperatures.
- QA sample tested only at the specified temperatures.
- Parameter is guaranteed (but not tested) by design and characterization data.
- Parameter is a typical value for information purposes only.
- 100% production tested at $T_A = +25$ °C. Parameter is guaranteed over specified temperature range.

Figure 1 – Driving Differential Inputs with a Differential Configuration

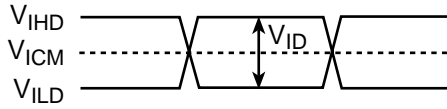
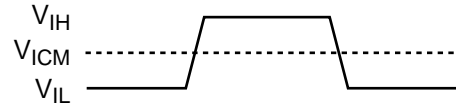
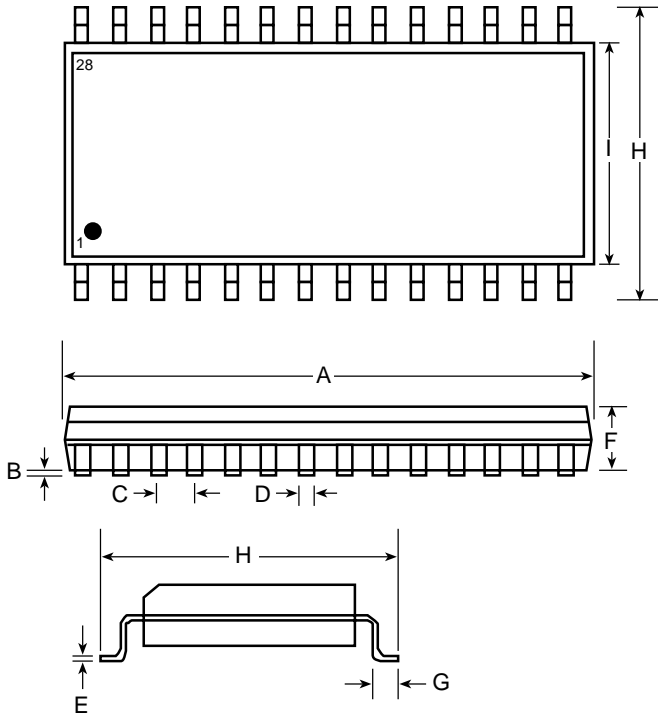


Figure 2 – Driving Differential Inputs with a Single-Ended Configuration



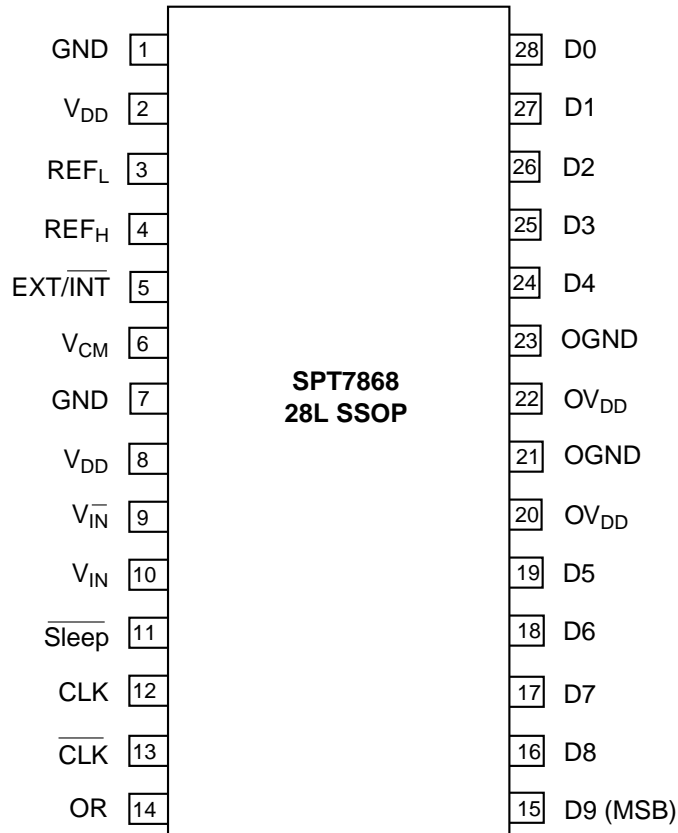
PACKAGE OUTLINE

28-Lead SSOP



SYMBOL	INCHES		MILLIMETERS	
	MIN	MAX	MIN	MAX
A	0.397	0.407	10.07	10.33
B	0.002	0.008	0.05	0.21
C		0.0256 typ		0.65 typ
D	0.010	0.015	0.25	0.38
E	0.004	0.008	0.09	0.20
F	0.066	0.070	1.68	1.78
G	0.025	0.037	0.63	0.95
H	0.301	0.311	7.65	7.90
I	0.205	0.212	5.20	5.38

PIN ASSIGNMENTS



PIN FUNCTIONS

Name	Function
GND	Analog ground
V _{DD}	Analog +5 V
OGND	Output ground
OV _{DD}	Supply voltage for digital outputs +5 V or +3.3 V
REF _L	Reference pin low, input for external reference, bypass with capacitor (100 nF) when internal reference is selected.
REF _H	Reference pin high, input for external reference, bypass with capacitor (100 nF) when internal voltage is selected.
V _{CM}	2.5 V common mode voltage reference output
V _{IN}	Non-inverted analog input
V _{IN}	Inverted analog input
CLK	Clock input pin
CLK	Complement of clock input pin, internally biased to 1.5 V; if single-ended clock is used, bypass to GND with 100 nF
D0–D9	Digital outputs; D0 = LSB; 3.3 V/5 V compatible
OR	Overrange bit; 3.3 V/5 V compatible
EXT/INT	EXT/INT = 1, external reference used; internal reference powered down EXT/INT = 0, internal reference used; internally pulled down
Sleep	Sleep = 1, normal operation; internally pulled up Sleep = 0, powered-down mode

ORDERING INFORMATION

PART NUMBER	TEMPERATURE RANGE	PACKAGE TYPE
SPT7868SIR	–40 to +85 °C	28L SSOP

Signal Processing Technologies, Inc. reserves the right to change products and specifications without notice. Permission is hereby expressly granted to copy this literature for informational purposes only. Copying this material for any other use is strictly prohibited.

WARNING – LIFE SUPPORT APPLICATIONS POLICY – SPT products should not be used within Life Support Systems without the specific written consent of SPT. A Life Support System is a product or system intended to support or sustain life which, if it fails, can be reasonably expected to result in significant personal injury or death.

Signal Processing Technologies believes that ultrasonic cleaning of its products may damage the wire bonding, leading to device failure. It is therefore not recommended, and exposure of a device to such a process will void the product warranty.