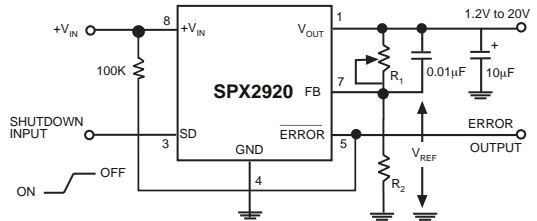


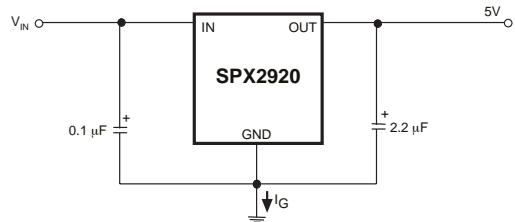
400mA Low Drop Out Voltage Regulator with Shutdown

FEATURES

- Output 3.3V, 5.0V, at 400mA Output
- Very Low Quiescent Current
- Low Dropout Voltage
- Extremely Tight Load And Line Regulation
- Very Low Temperature Coefficient
- Current & Thermal Limiting
- Error Flag Warns Of Output Dropout (for SO-8)
- Logic-Controlled Electronic Shutdown (for SO-8)
- Output Programmable From 1.24V to 20V (for SO-8)
- Equivalent Replacement for MIC2920A and MIC2904



Adjustable Regulator



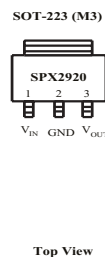
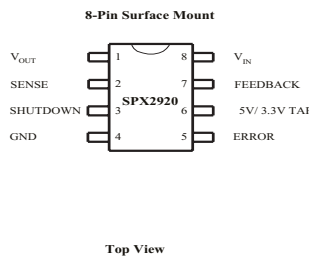
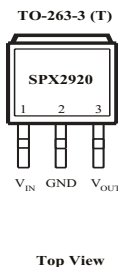
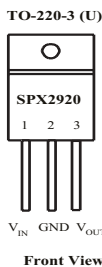
5V Regulator Circuit

DESCRIPTION

The SPX2920 is a low power voltage regulator. This device is an excellent choice for use in battery-powered applications such as cordless telephones, radio control systems, and portable computers. The SPX2920 features very low quiescent current (140µA Typ.) and very low dropout voltage. This includes a tight initial tolerance of 1% max and very low output temperature coefficient, making the SPX2920 useful as a low-power voltage reference.

The error flag output feature is used as power-on reset for warning of a low output voltage, due to a falling voltage input of batteries. Another feature is the logic-compatible shutdown input which enables the regulator to be switched on and off. The SPX2920 is offered in 3-pin TO-220 package, SO-8 (same pin out as SPX2951), SOT-223, and surface mount and 3-pin TO-263 packages.

The regulator output voltage (of the SO-8) may be pin-strapped for a 3.3V and 5.0V or programmed from 1.24V to 20V with an external pair of resistors.



ABSOLUTE MAXIMUM RATINGS

Power Dissipation Internally Limited
 Lead Temp. (Soldering, 5 Seconds) 260°C
 Storage Temperature Range -65°C to +150°C
 Operating Junction Temperature Range -40°C to +125°C
 Input Supply Voltage -20V to +20V

Feedback Input Voltage -1.5V to +20V
 Shutdown Input Voltage -0.3V to +20V
 Error Comparator Output -0.3V to +20V
 ESD Rating 2kV

ELECTRICAL CHARACTERISTICS

Electrical characteristics at $V_{IN} = V_O + 1V$, $I_O = 1mA$, $C_{OUT} = 2.2\mu F$, $T_A = 25^\circ C$, unless otherwise specified. **Boldface** applies over the full operating temperature range.

PARAMETER	CONDITIONS (Note 2)	TYP	MIN	MAX	UNITS
3.3V Version					
Output Voltage	$1mA \leq I_L \leq 400mA$	3.3	3.267	3.333	V
		3.3	3.217	3.382	
5.0V Version					
Output Voltage	$1mA \leq I_L \leq 400mA$	5.0	4.950	5.050	V
		5.0	4.880	5.120	
All Voltage Options					
Output Voltage Temperature Coefficient	(Note1)	20		100	ppm/°C
Line Regulation (Note 4)	$6V \leq V_{IN} \leq 20V$	1.5		20	mV
Load Regulation (Note 3)	$I_L = 1$ to 400mA	5		20 30	mV
Dropout Voltage (Note5)	$I_L = 1mA$	60		100 150	mV
	$I_L = 400mA$	370		400 500	
Ground Current	$I_L = 1mA$	140		200 300	μA
	$I_L = 100mA$	1.3		2 2.5	mA
	$I_L = 250mA$	3.4		9 12	mA
	$I_L = 400mA$	6		15 25	mA
Current Limit	$V_{OUT} = 0$			800	mA
Thermal Regulation		0.05		0.2	%/W
Output Noise, 10Hz to 100kHz $I_L = 100mA$	$C_L = 10\mu F$	400			μV Vrms
	$C_L = 100\mu F$	260			
Adjustable 8-Pin Version only					
Reference Voltage		1.235	1.210	1.260	V
Reference Voltage	Over Temperature		1.185	1.285	V
Feedback Pin Bias Current		20		40 60	nA
Reference Voltage Temperature Coefficient		20			ppm/°C

ELECTRICAL CHARACTERISTICS

Electrical characteristics at $V_{IN} = V_O + 1V$, $I_O = 1mA$, $C_{OUT} = 2.2\mu F$, $T_A = 25^\circ C$, unless otherwise specified. **Boldface** applies over the full operating temperature range.

PARAMETER	CONDITIONS (Note 2)	TYP	MIN	MAX	UNITS
Feedback Pin Bias Current Temperature Coefficient		0.1			nA/°C
Error Comparator					
Output Leakage Current	$V_{OUT}=20V$	0.01		1 2	μA
Output Low Voltage	$V_{IN}=4.5V$ $I_{OUT}=400\mu A$	150		250 400	mV
Upper Threshold Voltage	(Note 6)	60	40 25		mV
Lower Threshold Voltage	(Note 6)	75		95 140	mV
Hysteresis	(Note 6)	15			mV
Shutdown Input					
Input Logic Voltage	Low (Regulator ON) High (Regulator OFF)	1.3		0.7 2.0	V
Shutdown Pin Input Current	$V_S=2.4V$ $V_S=20V$	30 450		50 100 600 750	μA
Regulator Output Current in Shutdown	(Note 7)	3	10 20		μA

Note 1: Output or reference voltage temperature coefficients defined as the worst case voltage change divided by the total temperature range.

Note 2: Additional conditions for the 8-pin versions are feedback tied to 5V/3.3V tap and output tied to output sense ($V_{OUT} = 5V$) and $V_{SHUTDOWN} \leq 0.8V$.

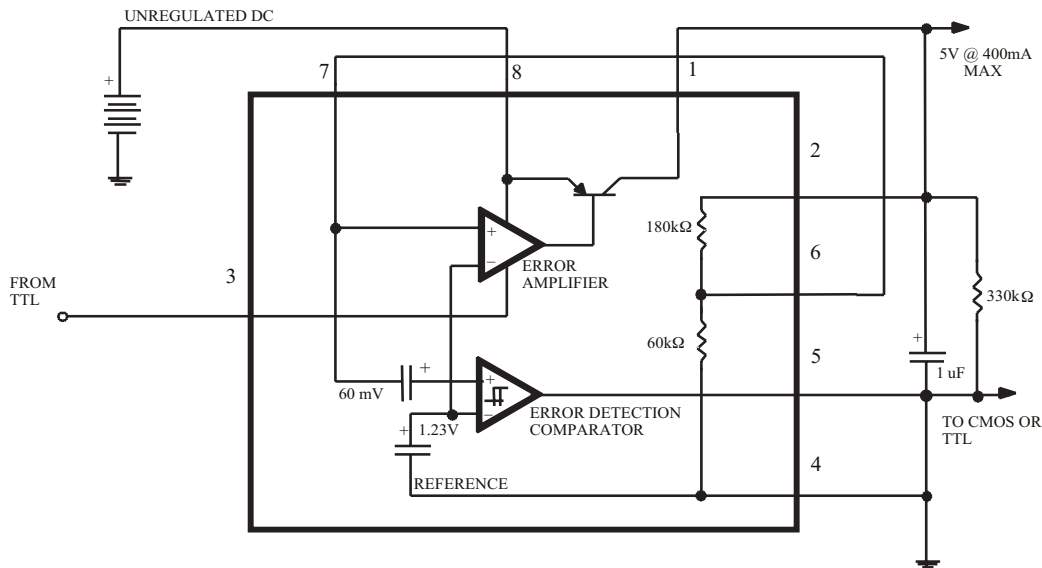
Note 3: Regulation is measured at constant junction temperature, using pulse testing with a low duty cycle. Changes in output voltage due to heating effects are covered under the specification for thermal regulation.

Note 4: Line regulation for the SPX2920 is tested at $150^\circ C$ for $I_L = 1mA$. For $T_J = 125^\circ C$, line regulation is guaranteed by design.

Note 5: Dropout voltage is defined as the input to output differential at which the output voltage drops 100 mV below its nominal value measured at 1V differential at very low values of programmed output voltage, the minimum input supply voltage of 2V (2.3V over temperature) must be taken into account.

Note 6: Comparator thresholds are expressed in terms of a voltage differential at the feedback terminal below the nominal reference voltage measured at 6V input. To express these thresholds in terms of output voltage change, multiply by the error amplifier gain $= V_{OUT}/V_{REF} = (R1 + R2)/R2$. For example, at a programmed output voltage of 5V, the Error output is guaranteed to go low when the output drops by $95mV \times 5V/1.235 = 384mV$. Thresholds remain constant as a percent of V_{OUT} as V_{OUT} is varied, with the dropout warning occurring at typically 5% below nominal, 7.5% guaranteed.

Note 7: $V_{SHUTDOWN} \geq 2V$, $V_{IN} \leq 20V$, $V_{OUT} = 0$, Feedback pin tied to 5V/3.3V Tap.



SPX2920-5.0 Block Diagram

APPLICATION HINTS

External Capacitors

The stability of the SPX2920 requires a 2.2μF or greater capacitor between output and ground. Oscillation could occur without this capacitor. Most types of tantalum or aluminum electrolytic works fine here. For operations of below -25°C solid tantalum is recommended since the many aluminum types have electrolytes that freeze at about -30°C. The ESR of about 5Ω or less and resonant frequency above 500kHz are the most important parameters in the value of the capacitor. The capacitor value can be increased without limit.

At lower values of output current, less output capacitance is required for stability. For the currents below 10mA the value of the capacitor can be reduced to 0.5μF and 0.15μF for 1mA. More output capacitance needed for the 8-pin version at voltages below 5V since it runs the error amplifier at lower gain. At worst case 4.7μF or greater must be used for the condition of 250mA load at 1.23V output.

The SPX2920, unlike other low dropout regulators will remain stable and in regulation with no load in addition to the internal voltage divider. This feature is especially important in applications like CMOS RAM keep-alive.

If there is more than 10 inches of wire between the input and the AC filter capacitor, or if a battery is used as the input, then a 0.1μF tantalum or aluminum electrolytic capacitor should be placed from the input to the ground.

Instability can occur if there is stray capacitance to the SPX2920 feedback terminal (pin 7). This could cause more problems when using a higher value of external resistors to set the output voltage.

This problem can be fixed by adding a 100pF capacitor between output and feedback and increasing the output capacitor to at least 3.3μF.

Error Detection Comparator Output

The Comparator produces a logic low output whenever the SPX2920 output falls out of regulation by more than around 5%. This is around 60mV offset divided by the 1.235 reference voltage. This trip level remains 5% below normal regardless of the programmed output voltage of the regulator. Figure 1 shows the timing diagram depicting the ERROR signal and the regulator output voltage as the SPX2920 input is ramped up and down. The ERROR signal becomes low at around 1.3V input, and goes high around 5V input (input voltage at which $V_{OUT} = 4.75$). Since the SPX2920's dropout voltage is load dependent, the input voltage trip point (around 5V) will vary with the load current. The output voltage trip point (approx. 4.75V) does not vary with load.

The error comparator has an open-collector output, which requires an external pull-up resistor. Depending on the system requirements the resistor may be returned to 5V output or other supply voltage. In determining the value of this resistor, note that the output is rated to sink 400 μ A; this value adds to battery drain in a low battery condition. Suggested values range from 100K to 1M Ω . If the output is unused this resistor is not required.

Programming the Output Voltage of SPX2920

The SPX2920 may be pin-strapped for 5V or 3.3V using its internal voltage divider by tying Pin 1 (output) to Pin 2 (sense) and Pin 7 (feedback) to Pin 6 (5V/3.3V Tap).

Also, it may be programmed for any output voltage between its 1.235V reference and its 20V maximum rating. As seen on the front page, an external pair of resistors is required. Refer to the below equation for the programming of the output voltage::

$$V_{OUT} = V_{REF} \times (1 + R_1/R_2) + I_{FB}R_1$$

The V_{REF} is 1.235 and I_{FB} is the feedback bias current, nominally -20nA. The minimum recommended load current of 1 μ A forces an upper limit of 1.2M Ω on value of R_2 . If no load is presented the I_{FB} produces an error of typically

2% in V_{OUT} , which may be eliminated at room temperature by trimming R_1 . To improve the accuracy choose the value of $R_2 = 100k$; this reduces the error by 0.17% and increases the resistor program current by 12 μ A. Since the SPX2920 typically draws 60 μ A at no load with Pin 2 open-circuited this is a small price to pay.

Reducing Output Noise

It may be an advantage to reduce the AC noise present at the output. One way is to reduce the regulator bandwidth by increasing the size of the output capacitor. This is the only way that noise can be reduced on the 3 lead SPX2920 but is relatively inefficient, as increasing the capacitor from 1 μ F to 220 μ F only decreases the noise from 430 μ V to 160 μ V Vrms for a 100kHz bandwidth at 5V output.

Noise could also be reduced fourfold by a bypass capacitor across R_1 , since it reduces the high frequency gain from 4 to unity. Pick

$$C_{BYPASS} \cong 1 / 2\pi R_1 \times 200 \text{ Hz}$$

or choose 0.01 μ F. When doing this, the output capacitor must be increased to 3.3 μ F to maintain stability. These changes reduce the output noise from 430 μ V to 100 μ V Vrms for a 100kHz bandwidth at 5V output. With the bypass capacitor added, noise no longer scales with output voltage so that improvements are more dramatic at higher output voltages.

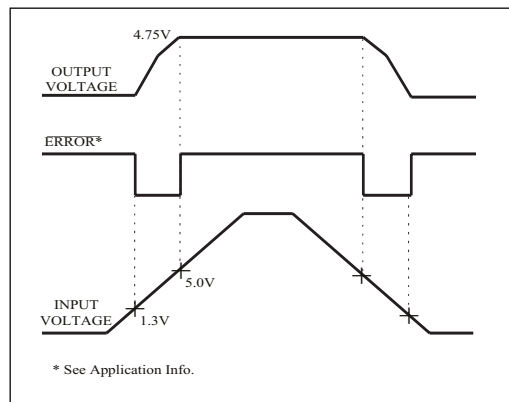
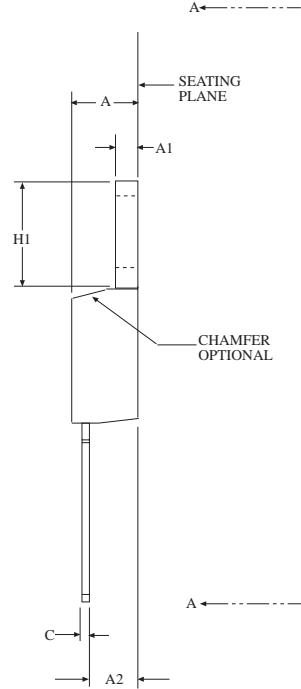
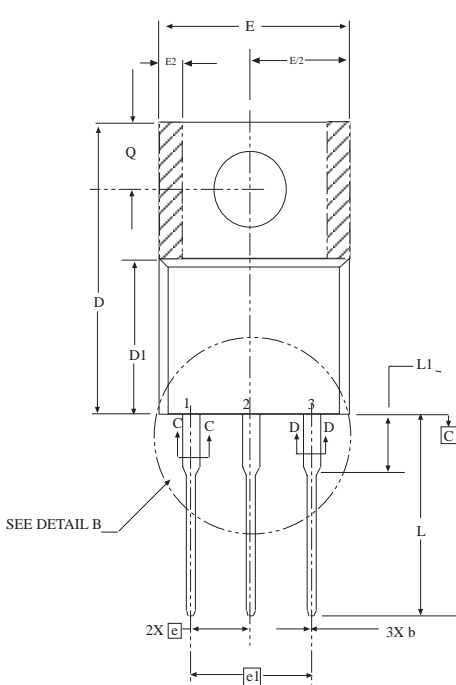
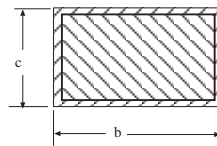
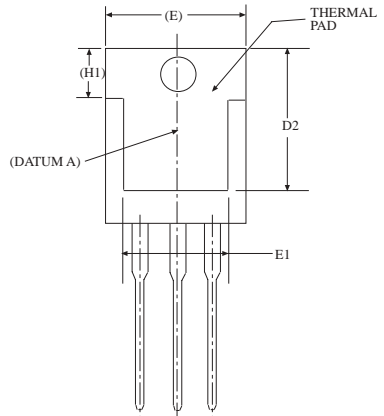
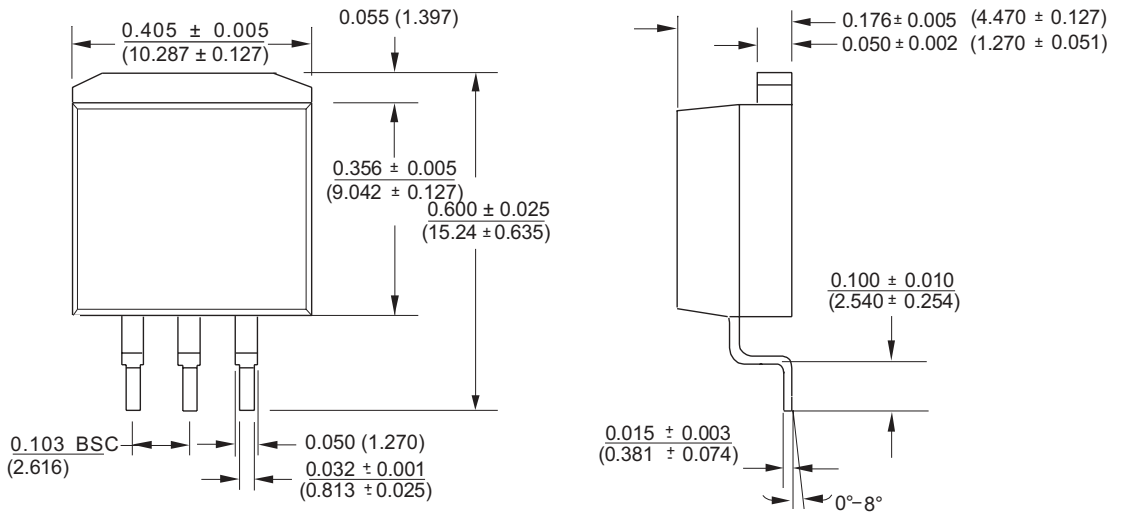


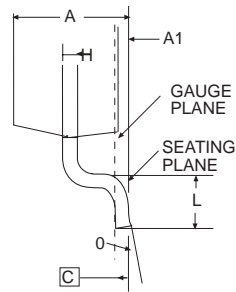
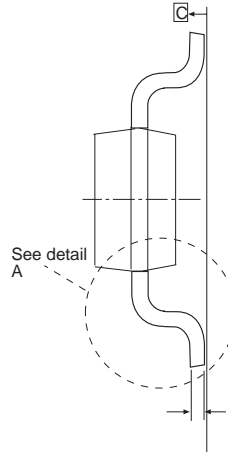
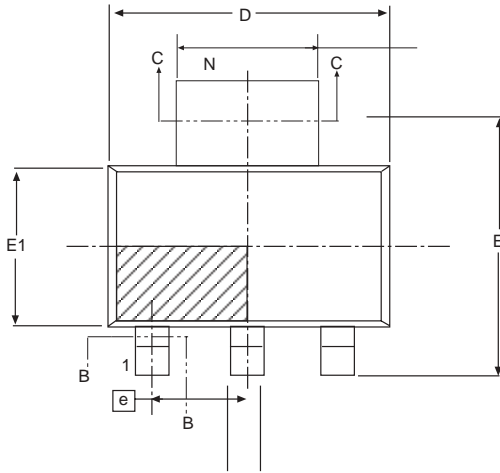
Figure 1. ERROR Output Timing



3 PIN TO-220 JEDEC TO-220 (AB) Variation	Dimensions in (mm)		
	MIN	NOM	MAX
A	4.06	-	4.83
b	0.63	-	1.04
C1	0.36	-	0.56
D	14.22	-	14.99
E	9.78	-	10.54
e	1.57	-	1.53
e3	0.76	-	1.02
F	.14	-	1.40
H1	5.94	-	6.55
J1	2.29	-	2.92
øP	3.71	-	3.96
Q	2.62	-	2.87
L	13.72	-	14.22
ø	3	-	7
U	7.62 REF		
V	6.10 REF		

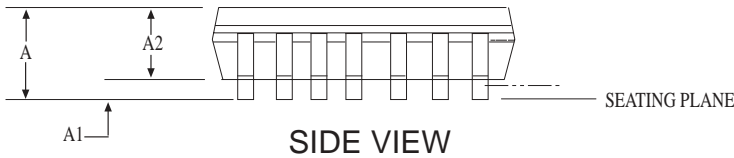
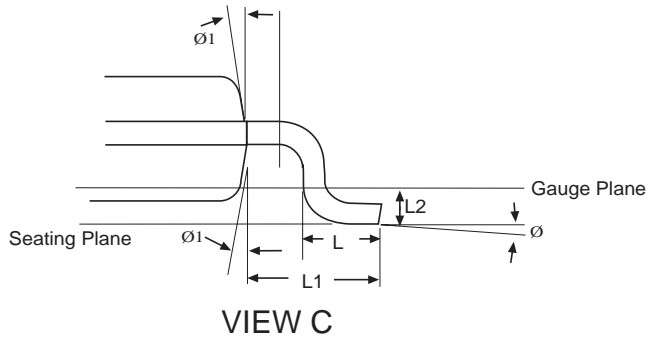
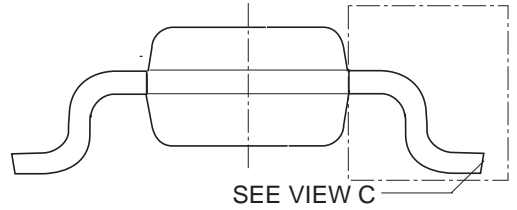
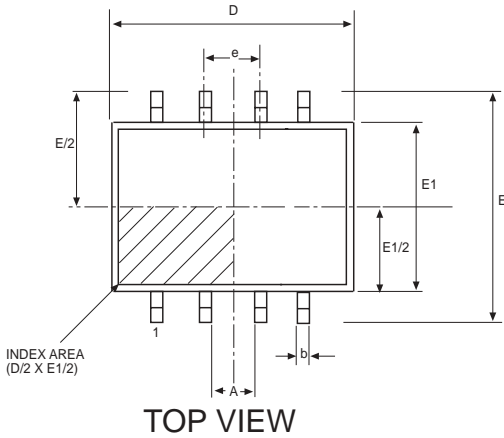




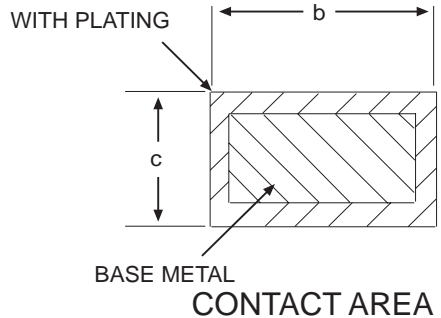


Dimensions in (mm)	3 PIN SOT-223 JEDEC TO-261 (AA) Variation		
	MIN	NOM	MAX
A	-	-	1.80
A1	0.02	-	0.10
A2	1.50	1.60	1.70
b	0.66	0.76	0.84
b1	0.60	0.71	0.79
b2	2.90	3.00	3.10
b3	2.84	2.95	3.05
c	0.23	0.30	0.35
c1	0.23	0.28	0.33
D	6.30	6.50	6.70
E	6.70	7.00	7.30
E1	3.30	3.50	3.70
e	2.30 BASIC		
e1	4.60 BASIC		
L	0.75	-	-
N	-	5	-
∅	0°	-	10°

3 PIN SOT-223



8 Pin NSOIC (JEDEC MS-012, AA - VARIATION)	DIMENSIONS Minimum/Maximum (mm)		
COMMON HEIGHT DIMENSION			
SYMBOL	MIN	NOM	MAX
A	1.35	-	1.75
A1	0.10	-	0.25
A2	1.25	-	1.65
b	0.31	-	0.51
c	0.17	-	0.25
D	4.90 BSC		
E	6.00 BSC		
E1	3.90 BSC		
e	1.27 BSC		
L	0.40	-	1.27
L1	1.04 REF		
L2	0.25 BSC		
Ø	0°	-	8°
Ø1	5°	-	15°



PACKAGE: 8 PIN NSOIC

Ordering No.	Accuracy	Output Voltage	Packages
SPX2920M3-3.3	1%	3.3V	3-Pin SOT-223
SPX2920M3-5.0	1%	5.0V	3-Pin SOT-223
SPX2920S-3.3	1%	3.3V	8-Pin NSOIC
SPX2920S-5.0	1%	5.0V	8-Pin NSOIC
SPX2920T-3.3	1%	3.3V	3-Pin TO-263
SPX2920T-5.0	1%	5.0V	3-Pin TO-263
SPX2920U-3.3	1%	3.3V	3-Pin TO-220
SPX2920U-5.0	1%	5.0V	3-Pin TO-220



SIGNAL PROCESSING EXCELLENCE

Sipex Corporation

**Headquarters and
Sales Office**

233 South Hillview Drive
Milpitas, CA 95035
TEL: (408) 934-7500
FAX: (408) 935-7600

Sales Office

22 Linnell Circle
Billerica, MA 01821
TEL: (978) 667-8700
FAX: (978) 670-9001
e-mail: sales@sipex.com