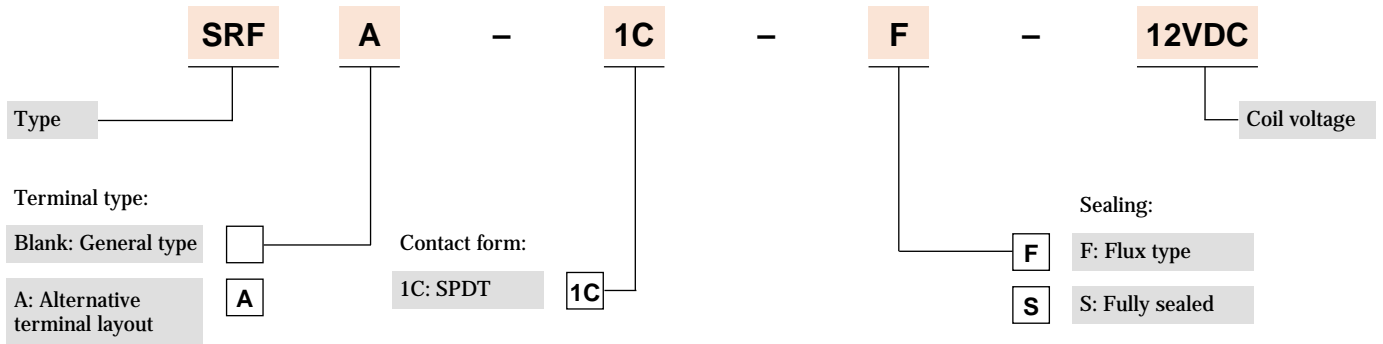


- 1 Form C (SPDT)
- Flux and fully sealed versions available
- High sensitivity coil - 200mW
- CUR recognised



Options and ordering codes



Contact rating

Contact form	1C (SPDT)
Maximum switching power	240VA (360VA)* / 56W (84W)*
Maximum switching voltage	120VAC / 60VDC
Maximum switching current	2A (3A)*
Maximum carrying current	3A

*Ratings for 30k ops

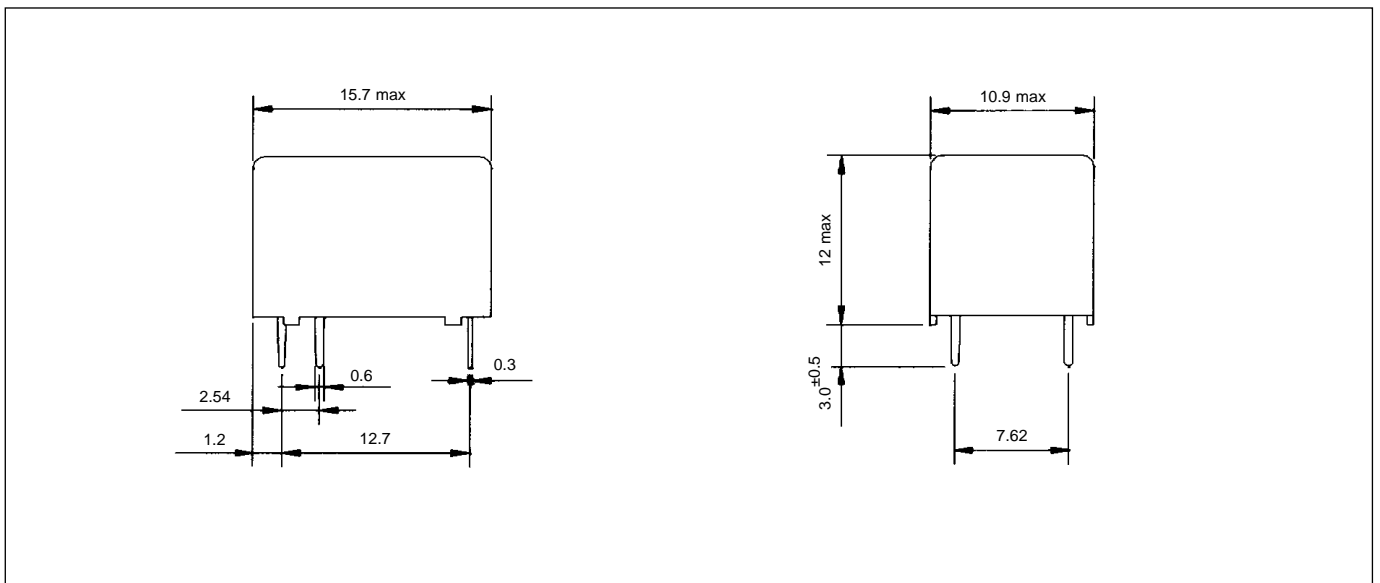
Specifications

Contact material	Ag + gold flash	
Initial contact resistance	100mΩ Max	
Operate time	10ms Max. (at rated voltage)	
Release time	5ms Max. (at rated voltage)	
Nominal operating power	Approx. 200mW	
Insulation resistance	100MΩ at 500VDC	
Breakdown voltage	Between coil and contacts	500VAC (for 1 minute)
	Between open contacts	500VAC (for 1 minute)
Vibration resistance	Operating extremes	10~50Hz, amplitude 1.5mm
	Damage limits	10~50Hz, amplitude 1.5mm
Shock resistance	Operating extremes	10G
	Damage limits	100G
Ambient temperature	-25~+55°C and 35%~85% RH Max	
Life expectancy	Mechanical	10 x 10 ⁸ operations (frequency 18,000 operations/hour)
	Electrical (at max load)	1 x 10 ⁵ operations (frequency 1,800 operations/hour)
Weight	4g	

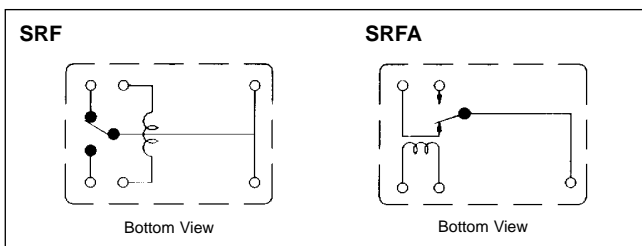
Coil specification

Rated voltage	Rated Current \pm 10% at 25°C (mA)	Coil Resistance \pm 10% at 25°C (Ω)	Max continuous voltage at 25°C	Pick up voltage (Max) at 25°C	Drop out voltage (Min) at 25°C	Power consumption at rated load
3	66.7	45	130% of rated voltage	75% of rated voltage	10% of rated voltage	Approx. 200mW
5	44.7	120				
6	33.3	180				
9	22.5	400				
12	17.1	700				
24	8.6	2800				

Dimensions mm



Wiring diagram



PCB layout

