

Features

- Available in E6 series
- Unit height of 8.5mm
- Current up to 7.5A

Applications

- Input/output of DC/DC converters
- Power supplies for:
 - Portable communication equipment
 - Camcorders
 - LCD TVs
 - Car radios

SRR1208 Series - Shielded High Power Inductors

Electrical Specifications

Bourns Part No.	Inductance 1kHz		Q Ref.	Test Frequency (MHz)	SRF Min. (MHz)	RDC (mΩ)	I rms Max. (A)	I sat Typ. (A)
	(μH)	Tol. %						
SRR1208-2R5M	2.5	± 20	20	7.96M	40.0	11	7.50	10.00
SRR1208-4R5M	4.5	± 20	24	7.96M	35.0	14	6.50	10.00
SRR1208-6R5M	6.5	± 20	25	7.96M	32.0	18	6.00	8.40
SRR1208-100M	10	± 20	20	2.52M	28.0	21	5.00	6.70
SRR1208-120M	12	± 20	19	2.52M	27.0	25	4.80	6.50
SRR1208-150M	15	± 20	21	2.52M	26.0	36	4.00	5.60
SRR1208-180M	18	± 20	21	2.52M	24.0	40	3.80	4.00
SRR1208-220M	22	± 20	23	2.52M	21.0	43	3.50	4.00
SRR1208-270M	27	± 20	23	2.52M	20.0	48	3.00	4.30
SRR1208-330Y	33	± 15	23	2.52M	19.0	62	2.80	3.80
SRR1208-390Y	39	± 15	25	2.52M	18.0	76	2.50	3.40
SRR1208-470Y	47	± 15	24	2.52M	17.0	85	2.20	3.10
SRR1208-560Y	56	± 15	23	2.52M	16.0	110	2.00	2.80
SRR1208-680Y	68	± 15	20	2.52M	15.0	135	1.80	2.60
SRR1208-820Y	82	± 15	18	2.52M	14.0	150	1.60	2.30
SRR1208-101Y	100	± 15	15	0.796M	13.0	170	1.50	2.10
SRR1208-121Y	120	± 15	15	0.796M	13.0	190	1.40	2.00
SRR1208-151Y	150	± 15	14	0.796M	13.0	240	1.30	1.72
SRR1208-181Y	180	± 15	14	0.796M	12.0	270	1.20	1.70
SRR1208-221K	220	± 10	13	0.796M	12.0	380	1.10	1.45
SRR1208-271K	270	± 10	13	0.796M	12.0	400	0.95	1.25
SRR1208-331K	330	± 10	13	0.796M	11.0	650	0.85	1.12
SRR1208-391K	390	± 10	14	0.796M	11.0	670	0.80	1.10
SRR1208-471K	470	± 10	14	0.796M	10.0	850	0.70	0.95
SRR1208-561K	560	± 10	14	0.796M	10.0	900	0.65	0.90
SRR1208-681K	680	± 10	13	0.796M	9.0	1000	0.60	0.82
SRR1208-821K	820	± 10	12	0.796M	9.0	1150	0.55	0.77
SRR1208-102K	1000	± 10	11	0.252M	8.0	1650	0.50	0.67
SRR1208-122K	1200	± 10	10	0.252M	8.0	2000	0.40	0.57
SRR1208-152K	1500	± 10	10	0.252M	7.0	2350	0.36	0.55

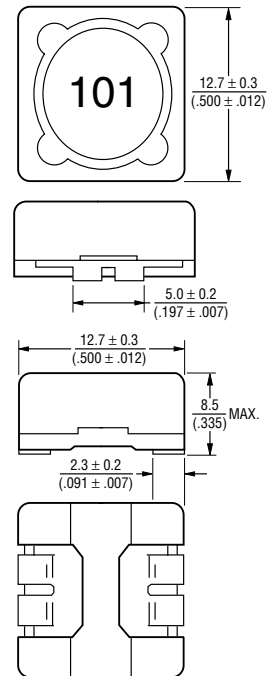
General Specifications

Test Voltage1V
 Reflow Soldering230°C, 10 sec. max.
 Operating Temperature-40°C to +105°C
 Storage Temperature-40°C to +125°C
 Resistance to Soldering Heat
260°C for 5 sec.

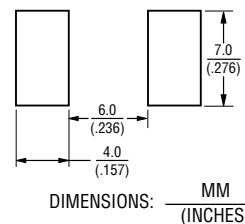
Materials

CoreFerrite DR and RI core
 WireEnamelled copper
 BaseLCP E4008
 TerminalTinned copper flat
 Rated Current
Ind. drop 10% typ. at Isat
 Temperature Rise
40°C max. at rated I rms
 Packaging400 pcs. per reel

Product Dimensions

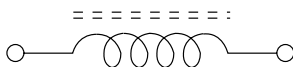


Recommended Layout



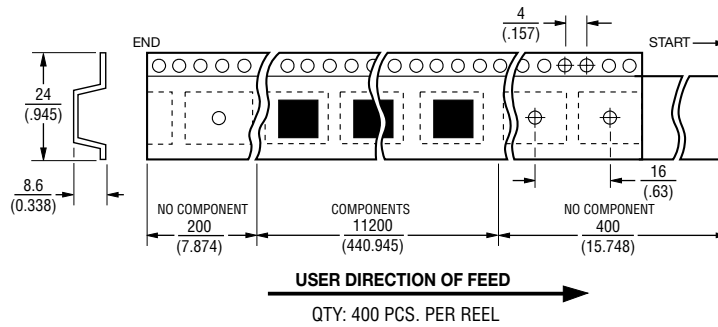
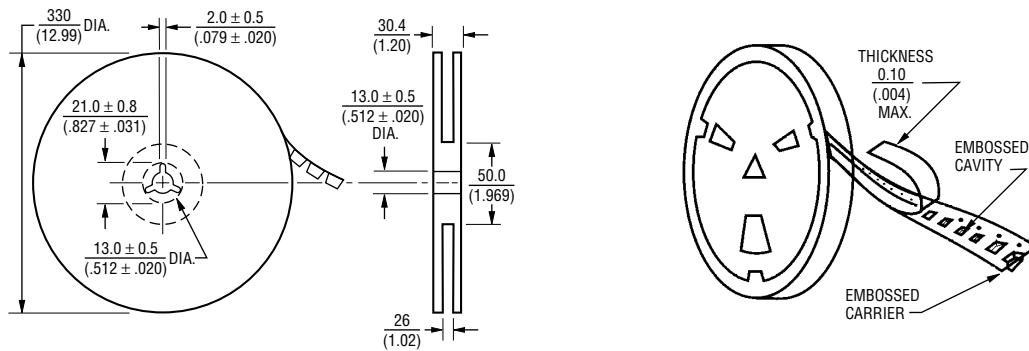
Specifications are subject to change without notice.

Electrical Schematic



SRR1208 Series - Shielded High Power Inductors

Packaging Specifications



DIMENSIONS: $\frac{\text{MM}}{\text{(INCHES)}}$