



TAYCHIPST

SURFACE MOUNT SCHOTTKY BARRIER RECTIFIER

SS1020FL THRU SS10100FL

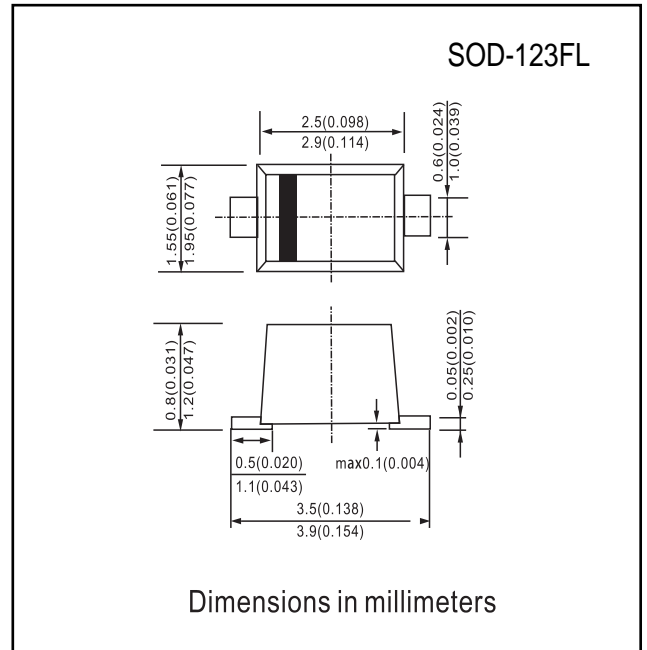
20V -100V 1.0A

FEATURES

- Low Turn-on Voltage
- Fast Switching
- PN Junction Guard Ring for Transient and ESD Protection
- Designed for Surface Mount Application
- Classification 94V-O

Mechanical Data

- Case: SOD-123FL, Molded Plastic
- Terminals: Plated Leads Solderable per MIL-STD-202, Method 208
- Polarity: Cathode Band
- Weight: 0.017 grams (approx.)
- Marking: SS1020FL G2 SS1030FL G3
SS1040FL G4 SS1060FL G6
SS10100FL G10



MAXIMUM RATINGS AND ELECTRICAL CHARACTERISTICS

Maximum Ratings @T_A=25°C unless otherwise specified

Characteristic	Symbol	SS1020FL	SS1030FL	SS1040FL	SS1060FL	SS10100FL	Unit
Peak Repetitive Reverse Voltage	V _{RRM}	20	30	40	60	100	V
Working Peak Reverse Voltage	V _{RFM}						
DC Blocking Voltage	V _R						
Forward Continuous Current (Note 1)	I _F	1.0					A
Non-Repetitive Peak Forward Surge Current 8.3ms Single half sine-wave superimposed on rated load (JEDEC Method)	I _{FSM}	25					A
Power Dissipation (Note 1)	P _d	450					mW
Operating and Storage Temperature Range	T _j , T _{STG}	-65 to +125					°C

Electrical Characteristics @T_A=25°C unless otherwise specified

Characteristic	Symbol	SS1020FL	SS1030FL	SS1040FL	SS1060FL	SS10100FL	Unit
Forward Voltage Drop @I _F = 1.0A	V _{FM}	0.45	0.55	0.55	0.70	0.85	V
Peak Reverse Leakage Current @ V _{RRM}	I _{RM}	500					μA
Typical Junction Capacitance	C _j	50					pF

Note: 1. Valid provided that terminals are kept at ambient temperature.



RATINGS AND CHARACTERISTIC CURVES SS1020FL THRU SS10100FL

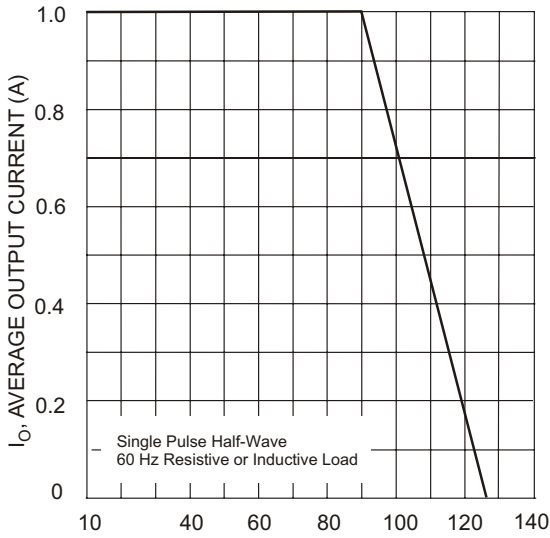


Fig. 1 Forward Current Derating Curve

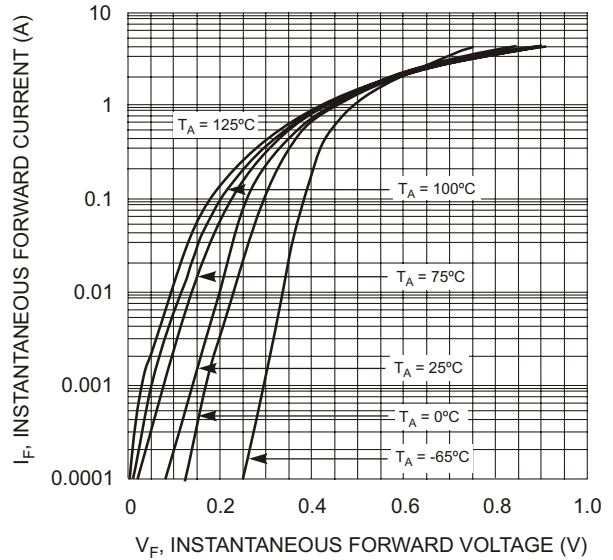


Fig. 2 Typical Forward Characteristics

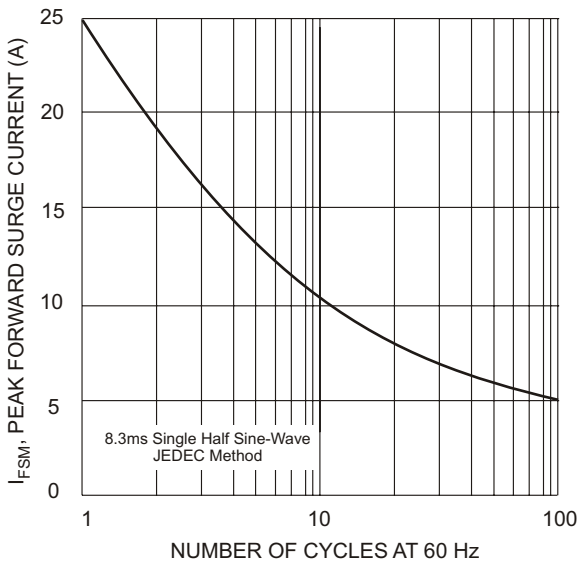


Fig. 3 Maximum Non-Repetitive Peak Fwd Surge Current

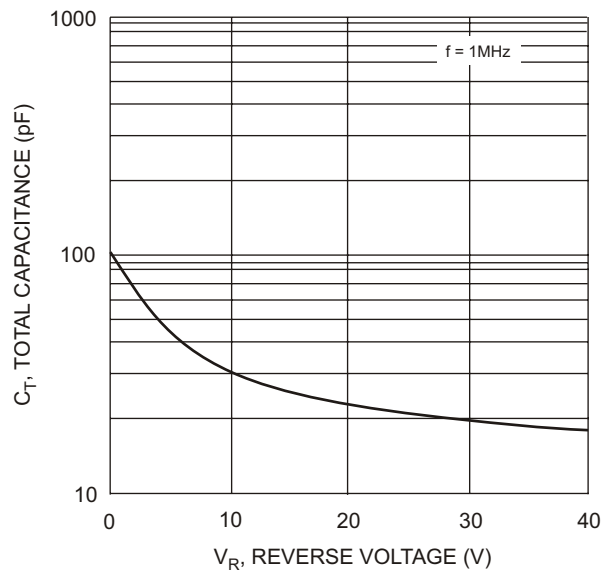


Fig. 4 Typical Total Capacitance