

High-Efficiency Step-Up DC/DC Controller

FEATURES

- 4V to 20V Input Voltage Operation.
- Adjustable Output Voltage.
- Low Quiescent Current at 100 μ A.
- Pulse-Skipping and Pulse-Frequency Modulation Maintain High Efficiency (max. 95%).
- 90KHz to 250KHz Oscillator Frequency.
- Power-Saving Shutdown Mode (8 μ A Typical).
- Push-Pull Driver Output.
- V_{REF} Pin Available.
- Current Limit Function Available.

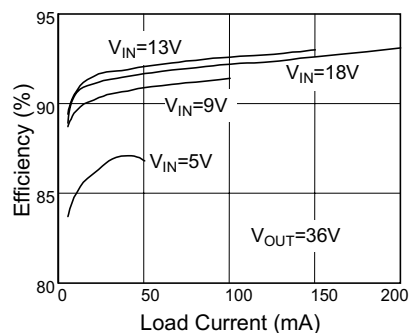
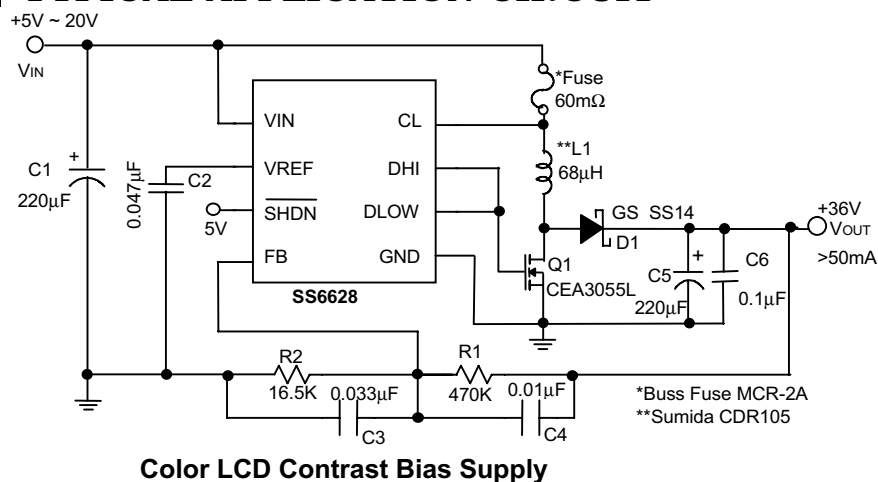
APPLICATIONS

- Flash Memory Programming Power Supply.
- Positive LCD Contrast Bias for Notebook & Palmtop Computers.
- Step-Up DC/DC Converter Module.
- Telecom Power Supply.

DESCRIPTION

The SS6628 is a high performance step-up DC/DC controller, designed to drive an external power switch to generate programmable positive voltages. In the particularly suitable LCD contrast bias and flash memory programming power supply applications, typical full-load efficiencies are 85% to 95%. 4V to 20V input operation range allows the SS6628 to be powered directly by the battery pack in the most battery-operated applications for greater efficiency. Output voltage can be scaled to 40V or greater by two external resistors. A Pulse-Frequency Modulation scheme is employed to maintain high efficiency conversion under wide input voltage range. Quiescent current is about 100 μ A and can be reduced to 8 μ A in shutdown mode. Switching frequency being around 90KHz to 250KHz range, small size switching components are ideal for battery powered portable equipments, like notebook and palmtop computers.

TYPICAL APPLICATION CIRCUIT



Efficiency vs. Output Current

ORDERING INFORMATION

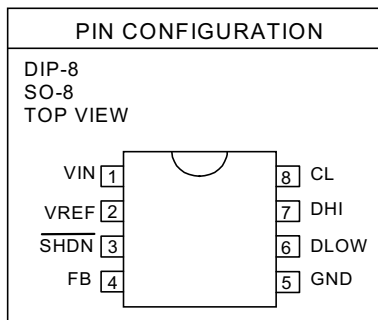
SS6628CXXX

PACKING TYPE
 TR: TAPE & REEL
 TB: TUBE

 PACKAGE TYPE
 N: PLASTIC DIP
 S: SMALL OUTLINE

EX: SS6628CSTR

→ in SO8 Package & Tape & Reel Packing Type
 (CN is not available in TR packing type.)



ABSOLUTE MAXIMUM RATINGS

VIN Supply Voltage (VIN Pin)	20V
SHDN Pin Voltage	15V
Operating Temperature Range	0°C~70°C
Storage Temperature Range	-65°C~ 150°C

TEST CIRCUIT

Refer to Typical Application Circuit

ELECTRICAL CHARACTERISTICS (VIN= 13V, TA=25°C, unless otherwise specified.)

PARAMETERS	TEST CONDITIONS	MIN.	TYP.	MAX.	UNIT
Input Voltage		4		20	V
Quiescent Current	VFB = 1.5V		100	200	μA
Shutdown Mode Current	V $\overline{\text{SHDN}}$ = 0V		8	20	μA
VREF Voltage	ISOURCE = 250μA	1.16	1.22	1.28	V
VREF Source Current		250			μA
DLOW "ON Resistance"			15		Ω
DHI "ON Resistance"			10		Ω
CL Threshold	VIN - VCL	45	60	75	mV
Shutdown Threshold		0.8	1.5	2.4	V
Shutdown Input Leakage Current	V $\overline{\text{SHDN}}$ < 15V			1	μA

TYPICAL PERFORMANCE CHARACTERISTICS

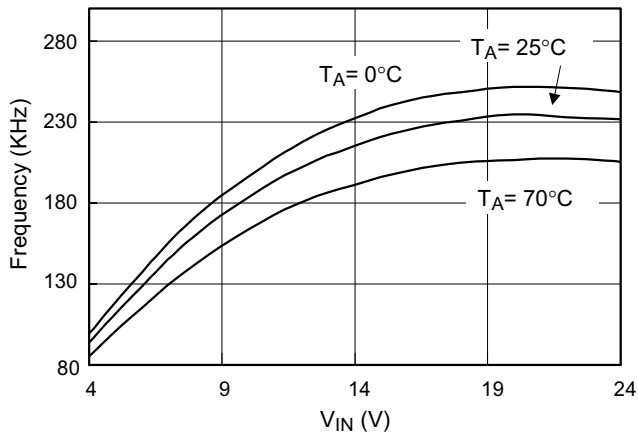


Fig. 1 Frequency vs. V_{IN} Voltage

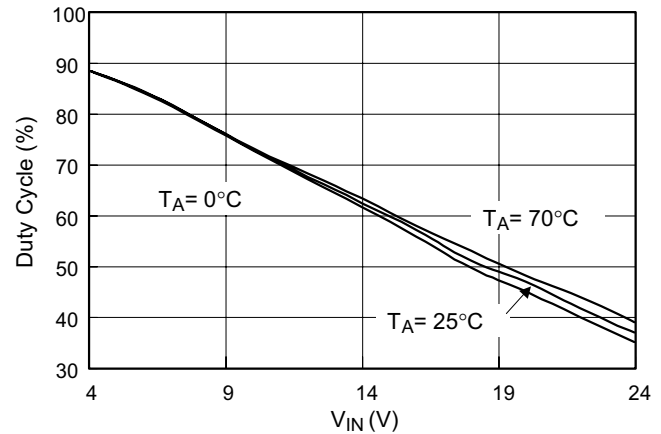


Fig. 2 Duty Cycle vs. V_{IN} Voltage

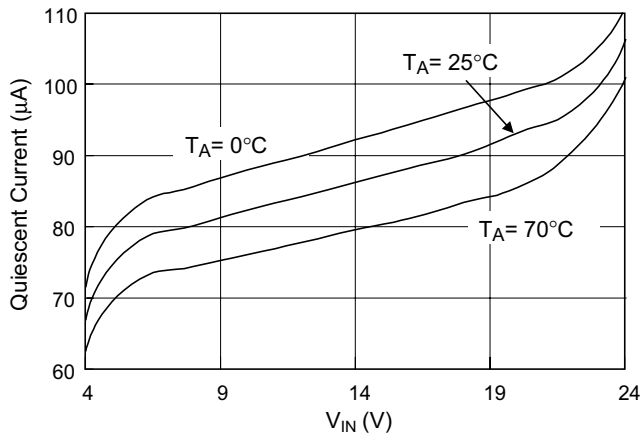


Fig. 3 Quiescent Current vs. V_{IN} Voltage

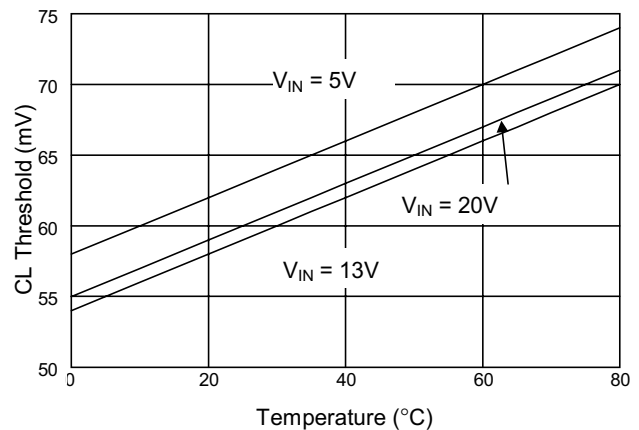


Fig. 4 Current Limit Threshold vs. Temperature

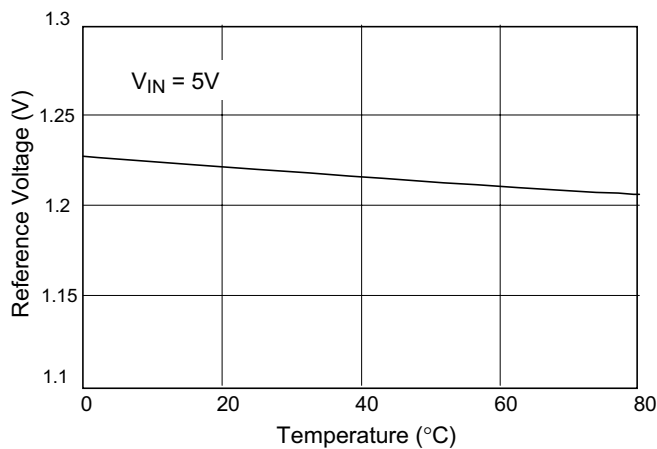
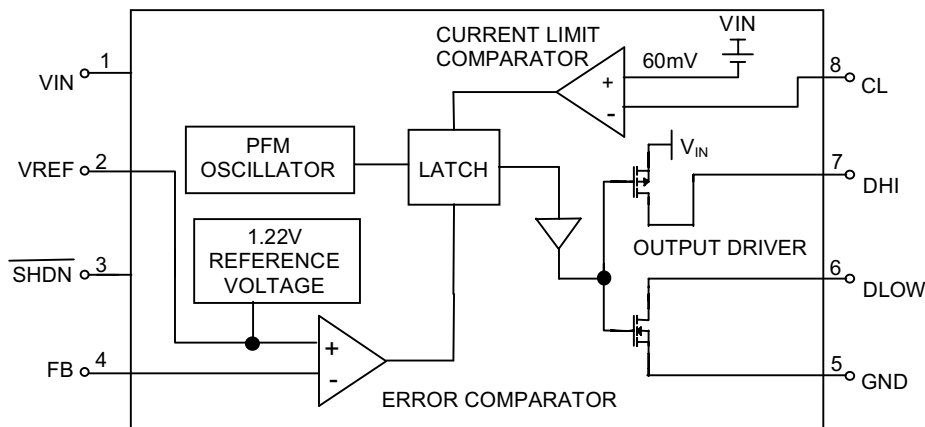


Fig. 5 Reference Voltage vs. Temperature

■ BLOCK DIAGRAM



■ PIN DESCRIPTIONS

PIN 1: VIN - Input supply voltage is from 4V to 20V.

PIN 2: VREF - Reference output is 1.22V. Bypass with a 0.047 μ F capacitor to GND. Sourcing capability is guaranteed to be greater than 250 μ A.

PIN 3: $\overline{\text{SHDN}}$ - Logical input to shutdown the chip.
 >1.5V = normal operation,
 GND = Shutdown,
 Can not be floating or forced greater than 15V. In shutdown mode DLOW and DHI pins are at low level.

PIN 4: FB - Feedback signal input to sense VREF. Connecting a resistor R1 to V_{OUT} and a resistor R2 to GND yields the output voltage:

$$V_{\text{OUT}} = (R1+R2)/R2 \times V_{\text{REF}}$$

(Refer to typical application circuit)

PIN 5: GND - Power ground.

PIN 6: DLOW- Connected to gate of the external N-channel MOSFET or base of the NPN bipolar transistor.

PIN 7: DHI - Driver sourcing output. Connected to DLOW when using an external N-channel MOSFET. When using an external NPN bipolar transistor, connect a base resistor RB from this pin to DLOW. RB value depends on V_{IN}, inductor and NPN current gain.

PIN 8: CL - Current-limit input. Threshold voltage is 60mV from V_{IN}. This pin clamps the switch peak current to prevent over-current damage to the external switch, under abnormal conditions.

APPLICATION EXAMPLES

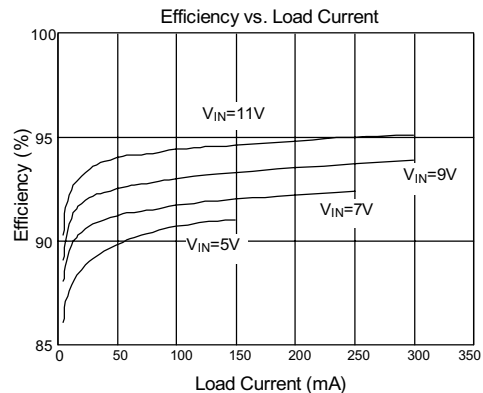
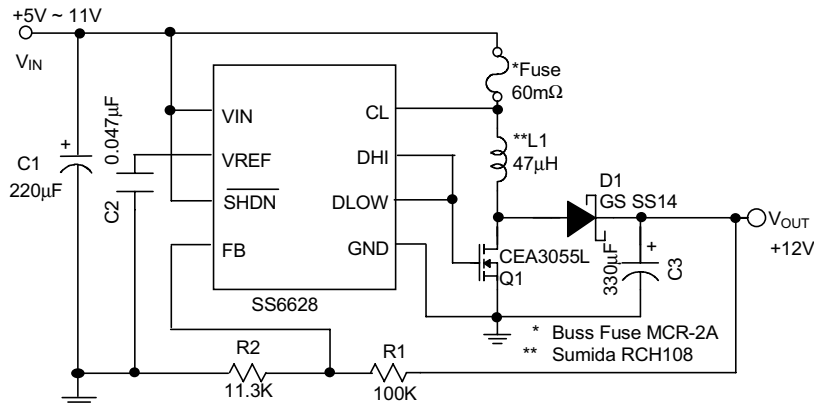


Fig. 6 Flash memory programming supply

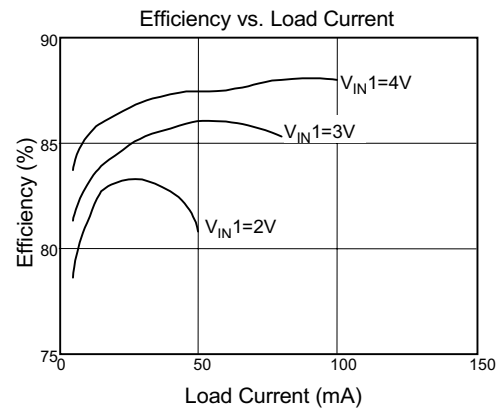
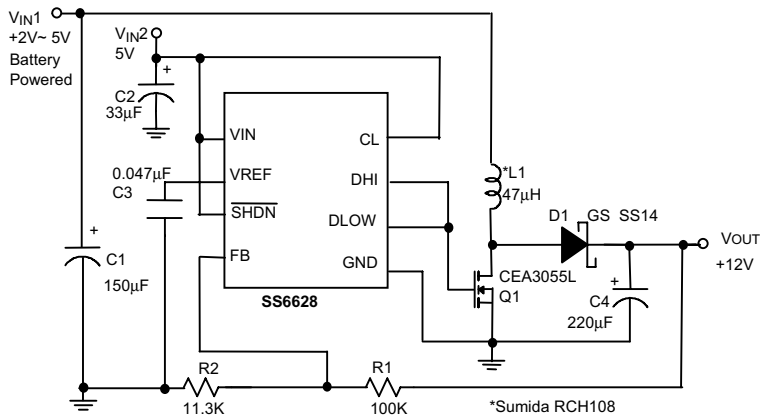


Fig. 7 2-cells to +12V Flash memory programmer

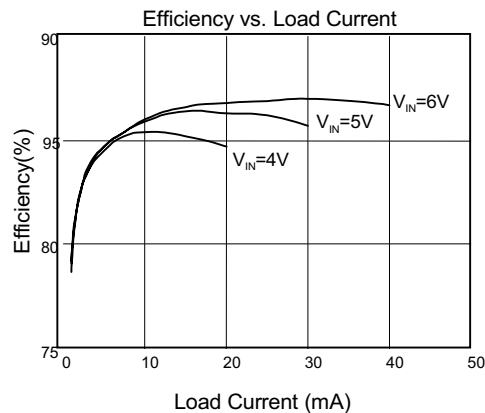
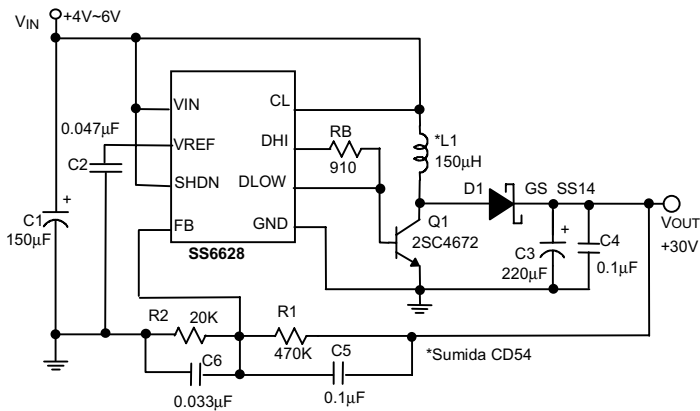


Fig. 8 4-cells to +30V power supply

APPLICATION EXAMPLES (Continued)

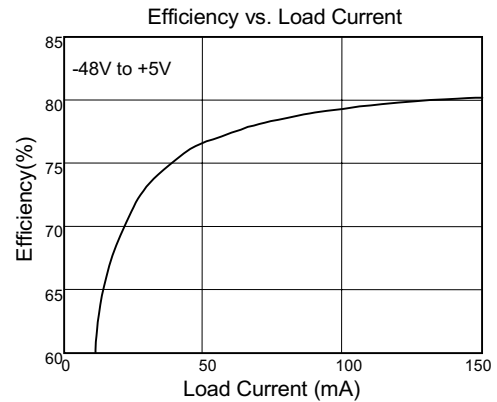
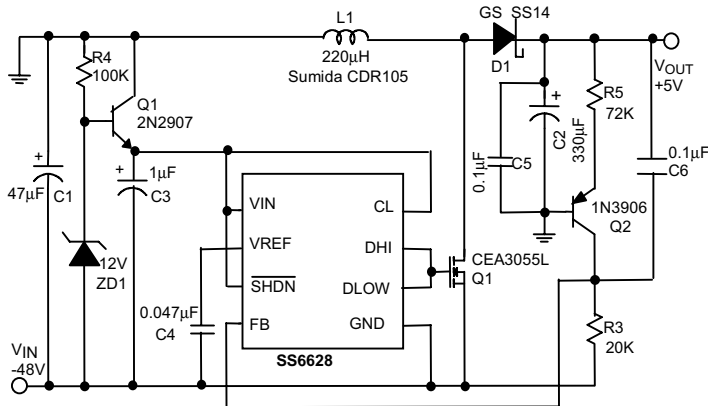


Fig. 9 Telecom +5V supply

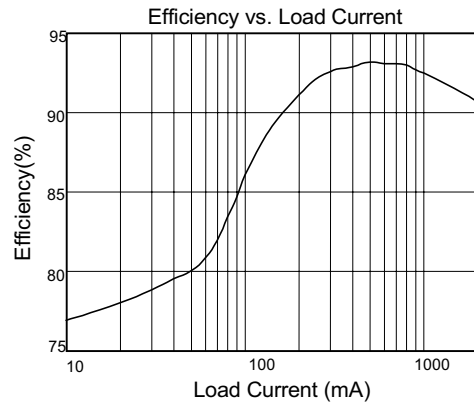
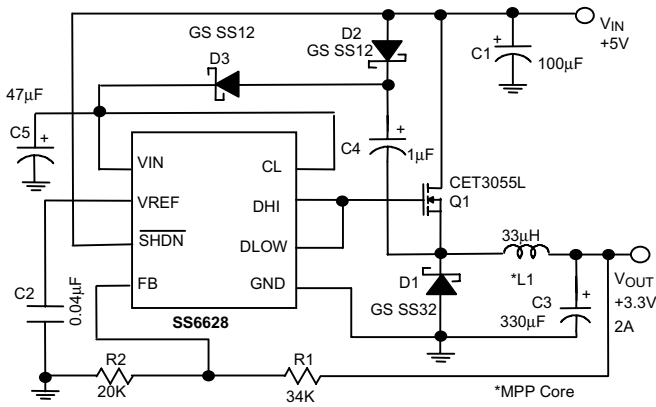
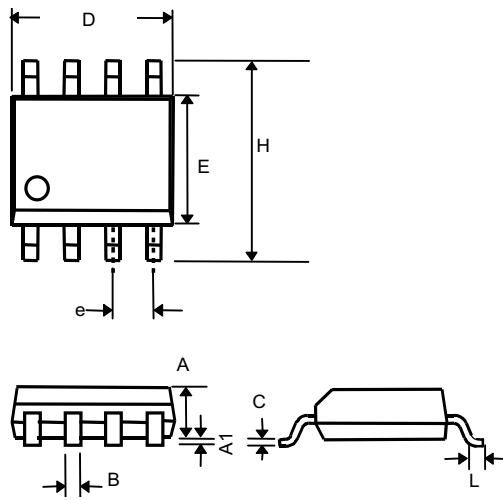


Fig. 10 5V to 3.3V step-down converter

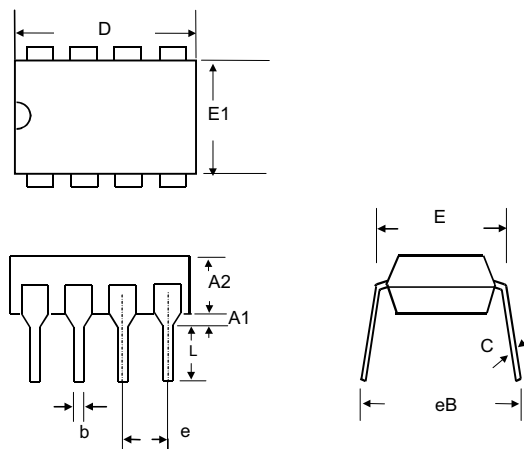
■ PHYSICAL DIMENSIONS

● 8 LEAD PLASTIC SO (unit: mm)



SYMBOL	MIN	MAX
A	1.35	1.75
A1	0.10	0.25
B	0.33	0.51
C	0.19	0.25
D	4.80	5.00
E	3.80	4.00
e	1.27(TYP)	
H	5.80	6.20
L	0.40	1.27

● 8 LEAD PLASTIC DIP (unit: mm)



SYMBOL	MIN	MAX
A1	0.381	—
A2	2.92	4.96
b	0.35	0.56
C	0.20	0.36
D	9.01	10.16
E	7.62	8.26
E1	6.09	7.12
e	2.54 (TYP)	
eB	—	10.92
L	2.92	3.81

Information furnished by Silicon Standard Corporation is believed to be accurate and reliable. However, Silicon Standard Corporation makes no guarantee or warranty, express or implied, as to the reliability, accuracy, timeliness or completeness of such information and assumes no responsibility for its use, or for infringement of any patent or other intellectual property rights of third parties that may result from its use. Silicon Standard reserves the right to make changes as it deems necessary to any products described herein for any reason, including without limitation enhancement in reliability, functionality or design. No license is granted, whether expressly or by implication, in relation to the use of any products described herein or to the use of any information provided herein, under any patent or other intellectual property rights of Silicon Standard Corporation or any third parties.