



Solid State Devices, Inc.

14701 Firestone Blvd * La Mirada, CA 90638
 Phone: (562) 404-4474 * Fax: (562) 404-1773
 ssdi@ssdi-power.com * www.ssdi-power.com

**SSR1505CTG thru SSR1507CTG
 and
 SSR1505CTS.5 thru SSR1507CTS.5**

**15 AMP
 CENTERTAP SCHOTTKY RECTIFIER
 50 - 70 VOLTS**

Designer's Data Sheet

Part Number / Ordering Information^{1/}

SSR15

Screening^{2/} = Not Screened
 TX = TX Level
 TXV = TXV Level
 S = S Level

Package G = Cerpack
 S.5 = SMD.5

Configuration CT = Centertap

Voltage 05 = 50 V
 06 = 60 V
 07 = 70 V

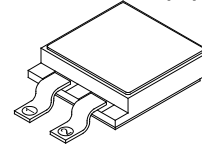
- FEATURES:**
- Extremely low forward voltage drop
 - Low reverse leakage
 - Hermetically sealed custom surface mount package
 - Guard ring for overvoltage protection
 - Eutectic die attach
 - 175°C operating junction temperature
 - TX, TXV, and S level screening available - consult factory

MAXIMUM RATINGS^{3/}		Symbol	Value	Units
Peak Repetitive Reverse and DC Blocking Voltage	SSR1505CT	V_{RRM}	50	Volts
	SSR1506CT	V_{RWM}	60	
	SSR1507CT	V_R	70	
Average Rectified Forward Current (Resistive load, 60 Hz, sine wave, $T_A = 25^\circ\text{C}$) ^{4/}		I_O	15	Amps
Peak Surge Current (8.3 ms pulse, half sine wave superimposed on I_O , allow junction to reach equilibrium between pulses, $T_A = 25^\circ\text{C}$)		I_{FSM}	100	Amps
Operating & Storage Temperature		$T_{OP} \ \& \ T_{stg}$	-65 to +175	°C
Maximum Thermal Resistance (Junction to Case) ^{4/}	Cerpack	$R_{\theta JC}$	1.6	°C/W
	SMD.5		1.6	

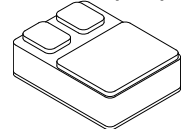
NOTES:

- 1/ For ordering information, price, and availability - contact factory.
- 2/ Screening based on MIL-PRF-19500. Screening flows available on request.
- 3/ Unless otherwise specified, all electrical characteristics @25°C.
- 4/ Both legs together.

CERPACK (G)



SMD.5 (S.5)





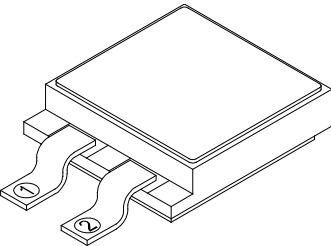
Solid State Devices, Inc.

14701 Firestone Blvd * La Mirada, CA 90638
 Phone: (562) 404-4474 * Fax: (562) 404-1773
 ssdi@ssdi-power.com * www.ssdi-power.com

**SSR1505CTG thru SSR1507CTG
 and
 SSR1505CTS.5 thru SSR1507CTS.5**

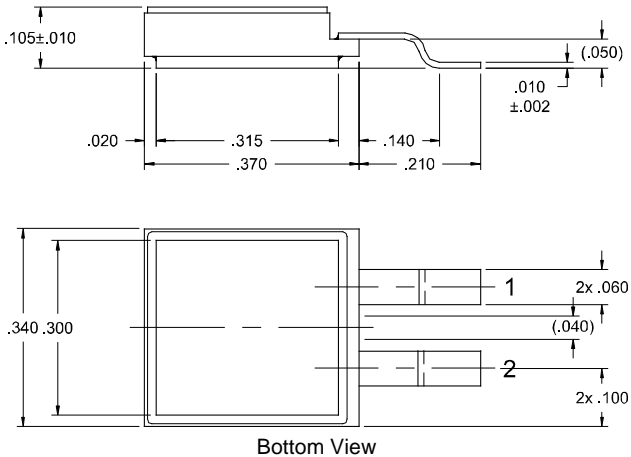
ELECTRICAL CHARACTERISTICS (per leg) ^{3/}	Symbol	Min	Typ	Max	Units	
Instantaneous Forward Voltage Drop (T _A =25°C, 300μsec pulse)	I _F = 1 A	V _{F1}	—	0.38	0.43	V _{DC}
	I _F = 5 A	V _{F2}	—	0.51	0.58	
	I _F = 10 A	V _{F3}	—	0.62	0.70	
Instantaneous Forward Voltage Drop (T _A =-55°C, 300μsec pulse)	I _F = 1 A	V _{F4}	—	0.46	0.50	V _{DC}
	I _F = 5 A	V _{F5}	—	0.54	0.62	
	I _F = 10 A	V _{F6}	—	0.61	—	
Instantaneous Forward Voltage Drop (T _A =125°C, 300μsec pulse)	I _F = 1 A	V _{F7}	—	0.26	0.35	V _{DC}
	I _F = 5 A	V _{F8}	—	0.45	0.53	
	I _F = 10 A	V _{F9}	—	0.53	—	
Reverse Leakage Current (Rated V _R , T _A = 25°C, 300μsec pulse minimum)		I _{R1}	—	25	100	μA
Reverse Leakage Current (Rated V _R , T _A = 100°C, 300μsec pulse minimum)		I _{R2}	—	4	—	mA
Reverse Leakage Current (Rated V _R , T _A = 125°C, 300μsec pulse minimum)		I _{R3}	—	15	25	mA
Junction Capacitance (V _R = 10V, f = 1MHz, T _A = 25°C)		C _J	—	—	300	pF

Package Outline: CERPACK



PIN OUT:
 PIN 1: ANODE 1
 PIN 2: ANODE 2
 TAB: CATHODE

Note: For optimal performance, connect anode terminals together.



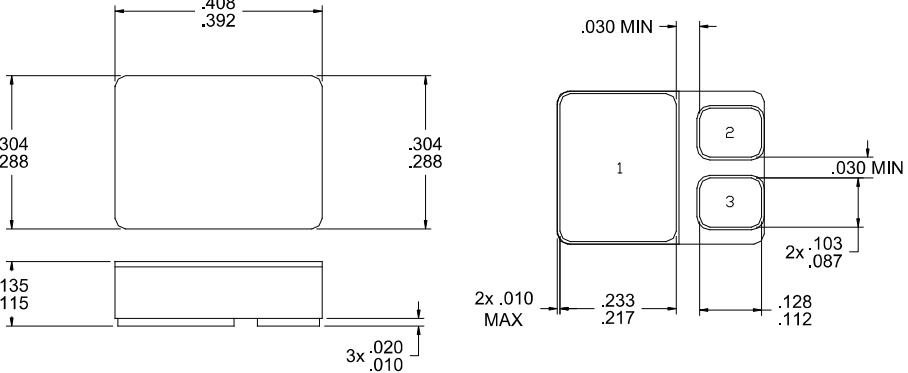
Top View Dimensions: .105±.010, .020, .315, .370, .140, .210, .010±.002, (.050)

Bottom View Dimensions: .340, .300, 1, 2x.060, (.040), 2x.100

Package Outline: SMD.5

PIN OUT:
 PIN 1: ANODE 1
 PIN 2: ANODE 2
 TAB: CATHODE

Note: For optimal performance, connect anode terminals together.



Top View Dimensions: .408, .392, .304, .288, .304, .288

Side View Dimensions: .135, .115, 3x.020, .030 MIN, 2x.103, .087, .128, .112, 2x.010 MAX, .233, .217