

# 16 Mbit (x8/x16) Concurrent SuperFlash

## SST36VF1601G / SST36VF1602G



Data Sheet

### FEATURES:

- **Organized as 1M x16 or 2M x8**
- **Dual Bank Architecture for Concurrent Read/Write Operation**
  - 16 Mbit Bottom Sector Protection
    - SST36VF1601G: 4 Mbit + 12 Mbit
    - SST36VF1602G: 12 Mbit + 4 Mbit
- **Single 2.7-3.6V for Read and Write Operations**
- **Superior Reliability**
  - Endurance: 100,000 cycles (typical)
  - Greater than 100 years Data Retention
- **Low Power Consumption:**
  - Active Current: 6 mA typical
  - Standby Current: 4  $\mu$ A typical
  - Auto Low Power Mode: 4  $\mu$ A typical
- **Hardware Sector Protection/WP# Input Pin**
  - Protects the 4 outermost sectors (8 KWord) in the smaller bank by driving WP# low and unprotects by driving WP# high
- **Hardware Reset Pin (RST#)**
  - Resets the internal state machine to reading array data
- **Byte# Pin**
  - Selects 8-bit or 16-bit mode
- **Sector-Erase Capability**
  - Uniform 2 KWord sectors
- **Chip-Erase Capability**
- **Block-Erase Capability**
  - Uniform 32 KWord blocks
- **Erase-Suspend / Erase-Resume Capabilities**
- **Security ID Feature**
  - SST: 128 bits
  - User: 256 Byte
- **Fast Read Access Time**
  - 70 ns
- **Latched Address and Data**
- **Fast Erase and Program (typical):**
  - Sector-Erase Time: 18 ms
  - Block-Erase Time: 18 ms
  - Chip-Erase Time: 35 ms
  - Program Time: 7  $\mu$ s
- **Automatic Write Timing**
  - Internal V<sub>PP</sub> Generation
- **End-of-Write Detection**
  - Toggle Bit
  - Data# Polling
  - Ready/Busy# pin
- **CMOS I/O Compatibility**
- **Conforms to Common Flash Memory Interface (CFI)**
- **JEDEC Standards**
  - Flash EEPROM Pinouts and command sets
- **Packages Available**
  - 48-ball TFBGA (6mm x 8mm)
  - 48-lead TSOP (12mm x 20mm)
  - 56-ball LFBGA (8mm x 10mm)
- **All non-Pb (lead-free) devices are RoHS compliant**

### PRODUCT DESCRIPTION

The SST36VF1601G and SST36VF1602G are 1M x16 or 2M x8 CMOS Concurrent Read/Write Flash Memory manufactured with SST proprietary, high performance CMOS SuperFlash memory technology. The split-gate cell design and thick oxide tunneling injector attain better reliability and manufacturability compared with alternate approaches. The devices write (Program or Erase) with a 2.7-3.6V power supply and conform to JEDEC standard pinouts for x8/x16 memories.

Featuring high performance Program, the SST36VF160xG provide a typical Program time of 7  $\mu$ sec and use Toggle Bit, Data# Polling, or RY/BY# to detect the completion of the Program or Erase operation. To protect against inadvertent write, the devices have on-chip hardware and Software Data Protection schemes. Designed, manufactured,

and tested for a wide spectrum of applications, these devices are offered with a guaranteed endurance of 10,000 cycles. Data retention is rated at greater than 100 years.

These devices are suited for applications that require convenient and economical updating of program, configuration, or data memory. For all system applications, the SST36VF160xG significantly improve performance and reliability, while lowering power consumption. These devices inherently use less energy during Erase and Program than alternative flash technologies, because the total energy consumed is a function of the applied voltage, current, and time of application. For any given voltage range, the SuperFlash technology uses less current to program and has a shorter erase time; therefore, the total energy consumed during any Erase or Program operation is less than alternative flash technologies.



# 16 Mbit Concurrent SuperFlash SST36VF1601G / SST36VF1602G

## Data Sheet

SuperFlash technology provides fixed Erase and Program times, independent of the number of Erase/Program cycles that have occurred. Therefore the system software or hardware does not have to be modified or de-rated as is necessary with alternative flash technologies, whose Erase and Program times increase with accumulated Erase/Program cycles.

To meet high-density, surface-mount requirements, the SST36VF1601G and SST36VF1602G devices are offered in 48-ball TFBGA, 48-lead TSOP, and 56-ball LFBGA packages. See Figures 6, 7, and 8 for pin assignments.

### Device Operation

Memory operation functions are initiated using standard microprocessor write sequences. A command is written by asserting WE# low while keeping CE# low. The address bus is latched on the falling edge of WE# or CE#, whichever occurs last. The data bus is latched on the rising edge of WE# or CE#, whichever occurs first.

### Auto Low Power Mode

These devices also have the **Auto Lower Power** mode which puts them in a near-standby mode within 500 ns after data has been accessed with a valid Read operation. This reduces the typical I<sub>DD</sub> active Read current to 4 µA. While CE# is low, the devices exit Auto Low Power mode with any address transition or control signal transition used to initiate another Read cycle, with no access time penalty.

### Concurrent Read/Write Operation

The dual bank architecture of these devices allows the Concurrent Read/Write operation whereby the user can read from one bank while programming or erasing in the other bank. For example, reading system code in one bank while updating data in the other bank. See Table 1 below for more information.

**TABLE 1: Concurrent Read/Write State**

Bank 1	Bank 2
Read	No Operation
Read	Write
Write	Read
Write	No Operation
No Operation	Read
No Operation	Write

**Note:** For the purposes of this table, write means to perform Block- or Sector-Erase or Program operations as applicable to the appropriate bank.

The Read operation of the SST36VF160xG is controlled by CE# and OE#, both of which have to be low for the system to obtain data from the outputs. CE# is used for device selection. When CE# is high, the chip is deselected and only standby power is consumed. OE# is the output control and is used to gate data from the output pins. The data bus is in a high impedance state when either CE# or OE# is high. Refer to Figure 9, the Read cycle timing diagram, for further details.

### Program Operation

These devices are programmed on a word-by-word or byte-by-byte basis depending on the state of the BYTE# pin. Before programming, ensure that the sector which is being programmed is fully erased.

The Program operation is accomplished in three steps:

1. Initiate Software Data Protection using the three-byte load sequence.
2. Load address and data.

During the Program operation, the addresses are latched on the falling edge of either CE# or WE#, whichever occurs last. The data is latched on the rising edge of either CE# or WE#, whichever occurs first.

3. Initiate the internal Program operation after the rising edge of the fourth WE# or CE#, whichever occurs first. The Program operation, once initiated, will be completed typically within 7 µs.

See Figures 10 and 11 for WE# and CE# controlled Program operation timing diagrams and Figure 25 for flow-charts. During the Program operation, the only valid reads are Data# Polling and Toggle Bit. During the internal Program operation, the host is free to perform additional tasks. Any commands issued during an internal Program operation are ignored.



## Sector-Erase/Block-Erase Operation

The Sector- or Block- Erase operation allows the system to erase the device on a sector-by-sector (or block-by-block) basis. The SST36VF160xG offer both Sector-Erase and Block-Erase operations.

The sector architecture is based on a uniform sector size of 2 KWord. The Sector-Erase operation is initiated by executing a six-byte command sequence with a Sector-Erase command (50H) and sector address (SA) in the last bus cycle.

The Block-Erase mode is based on a uniform block size of 32 KWord. Block-Erase is initiated by executing a six-byte command sequence with Block-Erase command (30H) and block address (BA) in the last bus cycle. The sector or block address is latched on the falling edge of the sixth WE# pulse, while the command (50H or 30H) is latched on the rising edge of the sixth WE# pulse. The internal Erase operation begins after the sixth WE# pulse.

Any commands issued during the Sector- or Block-Erase operation are ignored except Erase-Suspend and Erase-Resume. See Figures 15 and 16 for timing waveforms.

## Chip-Erase Operation

The SST36VF1601G and SST36VF1602G provide a Chip-Erase operation, which erases the entire memory array to the '1' state. This operation is useful when the entire device must be quickly erased.

The Chip-Erase operation is initiated by executing a six-byte command sequence with Chip-Erase command (10H) at address 555H in the last byte sequence. The Erase operation begins with the rising edge of the sixth WE# or CE#, whichever occurs first. During the Erase operation, the only valid Read is Toggle Bit or Data# Polling. Any commands issued during the Chip-Erase operation are ignored. See Table 6 for the command sequence, Figure 14 for timing diagram, and Figure 29 for the flowchart. When WP# is low, any attempt to Chip-Erase will be ignored.

## Erase-Suspend/Erase-Resume Operations

The Erase-Suspend operation temporarily suspends a Sector- or Block-Erase operation thus allowing data to be read or programmed into any sector or block that is not engaged in an Erase operation. The operation is executed by issuing a one-byte command sequence with Erase-Suspend command (B0H). The device automatically enters read mode no more than 10  $\mu$ s after the Erase-Suspend command had been issued. ( $T_{ES}$  maximum latency equals 10  $\mu$ s.) Valid data can be read from any sector or block that is not suspended from an Erase operation. Reading at address location within erase-suspended sectors/blocks will output DQ<sub>2</sub> toggling and DQ<sub>6</sub> at '1'. While in Erase-Suspend mode, a Program operation is allowed except for the sector or block selected for Erase-Suspend.

To resume a suspended Sector-Erase or Block-Erase operation, the system must issue an Erase-Resume command. The operation is executed by issuing a one-byte command sequence with Erase Resume command (30H) at any address in the one-byte sequence.

## Write Operation Status Detection

To optimize the system Write cycle time, the SST36VF160xG provide two software means to detect the completion of a Write (Program or Erase) cycle. The software detection includes two status bits: Data# Polling (DQ<sub>7</sub>) and Toggle Bit (DQ<sub>6</sub>). The End-of-Write detection mode is enabled after the rising edge of WE#, which initiates the internal Program or Erase operation.

The actual completion of the nonvolatile write is asynchronous with the system. Therefore, Data# Polling or Toggle Bit maybe be read concurrent with the completion of the write cycle. If this occurs, the system may possibly get an incorrect result from the status detection process. For example, valid data may appear to conflict with either DQ<sub>7</sub> or DQ<sub>6</sub>. To prevent false results, upon detection of failures, the software routine should loop to read the accessed location an additional two times. If both reads are valid, then the device has completed the Write cycle, otherwise the failure is valid.



### Ready/Busy# (RY/BY#)

The SST36VF160xG include a Ready/Busy# (RY/BY#) output signal. RY/BY# is an open drain output pin that indicates whether an Erase or Program operation is in progress. Since RY/BY# is an open drain output, it allows several devices to be tied in parallel to V<sub>DD</sub> via an external pull-up resistor. After the rising edge of the final WE# pulse in the command sequence, the RY/BY# status is valid.

When RY/BY# is actively pulled low, it indicates that an Erase or Program operation is in progress. When RY/BY# is high (Ready), the devices may be read or left in standby mode.

### Byte/Word (BYTE#)

The device includes a BYTE# pin to control whether the device data I/O pins operate x8 or x16. If the BYTE# pin is at logic "1" (V<sub>IH</sub>) the device is in x16 data configuration: all data I/O pins DQ<sub>0</sub>-DQ<sub>15</sub> are active and controlled by CE# and OE#.

If the BYTE# pin is at logic '0', the device is in x8 data configuration -- only data I/O pins DQ<sub>0</sub>-DQ<sub>7</sub> are active and controlled by CE# and OE#. The remaining data pins DQ<sub>8</sub>-DQ<sub>14</sub> are at Hi-Z, while pin DQ<sub>15</sub> is used as the address input A<sub>-1</sub> for the Least Significant Bit of the address bus.

### Data# Polling (DQ<sub>7</sub>)

When the SST36VF160xG are in an internal Program operation, any attempt to read DQ<sub>7</sub> will produce the complement of true data. Once the Program operation is completed, DQ<sub>7</sub> will produce valid data.

During internal Erase operation, any attempt to read DQ<sub>7</sub> will produce a '0'. Once the internal Erase operation is completed, DQ<sub>7</sub> will produce a '1'. The Data# Polling is valid after the rising edge of fourth WE# (or CE#) pulse for Program operation. For Sector-, Block-, or Chip-Erase, the Data# Polling is valid after the rising edge of sixth WE# (or CE#) pulse. See Figure 12 for Data# Polling (DQ<sub>7</sub>) timing diagram and Figure 26 for a flowchart.

### Toggle Bits (DQ<sub>6</sub> and DQ<sub>2</sub>)

During the internal Program or Erase operation, any consecutive attempts to read DQ<sub>6</sub> will produce alternating '1's and '0's, i.e., toggling between '1' and '0'. When the internal Program or Erase operation is completed, the DQ<sub>6</sub> bit will stop toggling, and the device is then ready for the next operation. For Sector-, Block-, or Chip-Erase, the toggle bit (DQ<sub>6</sub>) is valid after the rising edge of sixth WE# (or CE#) pulse. DQ<sub>6</sub> will be set to '1' if a Read operation is attempted on an Erase-Suspended Sector or Block. If Program operation is initiated in a sector/block not selected in Erase-Suspend mode, DQ<sub>6</sub> will toggle.

An additional Toggle Bit is available on DQ<sub>2</sub>, which can be used in conjunction with DQ<sub>6</sub> to check whether a particular sector or block is being actively erased or erase-suspended. Table 2 shows detailed bit status information. The Toggle Bit (DQ<sub>2</sub>) is valid after the rising edge of the last WE# (or CE#) pulse of Write operation. See Figure 13 for Toggle Bit timing diagram and Figure 26 for a flowchart.

**TABLE 2: Write Operation Status**

Status		DQ <sub>7</sub>	DQ <sub>6</sub>	DQ <sub>2</sub>	RY/BY#
Normal Operation	Standard Program	DQ <sub>7</sub> #	Toggle	No Toggle	0
	Standard Erase	0	Toggle	Toggle	0
Erase-Suspend Mode	Read From Erase Suspended Sector/Block	1	1	Toggle	1
	Read From Non-Erase Suspended Sector/Block	Data	Data	Data	1
	Program	DQ <sub>7</sub> #	Toggle	N/A	0

T2.1 1342

**Note:** DQ<sub>7</sub>, DQ<sub>6</sub>, and DQ<sub>2</sub> require a valid address when reading status information. The address must be in the bank where the operation is in progress in order to read the operation status. If the address is pointing to a different bank (not busy), the device will output array data.



# 16 Mbit Concurrent SuperFlash SST36VF1601G / SST36VF1602G

Data Sheet

## Data Protection

The SST36VF160xG provide both hardware and software features to protect nonvolatile data from inadvertent writes.

### Hardware Data Protection

**Noise/Glitch Protection:** A WE# or CE# pulse of less than 5 ns will not initiate a Write cycle.

**V<sub>DD</sub> Power Up/Down Detection:** The Write operation is inhibited when V<sub>DD</sub> is less than 1.5V.

**Write Inhibit Mode:** Forcing OE# low, CE# high, or WE# high will inhibit the Write operation. This prevents inadvertent writes during power-up or power-down.

### Hardware Block Protection

The SST36VF1601G and SST36VF1602G provide hardware block protection which protects the outermost 8 KWord in the smaller bank. The block is protected when WP# is held low. See Figures 2, 3, 4, and 5 for Block-Protection location.

Block protection is disabled by driving WP# high. This allows data to be erased or programmed into the protected sectors. WP# must be held high prior to issuing the Write command and remain stable until after the entire Write operation has completed. If WP# is left floating, it is internally held high via a pull-up resistor, and the Boot Block is unprotected, enabling Program and Erase operations on that block.

### Hardware Reset (RST#)

The RST# pin provides a hardware method of resetting the devices to read array data. When the RST# pin is held low for at least T<sub>RP</sub>, any in-progress operation will terminate and return to Read mode (see). When no internal Program/Erase operation is in progress, a minimum period of T<sub>RHR</sub> is required after RST# is driven high before a valid Read can take place. See Figures 22 and 21 for more information.

The interrupted Erase or Program operation must be re-initiated after the device resumes normal operation mode to ensure data integrity.

### Software Data Protection (SDP)

The SST36VF160xG devices implement the JEDEC approved Software Data Protection (SDP) scheme for all data alteration operations, such as Program and Erase. These devices are shipped with the Software Data Protection permanently enabled. See Table 6 for the specific software command codes.

All Program operations require the inclusion of the three-byte sequence. The three-byte load sequence is used to initiate the Program operation, providing optimal protection from inadvertent Write operations. SDP for Erase operations is similar to Program, but a six-byte load sequence is required for Erase operations.

During SDP command sequence, invalid commands will abort the device to read mode within T<sub>RC</sub>. The contents of DQ<sub>15</sub>-DQ<sub>8</sub> can be V<sub>IL</sub> or V<sub>IH</sub>, but no other value, during any SDP command sequence.

## Common Flash Memory Interface (CFI)

These devices contain Common Flash Memory Interface (CFI) information that describes the characteristics of the device. In order to enter the CFI Query mode, the system must write a three-byte sequence, using the CFI Query command, to address BKx555H in the last byte sequence. The system can also use the one-byte sequence with address BKx55H and Data Bus 98H to enter this mode. See Figure 18 for CFI Entry and Read timing diagram. Once the device enters the CFI Query mode, the system can read CFI data at the addresses given in Tables 7 through 9.

The system must write the CFI Exit command to return to Read mode from the CFI Query mode.

## Security ID

The SST36VF160xG offer a 136-word Security ID space. The Secure ID space is divided into two segments — one 128-bit, factory-programmed, segment and one 256-Byte, user programmed segment. The first segment is programmed and locked at SST and contains a 128 bit Unique ID which uniquely identifies the device. The user segment is left un-programmed for the customer to program as desired.

The user segment of the Security ID can be programmed using the Security ID Program command. End-of-Write status is checked by reading the toggle bits. Data# Polling is not used for Security ID End-of-Write detection.

Once the programming is complete, lock the Sec ID by issuing the User Sec ID Program Lock-Out command. Locking the Sec ID disables any corruption of this space. Note that regardless of whether or not the Sec ID is locked, the Sec ID segments can not be erased.

The Secure ID space can be queried by executing a three-byte command sequence with Query Sec ID command (88H) at address 555H in the last byte sequence. See Figure 20 for timing diagram. To exit this mode, the Exit Sec ID command should be executed. Refer to Table 6 for more details.



**Product Identification**

The Product Identification mode identifies the devices as SST36VF1601G or SST36VF1602G and the manufacturer as SST. For details, see Table 3 for software operation, Figure 17 for the Software ID Entry and Read timing diagram, and Figure 27 for the Software ID Entry command sequence flowchart.

The addresses  $A_{19}$  and  $A_{18}$  indicate a bank address. When the addressed bank is switched to Product Identification mode, it is possible to read another address from the same bank without issuing a new Software ID Entry command.

**Product Identification Mode Exit/CFI Mode Exit**

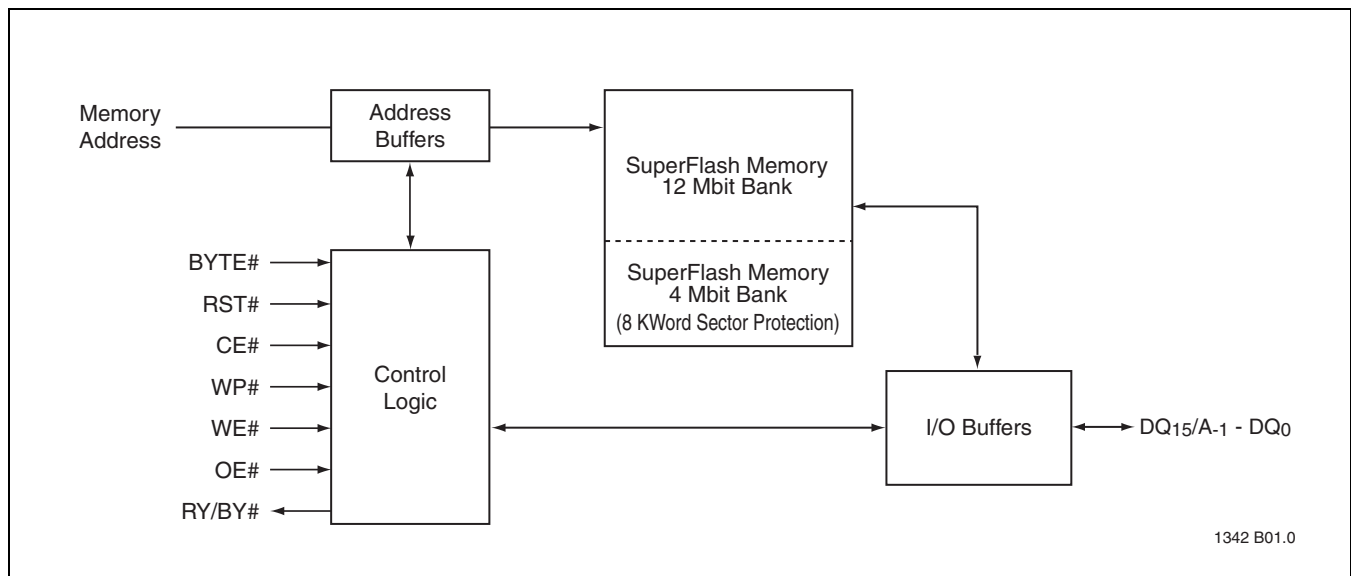
In order to return to the standard Read mode, the Software Product Identification mode must be exited. The exit is accomplished by issuing the Software ID Exit command sequence, which returns the device to the Read mode. This command may also be used to reset the device to the Read mode after any inadvertent transient condition that causes the device to behave abnormally. Please note that the Software ID Exit/CFI Exit command is ignored during an internal Program or Erase operation. See Table 6 for the software command code, Figure 19 for timing waveform and Figure 28 for a flowchart.

**TABLE 3: Product Identification**

	Address	Data
Manufacturer's ID	BK0000H	00BFH
Device ID		
SST36VF1601G	BK0001H	7343H
SST36VF1602G	BK0001H	7344H

T3.0 1342

**Note:** BK = Bank Address ( $A_{19}$ - $A_{18}$ )



1342 B01.0

**FIGURE 1: Functional Block Diagram**



Bottom Sector Protection; 32 KWord Blocks; 2 KWord Sectors

FFFFFH F8000H	Block 31	Bank 2
F7FFFH F0000H	Block 30	
EFFFFH E8000H	Block 29	
E7FFFH E0000H	Block 28	
DFFFFH D8000H	Block 27	
D7FFFH D0000H	Block 26	
CFFFFH C8000H	Block 25	
C7FFFH C0000H	Block 24	
BFFFFH B8000H	Block 23	
B7FFFH B0000H	Block 22	
AFFFFH A8000H	Block 21	
A7FFFH A0000H	Block 20	
9FFFFH 98000H	Block 19	
97FFFH 90000H	Block 18	
8FFFFH 88000H	Block 17	
87FFFH 80000H	Block 16	
7FFFFH 78000H	Block 15	
77FFFH 70000H	Block 14	
6FFFFH 68000H	Block 13	
67FFFH 60000H	Block 12	
5FFFFH 58000H	Block 11	
57FFFH 50000H	Block 10	
4FFFFH 48000H	Block 9	
47FFFH 40000H	Block 8	
3FFFFH 38000H	Block 7	
37FFFH 30000H	Block 6	
2FFFFH 28000H	Block 5	
27FFFH 20000H	Block 4	
1FFFFH 18000H	Block 3	
17FFFH 10000H	Block 2	
0FFFFH 08000H	Block 1	
07FFFH 02000H	Block 0	
01FFFH 00000H		

8 KWord Sector Protection  
(4-2 KWord Sectors)

1342 F01.0

Note: The address input range in x16 mode (BYTE#=V<sub>IH</sub>) is A<sub>19</sub>-A<sub>0</sub>

FIGURE 2: SST36VF1601G, 1M x16 Concurrent SuperFlash Dual-Bank Memory Organization



Bottom Sector Protection; 64 KByte Blocks; 4 KByte Sectors

1FFFFFFH 1F0000H	Block 31	Bank 2	
1EFFFFFFH 1E0000H	Block 30		
1DFFFFFFH 1D0000H	Block 29		
1CFFFFFFH 1C0000H	Block 28		
1BFFFFFFH 1B0000H	Block 27		
1AFFFFFFH 1A0000H	Block 26		
19FFFFFFH 190000H	Block 25		
18FFFFFFH 180000H	Block 24		
17FFFFFFH 170000H	Block 23		
16FFFFFFH 160000H	Block 22		
15FFFFFFH 150000H	Block 21		
14FFFFFFH 140000H	Block 20		
13FFFFFFH 130000H	Block 19		
12FFFFFFH 120000H	Block 18		
11FFFFFFH 110000H	Block 17		
10FFFFFFH 100000H	Block 16		
0FFFFFFFH 0F0000H	Block 15		
0EFFFFFFH 0E0000H	Block 14		
0DFFFFFFH 0D0000H	Block 13		
0CFFFFFFH 0C0000H	Block 12		
0BFFFFFFH 0B0000H	Block 11		
0AFFFFFFH 0A0000H	Block 10		
09FFFFFFH 090000H	Block 9		
08FFFFFFH 080000H	Block 8		
07FFFFFFH 070000H	Block 7		Bank 1
06FFFFFFH 060000H	Block 6		
05FFFFFFH 050000H	Block 5		
04FFFFFFH 040000H	Block 4		
03FFFFFFH 030000H	Block 3		
02FFFFFFH 020000H	Block 2		
01FFFFFFH 010000H	Block 1		
00FFFFFFH 004000H	Block 0		
003FFFFH			
000000H			

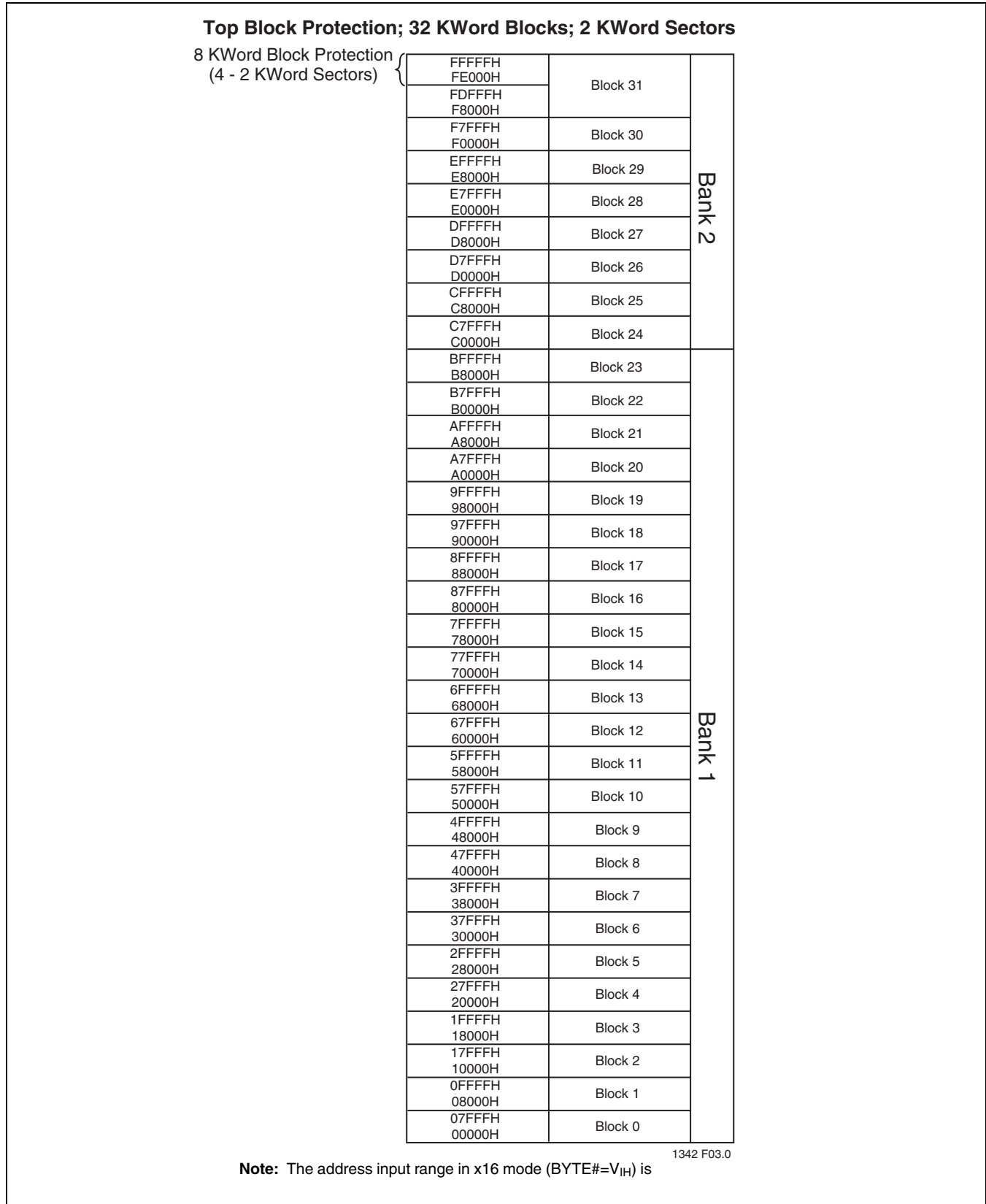
16 KByte Sector Protection  
(4-4 KByte Sectors)

1342 F02.0

Note: The address input range in x8 mode (BYTE#=V<sub>IL</sub>) is A<sub>19</sub>-A<sub>1</sub>

FIGURE 3: SST36VF1601G, 2M x8 Concurrent SuperFlash Dual-Bank Memory Organization





**FIGURE 4: SST36VF1602G, 1M x16 Concurrent SuperFlash Dual-Bank Memory Organization**



**Top Block Protection; 64 KByte Blocks; 4 KByte Sectors**

16 KByte Block Protection  
(4 - 4 KByte Sectors)

1FFFFFFH 1FC000H	Block 31	Bank 2
1BFFFFFFH 1F0000H		
1EFFFFFFH 1E0000H	Block 30	
1DFFFFFFH 1D0000H	Block 29	
1CFFFFFFH 1C0000H	Block 28	
1BFFFFFFH 1B0000H	Block 27	
1AFFFFFFH 1A0000H	Block 26	
19FFFFFFH 190000H	Block 25	
18FFFFFFH 180000H	Block 24	
17FFFFFFH 170000H	Block 23	
16FFFFFFH 160000H	Block 22	
15FFFFFFH 150000H	Block 21	
14FFFFFFH 140000H	Block 20	
13FFFFFFH 130000H	Block 19	
12FFFFFFH 120000H	Block 18	
11FFFFFFH 110000H	Block 17	
10FFFFFFH 100000H	Block 16	
0FFFFFFFH 0F0000H	Block 15	
0EFFFFFFH 0E0000H	Block 14	
0DFFFFFFH 0D0000H	Block 13	
0CFFFFFFH 0C0000H	Block 12	
0BFFFFFFH 0B0000H	Block 11	
0AFFFFFFH 0A0000H	Block 10	
09FFFFFFH 090000H	Block 9	
08FFFFFFH 080000H	Block 8	
07FFFFFFH 070000H	Block 7	
06FFFFFFH 060000H	Block 6	
05FFFFFFH 050000H	Block 5	
04FFFFFFH 040000H	Block 4	
03FFFFFFH 030000H	Block 3	
02FFFFFFH 020000H	Block 2	
01FFFFFFH 010000H	Block 1	
00FFFFFFH 000000H	Block 0	Bank 1

1342 F04.0

**Note:** The address input range in x8 mode (BYTE#=V<sub>IL</sub>) is A<sub>19</sub>-A<sub>1</sub>

**FIGURE 5: SST36VF1602G, 2M x8 Concurrent SuperFlash Dual-Bank Memory Organization**

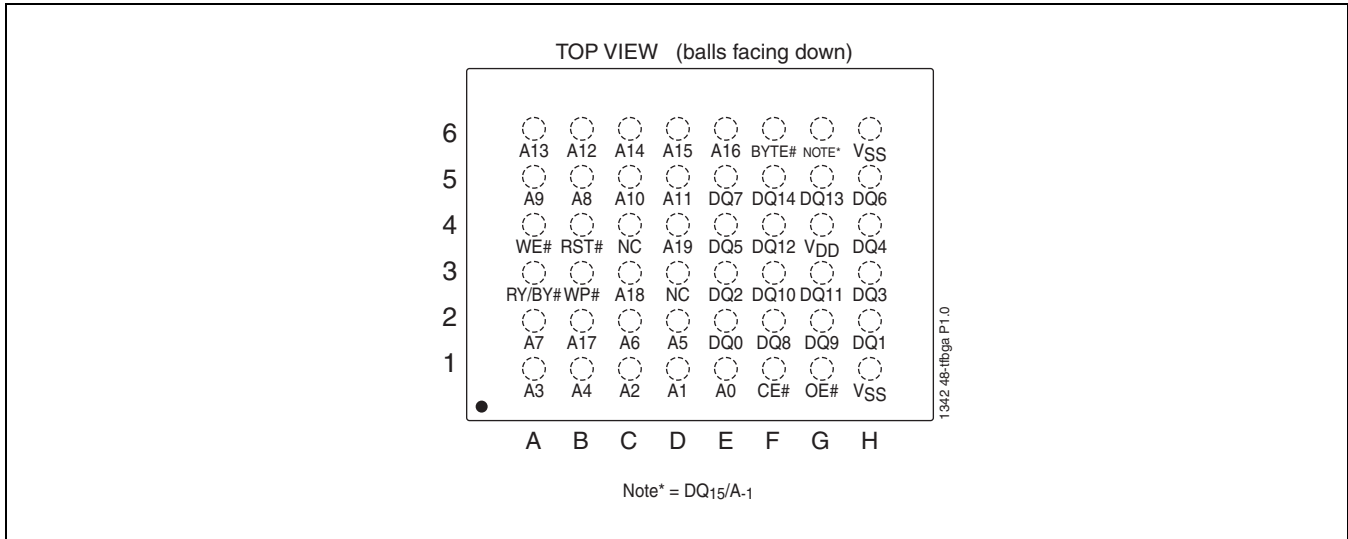


FIGURE 6: Pin Assignments for 48-ball TFBGA (6mm x 8mm)

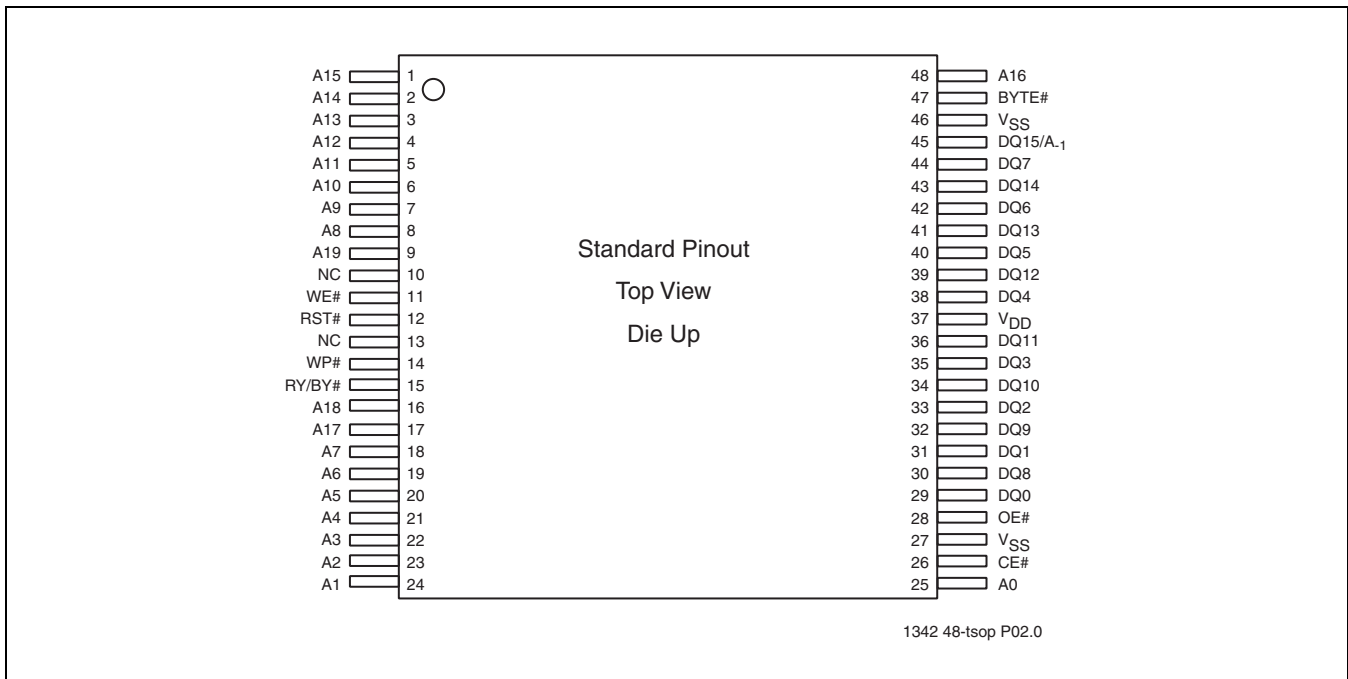
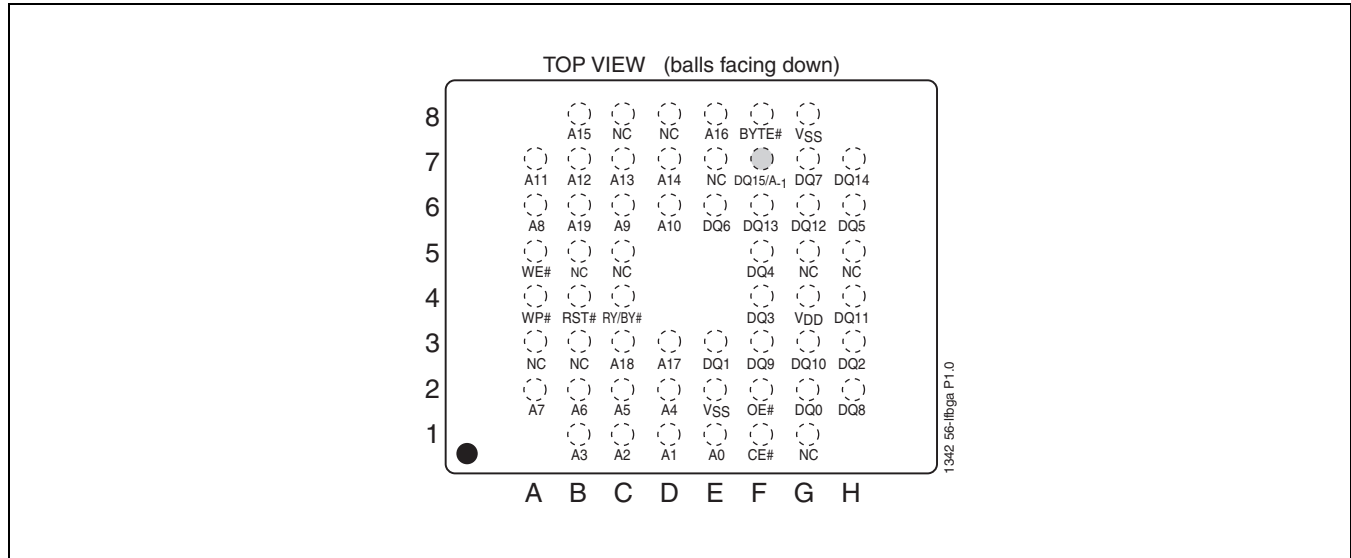


FIGURE 7: Pin Assignments for 48-lead TSOP (12mm x 20mm)



# 16 Mbit Concurrent SuperFlash SST36VF1601G / SST36VF1602G

Data Sheet



**FIGURE 8: Pin Assignments for 56-lead LFBGA (8mm x 10mm)**

**TABLE 4: Pin Description**

Symbol	Name	Functions
A <sub>19</sub> -A <sub>0</sub>	Address Inputs	To provide memory addresses. During Sector-Erase and Hardware Sector Protection, A <sub>19</sub> -A <sub>11</sub> address lines will select the sector. During Block-Erase A <sub>19</sub> -A <sub>15</sub> address lines will select the block.
DQ <sub>14</sub> -DQ <sub>0</sub>	Data Input/Output	To output data during Read cycles and receive input data during Write cycles. Data is internally latched during a Write cycle. The outputs are in tri-state when OE# or CE# is high.
DQ <sub>15</sub> /A <sub>-1</sub>	Data Input/Output and LBS Address	DQ <sub>15</sub> is used as data I/O pin when in x16 mode (BYTE# = "1") A <sub>-1</sub> is used as the LSB address pin when in x8 mode (BYTE# = "0")
CE#	Chip Enable	To activate the device when CE# is low.
OE#	Output Enable	To gate the data output buffers
WE#	Write Enable	To control the Write operations
RST#	Hardware Reset	To reset and return the device to Read mode
RY/BY#	Ready/Busy#	To output the status of a Program or Erase operation RY/BY# is an open drain output, so a 10KΩ - 100KΩ pull-up resistor is required to allow RY/BY# to transition high indicating the device is ready to read.
WP#	Write Protect	To protect and unprotect top or bottom 8 KWord (4 outermost sectors) from Erase or Program operation.
BYTE#	Word/Byte Configuration	To select 8-bit or 16-bit mode.
V <sub>DD</sub>	Power Supply	To provide 2.7-3.6V power supply voltage
V <sub>SS</sub>	Ground	
NC	No Connection	Unconnected pins

T4.0 1342

# 16 Mbit Concurrent SuperFlash SST36VF1601G / SST36VF1602G



Data Sheet

**TABLE 5: Operation Modes Selection**

Mode <sup>1</sup>	CE#	OE#	WE#	DQ <sub>7</sub> -DQ <sub>0</sub>	DQ <sub>15</sub> -DQ <sub>8</sub>		Address
					BYTE# = V <sub>IH</sub>	BYTE# = V <sub>IL</sub>	
Read	V <sub>IL</sub>	V <sub>IL</sub>	V <sub>IH</sub>	D <sub>OUT</sub>	D <sub>OUT</sub>	DQ <sub>14</sub> -DQ <sub>8</sub> = High Z	A <sub>IN</sub>
Program	V <sub>IL</sub>	V <sub>IH</sub>	V <sub>IL</sub>	D <sub>IN</sub>	D <sub>IN</sub>	DQ <sub>15</sub> = A <sub>-1</sub>	A <sub>IN</sub>
Erase	V <sub>IL</sub>	V <sub>IH</sub>	V <sub>IL</sub>	X <sup>2</sup>	X	High Z	Sector or Block address, 555H for Chip-Erase
Standby	V <sub>IHC</sub>	X	X	High Z	High Z	High Z	X
Write Inhibit	X	V <sub>IL</sub>	X	High Z / D <sub>OUT</sub>	High Z / D <sub>OUT</sub>	High Z	X
	X	X	V <sub>IH</sub>	High Z / D <sub>OUT</sub>	High Z / D <sub>OUT</sub>	High Z	X
Product Identification							
Software Mode	V <sub>IL</sub>	V <sub>IL</sub>	V <sub>IH</sub>	Manufacturer's ID (BFH)	Manufacturer's ID (00H)	High Z	See Table 6
				Device ID <sup>3</sup>	Device ID <sup>3</sup>	High Z	

T5.2 1342

1. RST# = V<sub>IH</sub> for all described operation modes
2. X can be V<sub>IL</sub> or V<sub>IH</sub>, but no other value.
3. Device ID =  
     SST36VF1601G = 7343H,  
     SST36VF1602G = 7344H



Data Sheet

TABLE 6: Software Command Sequence

Command Sequence	1st Bus Write Cycle		2nd Bus Write Cycle		3rd Bus Write Cycle		4th Bus Write Cycle		5th Bus Write Cycle		6th Bus Write Cycle	
	Addr <sup>1</sup>	Data <sup>2</sup>	Addr <sup>1</sup>	Data <sup>2</sup>	Addr <sup>1</sup>	Data <sup>2</sup>	Addr <sup>1</sup>	Data <sup>2</sup>	Addr <sup>1</sup>	Data <sup>2</sup>	Addr <sup>1</sup>	Data <sup>2</sup>
Program	555H	AAH	2AAH	55H	555H	A0H	WA <sup>3</sup>	Data				
Sector-Erase	555H	AAH	2AAH	55H	555H	80H	555H	AAH	2AAH	55H	SA <sub>X</sub> <sup>4</sup>	50H
Block-Erase	555H	AAH	2AAH	55H	555H	80H	555H	AAH	2AAH	55H	BA <sub>X</sub> <sup>4</sup>	30H
Chip-Erase	555H	AAH	2AAH	55H	555H	80H	555H	AAH	2AAH	55H	555H	10H
Erase-Suspend	XXXXH	B0H										
Erase-Resume	XXXXH	30H										
Query Sec ID <sup>5</sup>	555H	AAH	2AAH	55H	555H	88H						
User Security ID Program	555H	AAH	2AAH	55H	555H	A5H	SIWA <sup>6</sup>	Data				
User Security ID Program Lock-out <sup>7</sup>	555H	AAH	2AAH	55H	555H	85H	XXH	0000H				
Software ID Entry <sup>8</sup>	555H	AAH	2AAH	55H	BK <sub>X</sub> <sup>9</sup> 555H	90H						
CFI Query Entry	555H	AAH	2AAH	55H	BK <sub>X</sub> <sup>9</sup> 555H	98H						
CFI Query Entry	BK <sub>X</sub> <sup>9</sup> 55H	98H										
Software ID Exit/ CFI Exit/ Sec ID Exit <sup>10,11</sup>	555H	AAH	2AAH	55H	555H	F0H						
Software ID Exit/ CFI Exit/ Sec ID Exit <sup>10,11</sup>	XXH	F0H										

T6.0 1342

- Address format A<sub>10</sub>-A<sub>0</sub> (Hex), Addresses A<sub>19</sub>-A<sub>11</sub> can be V<sub>IL</sub> or V<sub>IH</sub>, but no other value, for the command sequence when in x16 mode. When in x8 mode, Addresses A<sub>19</sub>-A<sub>12</sub>, Address A<sub>1</sub> and DQ<sub>14</sub>-DQ<sub>8</sub> can be V<sub>IL</sub> or V<sub>IH</sub>, but no other value, for the command sequence.
- DQ<sub>15</sub>-DQ<sub>8</sub> can be V<sub>IL</sub> or V<sub>IH</sub>, but no other value, for the command sequence
- WA = Program word/byte address
- SA<sub>X</sub> for Sector-Erase; uses A<sub>19</sub>-A<sub>11</sub> address lines  
BA<sub>X</sub> for Block-Erase; uses A<sub>19</sub>-A<sub>15</sub> address lines
- For SST36VF1601G,  
SST ID is read with A<sub>3</sub> = 0 (Address range = 00000H to 00007H),  
User ID is read with A<sub>3</sub> = 1 (Address range = 00008H to 00087H).  
Lock Status is read with A<sub>7</sub>-A<sub>0</sub> = 000FFH. Unlocked: DQ<sub>3</sub> = 1 / Locked: DQ<sub>3</sub> = 0.  
For SST36VF1602G,  
SST ID is read with A<sub>3</sub> = 0 (Address range = C0000H to C0007H),  
User ID is read with A<sub>3</sub> = 1 (Address range = C0008H to C0087H).  
Lock Status is read with A<sub>7</sub>-A<sub>0</sub> = C00FFH. Unlocked: DQ<sub>3</sub> = 1 / Locked: DQ<sub>3</sub> = 0.
- SIWA = User Security ID Program word/byte address  
For SST36VF1601G, valid Word-Addresses for User Sec ID are from 00008H to 00087H.  
For SST36VF1602G, valid Word-Addresses for User Sec ID are from C0008H to C0087H.  
All 4 cycles of User Security ID Program and Program Lock-out must be completed before going back to Read-Array mode.
- The User Security ID Program Lock-out command must be executed in x16 mode (BYTE#=V<sub>IH</sub>).
- The device does not remain in Software Product Identification mode if powered down.
- A<sub>19</sub> and A<sub>18</sub> = BK<sub>X</sub> (Bank Address): address of the bank that is switched to Software ID/CFI Mode  
With A<sub>17</sub>-A<sub>1</sub> = 0; SST Manufacturer's ID = 00BFH, is read with A<sub>0</sub> = 0  
SST36VF1601G Device ID = 7343H, is read with A<sub>0</sub> = 1  
SST36VF1602G Device ID = 7344H, is read with A<sub>0</sub> = 1
- Both Software ID Exit operations are equivalent
- If users never lock after programming, User Sec ID can be programmed over the previously unprogrammed bits (data=1) using the User Sec ID mode again (the programmed "0" bits cannot be reversed to "1").  
For SST36VF1601G, valid Word-Addresses for User Sec ID are from 00008H to 00087H.  
For SST36VF1602G, valid Word-Addresses for User Sec ID are from C0008H to C0087H.



**TABLE 7: CFI Query Identification String<sup>1</sup>**

Address x16 Mode	Address x8 Mode	Data <sup>2</sup>	Description
10H 11H 12H	20H 22H 24H	0051H 0052H 0059H	Query Unique ASCII string "QRY"
13H 14H	26H 28H	0002H 0000H	Primary OEM command set
15H 16H	2AH 2CH	0000H 0000H	Address for Primary Extended Table
17H 18H	2EH 30H	0000H 0000H	Alternate OEM command set (00H = none exists)
19H 1AH	32H 34H	0000H 0000H	Address for Alternate OEM extended Table (00H = none exists)

T7.0 1342

1. Refer to CFI publication 100 for more details.
2. In x8 mode, only the lower byte of data is output.

**TABLE 8: System Interface Information**

Address x16 Mode	Address x8 Mode	Data <sup>1</sup>	Description
1BH	36H	0027H	V <sub>DD</sub> Min (Program/Erase) DQ <sub>7</sub> -DQ <sub>4</sub> : Volts, DQ <sub>3</sub> -DQ <sub>0</sub> : 100 millivolts
1CH	38H	0036H	V <sub>DD</sub> Max (Program/Erase) DQ <sub>7</sub> -DQ <sub>4</sub> : Volts, DQ <sub>3</sub> -DQ <sub>0</sub> : 100 millivolts
1DH	3AH	0000H	V <sub>PP</sub> min (00H = no V <sub>PP</sub> pin)
1EH	3CH	0000H	V <sub>PP</sub> max (00H = no V <sub>PP</sub> pin)
1FH	3EH	0004H	Typical time out for Program 2 <sup>N</sup> μs (2 <sup>4</sup> = 16 μs)
20H	40H	0000H	Typical time out for min size buffer program 2 <sup>N</sup> μs (00H = not supported)
21H	42H	0004H	Typical time out for individual Sector/Block-Erase 2 <sup>N</sup> ms (2 <sup>4</sup> = 16 ms)
22H	44H	0006H	Typical time out for Chip-Erase 2 <sup>N</sup> ms (2 <sup>6</sup> = 64 ms)
23H	46H	0001H	Maximum time out for Program 2 <sup>N</sup> times typical (2 <sup>1</sup> x 2 <sup>4</sup> = 32 μs)
24H	48H	0000H	Maximum time out for buffer program 2 <sup>N</sup> times typical
25H	4AH	0001H	Maximum time out for individual Sector-/Block-Erase 2 <sup>N</sup> times typical (2 <sup>1</sup> x 2 <sup>4</sup> = 32 ms)
26H	4CH	0001H	Maximum time out for Chip-Erase 2 <sup>N</sup> times typical (2 <sup>1</sup> x 2 <sup>6</sup> = 128 ms)

T8.0 1342

1. In x8 mode, only the lower byte of data is output.



# 16 Mbit Concurrent SuperFlash SST36VF1601G / SST36VF1602G

Data Sheet

**TABLE 9: Device Geometry Information**

Address x16 Mode	Address x8 Mode	Data <sup>1</sup>	Description
27H	4EH	0015H	Device size = $2^N$ Bytes (15H = 21; $2^{21}$ = 2 MByte)
28H	50H	0002H	Flash Device Interface description; 0002H = x8/x16 asynchronous interface
29H	52H	0000H	
2AH	54H	0000H	Maximum number of bytes in multi-byte write = $2^N$ (00H = not supported)
2BH	56H	0000H	
2CH	58H	0002H	Number of Erase Sector/Block sizes supported by device
2DH	5AH	00FFH	Sector Information (y + 1 = Number of sectors; z x 256B = sector size)
2EH	5CH	0001H	
2FH	5EH	0010H	y = 511 + 1 = 512 sectors (01FFH = 512)
30H	60H	0000H	
31H	62H	001FH	Block Information (y + 1 = Number of blocks; z x 256B = block size)
32H	64H	0000H	
33H	66H	0000H	y = 31 + 1 = 32 blocks (001FH = 31)
34H	68H	0001H	
			z = 256 x 256 Bytes = 64 KByte/block (0100H = 256)

T9.1 1342

1. In x8 mode, only the lower byte of data is output.





# 16 Mbit Concurrent SuperFlash SST36VF1601G / SST36VF1602G

Data Sheet

**Absolute Maximum Stress Ratings** (Applied conditions greater than those listed under “Absolute Maximum Stress Ratings” may cause permanent damage to the device. This is a stress rating only and functional operation of the device at these conditions or conditions greater than those defined in the operational sections of this data sheet is not implied. Exposure to absolute maximum stress rating conditions may affect device reliability.)

Temperature Under Bias ..... -55°C to +125°C  
 Storage Temperature ..... -65°C to +150°C  
 D. C. Voltage on Any Pin to Ground Potential ..... -0.5V to  $V_{DD}+0.5V$   
 Transient Voltage (<20 ns) on Any Pin to Ground Potential ..... -2.0V to  $V_{DD}+2.0V$   
 Package Power Dissipation Capability ( $T_A = 25^\circ C$ ) ..... 1.0W  
 Surface Mount Solder Reflow Temperature ..... 260°C for 10 seconds  
 Output Short Circuit Current ..... 50 mA

### Operating Range:

Range	Ambient Temp	$V_{DD}$
Commercial	0°C to +70°C	2.7-3.6V
Industrial	-40°C to +85°C	2.7-3.6V

### AC Conditions of Test

Input Rise/Fall Time	5 ns
Output Load	$C_L = 30 \text{ pF}$
See Figures 23 and 24	



# 16 Mbit Concurrent SuperFlash SST36VF1601G / SST36VF1602G

Data Sheet

**TABLE 10: DC Operating Characteristics  $V_{DD} = 2.7-3.6V$**

Symbol	Parameter	Freq	Limits			Test Conditions
			Min	Max	Units	
$I_{DD}^1$	Active $V_{DD}$ Current Read	5 MHz		15	mA	$CE\#=V_{IL}, WE\#=OE\#=V_{IH}$
		1 MHz		4	mA	
	Program and Erase Concurrent Read/Write			30	mA	$CE\#=WE\#=V_{IL}, OE\#=V_{IH}$
		5 MHz		45	mA	$CE\#=V_{IL}, OE\#=V_{IH}$
		1 MHz		35	mA	
$I_{SB}$	Standby $V_{DD}$ Current		20	$\mu A$	$CE\#, RST\#=V_{DD}\pm 0.3V$	
$I_{ALP}$	Auto Low Power $V_{DD}$ Current		20	$\mu A$	$CE\#=0.1V, V_{DD}=V_{DD} \text{ Max}$ $WE\#=V_{DD}-0.1V$ Address inputs= $0.1V$ or $V_{DD}-0.1V$	
$I_{RT}$	Reset $V_{DD}$ Current		20	$\mu A$	$RST\#=GND$	
$I_{LI}$	Input Leakage Current		1	$\mu A$	$V_{IN} = GND$ to $V_{DD}, V_{DD}=V_{DD} \text{ Max}$	
$I_{LIW}$	Input Leakage Current on $WP\#$ pin and $RST\#$ pin		10	$\mu A$	$WP\#=GND$ to $V_{DD}, V_{DD}=V_{DD} \text{ Max}$ $RST\#=GND$ to $V_{DD}, V_{DD}=V_{DD} \text{ Max}$	
$I_{LO}$	Output Leakage Current		1	$\mu A$	$V_{OUT} = GND$ to $V_{DD}, V_{DD}=V_{DD} \text{ Max}$	
$V_{IL}$	Input Low Voltage		0.8	V	$V_{DD}=V_{DD} \text{ Min}$	
$V_{ILC}$	Input Low Voltage (CMOS)		0.3	V	$V_{DD}=V_{DD} \text{ Max}$	
$V_{IH}$	Input High Voltage	$0.7 V_{DD}$	$V_{DD}+0.3$	V	$V_{DD}=V_{DD} \text{ Max}$	
$V_{IHC}$	Input High Voltage (CMOS)	$V_{DD}-0.3$	$V_{DD}+0.3$	V	$V_{DD}=V_{DD} \text{ Max}$	
$V_{OL}$	Output Low Voltage		0.2	V	$I_{OL}=100 \mu A, V_{DD}=V_{DD} \text{ Min}$	
$V_{OH}$	Output High Voltage	$V_{DD}-0.2$		V	$I_{OH}=-100 \mu A, V_{DD}=V_{DD} \text{ Min}$	

T10.1 1342

1. Address input =  $V_{ILT}/V_{IHT}, V_{DD}=V_{DD} \text{ Max}$  (See Figure 23)

**TABLE 11: Recommended System Power-up Timings**

Symbol	Parameter	Minimum	Units
$T_{PU-READ}^1$	Power-up to Read Operation	100	$\mu s$
$T_{PU-WRITE}^1$	Power-up to Write Operation	100	$\mu s$

T11.0 1342

1. This parameter is measured only for initial qualification and after a design or process change that could affect this parameter.

**TABLE 12: Capacitance ( $T_A = 25^\circ C, f=1 \text{ Mhz}$ , other pins open)**

Parameter	Description	Test Condition	Maximum
$C_{I/O}^1$	I/O Pin Capacitance	$V_{I/O} = 0V$	10 pF
$C_{IN}^1$	Input Capacitance	$V_{IN} = 0V$	10 pF

T12.0 1342

1. This parameter is measured only for initial qualification and after a design or process change that could affect this parameter.

**TABLE 13: Reliability Characteristics**

Symbol	Parameter	Minimum Specification	Units	Test Method
$N_{END}^1$	Endurance	10,000	Cycles	JEDEC Standard A117
$T_{DR}^1$	Data Retention	100	Years	JEDEC Standard A103
$I_{LTH}^1$	Latch Up	$100 + I_{DD}$	mA	JEDEC Standard 78

T13.0 1342

1. This parameter is measured only for initial qualification and after a design or process change that could affect this parameter.

## AC CHARACTERISTICS

**TABLE 14: Read Cycle Timing Parameters  $V_{DD} = 2.7-3.6V$**

Symbol	Parameter	Min	Max	Units
$T_{RC}$	Read Cycle Time	70		ns
$T_{CE}$	Chip Enable Access Time		70	ns
$T_{AA}$	Address Access Time		70	ns
$T_{OE}$	Output Enable Access Time		35	ns
$T_{CLZ}^1$	CE# Low to Active Output	0		ns
$T_{OLZ}^1$	OE# Low to Active Output	0		ns
$T_{CHZ}^1$	CE# High to High-Z Output		16	ns
$T_{OHZ}^1$	OE# High to High-Z Output		16	ns
$T_{OH}^1$	Output Hold from Address Change	0		ns
$T_{RP}^1$	RST# Pulse Width	500		ns
$T_{RHR}^1$	RST# High before Read	50		ns
$T_{RY}^{1,2}$	RST# Pin Low to Read Mode		20	$\mu s$

T14.1 1342

1. This parameter is measured only for initial qualification and after a design or process change that could affect this parameter.
2. This parameter applies to Sector-Erase, Block-Erase, and Program operations.  
This parameter does not apply to Chip-Erase operations.

**TABLE 15: Program/Erase Cycle Timing Parameters**

Symbol	Parameter	Min	Max	Units
$T_{BP}$	Program Time		10	$\mu s$
$T_{AS}$	Address Setup Time	0		ns
$T_{AH}$	Address Hold Time	40		ns
$T_{CS}$	WE# and CE# Setup Time	0		ns
$T_{CH}$	WE# and CE# Hold Time	0		ns
$T_{OES}$	OE# High Setup Time	0		ns
$T_{OEH}$	OE# High Hold Time	10		ns
$T_{CP}$	CE# Pulse Width	40		ns
$T_{WP}$	WE# Pulse Width	40		ns
$T_{WPH}^1$	WE# Pulse Width High	30		ns
$T_{CPH}^1$	CE# Pulse Width High	30		ns
$T_{DS}$	Data Setup Time	30		ns
$T_{DH}^1$	Data Hold Time	0		ns
$T_{IDA}^1$	Software ID Access and Exit Time		150	ns
$T_{SE}$	Sector-Erase		25	ms
$T_{BE}$	Block-Erase		25	ms
$T_{SCE}$	Chip-Erase		50	ms
$T_{ES}$	Erase-Suspend Latency		10	$\mu s$
$T_{BY}^{1,2}$	RY/BY# Delay Time	90		ns
$T_{BR}^1$	Bus Recovery Time		0	$\mu s$

T15.1 1342

1. This parameter is measured only for initial qualification and after a design or process change that could affect this parameter.
2. This parameter applies to Sector-Erase, Block-Erase, and Program operations.  
This parameter does not apply to Chip-Erase operations.

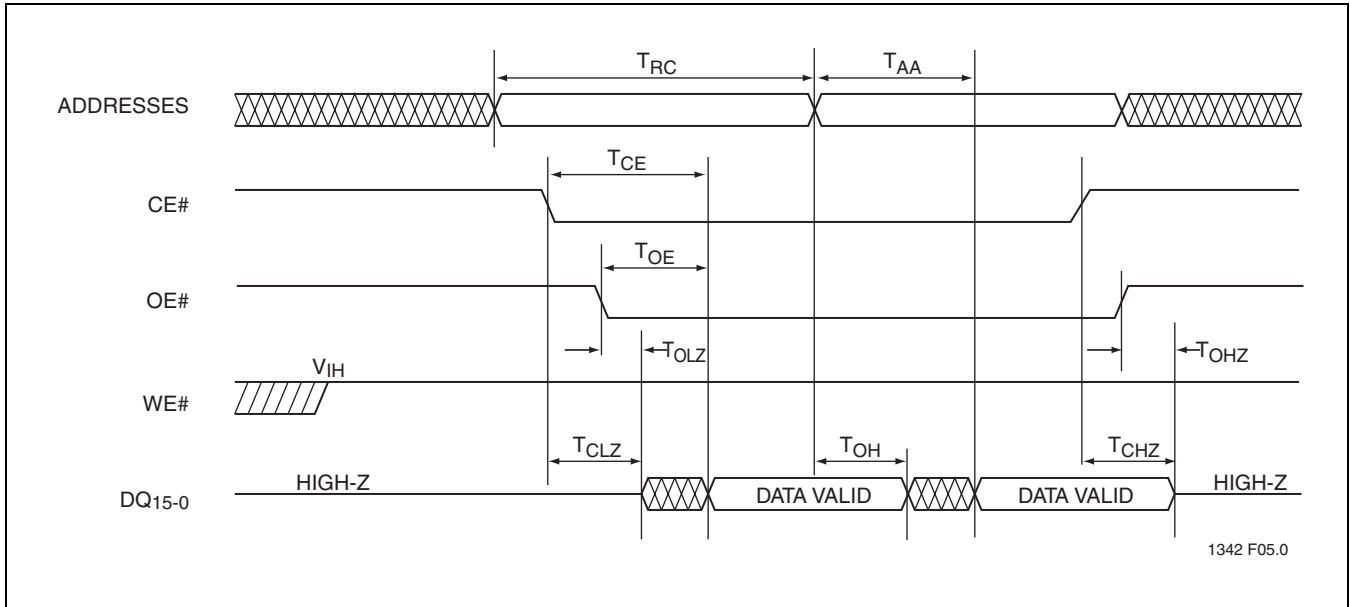
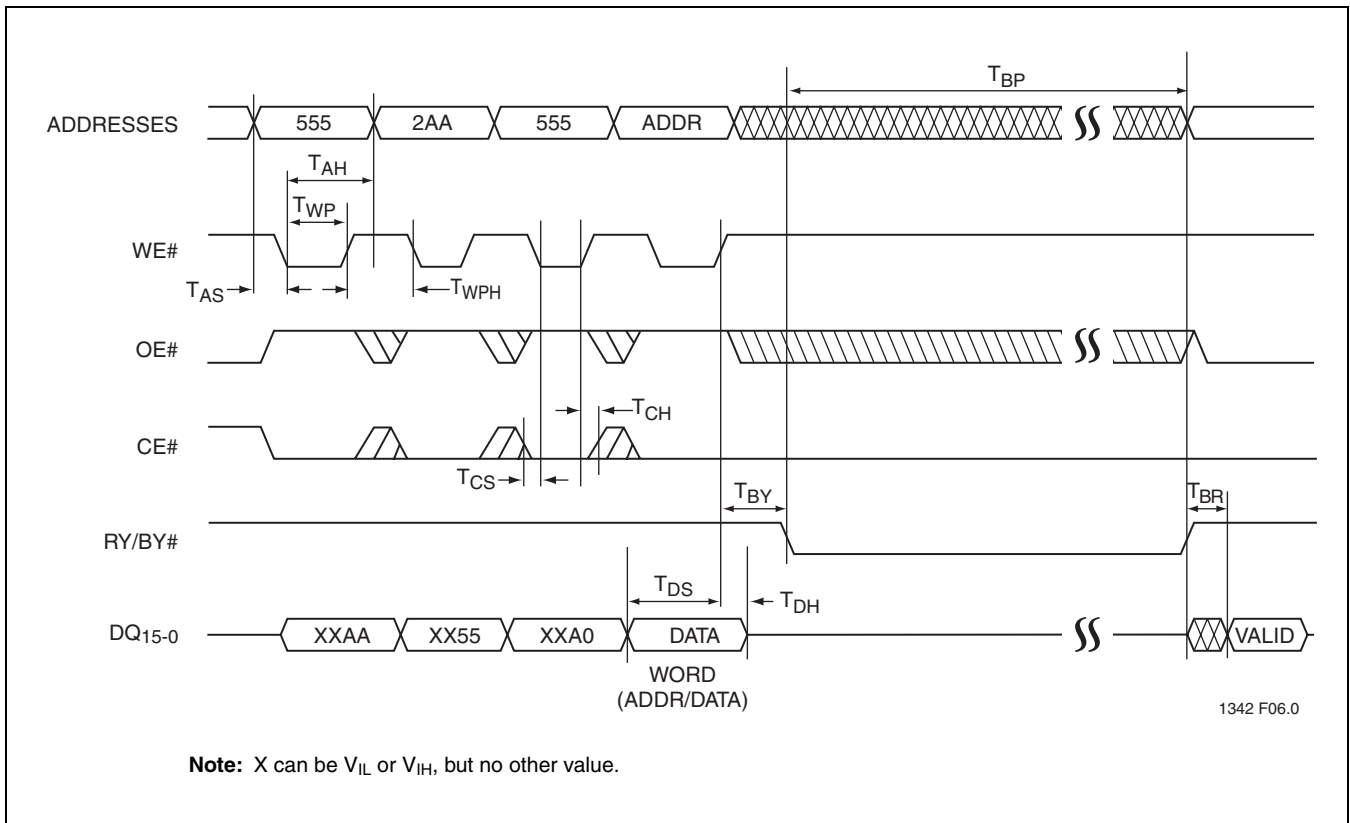


FIGURE 9: Read Cycle Timing Diagram



Note: X can be V<sub>IL</sub> or V<sub>IH</sub>, but no other value.

FIGURE 10: WE# Controlled Program Cycle Timing Diagram

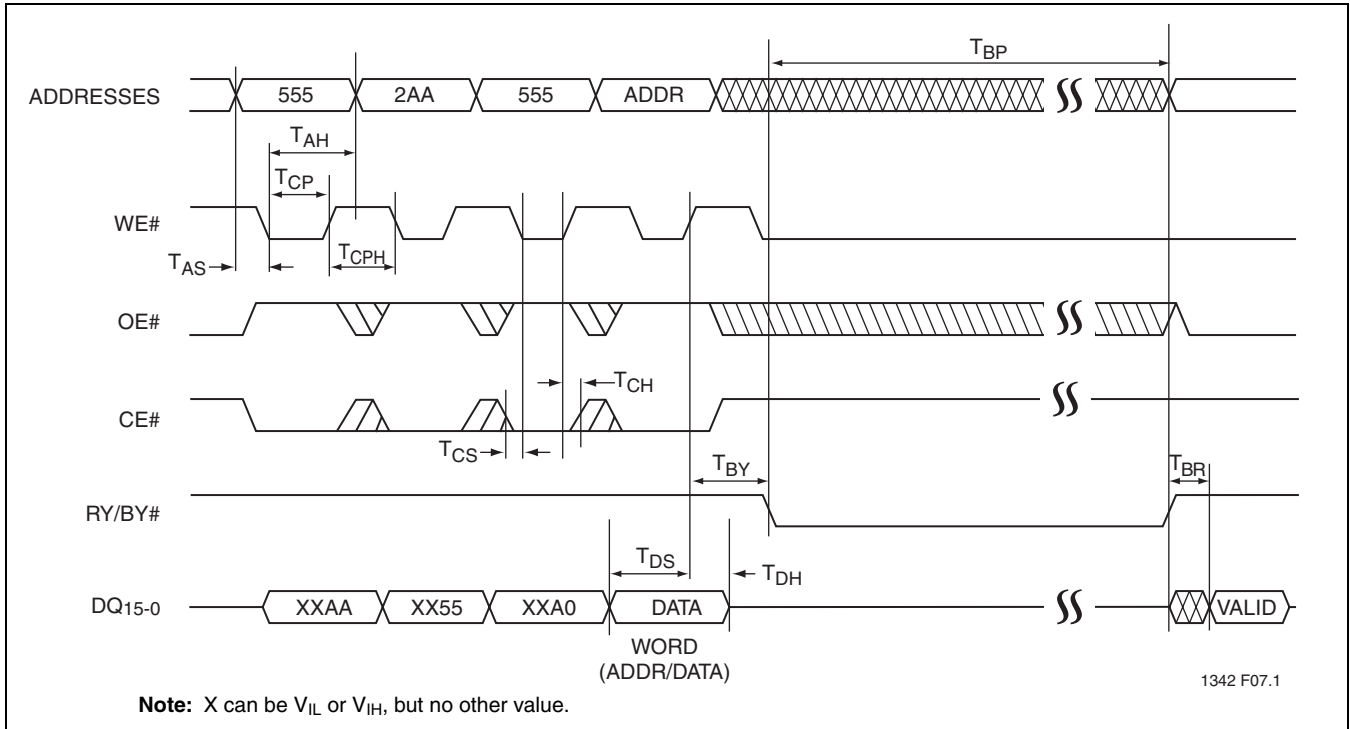


FIGURE 11: CE# Controlled Program Cycle Timing Diagram

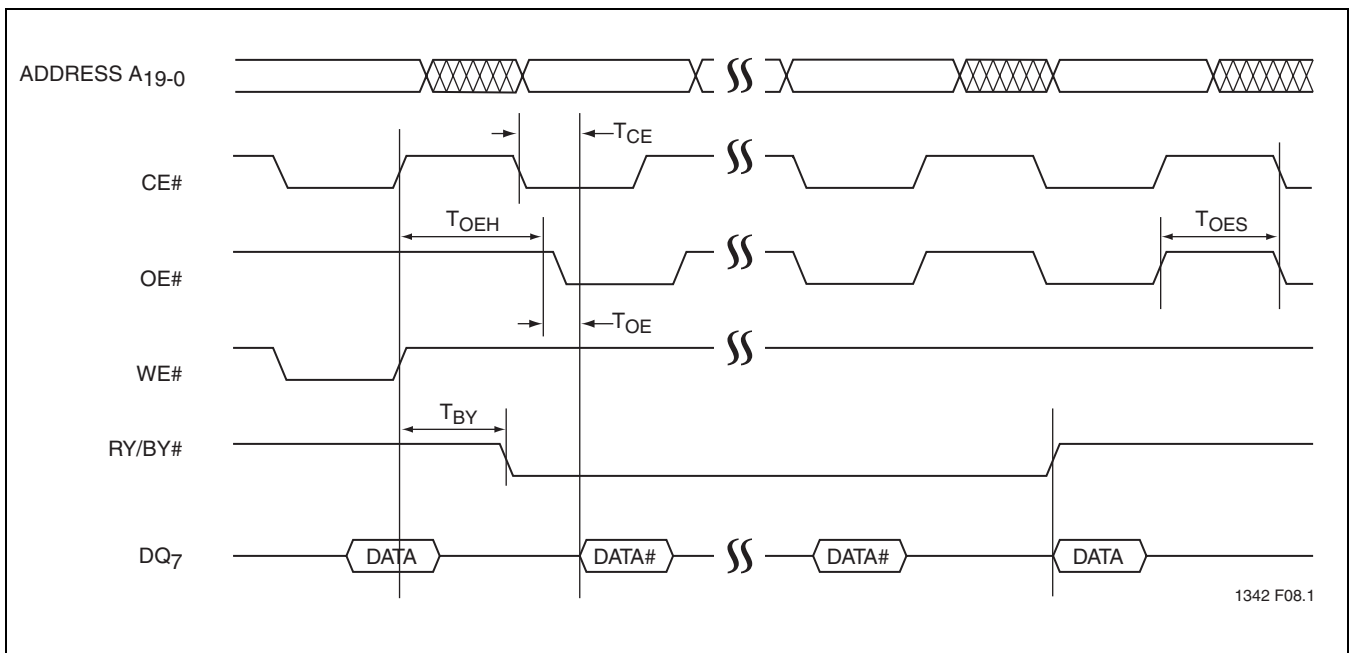


FIGURE 12: Data# Polling Timing Diagram

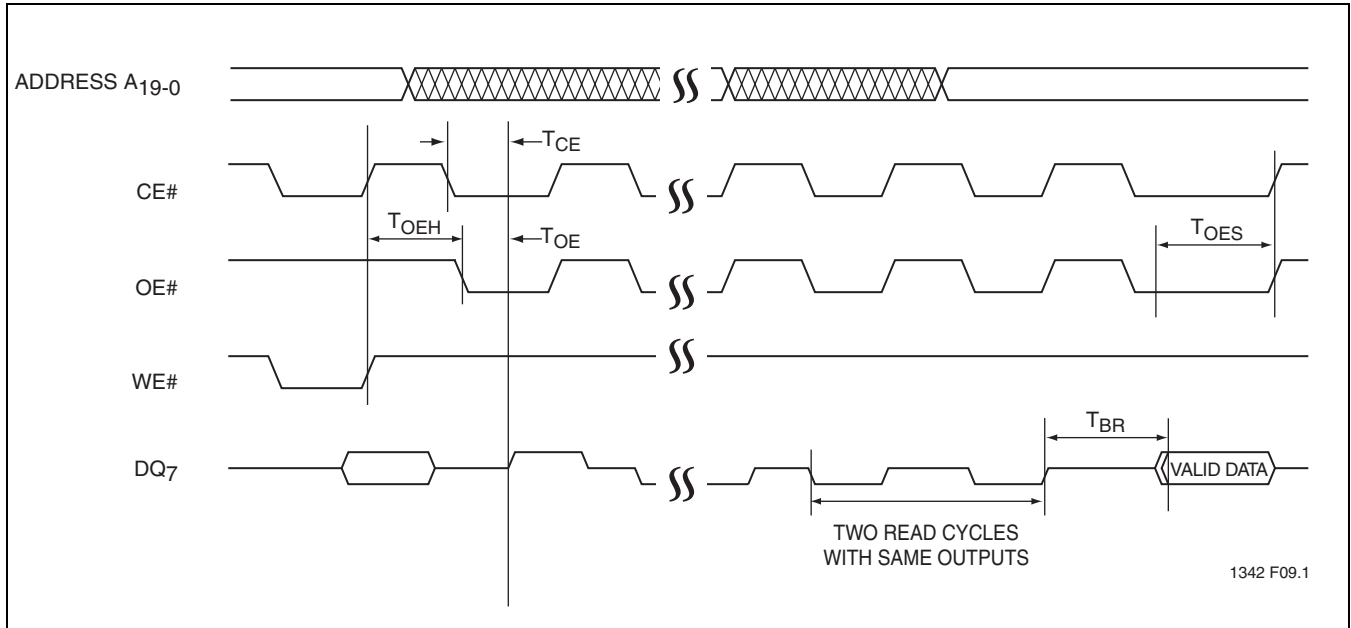
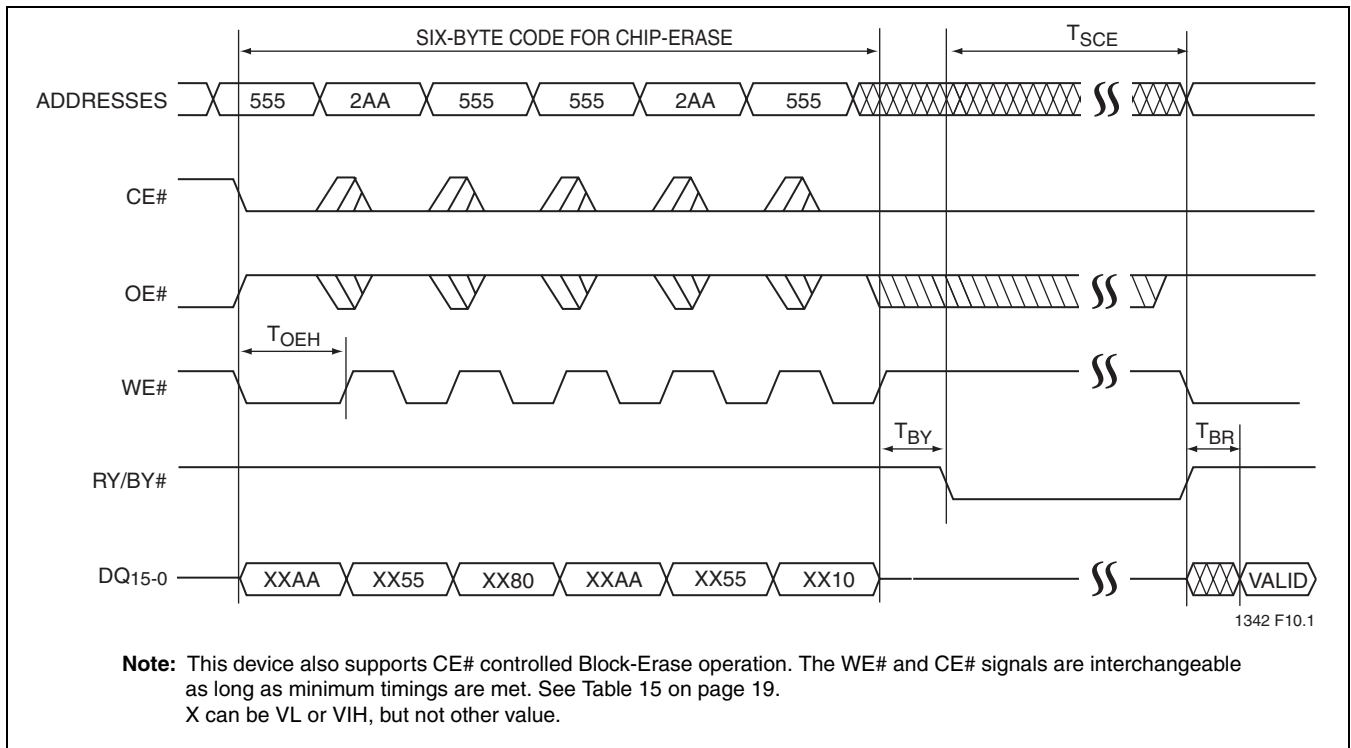


FIGURE 13: Toggle Bit Timing Diagram



**Note:** This device also supports CE# controlled Block-Erase operation. The WE# and CE# signals are interchangeable as long as minimum timings are met. See Table 15 on page 19. X can be VL or VIH, but not other value.

FIGURE 14: WE# Controlled Chip-Erase Timing Diagram

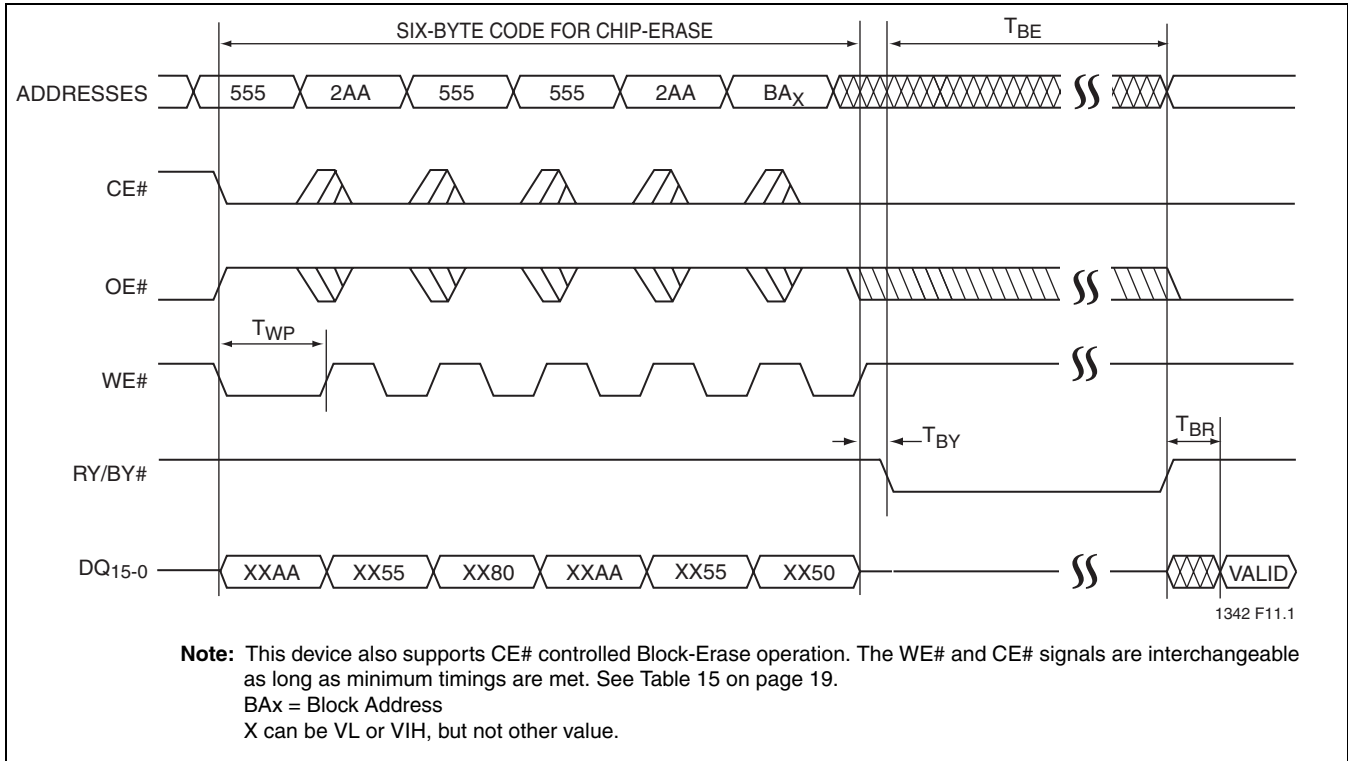


FIGURE 15: WE# Controlled Block-Erase Timing Diagram

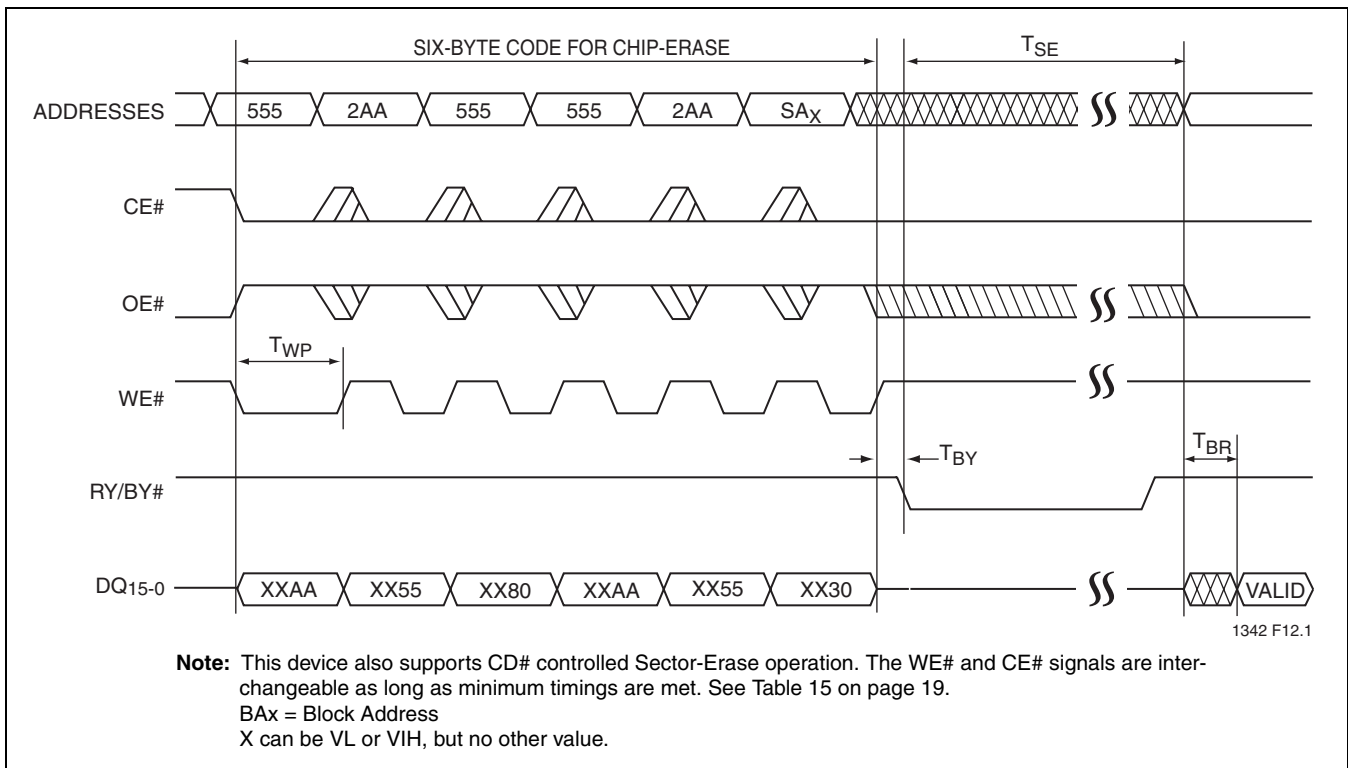


FIGURE 16: WE# Controlled Sector-Erase Timing Diagram

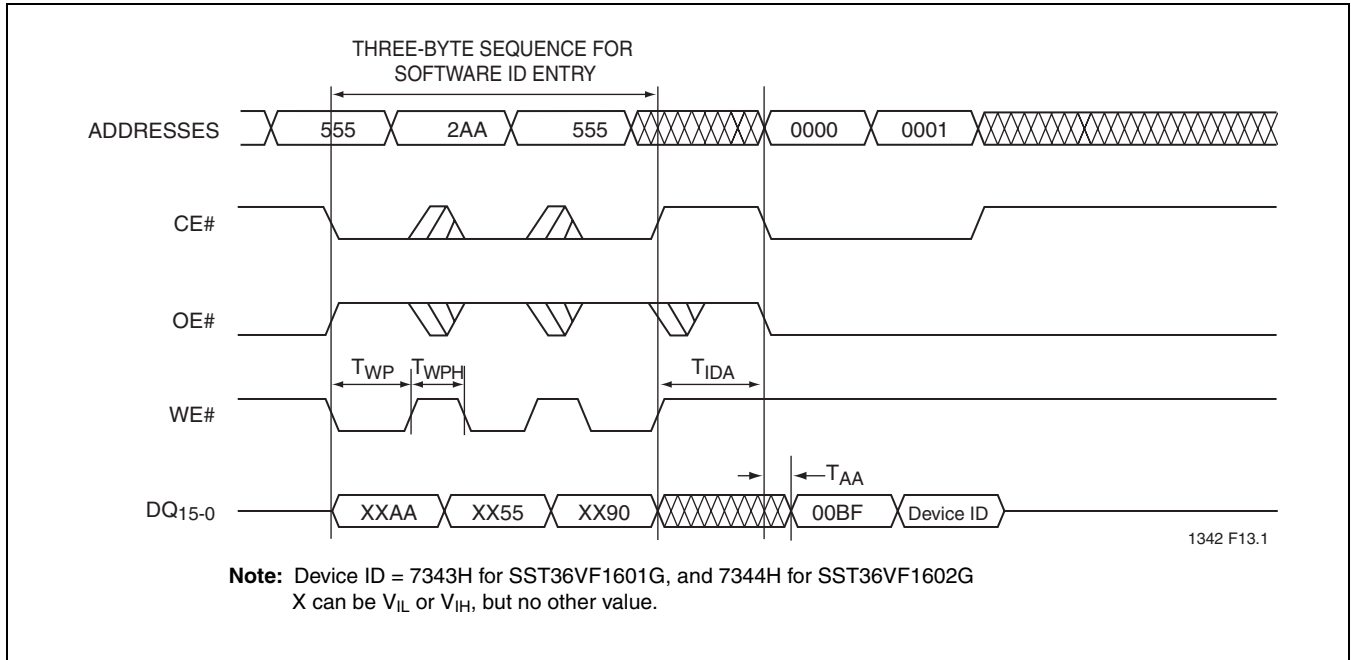


FIGURE 17: Software ID Entry and Read

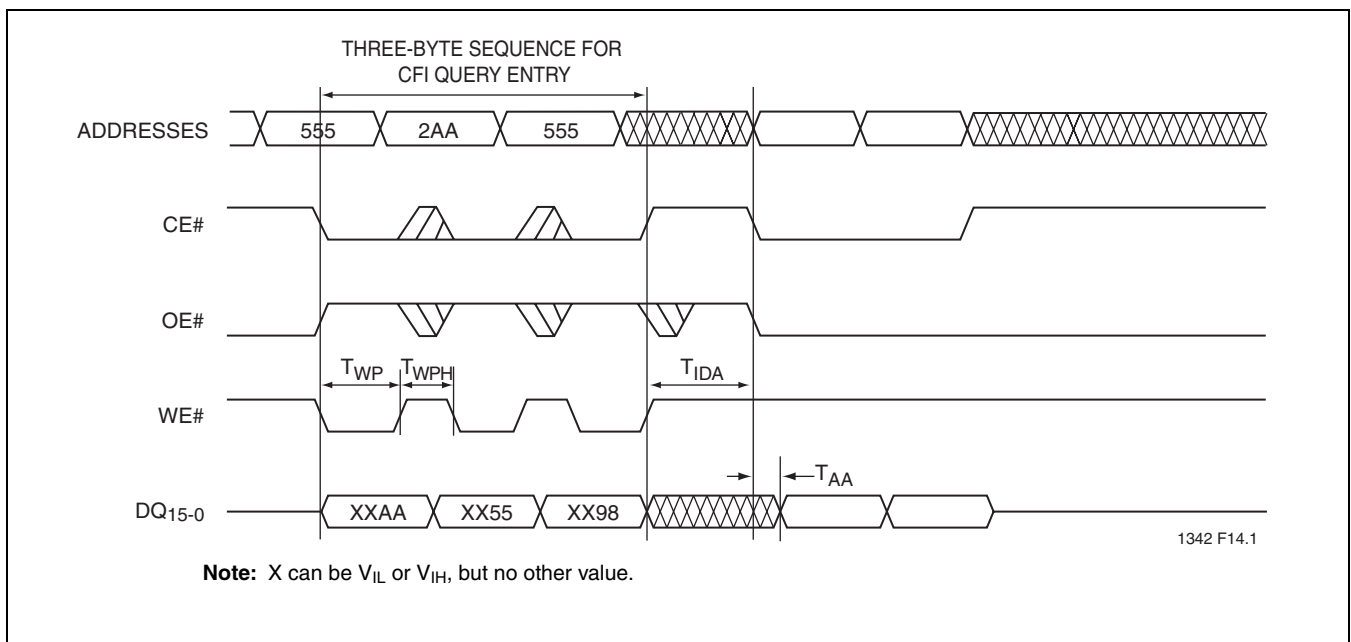


FIGURE 18: CFI Entry and Read



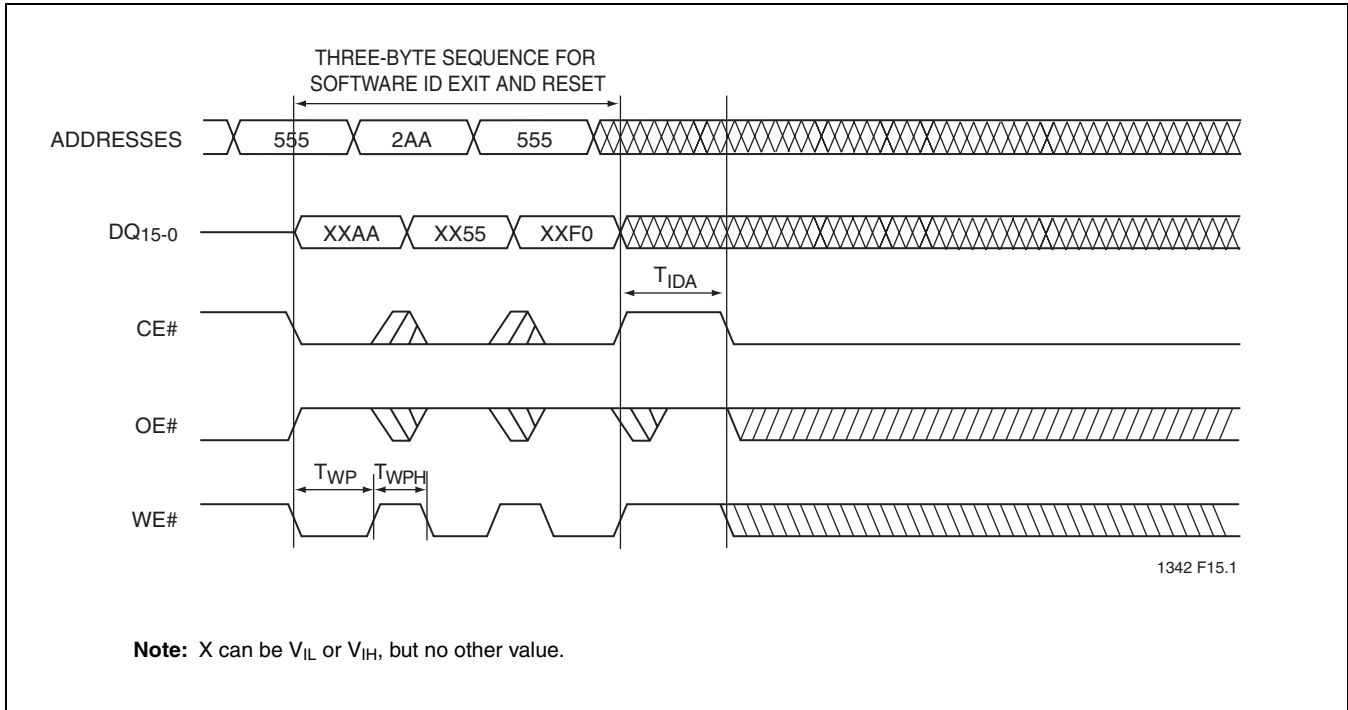


FIGURE 19: Software ID Exit/CFI Exit

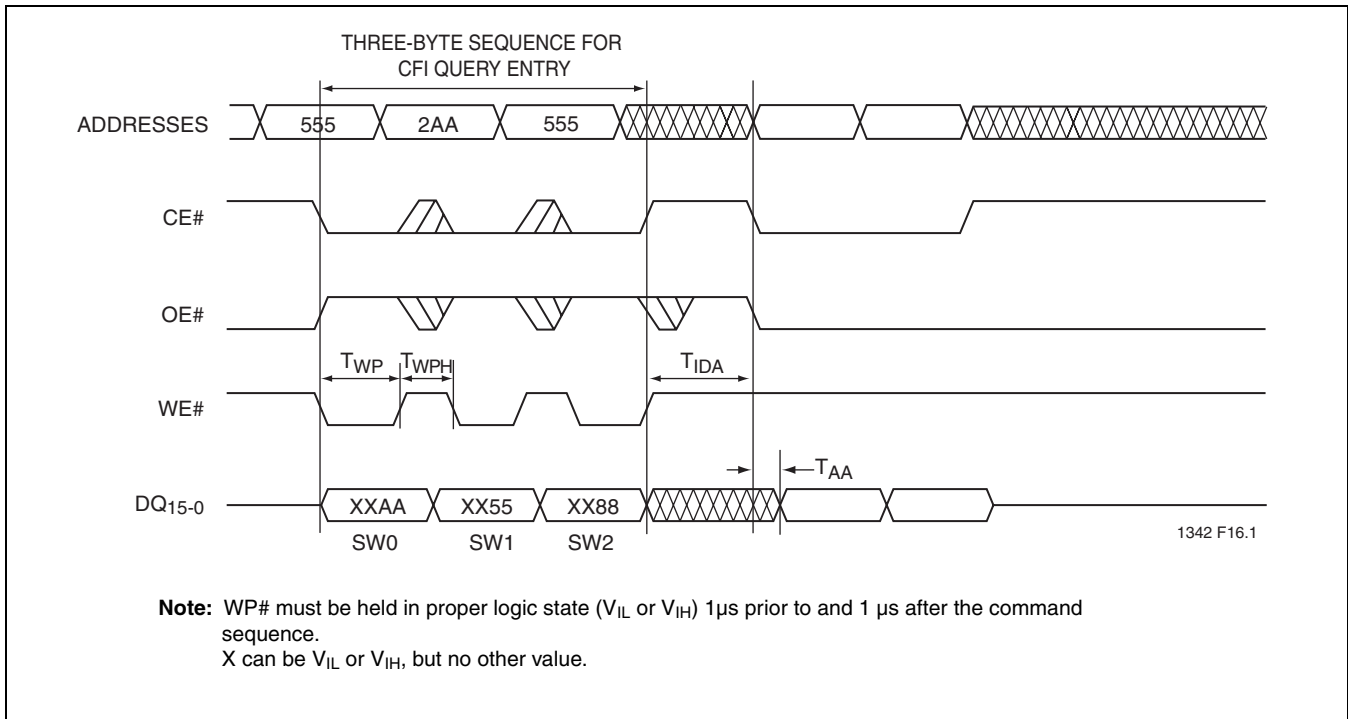


FIGURE 20: Sec ID Entry

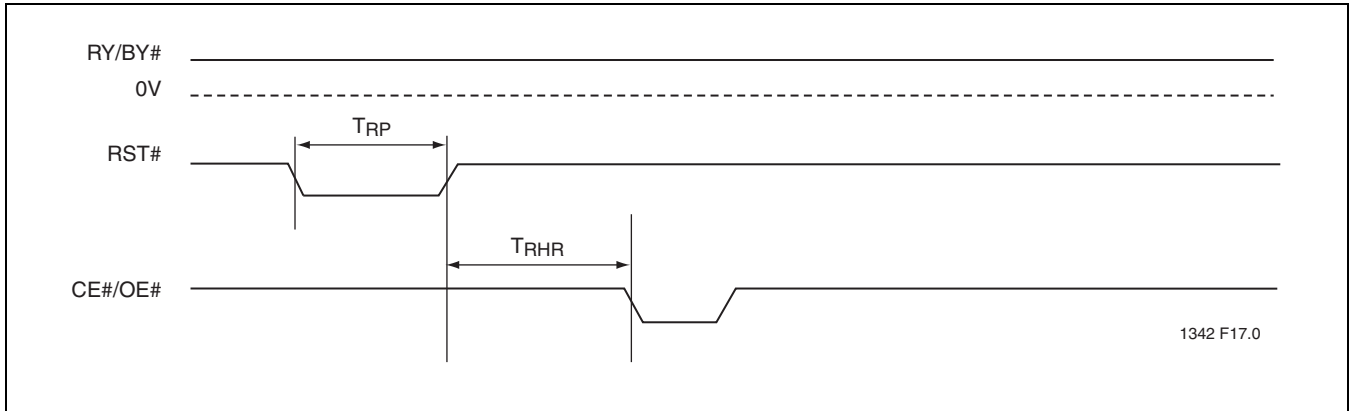


FIGURE 21: RST# Timing Diagram (When no internal operation is in progress)

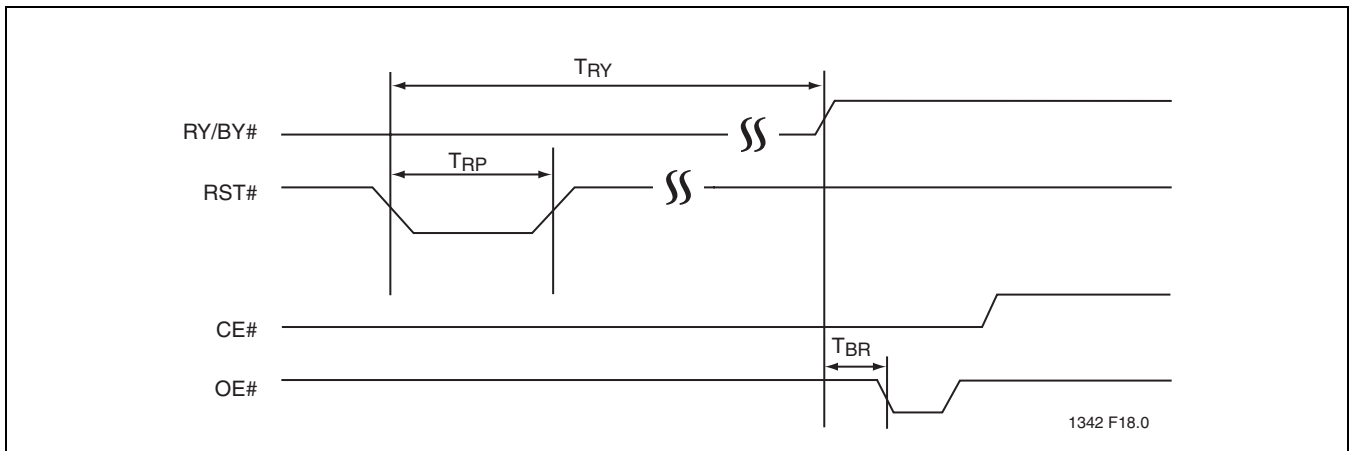


FIGURE 22: RST# Timing Diagram (During Sector- or Block-Erase operation)

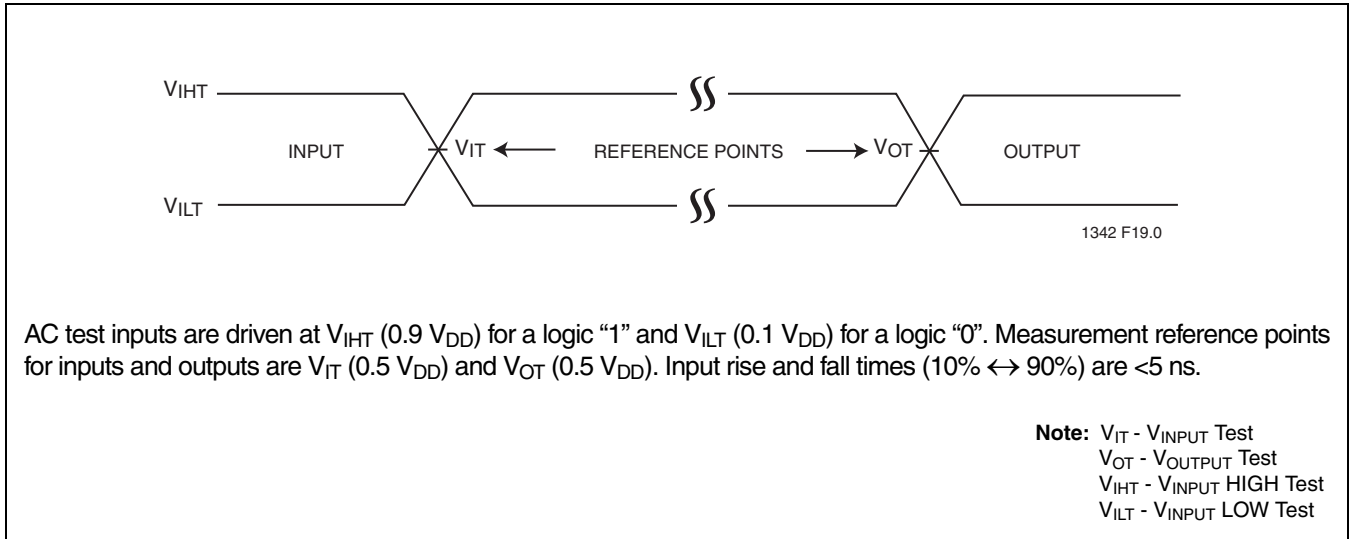


FIGURE 23: AC Input/Output Reference Waveforms

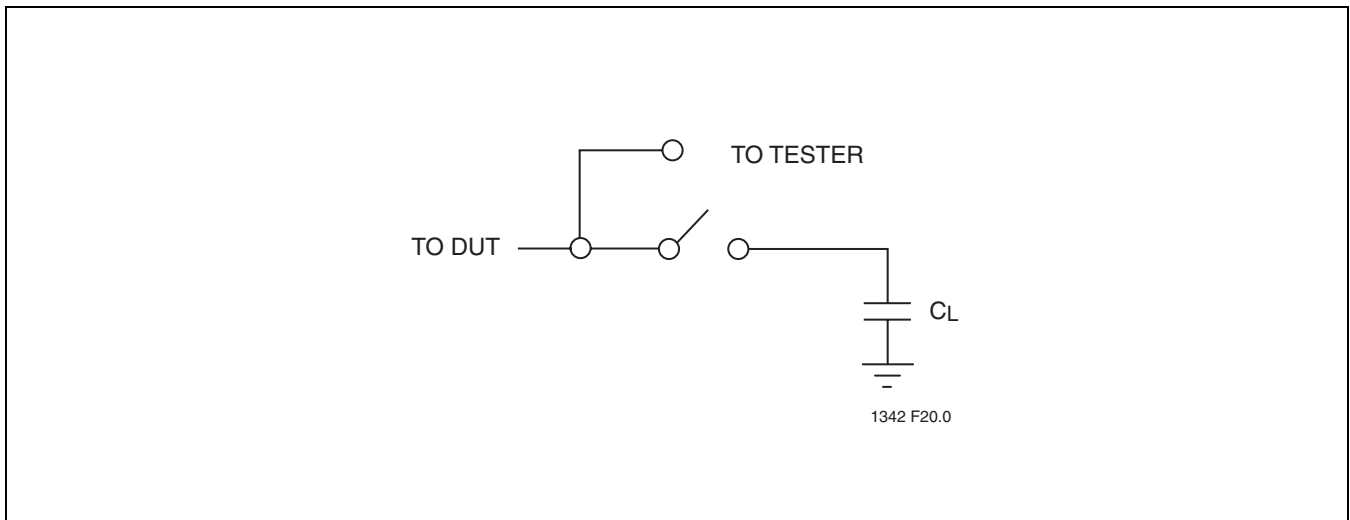


FIGURE 24: A Test Load Example

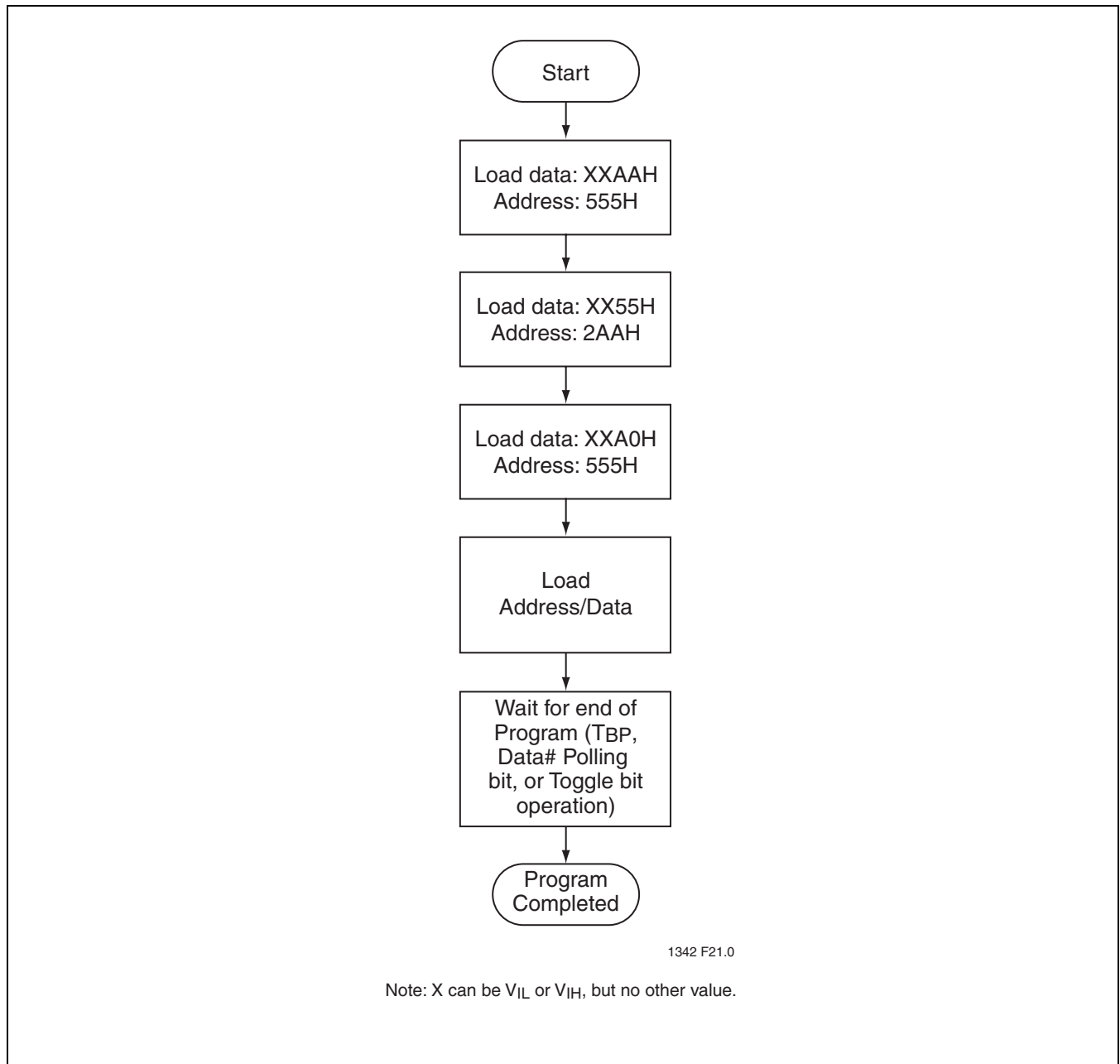


FIGURE 25: Program Algorithm

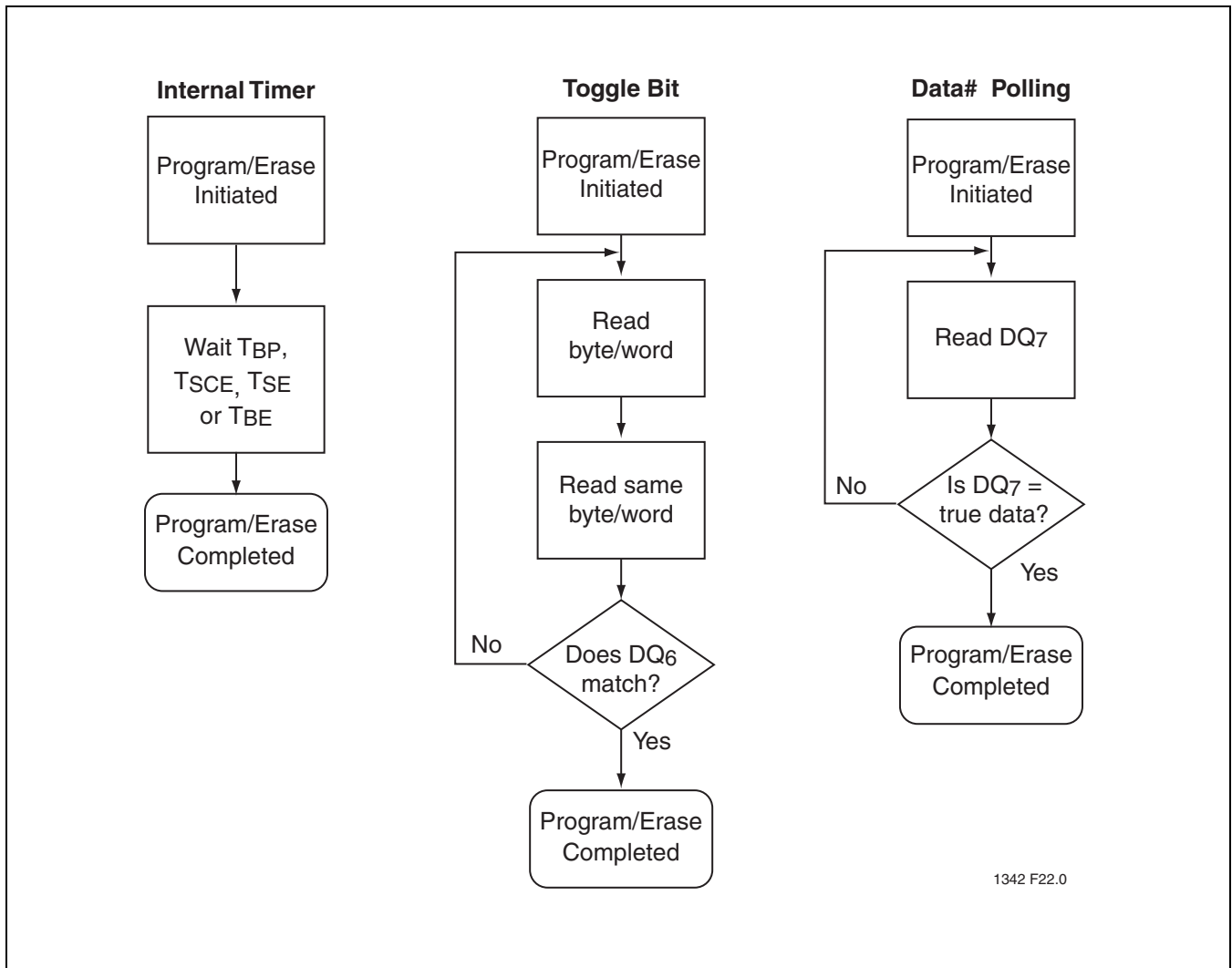


FIGURE 26: Wait Options

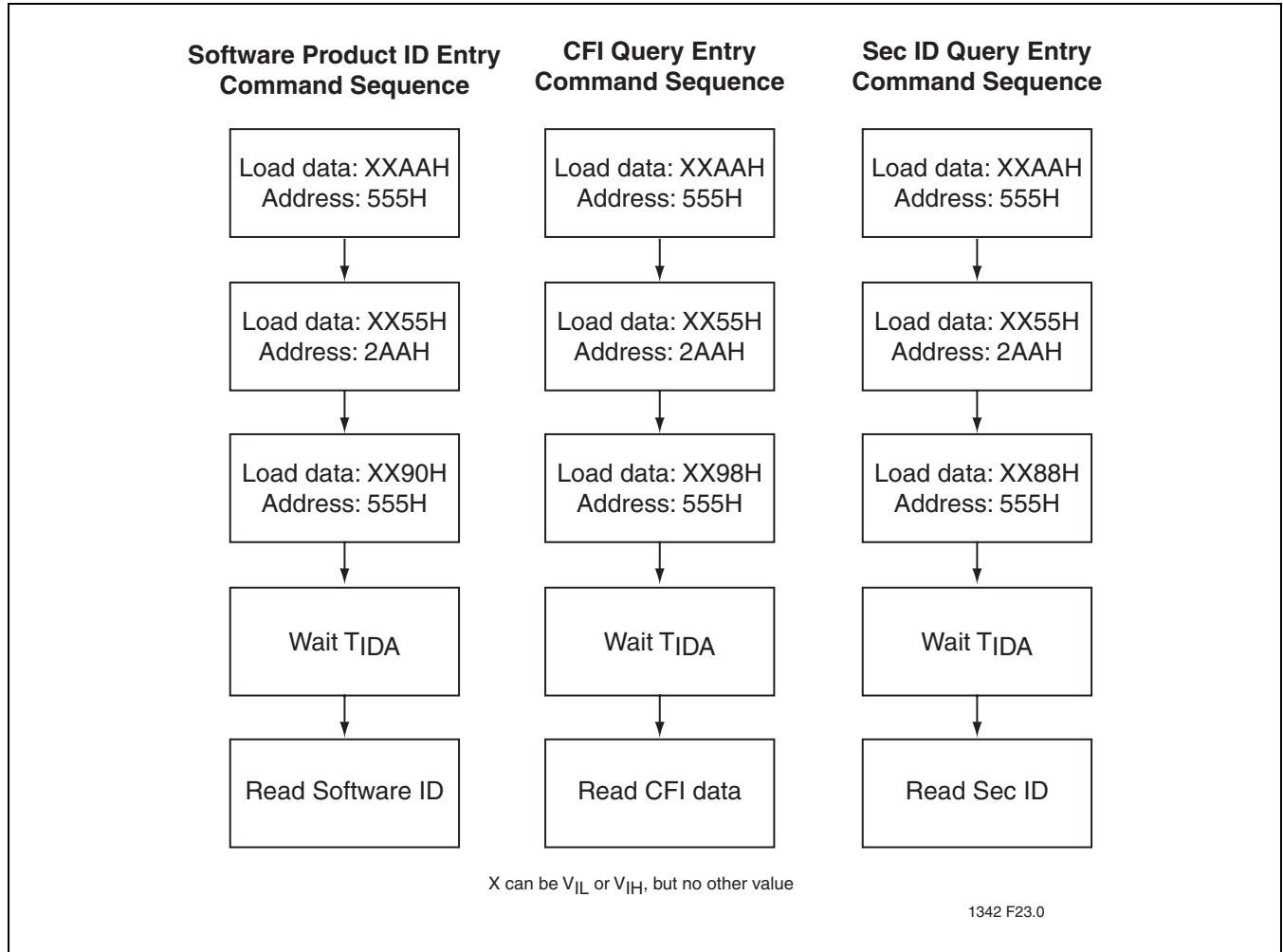
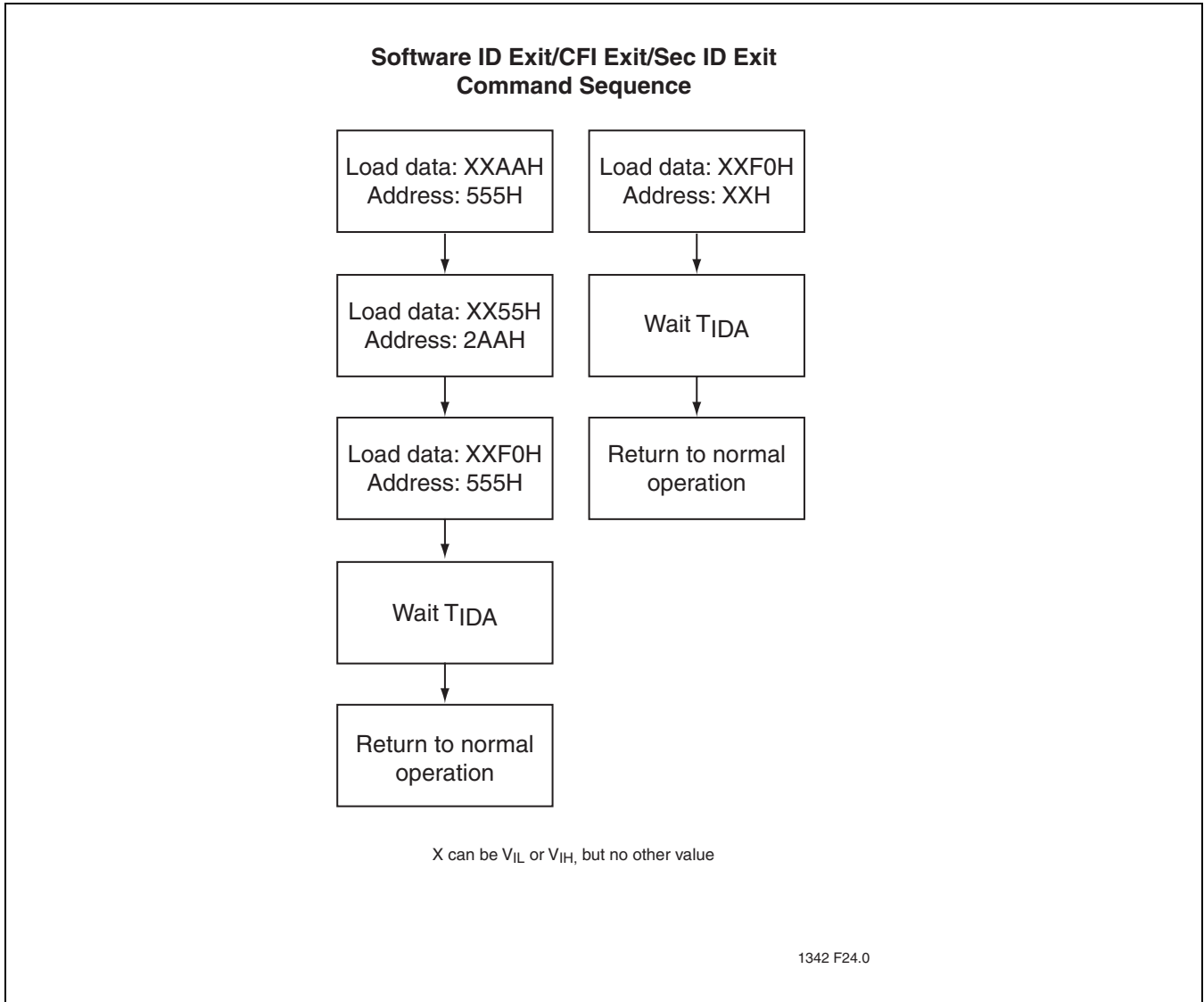


FIGURE 27: Software Product ID/CFI/Sec ID Entry Command Flowcharts



**FIGURE 28: Software Product ID/CFI/Sec ID Exit Command Flowcharts**

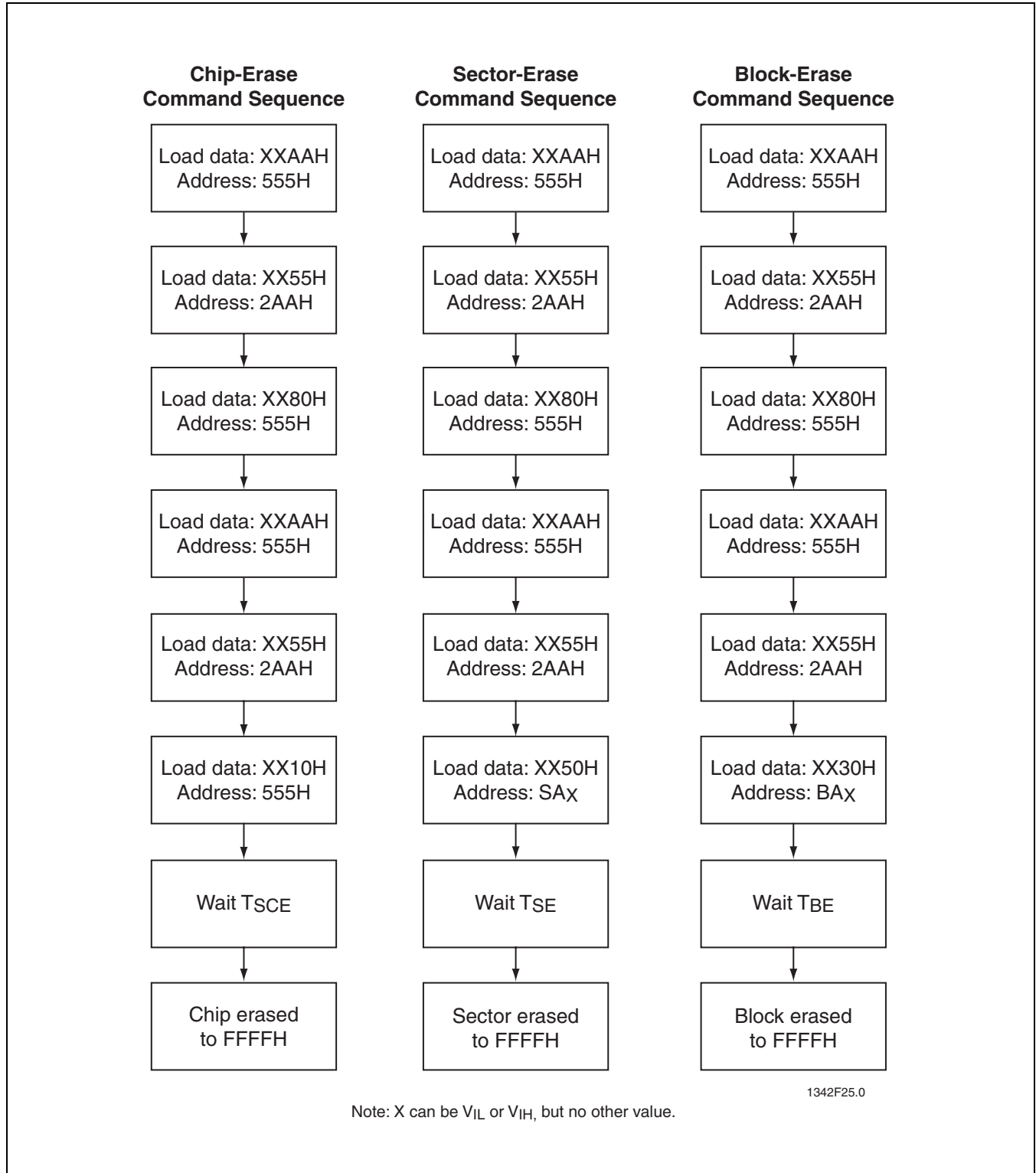


FIGURE 29: Erase Command Sequence

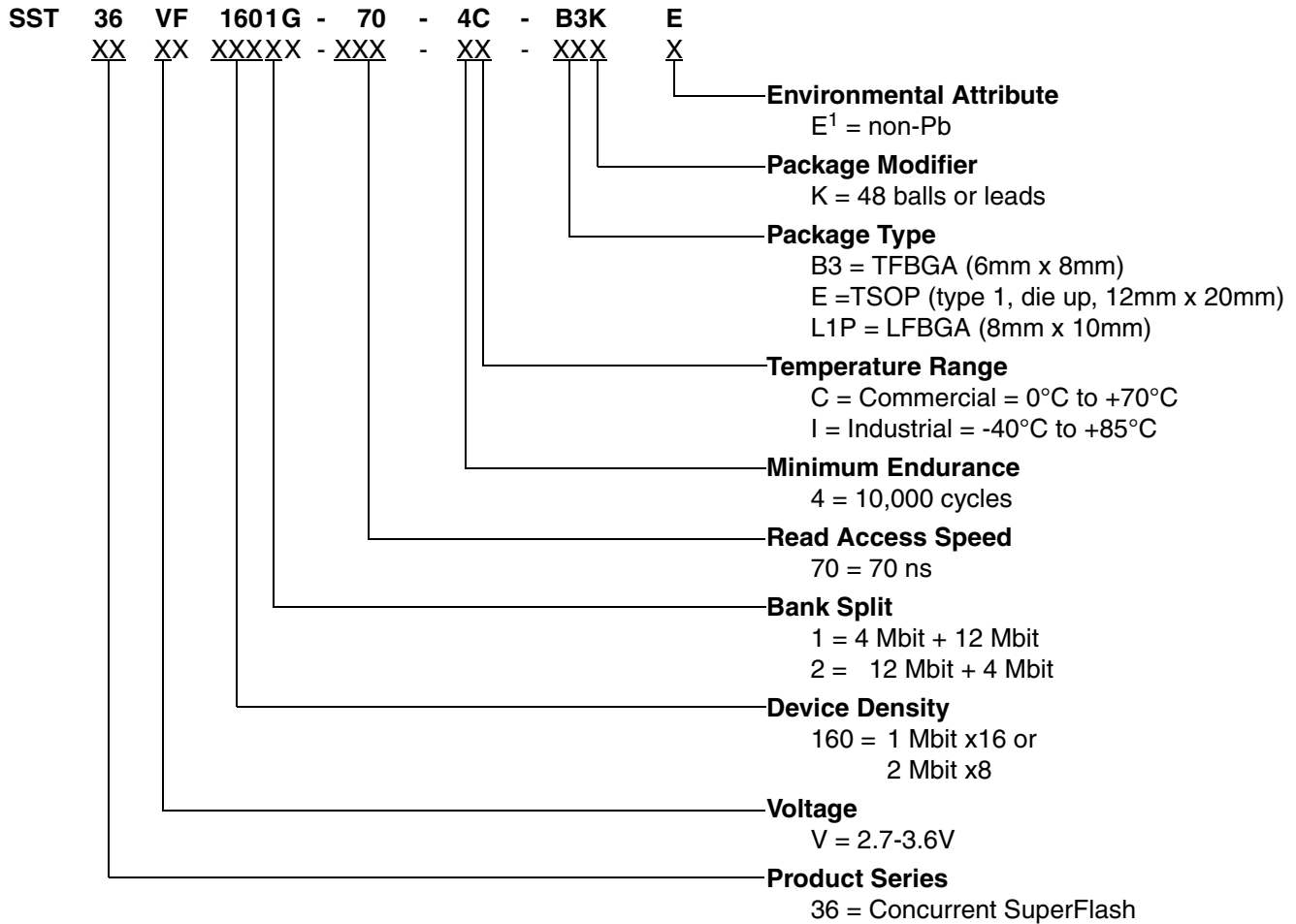


# 16 Mbit Concurrent SuperFlash SST36VF1601G / SST36VF1602G



Data Sheet

## PRODUCT ORDERING INFORMATION



1. Environmental suffix "E" denotes non-Pb solder.  
SST non-Pb solder devices are "RoHS Compliant".

### Valid combinations for SST36VF1601G

SST36VF1601G-70-4C-B3KE	SST36VF1601G-70-4C-EKE	SST36VF1601G-70-4C-L1PE
SST36VF1601G-70-4I-B3KE	SST36VF1601G-70-4I-EKE	SST36VF1601G-70-4I-L1PE

### Valid combinations for SST36VF1602G

SST36VF1602G-70-4C-B3KE	SST36VF1602G-70-4C-EKE	SST36VF1602G-70-4C-L1PE
SST36VF1602G-70-4I-B3KE	SST36VF1602G-70-4I-EKE	SST36VF1602G-70-4I-L1PE

**Note:** Valid combinations are those products in mass production or will be in mass production. Consult your SST sales representative to confirm availability of valid combinations and to determine availability of new combinations.



PACKAGING DIAGRAMS

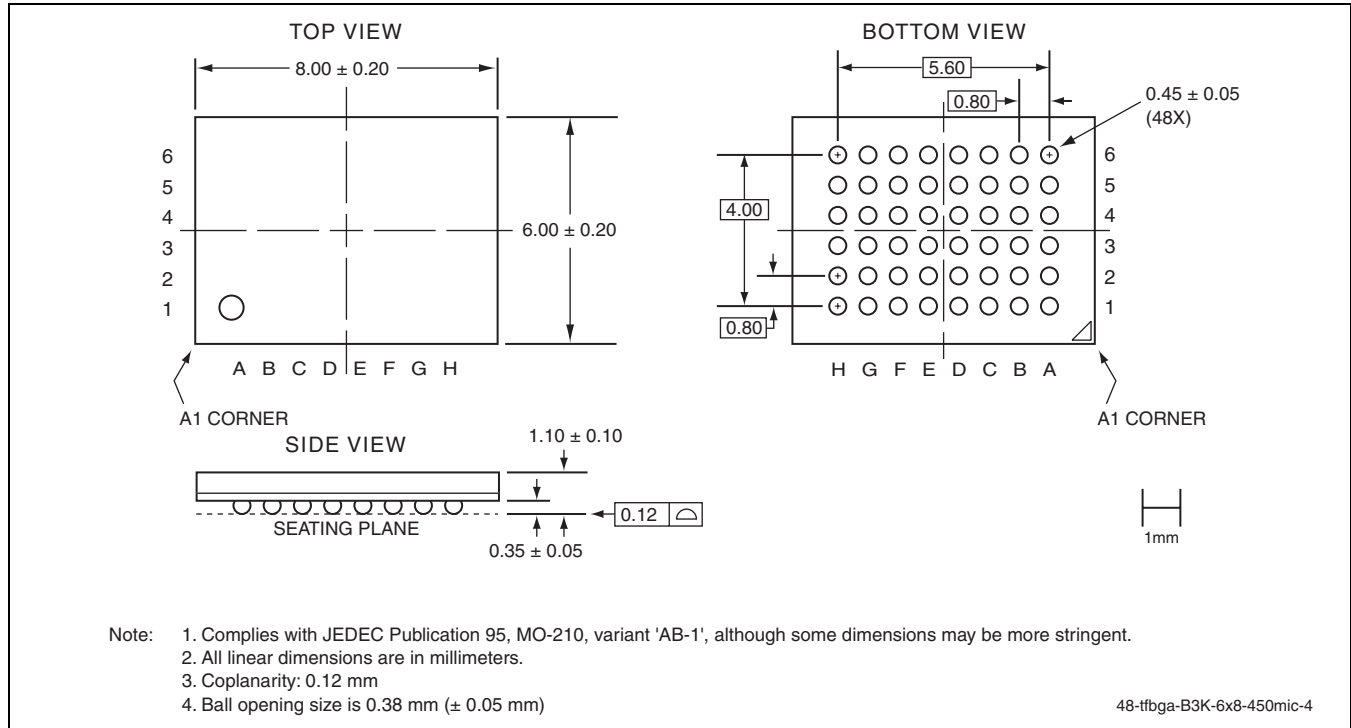
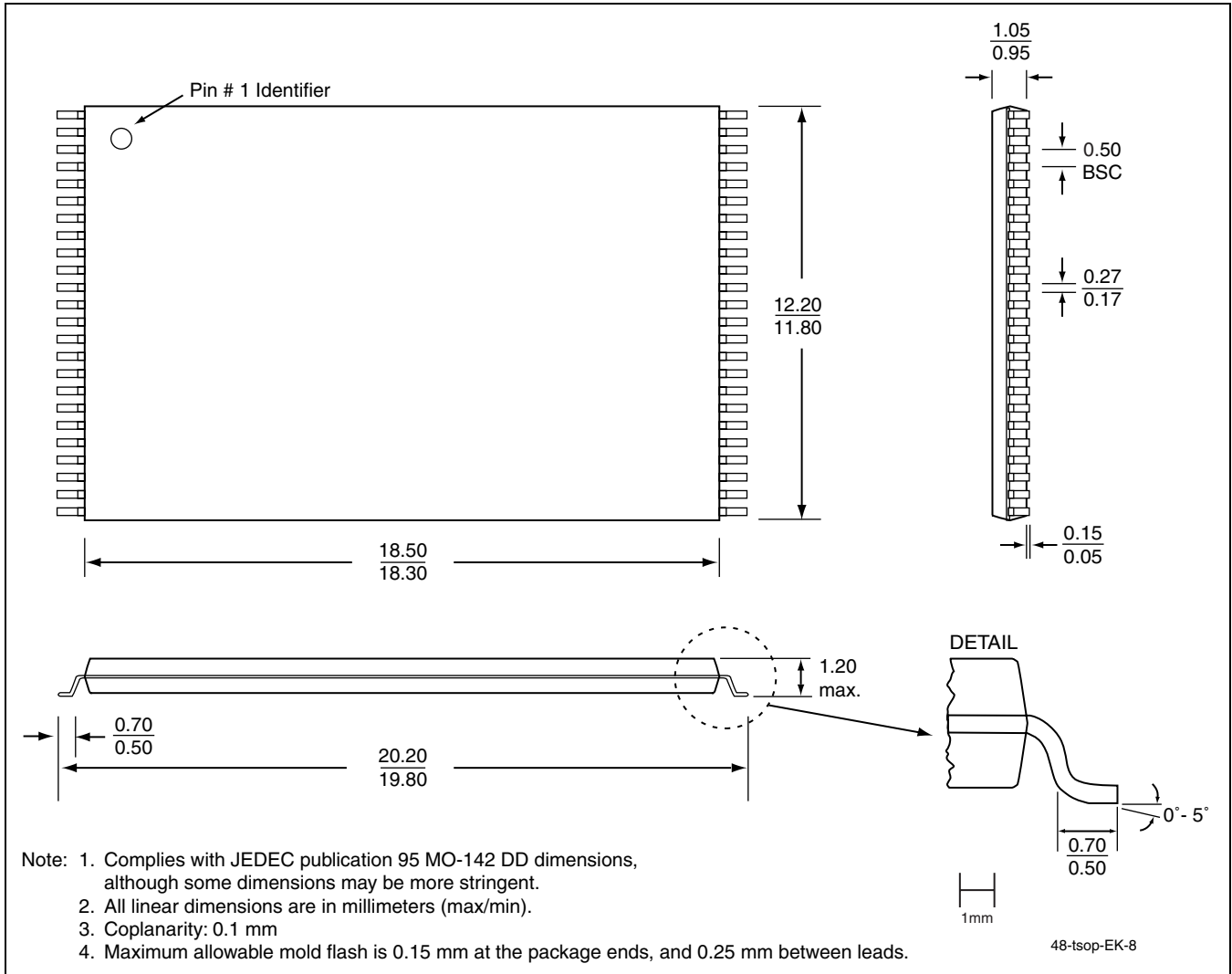


FIGURE 30: 48-ball Thin-profile, Fine-pitch Ball Grid Array (TFBGA) 6mm x 8mm  
SST Package Code: B3K

16 Mbit Concurrent SuperFlash  
 SST36VF1601G / SST36VF1602G



Data Sheet

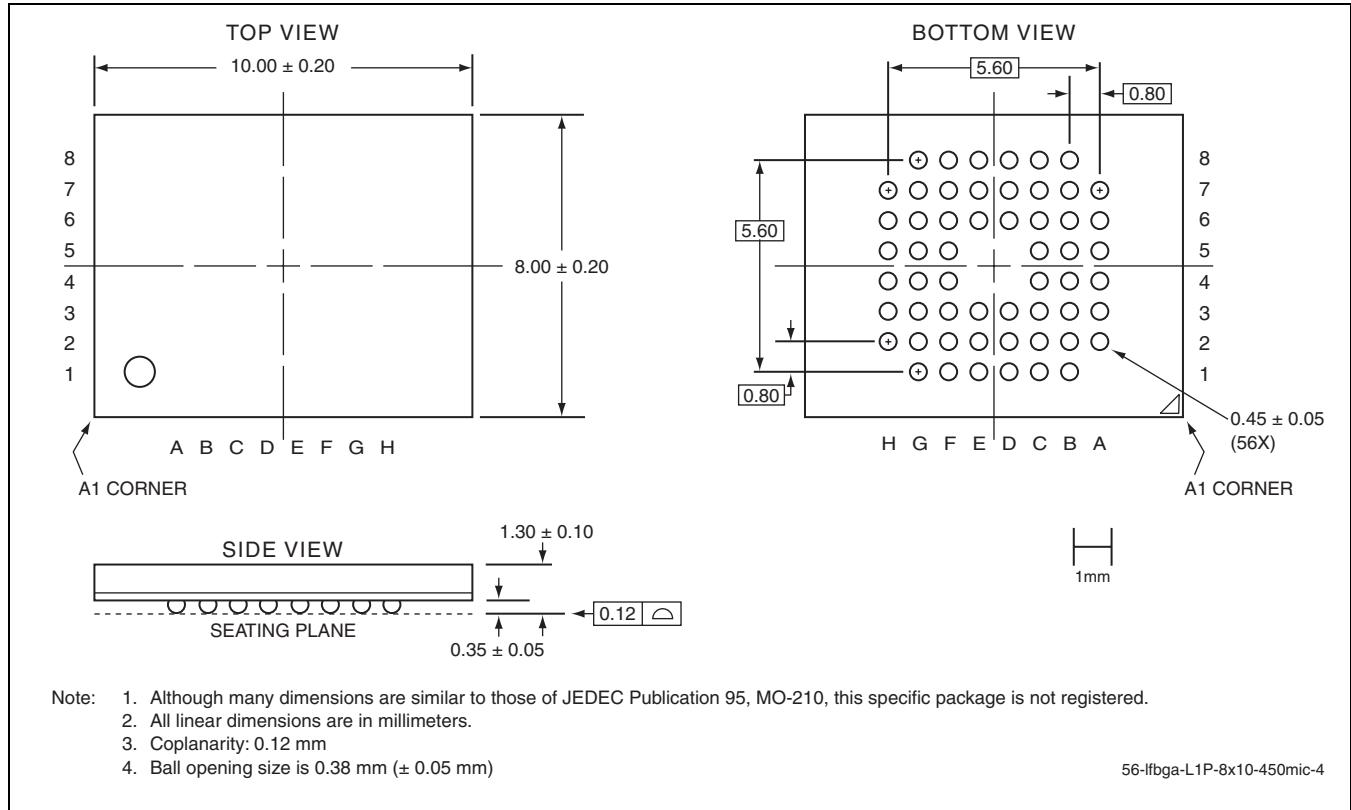


**FIGURE 31: 48-lead Thin Small Outline Package (TSOP) 12mm x 20mm**  
**SST Package Code: EK**



# 16 Mbit Concurrent SuperFlash SST36VF1601G / SST36VF1602G

## Data Sheet



**FIGURE 32: 56-Ball, Low-Profile, Fine-Pitch Ball Grid Array (LFBGA) 8mm x 10mm  
SST Package Code: L1P**

**TABLE 16: Revision History**

Number	Description	Date
00	• Initial release of data sheet	Dec 2006