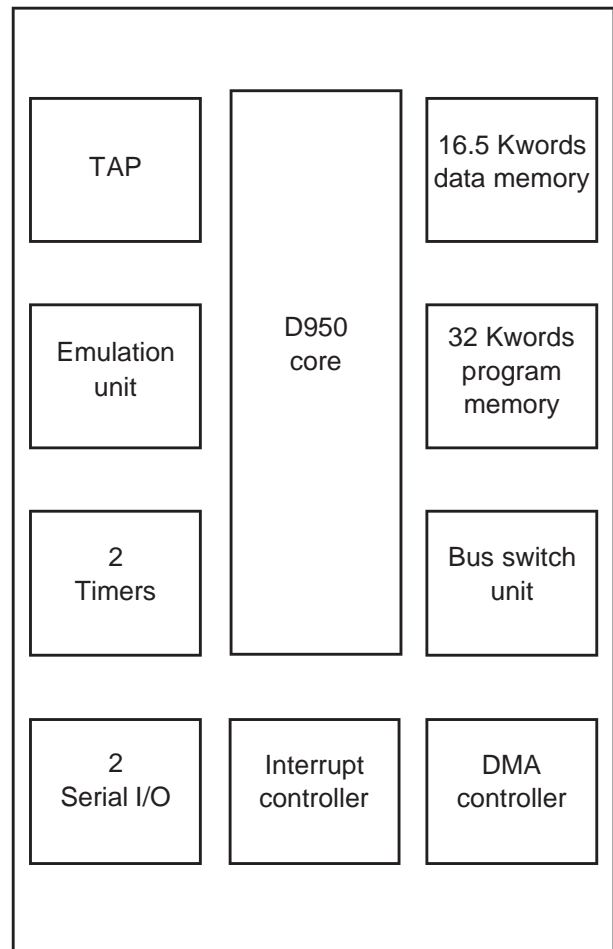


**DIGITAL SIGNAL PROCESSOR (DSP) CHIP**

PRELIMINARY DATA

- **Programmable D950 Core**
  - Data calculation unit
  - Address calculation unit
  - Program control unit
  - Fast and flexible buses
  - 66MIPS - 15 ns instruction cycle time
- **16.5 Kwords data memory (RAM)**
- **32 Kwords program memory (RA42 1714 01)**
  - Interrupt controller
  - DMA controller
  - Serial input/output
  - Timer
  - Bus switch unit
  - Emulation unit
  - JTAG IEEE 1149.1 test access port



---

## Table of Contents

---

1	Introduction	4
2	Pin Description	5
3	Functional Overview	9
4	D950Core	12
4.1	D950Core registers	14
5	Memory	15
5.1	Internal memory resource	15
5.2	Direct bus extension	16
6	Bus Switch Unit	18
6.1	BSU operation	18
6.2	BSU control registers	19
7	DMA Controller	21
7.1	DMA operation	22
7.2	DMA registers	23
8	Interrupt Controller	26
8.1	Interrupt controller registers	27
9	Timers	31
9.1	Timer registers	31
10	SIO	35
10.1	SIO registers	35
11	External Coprocessor	41
12	System Control	41
12.1	System registers	42
12.2	Clocks	44
13	JTAG IEEE 1149.1 test access port	45
14	Emulation Unit	45
15	Electrical Specifications	47
15.1	DC Absolute maximum ratings	47
15.2	DC Electrical characteristics	47
15.3	AC Characteristics	48
16	Y SPACE Memory Mapping	56
16.1	Memory map	56
16.2	Serial input/output registers	56
16.3	Timer registers	58
16.4	Bus switch unit registers	58

---

## Table of Contents

---

16.5	System control registers	58
16.6	DMA controller registers	59
16.7	Interrupt controller registers	59
16.8	Emulation unit registers	60
16.9	D950Core control registers	60
17	ST18952 Package Specifications	61
17.1	208 pin PQFP pinout	61
17.2	208 pin PQFP package dimensions	62
18	Device ID	64
19	Ordering Information	64
20	Revision History	64

# 1 Introduction

The ST18952 chip includes the SGS-Thomson D950 16-bit fixed point digital signal processor core, 16.5 Kwords of data memory, 32 Kwords of program memory, and the following on-chip peripherals:

- Interrupt controller (ITC)
- DMA controller (DMA)
- Bus switch unit (BSU)
- Synchronous input/output (SIO)
- Timer (TIM)
- Emulation unit (EMU)
- Tap controller (TAP)

It also includes an oscillator and a PLL for generation of the D950Core clock.

The ST18952 is used on the D950 Emulation Card (called the D952 module) developed by SGS-Thomson.

It can also be used for application development by customers.

Custom development is eased by providing direct access to the D950 instruction and data buses to allow simultaneous access to external memories or peripherals (with wait-states).

For full details of the D950Core refer to the D950Core datasheet (*document number 42-1709*).

## 2 Pin Description

The following tables detail the ST18952 pin set. There is one table for each group of pins. The tables detail the pin name, type and a short description of the pin function.

Signal names have an overbar if they are active low, otherwise they are active high.

**Table 2.1 Direct I bus extension (35 pins)**

Pin name	Type	Description
IDE0-15	I/O	Instruction data extension bus.
IAE0-15	O	Instruction address extension bus.
$\overline{\text{IRDE}}$	O	I-extension bus read strobe. Active low.
$\overline{\text{IWRE}}$	O	I-extension bus write strobe. Active low.
$\overline{\text{IBSE}}$	O	I-extension bus strobe. Active low.

**Table 2.2 Direct Y bus extension (35 pins)**

Pin name	Type	Description
YDE0-15	I/O	Y data extension bus.
YAE0-15	O	Y address extension bus.
$\overline{\text{YRDE}}$	O	Y-extension bus read strobe. Active low.
$\overline{\text{YWRE}}$	O	Y-extension bus write strobe. Active low.
$\overline{\text{YBSE}}$	O	Y-extension bus strobe. Active low.

**Table 2.3 Direct X bus extension / bus extension through bus switch unit (39 pins)**

Pin name	Type	Description
ED_XDE0-15	I/O	Multiplexed input/output. Bus switch unit extension data bus or X data extension bus.
EA_XAE0-15	O	Multiplexed output. Bus switch unit extension address bus or X address extension bus.
$\overline{\text{EIRD}}$	O	BSU $\overline{\text{EIRD}}$ output
$\overline{\text{EIWR}}$	O	BSU $\overline{\text{EIWR}}$ output
$\overline{\text{XBSE}}$	O	X extension bus data strobe
$\overline{\text{EYRD}}$	O	BSU $\overline{\text{EYRD}}$ output
$\overline{\text{EYWR}}$	O	BSU $\overline{\text{EYWR}}$ output
$\overline{\text{XRDE\_EXRD}}$	O	Multiplexed output. X-extension bus read strobe ( $\overline{\text{XRDE}}$ ) or BSU $\overline{\text{EXRD}}$ output.
$\overline{\text{XWRE\_EXWR}}$	O	Multiplexed output. X-extension bus write strobe ( $\overline{\text{XWRE}}$ ) or BSU $\overline{\text{EXWR}}$ output.

**Table 2.4 General purpose parallel port / Interrupt requests (8 pins)**

Pin name	Type	Description
P_ $\overline{\text{ITRQ}}$ 0-7	I/O	Multiplexed input/output. Parallel port I/O or external interrupt request ( $\overline{\text{ITRQ}}$ ).

**Table 2.5 Clocks (6 pins)**

Pin name	Type	Description
EXTAL	I	Oscillator input.
XTAL	O	Oscillator output. Nominal oscillator frequency is 27 MHz.
MCLK	I	Master clock input (use of external clock generator).
CLK_MODE	I	Clock mode select input. When low the oscillator and internal PLL are enabled. The 950 receives its Master clock from the PLL at 5 times the oscillator frequency. When high the PLL is disabled. The D950 receives its master clock from MCLK.
INCYCLE	O	Instruction cycle. Asserted high for 1 CLKOUT cycle at the beginning of instruction cycle.
CLKOUT	O	Output clock (at input clock/2 frequency).

**Table 2.6 Bus control (3 pins)**

Pin name	Type	Description
$\overline{\text{DTACK}}$	I	Data transfer acknowledge input. Active low. It is combined in a OR gate with BSU $\overline{\text{DTACK}}$ output in order to generate the $\overline{\text{DTACK}}$ signal for the D950Core. It controls extension of bus cycles by insertion of wait-states when using external memory either through Bus-switch or direct extension.
$\overline{\text{HOLD}}$	I	External Bus Hold request input. Active low.
$\overline{\text{HOLDACK}}$	O	Hold acknowledge output. Active low.

**Table 2.7 D950Core control (10 pins)**

Pin name	Type	Description
$\overline{\text{RESET}}$	I	Reset input. Active low. Initializes the 950-Core to the RESET state.
$\overline{\text{RESET\_OUT}}$	O	Reset output (system reset). Active low.
$\overline{\text{LP}}$	I	Low power input. Active low.
$\overline{\text{LPACK}}$	O	Low power acknowledge. Active low.
MODE	I	Mode selection for Reset. 0: forces reset address to 0x0000 1: forces reset address to 0xFC00
IRD_WR	O	Program memory read/write indicator.
VCI	O	Valid coprocessor instruction output. Asserted low during the instruction cycle preceding a coprocessor instruction to enable operation of an external coprocessor.
STACKX	O	X stack read/write instruction flag.
STACKY	O	Y stack read/write instruction flag.
$\overline{\text{IDT\_EN}}$	I	I-bus direct transfer enable (to BSU peripheral). Active low.

**Table 2.8 Emulation unit (7 pins)**

Pin name	Type	Description
$\overline{\text{ERQ}}$	I	Emulator Halt Request. Active low. Halts program execution and enters emulation mode.
IDLE	O	Output flag asserted high when the processor is halted due to an emulation halt request or a valid breakpoint condition. Asserted low when the processor is not Halted or during execution of an instruction under control of the emulator.
HALTACK	O	Halt acknowledge. Active high. Asserted high when the processor is halted from an Emulator Halt request or when a valid Breakpoint condition is met.
SNAP	O	Snapshot. Active high. Asserted high when executing an instruction if Snapshot mode is enabled.
AXEBP	I	Enable breakpoint on X address bus when high.
AYEBP	I	Enable breakpoint on Y address bus when high.
AIEBP_SCAN_EN	I	Enable breakpoint on I address bus when high.

**Table 2.9 JTAG IEEE 1149.1 test access port (5 pins)**

Pin name	Type	Description
TDI	I	Test data input.
TCK	I	Test clock.
TMS	I	Test mode select.
TDO	O	Test data output.
$\overline{\text{TRST}}$	I	Test logic reset (also used for Emulator module). Active low.

**Table 2.10 DMA controller / Serial input/output (8 pins)**

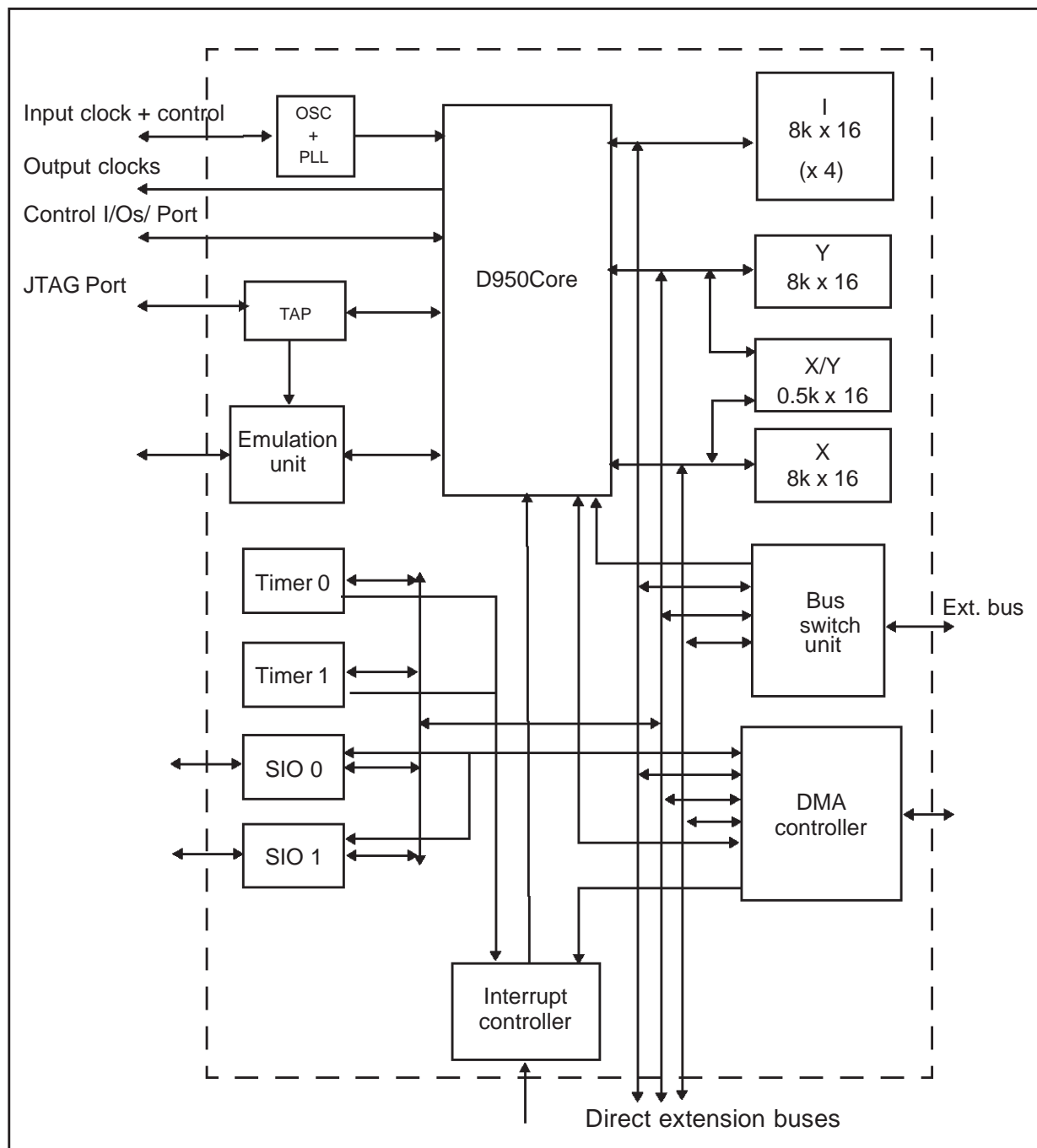
Pin name	Type	Description
$\overline{\text{DMARQ0}}/\text{SRD0}$	I	DMA request 0 or SIO0 Receive data
$\overline{\text{DMARQ1}}/\text{SCK0}$	I/O	DMA request 1 or SIO0 Data clock
$\overline{\text{DMARQ2}}/\text{SRD1}$	I	DMA request 2 or SIO1 Receive data
$\overline{\text{DMARQ3}}/\text{SCK1}$	I/O	DMA request 3 or SIO1 Data clock
$\overline{\text{DMACK0}}/\text{STD0}$	O	DMA acknowledge 0 or SIO0 Transmit data
$\overline{\text{DMACK1}}/\text{SFS0}$	I/O	DMA acknowledge 1 or SIO0 Frame synchronizer
$\overline{\text{DMACK2}}/\text{STD1}$	O	DMA acknowledge 2 or SIO1 Transmit data
$\overline{\text{DMACK3}}/\text{SFS1}$	I/O	DMA acknowledge 3 or SIO1 Frame synchronizer



### 3 Functional Overview

A block diagram of the ST18952 is shown below. The modules that comprise the ST18952 are outlined in this section and described in detail in the following sections.

**Figure 3.1 ST18952 block diagram**



### D950Core

The D950Core is a general purpose programmable 16-bit fixed point Digital Signal Processor Core. The main blocks of the D950Core include an arithmetic data calculation unit, a program control unit and an address calculation unit, able to manage up to 64k (program) and 128k (data) x 16-bit memory spaces.

### Memory

One 32 Kword and two 8 Kword single port memories are included on-chip:

- 32 Kword instruction memory on I space
- 8 Kword X-Data memory on X space
- 8 Kword Y-Data memory on Y space

One 512 word dual port memory is shared on X and Y spaces.

Memory can be extended off-chip for all three spaces in two ways:

- 1: Directly - Accesses to program and data memories can be performed simultaneously. Insertion of wait-states is necessary in case of nominal frequency work.
- 2: Through the bus switch unit - Accesses to the different external spaces are multiplexed and wait-states are added.

### Bus switch unit

The bus switch unit (BSU) is a bi-directional switcher which switches the 3 internal buses (I, X and Y) to the external (E) bus.

### DMA controller

The DMA controller manages data transfer between memories and external peripherals. There are four independent DMA channels. Transfers can occur on X/Y/I spaces (simultaneous transfers on X and Y spaces).

### Interrupt controller

The interrupt controller (ITC) can manage up to eight external interrupts. Each source can be individually activated and programmed as edge or level triggered. A 'pending interrupt' flag displays the source waiting for service (this flag is writable to allow a software interrupt capability). The priority of interrupts is programmable.

### Timers

There are two timer (TIM) units on the ST18952. The timers enable interrupts to be generated after predefined periods of time.

## **SIO**

There are two synchronous serial input/output (SIO) ports enable a link to serial devices such as codecs and to other processors.

## **Oscillator and PLL**

A 27 MHz crystal can be used with the on-chip oscillator and PLL to provide the D950Core clock input. The PLL module multiplies the oscillator frequency by a factor of 10 and generates a 270 MHz signal. A programmable divider is connected to the PLL output to generate the D950 clock input. The division range is 2 to 256.

## **Emulation unit and JTAG IEEE 1149.1 test access port**

The emulation unit (EMU) performs functions dedicated to emulation and test through the external IEEE 1149.1 JTAG interface.

## 4 D950Core

The D950Core is composed of three main units.

- Data Calculation Unit (DCU)
- Address Calculation Unit (ACU)
- Program Control Unit (PCU)

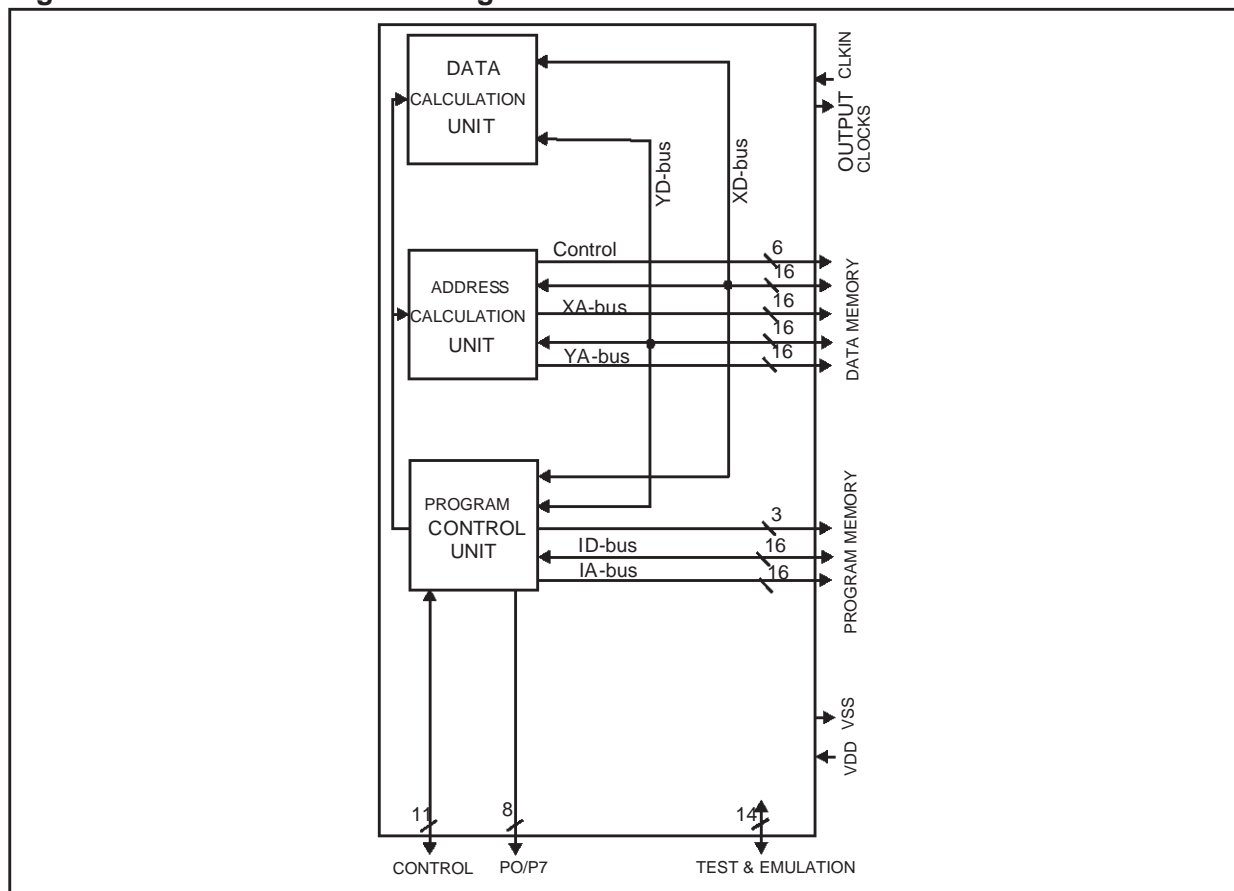
For full details of the D950 DSP core refer to the D950Core datasheet (*document number 42-1709*).

These units are organized in an HARVARD architecture around three bidirectional 16-bit buses, two for data and one for instruction. Each of these buses is dedicated to an uni-directional 16-bit address bus (XA/YA/IA).

An 8-bit general purpose parallel port (P0-P7) can be configured (input or output). A test condition is attached to each bit to test external events.

The D950Core is controlled through interface pins related to interrupt, low-power mode, reset and miscellaneous functions.

**Figure 4.1 D950Core block diagram**



Data buses (XD/YD and XA/YA) are provided externally. Data memories (RAM, ROM) and peripherals registers are mapped in these address spaces.

Instruction bus (ID/IA) gives access to program memory (RAM, ROM). Each bus has its own control interface.

**Table 4.1 Data/instruction bus and corresponding address bus.**

Data/instruction bus			Corresponding address bus		
XD	Bidirectional	16-bit	XA	Unidirectional	16-bit
YD	Bidirectional	16-bit	YA	Unidirectional	16-bit
ID	Bidirectional	16-bit	IA	Unidirectional	16-bit

Depending on the calculation mode, the D950Core DCU computes operands which can be considered as 16 or 32-bit, signed or unsigned. It includes a 16 x 16-bit parallel multiplier able to implement MAC-based functions in one cycle per MAC. A 40-bit arithmetic and logic unit, including an 8-bit extension for arithmetic operations, implements a wide range of arithmetic and logic functions. A 40-bit barrel shifter unit and a bit manipulation unit are included.

The tables below illustrate the different types of word length and word format available for manipulation.

**Table 4.2 Summary of possible word lengths and formats**

0	1-bit word
7 0	8-bit word
15 0	16-bit word signed / unsigned
31 16 15 0	32-bit word signed / unsigned
39 32 31 16 15 0	40-bit word signed / unsigned

Format		Minimum	Maximum
fractional	signed	- 1	+ 0.999969481
	unsigned	0	+ 0.99996948
integer	signed	- 32768	+ 32767
	unsigned	0	+ 65535

## 4.1 D950Core registers

Register	Function
<b>BX</b>	Modulo base address for X-memory space
<b>MX</b>	Modulo maximum address for X-memory space
<b>BY</b>	Modulo base address for Y-memory space
<b>MY</b>	Modulo maximum address for Y-memory space
<b>POR</b>	Port Output Register - 8LSB are significant, 8MSB are undefined when reading
<b>PIR</b>	Port Input Register
<b>PCDR</b>	Port Control Direction Register
<b>PCSR</b>	Port Control Sensitivity Register

### PCDR

The Port Control Direction register defines the data direction of each port pin. After reset, PCDR default value is 0 (Port pins are configured as inputs)

15	14	13	12	11	10	9	8	7	6	5	4	3	2	1	0
-	-	-	-	-	-	-	-	P7D	P6D	P5D	P4D	P3D	P2D	P1D	P0D

Bit	Function
PiD	Port pin direction 0: Input port pin (def.) 1: Output port pin
Bits 8 - 15	RESERVED (read: undefined, write: don't care)

### PCSR

The Port Control Sensitivity register defines sensitivity of each port pin. After reset, PCSR default value is 0 (Port pins are configured as level-sensitive).

15	14	13	12	11	10	9	8	7	6	5	4	3	2	1	0
-	-	-	-	-	-	-	-	P7S	P6S	P5S	P4S	P3S	P2S	P1S	P0S

Bit	Function
PiS	Port pin sensitivity 0: Level sensitive (def.) 1: Edge sensitive
Bits 8 - 15	RESERVED (read: undefined, write: don't care)

## 5 Memory

### 5.1 Internal memory resource

One 32 Kword and two 8 Kword single port memories are included on-chip:

- Instruction memory on I space from address 0 to 32767 (32 K)
- X-Data memory on X space from address 0 to 8191 (8 K)
- Y-Data memory on Y space from address 0 to 8191 (8 K)

One 512 word dual port memory is shared on X and Y spaces, from addresses 8192 (8 K) to 8703 (8.5K). This is represented graphically below.

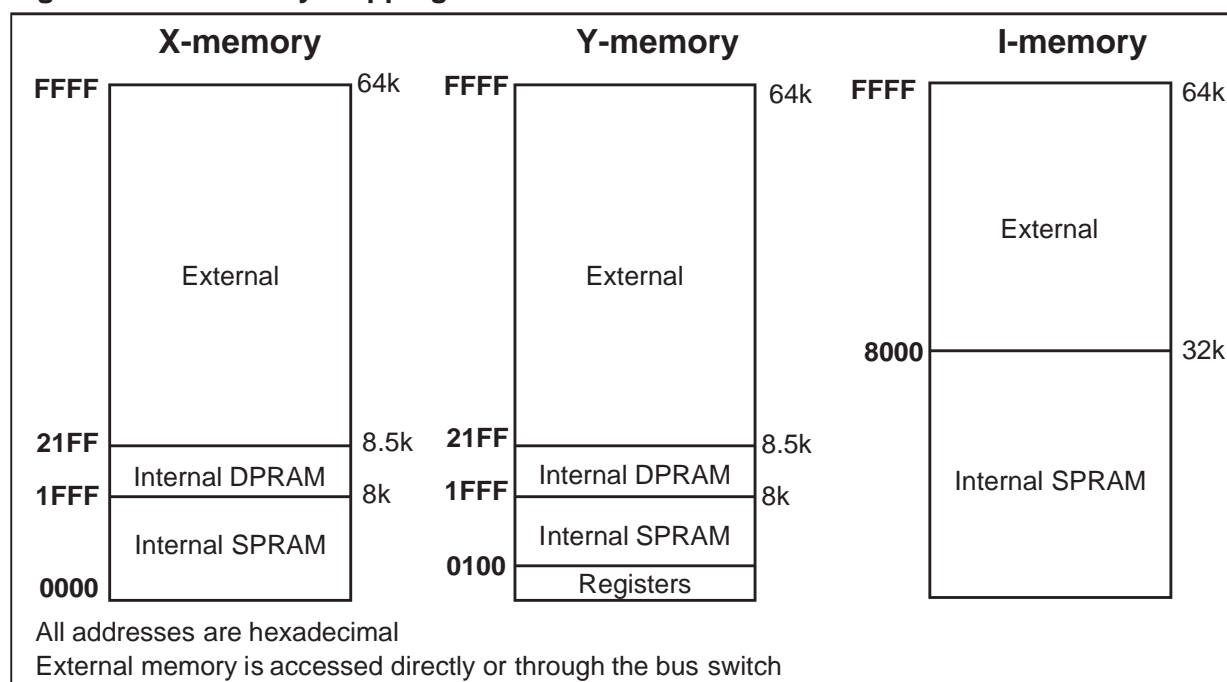
Note: the first 256 addresses of the Y space are reserved for the D950 memory-mapped registers and for on-chip memory mapped peripherals.

Memory can be extended off-chip for all three spaces in two ways:

- 1: Directly - Accesses to program and data memories can be performed simultaneously. Insertion of wait-states is necessary in case of nominal frequency work.
- 2: Through the bus switch unit - Accesses to the different external spaces are multiplexed and wait-states are added.

The specific details on the operation of the BSU are described separately in "Bus Switch Unit" on page 18.

**Figure 5.1 Memory mapping**



## 5.2 Direct bus extension

### Direct extension for I-memory

The internal program memory is used from address 0 to 32767 (32 K). Note, no detection is provided when an internal space is declared as an external one for the BSU.

The I-bus direct transfer enable signal ( $\overline{\text{IDT\_EN}}$ ) determines whether an access is made directly to external memory or via the BSU. If reset occurs with the MODE signal set to '1' (select reset address to xFC00), then

- if  $\overline{\text{IDT\_EN}}$  input = 0: access to external memory is through the BSU
- if  $\overline{\text{IDT\_EN}}$  input = 1: access to direct external memory space

$\overline{\text{IAE}}/\overline{\text{IBSE}}/\overline{\text{IRDE}}/\overline{\text{IWRE}}$  are always driven except in the case of an external HOLD request.

Note: an external coprocessor will work only when executing program in the external space.

IDE bus is an output only when a direct external write is detected. IDE bus is an input in the case of:

- an external memory read
- DMA (write) transfers between an external peripheral and internal memory

### Direct extension for X-memory

The internal X memory is used from address 0 to 8703 (8.5 K). It is extended with external memory from address 8704 (8.5K) to 65535 (64K) with the XE bus extension.

The direct extension is managed by the bus switch unit. When the EN\_X bit of the BSU XER register (see "XER0/1: X-memory space control registers" on page 20) is set to '0', it generates only software wait-states and access is direct. If the EN\_X bit is set to '1', data goes via the BSU.

X extension and bus switch share the same I/O's.

### Direct extension for Y-memory

The internal Y memory is used from address 0 to 8703 (8.5 K). It is extended with external memory from address 8704 (8.5 K) to 65535 (64 K) with the YE bus extension.

Address 0 to 256 of the Y space are reserved for memory mapped registers.

Note: The BSU and X direct extension share the same I/O, therefore extension of IE through the BSU is not possible when direct extension is selected for X/Y. Some combinations of the EN\_I, EN\_X and EN\_Y bits of the BSU control registers IER/XER/YER are not allowed, as shown in Table 5.1 below.



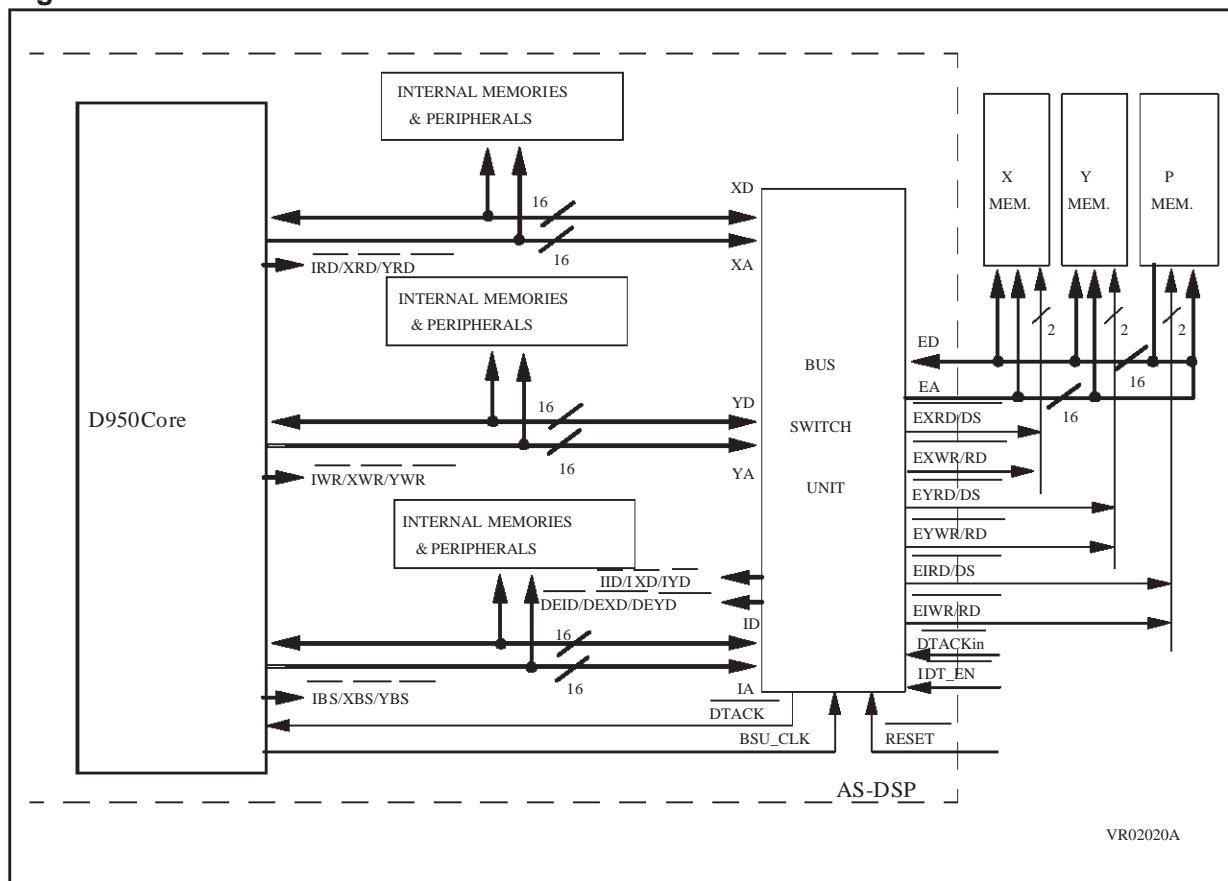
Table 5.1 Possible BSU register settings

EN_I	EN_X	EN_Y	Operation	Allowed or forbidden
1	1	1	Exchanges enabled on I/X/Y spaces	Allowed
1	1	0	Exchanges enabled on I and X spaces Only $\overline{DTACK}$ generation on Y space	Allowed
1	0	1	Exchanges enabled on I and Y spaces Only $\overline{DTACK}$ generation on X space	Forbidden (X direct & I/Y through BSU)
1	0	0	Exchanges enabled on I space Only $\overline{DTACK}$ generation on X and Y spaces	Forbidden (X direct & I through BSU)
0	1	1	Exchanges enabled on X and Y spaces Only $\overline{DTACK}$ generation on I space	Allowed
0	1	0	Exchanges enabled on X space Only $\overline{DTACK}$ generation on I and Y spaces	Allowed
0	0	1	Exchanges enabled on Y space Only $\overline{DTACK}$ generation on I and X spaces	Forbidden (X direct & Y through BSU)
0	0	0	No exchange Only $\overline{DTACK}$ generation on I, X and Y spaces	Allowed

## 6 Bus Switch Unit

The three memory spaces can be extended off-chip through the bus switch unit (BSU) peripheral. The figure below shows the layout of the D950Core BSU.

**Figure 6.1 D950Core Bus Switch Unit**



### 6.1 BSU operation

The BSU recognizes a bus cycle when a bus extension strobe ( $\overline{IBSE}$ ,  $\overline{XBSE}$  or  $\overline{YBSE}$ ) goes active. The BSU decodes the address value to determine if an external memory access is requested on the I, X or Y-bus and generates the appropriate signals on the external bus side. The BSU generates software wait-states, depending on the setting of the control register.

If more than one external memory access is attempted at one instruction cycle, they are serviced sequentially in the following order: I-bus, X-bus, Y-bus.

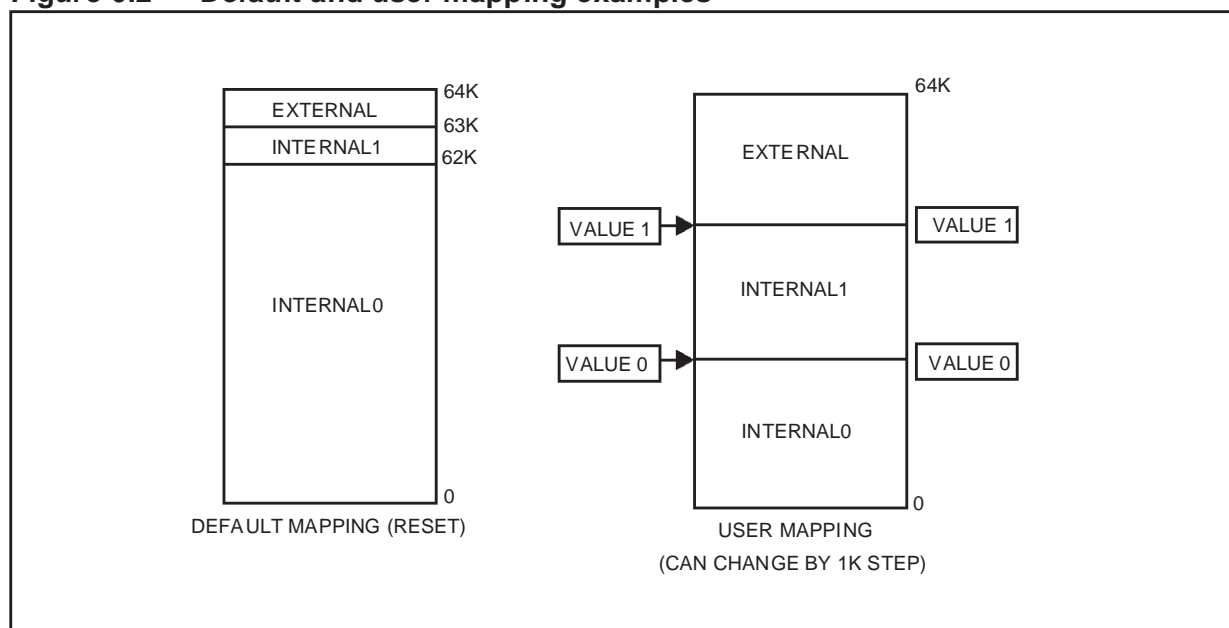
Each external access requires one basic instruction clock cycle (2 CLKIN cycles), extended by, at least, one wait-state (2 CLKIN cycles). The number of wait-states can be extended, either by software with the BSU control registers (see Section 6.2), or by hardware with the DTACK input signal.

## 6.2 BSU control registers

The BSU is programmed by six control registers mapped in the Y-memory space. These define the type of memory used, internal to external boundary address crossing, exchange type (external direct or through the BSU) and software wait-states count.

There are 2 registers per memory space, making it possible to define 2 sets of boundaries and wait state numbers.

**Figure 6.2** Default and user mapping examples



The BSU control registers include a reference address on bits 4 to 9, where the internal/external memory boundary value is stored (see Figure 6.2), and software wait-states count on bits 0 to 3, allowing up to 16 wait-states.

External addressing is recognized by comparing these address bits for each valid address from IA, XA and YA, to the reference address contained into the corresponding control register.

If the address is greater or equal to the reference value, an external access proceeds.

In the following register descriptions, '-' means RESERVED (read: 0, write: don't care).

## XER0/1: X-memory space control registers

After reset, XER0/1 default values are 0x83EF/0x83FF

15	14	13	12	11	10	9	8	7	6	5	4	3	2	1	0
IM	EN_X	-	-	-	-	XA15	XA14	XA13	XA12	XA11	XA10	W3	W2	W1	W0

Bit	Function
W3:0	Wait state count (1 to 16) for off-chip access (X-memory space)
XA15:10	X-memory space map for boundary on-chip or off-chip
EN_X	Enable for X-space data exchanges
IM	Intel/Motorola 0: Motorola type for memories 1: Intel type for memories (default)

## YER0/1: Y-memory space control registers

After reset, YER0/1 default values are 0x83EF/0x83FFI

15	14	13	12	11	10	9	8	7	6	5	4	3	2	1	0
IM	EN_Y	-	-	-	-	YA15	YA14	YA13	YA12	YA11	YA10	W3	W2	W1	W0

Bit	Function
W3:0	Wait state count (1 to 16) for off-chip access (Y-memory space)
YA15:10	Y-memory space map for boundary on-chip or off-chip
EN_Y	Enable for Y-space data exchanges
IM	Intel/Motorola 0: Motorola type for memories 1: Intel type for memories (default)

## IER0/1: Instruction memory control registers

After reset, IER0/1 default values are 0x83EF/0x83FF or 0xC3EF/0xC3FF

(the EN\_I value depends on the  $\overline{\text{IDT\_EN}}$  input value)

15	14	13	12	11	10	9	8	7	6	5	4	3	2	1	0
IM	EN_I	-	-	-	-	IA15	IA14	IA13	IA12	IA11	IA10	W3	W2	W1	W0

Bit	Function
W3:0	Wait state count (1 to 16) for off-chip access (I-memory space)
IA15:10	I-memory space map for boundary on-chip or off-chip
EN_I	Enable for I-space data exchanges
IM	Intel/Motorola 0: Motorola type for memories 1: Intel type for memories (default)

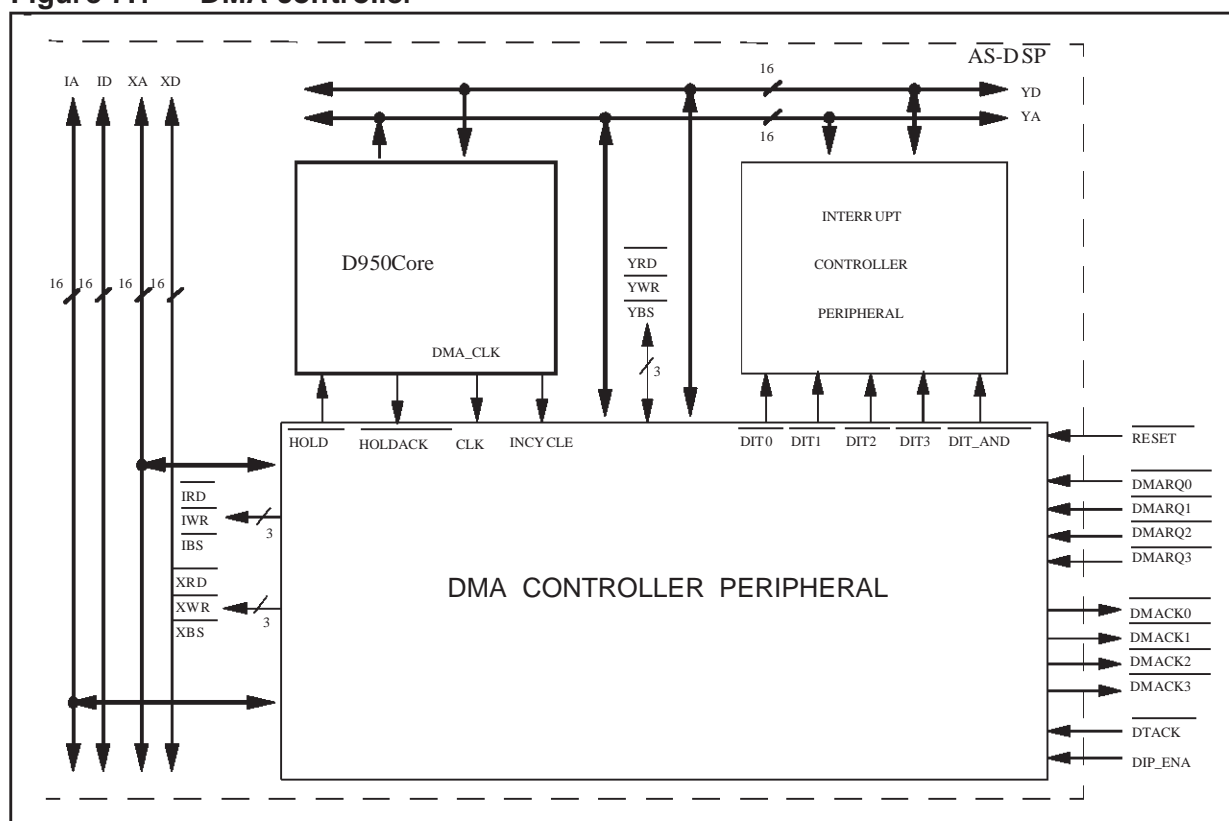
## 7 DMA Controller

The DMA controller manages data transfer between memories and external peripherals and has the following features:

- four independent DMA channels
- transfers on X / Y / I spaces (simultaneous transfers on X and Y spaces)
- cycle stealing operation:
  - 3 cycles for a single data transfer (+1 cycle for transfers on I space)
  - (n+2) cycles for an n-data block transfer (+1 cycle for transfers on I space)
- each channel has:
  - 3 signals: request ( $\overline{\text{DMARQ}}$ ), acknowledge ( $\overline{\text{DMACK}}$ ), interrupt request ( $\overline{\text{DIT}}$ )
  - 4x16 bit registers for block transfer facilities
- fixed priority between the four channels (highest channel 0, lowest channel 3)

The DMA controller  $\overline{\text{DMARQ0-3}}$  inputs and  $\overline{\text{DMACK0-3}}$  outputs are available as primary inputs, in the case of SIO inhibition. This is set by the DMAR register (see "DMAR: DMA management register" on page 44).

Figure 7.1 DMA controller



## 7.1 DMA operation

The DMA controller interface contains four independent channels allowing data transfer on I-memory space and simultaneous data transfer on X and Y-memory spaces. When requests to transfer data on the same bus occur at the same time on different channels, the requests are concatenated to be acknowledged during the same transfer according to fixed priority. Channel 0 has the highest priority ranging to channel 3 with the lowest priority.

The DMA transfer is based on a DSP cycle stealing operation:

- DMA controller generates a 'hold request'.
- The core sends back a 'hold acknowledge' to the DMA controller and enters the hold state (bus released).
- The DMA controller manages the transfer and enters its idle state at the end of the transfer, until reception of a new DMA request. The 'hold request' signal is removed.

The data transfer duration is  $n+2$  cycles, split into:

- One cycle inserted at the beginning of the transfer when bus controls are released by the D950Core,  $n$  cycles for the number of data words to be transferred.
- Another cycle is inserted at the end of the transfer when bus controls are released by the DMA controller.

Single or block data can be transferred. The DMA request signal (DMARQ) can be either edge (single) or level (block) sensitive. Data blocks can be transferred one data at a time using an edge sensitive request signal.

A double buffering mechanism is available to deal with data blocks requiring the allocation of  $2N$  addresses for the transfer of an  $N$  data block.

An interrupt can be used to warn AS-DSP that a predefined number of data have been transferred and are ready to be processed. Interrupt requests are sent from the DMA controller to the interrupt controller. The selected channels must be edge sensitive and the user has to define the proper priority.

## 7.2 DMA registers

### Address registers

Two 16-bit registers (unsigned) are dedicated per channel for address transfer:

- DIA: initial address. Contains the initial address of the selected address bus (see DBC-bit of DGC register).
- DCA: current address. Contains the value to be transferred to the selected address bus (see DBC-bit of DGC register) during the next transfer. The different DCA values are:

Reset	DAI	DLA	DCC = 0	DCA(n+1)
1	X	X	X	0
0	0	X	X	DCA(n)
0	1	0	X	DCA(n) + 1
0	1	1	0	DCA(n) + 1
0	1	1	1	DIA

Note: See "DAIC: Address/interrupt control register" on page 24 for DAI and DLA definitions

### Counting registers

Two 16-bit registers (unsigned) per channel are dedicated for count transfer.

For a transfer of an N data block, DIC and DCC registers have to be loaded with N-1.

When DCC content is 0 (valid transfer count), it is loaded with DIC content for the next transfer.

- DIC: initial count. Contains the total number of transfers of the entire block
- DCC: current count. Contains the remaining number of transfers required to fill the entire block. It is decremented after each transfer. The DCC values are:

Reset	DCC = 0	DCA(n+1)
1	X	0
0	0	DCA(n) - 1
0	1	DIC

### Control registers

Three 16-bit control registers are dedicated to the DMA controller interface. These are the general control register, the address interrupt control register and the mask sensitivity control register. They are detailed below.

**DGC: General control register**

Three bits are dedicated for each DMA channel (bits 0 to 2 to channel 0, bits 4 to 6 to channel 1, bits 8 to 10 to channel 2, bits 12 to 14 to channel 3).

(Address = 0040, Reset = 0000h, Read/Write).

15	14	13	12	11	10	9	8	7	6	5	4	3	2	1	0
-	DRW3	DBC1	DBC0	-	DRW2	DBC1	DBC0	-	DRW1	DBC1	DBC0	-	DRW0	DBC1	DBC0

Bit	Function
DBC1/DBC0	Bus choice for data transfer 00: X-bus (default) 01: Y-bus 10: I-bus 11: reserved
DRWi	Data transfer direction 0: Write access (default) 1: Read access

**DAIC: Address/interrupt control register**

Four bits are dedicated for each DMA channel (bits 0 to 3 to channel 0, bits 4 to 7 to channel 1, bits 8 to 11 to channel 2, bits 12 to 15 to channel 3).

(Address = 0042, Reset = 0000h, Read/Write)

15	14	13	12	11	10	9	8	7	6	5	4	3	2	1	0
DAI3	DLA3	DIP3	DIE3	DAI2	DLA2	DIP2	DIE2	DAI1	DLA1	DIP1	DIE1	DAI0	DLA0	DIP0	DIE0

Bit	Function
DIEi	Enable interrupt 0: Interrupt request output associated to channel i is masked (default) 1: Interrupt request output associated to channel i is not masked
DIPi	Interrupt pending 0: No pending interrupt on channel i (default) 1: Pending interrupt on channel i (enabled if DIP_ENA input is high)
DLAi:	Load address 0: DCAi content incremented after each data transfer (default) 1: DCAi content loaded with DIA content if DCCi value is 0, or DCAi content incremented if DCCi value is not equal to 0
DAIi	Address increment 0: DCAi content unchanged (default) 1: DCAi content modified according to DLAi state



### DMS: Mask sensitivity control register

Two bits are dedicated to each DMA channel (bits 0 and 1 to channel 0, bits 4 and 5 to channel 1, bits 8 and 9 to channel 2, bits 12 and 13 to channel 3).

(Address = 0041, Reset = x3333h, Read/Write)

15	14	13	12	11	10	9	8	7	6	5	4	3	2	1	0
-	-	DSE3	DMK3	-	-	DSE2	DMK2	-	-	DSE1	DMK1	-	-	DSE0	DMK0

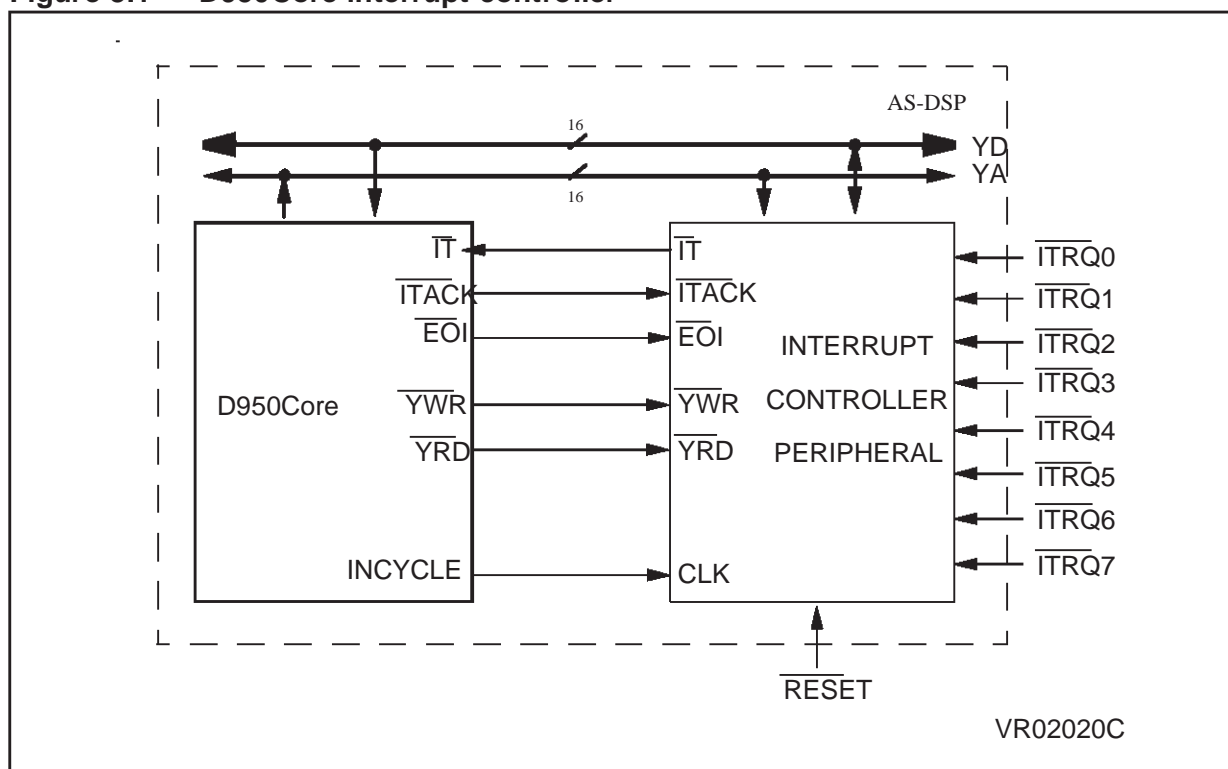
Bit	Function
DMKi	DMA mask 0: DMA channel not masked 1: DMA channel masked (default)
DSEi	DMA sensitivity 0: Low level 1: Falling edge (default)

## 8 Interrupt Controller

The interrupt controller (ITC) can manage up to eight external interrupts. The interrupt controller has the following features:

- 8 independent interrupt sources, each one associated with:
  - 16-bit programmable interrupt vector - provides the address of the first instruction of the interrupt routine associated with the source.
  - mask bit, enabling each source to be activated or deactivated
  - sensitivity bit (edge/level)
  - 2-bit programmable priority level
  - 'pending interrupt' flag - displays the source waiting for service. This flag is writable to allow a software interrupt capability.
- Interrupt processing whenever its priority level is higher than the current priority level.
- Nested of up to 4 interrupts(the stack content is accessible in read or write).

**Figure 8.1 D950Core interrupt controller**



The interrupt controller  $\overline{ITRQ}$  inputs can be connected to external interrupt requests or to internal peripheral requests, this is dependent on the setting of the port/interrupt control (PICR) system register, see Table on page 43 for details. The interrupt controller receives interrupt

requests from primary inputs P\_ $\overline{\text{ITRQ0-7}}$  on its inputs  $\overline{\text{ITRQ0-7}}$  when bit 0-7 of the PICR register is set to '0'. Otherwise, the  $\overline{\text{ITRQ0-7}}$  input is connected to internal peripheral interrupt request output. Each input can be programmed independently.

## 8.1 Interrupt controller registers

The interrupt controller interface is controlled by status and control registers mapped into the Y-memory space. Status registers are not write-protected.

### IVO0-7: Interrupt vector0-7 address registers

The IVO0-7 registers (one per external interrupt) contain the first address of the interrupt routine and are associated with the respective interrupt input  $\overline{\text{ITRQ0-7}}$ . The register content of the interrupt under service is provided on the YD bus during the cycle following the  $\overline{\text{ITACK}}$  falling edge.

(Address = 0020-0027, No reset value, Read/Write)

15	14	13	12	11	10	9	8	7	6	5	4	3	2	1	0
IVi 15	IVi 14	IVi 13	IVi 12	IVi 11	IVi 10	IVi 9	IVi 8	IVi 7	IVi 6	IVi 5	IVi 4	IVi 3	IVi 2	IVi 1	IVi 0

### ICR: Interrupt control register

The ICR register displays the current priority level and up to four stacked priority levels.

(Address = 0028, Reset = 000Bh, Read/Write))

15	14	13	12	11	10	9	8	7	6	5	4	3	2	1	0
SPL4 (2:0)			SPL3 (2:0)			SPL2 (2:0)			SPL1 (2:0)			ES	CPL (2:0)		

Bit	Function
CPL	Current priority level (-1, 0, 1, 2 or 3) (default is 011)
ES	Empty stack flag 0: stack is used 1: stack is not used (default)
SPL1	3-bit 1st stacked priority level
SPL2	3-bit 2nd stacked priority level
SPL3	3-bit 3rd stacked priority level
SPL4	3-bit 4th stacked priority level

The current priority levels available are shown in below.

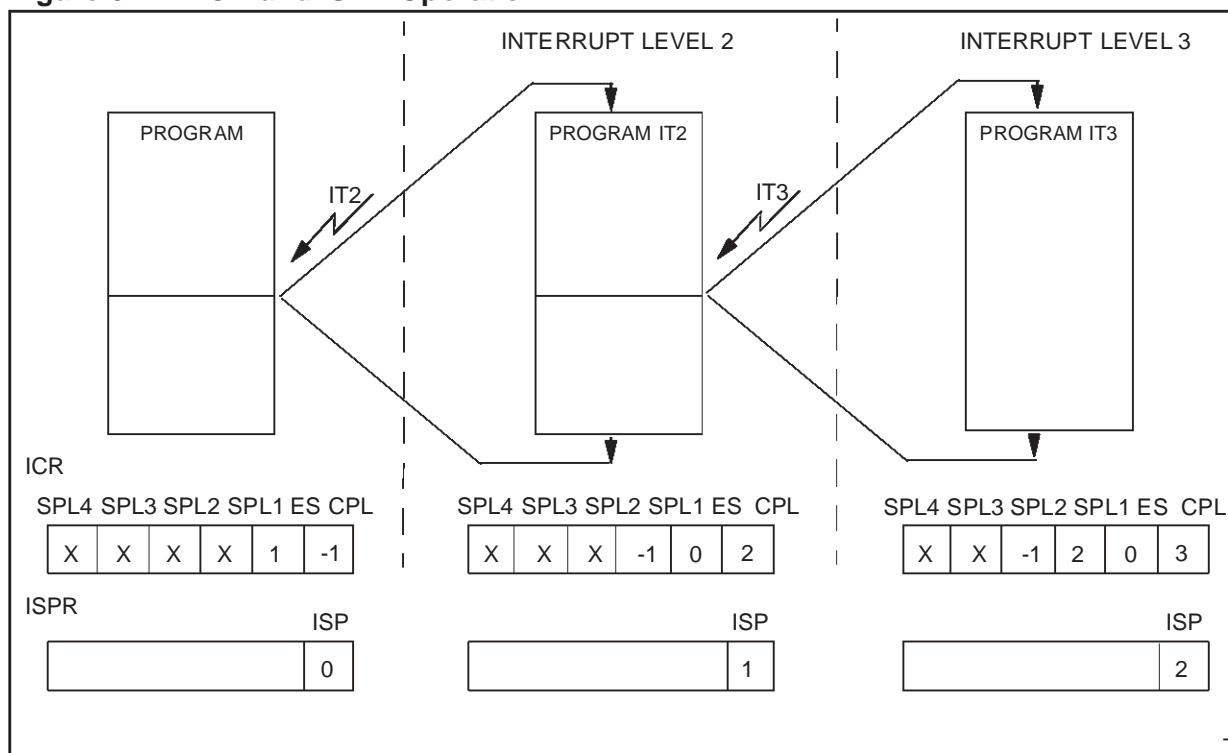
Priority level	Coding	Acceptable IT level priority
- 1	111	0,1,2,3
0	000	1,2,3
1	001	2,3
2	010	3
3	011	
Reserved	100 - 110	

An interrupt request is acknowledged when its priority level (coded in the IPR register) is higher than the current priority level. In this case, the current priority level becomes the interrupt priority level and the previous current priority level is pushed onto the stack and displayed as stack priority level (SPL)1.

The process is repeated over a range of four interrupt requests and the four previous current stack priority levels are displayed on SPL1, SPL2, SPL3 and SPL4. If less than four interrupts are pushed onto the stack, the unused SPL words are set to '000'. At the end of the interrupt routine, the priority levels are popped from the stack.

The empty stack (ES) flag is used to indicate whether the stack is used or not. The ISP word of the ISPR register indicates the depth of the stack (see below).

**Figure 8.2 ICR and ISPR Operation**



**IMR: Interrupt mask/sensitivity register**

(Address = 0029, Reset = 5555h, Read/Write)

15	14	13	12	11	10	9	8	7	6	5	4	3	2	1	0
IS7	IM7	IS6	IM6	IS5	IM5	IS4	IM4	IS3	IM3	IS2	IM2	IS1	IM1	IS0	IM0

Bit	Function
IM	Interrupt mask 0: Interrupt is not masked 1: Interrupt is masked (default)
IS	Sensitivity 0: $\overline{ITRQ}$ is active on a low level (default) 1: $\overline{ITRQ}$ is active on a falling edge

Each interrupt input  $\overline{ITRQ0-7}$  can be masked individually when the corresponding IM0-7 bit is set. In this case any activity on the  $\overline{ITRQ0-7}$  pin is ignored. All IM bits are set during DSP reset.

$\overline{ITRQ0-7}$  is active either on a low level when IS0-7 is low (by default on reset) or on a falling edge when IS0-7 is high.

When  $\overline{ITRQ0-7}$  is active on a low level, it must stay low until the  $\overline{ITACK}$  falling edge is sampled.

**IPR: Interrupt priority register**

(Address = 002A, Reset = 0000h, Read/Write)

15	14	13	12	11	10	9	8	7	6	5	4	3	2	1	0
IP7(1:0)		IP6(1:0)		IP5(1:0)		IP4(1:0)		IP3(1:0)		IP2(1:0)		IP1(1:0)		IP0(1:0)	

Bit	Function
IP	Interrupt priority level (0, 1, 2 or 3) (default is 0)

The IPR register contains the priority level of each  $\overline{ITRQ0-7}$  interrupt input. IP0-7 priority level is coded using two bits. The different values of IP are 0, 1, 2, 3 (0 lowest priority, 3 highest priority).

When two  $\overline{ITRQ}$  with the same priority level are requesting during the same cycle, the first acknowledged interrupt is the one corresponding to the lowest number (for example,  $\overline{ITRQ0}$  acknowledged prior to  $\overline{ITRQ3}$ ).

**ISPR: Interrupt stack pointer register**

(Address = 002B, Reset = 0000h, Read/Write)

15	14	13	12	11	10	9	8	7	6	5	4	3	2	1	0
-	-	-	-	-	-	-	-	-	-	-	-	-	ISP(2:0)		

Bit	Function
ISPR	Number of stacked priority levels (0, 1, 2 or 3)

Note: '-' is RESERVED (read: 0, write: don't care)

ISPR contains the number of stacked priority levels. If the ISPR value is directly written, the SPLi/CPL values are modified. So the ICR register content is no longer significant but the interrupt routine procedure is not affected. After reset, ISPR default value is 0

**ISR: Interrupt status register**

(Address = 002C, Reset = 0000h, Read/Write)

15	14	13	12	11	10	9	8	7	6	5	4	3	2	1	0
-	-	-	-	-	-	-	-	IPE7	IPE6	IPE5	IPE4	IPE3	IPE2	IPE1	IPE0

Bit	Function
IPE	Interrupt pending bit 0: Reset when interrupt request is acknowledged (default) 1: Set when interrupt request is recorded

Note: '-' is RESERVED (read: 0, write: don't care)

An interrupt pending (IPE) bit is associated with each interrupt input. IPE is set when the interrupt request is recorded and is reset when the interrupt request is acknowledged (ITACK falling edge).

When the user does not want to acknowledge any of the pending interrupt requests, the IPE flag of the CCR register must first be reset and then the ISR register set to "0000".

When only some pending interrupt requests need to be acknowledged, the IPE bits of the other interrupt inputs must be reset.

When the IPE bit is set by a direct register write an interrupt request will be generated irrespective of the state of the ITRQ pin.

When the mask (IM) bit is set, the corresponding IPE bit is reset.

## 9 Timers

There are two timer (TIM) units on the ST18952. The timers enable interrupts to be generated after predefined periods of time.

Each timer has the following features:

- 16 bits linear timer / 4 bits exponential prescaler
- counting between 16 bits “start value” and 16 bits “end value”
- counting period between 2 cycles and  $2^{32}$  cycles (50ns to 107s for a 40 MHz D950). Note, 1 cycle = 2 MCLK periods.
- 1 maskable interrupt request
- external counting clock input
- programmable functions:
  - external / internal clock
  - up / down counting
  - continue / stop modes
  - interrupt enable

When bit 4 of the PICR system register (see Table ) is set to ‘1’, TIM0 interrupt request output is connected to the  $\overline{\text{ITRQ4}}$  input of the interrupt controller. When bit 5 of the PICR register is set to ‘1’, TIM1 interrupt request output is connected to the  $\overline{\text{ITRQ5}}$  input of the interrupt controller. Refer to Chapter 8 for full details on the interrupt controller. After reset, the timers interrupt outputs are not connected.

Setting the timer enable (TEN) bit of the timer control (TCR) register to ‘1’ starts the timer.

### 9.1 Timer registers

#### TCR0-1: Timer control register

The timer control register (TCR) contains timer control information.

(Address = 0058/005C, Reset value = 0000 h, Read/Write)

15	14	13	12	11	10	9	8	7	6	5	4	3	2	1	0
(0)	(0)	(0)	(0)	(0)	(0)	TFP(3:0)			ITCM	TIE	TCS	TLE	TUD	TEN	

Bit	Function
TEN	Timer enable (bit 0) <ul style="list-style-type: none"> <li>• When TEN = ‘0’, the TIM is disabled.</li> <li>• When TEN = ‘1’, the TIM is started.</li> </ul> <p><b>Note:</b> the timer must be disabled before the timer registers are configured, otherwise its behavior is not guaranteed. Once configured it can be enabled.</p>

TUD	<p>Timer up/down counting (bit 1)</p> <ul style="list-style-type: none"> <li>When TUD = '0', the TIM is counting 'down' (reset value), i.e. the TCVR current value register content is decremented.</li> <li>When TUD = '1', the TIM is counting 'up', i.e. the TCVR current value register content is incremented.</li> </ul>										
TLE	<p>Timer load enable (bit 2)</p> <ul style="list-style-type: none"> <li>When the counter has reached its end value (TCVR = TEVR), TCVR is (re)loaded with TSVR ('start value') register content when TLE = '1'.</li> <li>When TLE = '0' (reset value), the next state of TCVR depends on the TCS bit.</li> </ul>										
TCS	<p>Timer continue/stop (bit 3)</p> <ul style="list-style-type: none"> <li>When TLE = '0' (no load) and when the counter has reached its end value (TCVR = TEVR), the TCVR content continues to increment/decrement according to TUD bit when TCS = '1' (continue mode).</li> <li>When TCS = '0' (stop mode - reset value), TCVR is stopped and content is frozen.</li> </ul>										
TIE	<p>Timer interrupt enable (bit 4)</p> <ul style="list-style-type: none"> <li>When the counter has reached its end value (TCVR = TEVR), an interrupt request is generated on <math>\overline{TIR}</math> output when TIE = '1'.</li> <li>When TIE = '0' (reset value), <math>\overline{TIR}</math> output is disabled (= '1').</li> </ul>										
TCM	<p>Timer clock mode (bit 5)</p> <ul style="list-style-type: none"> <li>When TCM = '0' (reset value), the TCVR clock is derived from internal MCLK clock according to TFP bits.</li> <li>When TCM = '1', the TCVR clock is the external ECLK clock.</li> </ul>										
TFP(3:0)	<p>Timer frequency prescaler (bits 9-4; TFP(3) = msb)</p> <ul style="list-style-type: none"> <li>When TCM = '0' (internal clock), the TCVR register clock is derived from the MCLK clock input by dividing MCLK by <math>2^{(2+TFP)}</math>.</li> </ul> <p>The coding is as follows:</p> <table style="width: 100%; border: none;"> <tr> <td style="width: 50%;">TFP = 0h</td> <td>prescaler by 2 (reset value) MCLK divided by 4</td> </tr> <tr> <td>TFP = 1h</td> <td>prescaler by 4 MCLK divided by 8</td> </tr> <tr> <td>TFP = 2h</td> <td>prescaler by 8 MCLK divided by 16</td> </tr> <tr> <td>...</td> <td></td> </tr> <tr> <td>TFP = Fh</td> <td>prescaler by <math>2^{16}</math> MCLK divided by <math>2^{17}</math></td> </tr> </table>	TFP = 0h	prescaler by 2 (reset value) MCLK divided by 4	TFP = 1h	prescaler by 4 MCLK divided by 8	TFP = 2h	prescaler by 8 MCLK divided by 16	...		TFP = Fh	prescaler by $2^{16}$ MCLK divided by $2^{17}$
TFP = 0h	prescaler by 2 (reset value) MCLK divided by 4										
TFP = 1h	prescaler by 4 MCLK divided by 8										
TFP = 2h	prescaler by 8 MCLK divided by 16										
...											
TFP = Fh	prescaler by $2^{16}$ MCLK divided by $2^{17}$										
Bits 10-11	RESERVED and must be written as '0'										
Bits 12-15	Unused and read as '0'										

### TSVR0-1: Timer start value register

(Address = 0059/005D, Reset value = 0000 h, Read/Write)

<b>15</b>	<b>14</b>	<b>13</b>	<b>12</b>	<b>11</b>	<b>10</b>	<b>9</b>	<b>8</b>	<b>7</b>	<b>6</b>	<b>5</b>	<b>4</b>	<b>3</b>	<b>2</b>	<b>1</b>	<b>0</b>
TSV 15	TSV 14	TSV 13	TSV 12	TSV 11	TSV 10	TSV 9	TSV 8	TSV 7	TSV 6	TSV 5	TSV 4	TSV 3	TSV 2	TSV 1	TSV 0

Bit	Function
TSV(15:0)	Timer start value (bits15-0, TSV15 is msb)



TSVR contains the data to be transferred to the TCVR current value register when:

- 1: TEN = '1' (TIM enable)  
 TLE = '1' (TIM load enable)  
 TCVR = TEVR (count period finished)  
 TCS = '1' (stop mode disabled).
- 2: First counting clock rising edge after timer start (timer starts on rising edge of TEN ).???

### TEVR0-1: Timer end value register

(Address = 005A/005E, Reset value = 0000 h, Read/Write))

15	14	13	12	11	10	9	8	7	6	5	4	3	2	1	0
TEV 15	TEV 14	TEV 13	TEV 12	TEV 11	TEV 10	TEV 9	TEV 8	TEV 7	TEV 6	TEV 5	TEV 4	TEV 3	TEV 2	TEV 1	TEV 0

Bit	Function
TEV(15:0)	Timer end value (bits15-0 - TEV(15) = msb)

TEVR contains the data to be compared to the TCVR current value register.

### TCVR0-1: Timer current value register

(Address = 005B/005F, Reset value = 0000 h, Read only)

15	14	13	12	11	10	9	8	7	6	5	4	3	2	1	0
TCV 15	TCV 14	TCV 13	TCV 12	TCV 11	TCV 10	TCV 9	TCV 8	TCV 7	TCV 6	TCV 5	TCV 4	TCV 3	TCV 2	TCV 1	TCV 0

Bit	Function
TCV(15:0)	Timer current value (bits15-0 - TCV(15) = msb)

TCVR contains the current counting value. When TCVR = TEVR, the TCVR content is changed according to Table 9.1. The TCVR clock is derived from internal MCLK clock according to TFP bits when TCM = '0' or is equal to external ECLK clock when TCM = '1'.

Note: Timers external clocks are not directly user accessible. They are connected to INCYCLE.

Table 9.1 Counting modes

TLE	TCS	TCVR(n) = TEVR	TUD	TEN	TCVR(n+1)	Description
x	x	x	x	0	TCVR(n)	TIM disable
x	0	1	x	1		stop
x	x	0	0	1	TCVR(n)-1	decrement
0	1	1				decrement (continue)
x	x	0	1		TCVR(n)+1	increment
0	1	1				increment (continue)
1	1	1	x		TSVR	load

## 10 SIO

The ST18952 has two synchronous serial input/output (SIO) ports which link to serial devices such as codecs and to other processors.

The SIO ports work in DMA mode. SIO0 uses channels 0 and 1 of the DMA controller, SIO1 uses channels 2 and 3. The chip must be configured for SIO using the DMAR system register ("DMAR: DMA management register" on page 44). For SIO port 0, bits 1 and 0 of the DMAR register must be reset to inhibit external DMA requests (1 and 0) and to allow SIO port 0 communication with the outside. For SIO port 1, bits 3 and 2 of the DMAR register must be reset to inhibit external DMA requests (3 and 2) and to allow SIO port 1 communication with the outside.

The SIO ports have the following features:

- double-buffered full-duplex operation
- frequency up to D950 input clock (33 Mbps for 66 MHz D950)
- programmable functions
  - word length: 8/16 bits (msb first)
  - up to 8 words per frame
  - frequency prescaler (by 1 or 3) and divider (by  $2^1$  to  $2^8$ )
  - synchronization signal: bit length/word length, delayed/not delayed, active level
  - clock signal: internal/external, active edge
- 4 status flags / 2 enabled interrupt requests
- data transfers between SIO and memories using DMA

## 10.1 SIO registers

Each SIO port has the following set of registers.

### STB0-3: SIO transmit buffers

STB0-3 buffers contain the data to be transferred to the SIO transmit shift register.

SIO0 registers

- (STB0: Address = 0068h, reset value = 0000 h, write only)
- (STB1: Address = 0069h, reset value = 0000 h, write only)
- (STB2: Address = 006Ah, reset value = 0000 h, write only)
- (STB3: Address = 006Bh, reset value = 0000 h, write only)

SIO1 registers

- (STB0: Address = 00E8 h, reset value = 0000 h, write only)
- (STB1: Address = 00E9 h, reset value = 0000 h, write only)
- (STB2: Address = 00EA h, reset value = 0000 h, write only)
- (STB3: Address = 00EB h, reset value = 0000 h, write only)

### SRB0-3: SIO receive buffers

SRB0-3 buffers contain the data transferred from the SIO receive shift register.

SIO0 registers

- (SRB0: Address = 006Ch, reset value = xxxx h, read only)
- (SRB1: Address = 006Dh, reset value = xxxx h, read only)
- (SRB2: Address = 006Eh, reset value = xxxx h, read only)
- (SRB3: Address = 006Fh, reset value = xxxx h, read only)

SIO1 registers

- (SRB0: Address = 00EC h, reset value = xxxx h, read only)
- (SRB1: Address = 00ED h, reset value = xxxx h, read only)
- (SRB2: Address = 00EE h, reset value = xxxx h, read only)
- (SRB3: Address = 00EF h, reset value = xxxx h, read only)

**SCOR: SIO sequence control register**

(SIO0 Address = 0070h, reset value = 0000h, read/write)

(SIO1 Address = 00F0 h, reset value = 0000h, read/write)

15	14	13	12	11	10	9	8	7	6	5	4	3	2	1	0
(0)														SEQ(1:0)	

Bit	Function
SEQ(1:0)	Four SIO sequences (defining the time slots order) are available: SEQ=00           Data/Data/Data/Data SEQ=01           Data/Control/Data/Control SEQ=10           Data/Data/Control/Control SEQ=11           Control/Control/Control/Control Data time slots are transferred using the DMA controller, and control time slots are transferred using SIO buffers.
Bits 2-15	Unused and read as '0'

**SCR: SIO control register**

(SIO0 address = 0062h, reset value = 0000h, read/write)

(SIO1 address = 00E2h, reset value = 0000h, read/write)

15	14	13	12	11	10	9	8	7	6	5	4	3	2	1	0
(0)		SLL	SMEN	SRIE	STIE	SWN(2:0)			SSM	SSAL	SSL	SCE	SCSD	SWL	SMS
00		0	0	1	1	011			0	0	0	0	0	0	0

Bit	Function
SMS	SIO Mode select: Must be set to 0 (normal mode)
SWL	SIO Word length SWL = '0'           Word length is 16 bits (reset value) SWL = '1'           Word length is 8 bits
SCSD	SIO Clock/synchro direction Determines whether SCK clock and SFS frame synchro signals are generated externally or internally SCSD = '0'           Generated externally (reset value) SCSD = '1'           Generated internally
SCE	SIO Clock edge SCE = '0'           SCK rising edge active (reset value) SCE = '1'           SCK falling edge active
SSL	SIO Frame synchro length Generated in a bit-length manner (active for one clock cycle) when SSL='0' (reset value) or in a word-length manner (active for 8 or 16 clock cycles dep. on SWL bit) when SSL='1'.
SSAL	SIO Frame synchro active level SSAL = '0'           SFS high level active (reset value) SSAL = '1'           SFS low level active

Bit	Function
SMS	SIO Mode select: Must be set to 0 (normal mode)
SSM	SIO Frame synchro mode The SFS frame synchro is generated one clock cycle before the first data of the frame (delayed mode) when SSM = '0' (reset value) or when first data is transmitted/received (non-delayed mode) when SSM = '1'.
SWN(2:0)	SIO word number (SWN(2) = msb) SWN determines the number of words inserted in the frame (up to 8). The coding is as follows: SWN = "0" -> 1 time slot SWN = "1" -> 2 time slots ... SWN = "7" -> 8 time slots The reset value is SWN = "0"
STIE	SIO Transmit interrupt enable <ul style="list-style-type: none"> <li>When STIE = '1', interrupt request generated on the <math>\overline{STI}</math> output when STDE flag = '1'.</li> <li>When STIE = '0' (reset value), the <math>\overline{STI}</math> output is disabled ('1')</li> </ul>
SRIE	SIO Receive interrupt enable <ul style="list-style-type: none"> <li>When SRIE = '1', interrupt request generated on <math>\overline{SRI}</math> output when the SRDF flag = '1'.</li> <li>When SRIE = '0' (reset value), the <math>\overline{SRI}</math> output is disabled ('1')</li> </ul>
SMEM	SIO Microwire enable: Must be set to 0 (normal mode)
SLL	SIO Local loop <ul style="list-style-type: none"> <li>When SLL = '1', the STD output is internally linked to the SRD input. This allows the SIO behavior to be checked without providing data on the SRD input.</li> <li>When SLL = '0' (reset value), the SRD input is enabled</li> </ul>
Bits 15-14	Unused and are read as '0'

SCR writes must be made when the SIO is disabled (SEN bit of the SIO enable register is '0')SMS:

**SFR: SIO Frequency register**

(SIO0 address = 0063h, reset value = 0000h, read/write)

(SIO1 address = 00E3 h, reset value = 0000h, read/write)

SFR Writes must be made when the SEN bit of the SER register is '0' (SIO disabled)

15	14	13	12	11	10	9	8	7	6	5	4	3	2	1	0
(0)										0	SFD(2:0)			SFP	

Bit	Function										
SFP	SIO Frequency prescaler <ul style="list-style-type: none"> <li>When the SCK clock is generated internally (SCSD bit of the SCR register is set to '1'), it is derived from the MCLK clock input by first prescaling MCLK by 1 (SFP = '0' reset value) or by 3 (SFP = '1').</li> </ul>										
SFD(2:0)	SIO Frequency divider (bits 3-1; SFD(2) = msb) <ul style="list-style-type: none"> <li>When the SCK clock is generated internally (SCR/SCSD = '1'), it is derived from the MCLK clock input by second dividing MCLK by <math>2^{(1 + \text{SFD})}</math>.               <table border="0" style="margin-left: 20px;"> <tr> <td>SFD = "0"</td> <td>divided by 2 (reset value)</td> </tr> <tr> <td>SFD = "1"</td> <td>divided by 4</td> </tr> <tr> <td>SFD = "2"</td> <td>divided by 8</td> </tr> <tr> <td>...</td> <td></td> </tr> <tr> <td>SFD = "7"</td> <td>divided by 256</td> </tr> </table> </li> </ul>	SFD = "0"	divided by 2 (reset value)	SFD = "1"	divided by 4	SFD = "2"	divided by 8	...		SFD = "7"	divided by 256
SFD = "0"	divided by 2 (reset value)										
SFD = "1"	divided by 4										
SFD = "2"	divided by 8										
...											
SFD = "7"	divided by 256										
Bits 5 and 4	Reserved and must be written as '0'										
Bits 15 to 6	Unused and read as '0'										

**SER: SIO Enable register**

(SIO0 address = 0064h, reset value = 0000h, read/write)

(SIO1 address = 00E4 h, reset value = 0000h, read/write)

15	14	13	12	11	10	9	8	7	6	5	4	3	2	1	0
(0)															SEN

Bit	Function
SEN	SIO Enable <ul style="list-style-type: none"> <li>When SEN = '0', SIO is disabled (reset value). SCR and SFR writes must be made when SEN = '0'.</li> <li>When SEN = '1', the SIO is enabled.</li> </ul>
Bits 15 to 1	Unused and read as '0'

**SSR: SIO Status register**

(SIO0 address = 0065h, reset value = 0000 h, read only)

(SIO1 address = 00E5h, reset value = 0000 h, read only)

15	14	13	12	11	10	9	8	7	6	5	4	3	2	1	0
SLRA(7:0)								SCWN(2:0)			0	SROV	SRDF	STUN	STDE

Bit	Function
STDE	<p>SIO Transmit data empty</p> <ul style="list-style-type: none"> <li>STDE is set when the content of the STDR Data register is transferred into the Transmit Shift register signalling that the STDR Data register is ready to be receive the next word to be transmitted.</li> <li>If the STIE enable bit is set, an interrupt request occurs on the <math>\overline{STI}</math> output (<math>\overline{STI}</math> is low for 1 MCLK cycle) when STDE is set.</li> </ul>
STUN	<p>SIO Transmit underrun</p> <ul style="list-style-type: none"> <li>STUN is set when the Transmit Shift register is empty and the STDR Data register has not been filled by the DSP.</li> <li>If another frame syncho occurs, the content of the STDR Data register is transferred again into the Transmit Shift register and the previous word is re-transmitted.</li> </ul>
SRDF	<p>SIO Receive data full</p> <ul style="list-style-type: none"> <li>SRDF is set when the content of the Receive Shift register has been transferred into the SRDR Data register, signalling a new word receive. The SRDR Data register is ready to be read by the DSP.</li> <li>If the SRIE enable bit is set, an interrupt request occurs on the <math>\overline{SRI}</math> output (<math>\overline{SRI}</math> is low for 1 MCLK cycle) when SRDF is set.</li> </ul>
SROV	<p>SIO Receive overrun</p> <ul style="list-style-type: none"> <li>SROV is set when the Receive Shift register is ready to be transferred into the SRDR Data register, which has not been read by the DSP.</li> <li>If another frame syncho occurs, the content of the Receive Shift register is transferred into the SRDR Data register and the previous content of SRDR is lost.</li> </ul>
Bit 4	Unused and read as '0'
SCWN(2:0)	<p>SIO Current word number (SCWN(2) = msb)</p> <ul style="list-style-type: none"> <li>In normal and microwire modes, SCWN contains the current word number value since the last frame synchro. In tdm mode, SCWN determines the current slot number value since the last frame synchro.</li> </ul> <p>SCWN = 0 -&gt; 1st sub-frame / time slot  SCWN = 1 -&gt; 2nd sub-frame / time slot  ...  SCWN = 7 -&gt; 8th sub-frame / time slot</p>
SLRA(7:0)	<p>SIO Last received address (bits 15-8)</p> <p>Must write 0.</p>



**STDR: SIO Transmit data register**

(SIO0 address = 0060h reset value = 0000h, write only)

(SIO1 address = 00E0h reset value = 0000h, write only)

<b>15</b>	<b>14</b>	<b>13</b>	<b>12</b>	<b>11</b>	<b>10</b>	<b>9</b>	<b>8</b>	<b>7</b>	<b>6</b>	<b>5</b>	<b>4</b>	<b>3</b>	<b>2</b>	<b>1</b>	<b>0</b>
STD	STD	STD	STD	STD	STD	STD	STD	STD	STD	STD	STD	STD	STD	STD	STD
15	14	13	12	11	10	9	8	7	6	5	4	3	2	1	0

Bit	Function
STD(15:0)	<p>SIO Transmit data (STD(15) = msb)</p> <ul style="list-style-type: none"> <li>• STD contains the data to be transferred to the Transmit Shift register at the beginning of the next sub-frame or time slot. The data is transmitted msb first.</li> <li>• When 8-bit data format (SCR/SWL = '1') is used, the byte must be left justified (written on bits 7 to 0, bits 15 to 8 are ignored). The msb is bit 7.</li> </ul>

**SRDR: SIO Receive data register**

(SIO0 address = 0061h, reset value = xxxh, read only)

(SIO1 address = 00E1h, reset value = xxxh, read only)

<b>15</b>	<b>14</b>	<b>13</b>	<b>12</b>	<b>11</b>	<b>10</b>	<b>9</b>	<b>8</b>	<b>7</b>	<b>6</b>	<b>5</b>	<b>4</b>	<b>3</b>	<b>2</b>	<b>1</b>	<b>0</b>
SRD	SRD	SRD	SRD	SRD	SRD	SRD	SRD	SRD	SRD	SRD	SRD	SRD	SRD	SRD	SRD
15	14	13	12	11	10	9	8	7	6	5	4	3	2	1	0

Bit	Function
SRD(15:0)	<p>SIO Receive data (SRD(15) = msb)</p> <ul style="list-style-type: none"> <li>• SRD contains the data transferred from the Receive Shift register at the end of the last sub-frame or time slot. The data is right justified (msb = bit 15).</li> <li>• When 8-bit data format (SCR/SWL = '1') is used, the byte is left justified (significant on bits 7 to 0, bits 15 to 8 are ignored). The msb is bit 7.</li> </ul>

## 11 External Coprocessor

Dedicated co-processors can be designed by SGS-Thomson, by customer request.

The D950Core instruction set includes two co-processor dedicated one-word instructions, allowing one (COPS) or two (COPD) parallel data moves between X or Y-memory space and co-processor registers.

While a co-processor instruction is decoded by the D950Core, the VCI output is asserted high, indicating to the co-processor that such an instruction will be executed at the next cycle.

Control and status registers, at least one of each, must be included in the co-processor. This allows initialization in various operating modes and gives information to the D950Core on operations in progress and status.

An external coprocessor can only be used when program and data bus extensions are enabled.

## 12 System Control

System control is provided by glue logic and performs the following functions:

- Control of bus extensions and multiplexing of BSU and X extension IO's.
- Interrupt vector management (in case of interrupt controller inhibition)
- Control of input clock frequency
- Test control management
- Bus requests (Hold) arbitration
- Buffering

## 12.1 System registers

There are 4 system registers: CMR clock management register; PICR port/interrupt control register; INTR interrupt vector register; and DMAR DMA management register. The registers are Y memory-mapped.

### PICR: Port/interrupt control register

The interrupt controller  $\overline{ITRQ}$  inputs can be connected to external interrupt requests or to internal peripheral requests, this is dependent on the setting of the port/interrupt control (PICR) system register.

The interrupt controller receives interrupt requests from primary inputs P\_ $\overline{ITRQ0-7}$  on its inputs  $\overline{ITRQ0-7}$  when bit 0-7 of the PICR register is set to '0'. Otherwise, the  $\overline{ITRQ0-7}$  input is connected to the internal peripheral interrupt request output. Each input can be programmed independently.

(Address = 0049 h, Reset value = 0000 h, Read/Write)

15	14	13	12	11	10	9	8	7	6	5	4	3	2	1	0
							NM	IO	IO	TIM1	TIM0	DMA3	DMA2	DMA1	DMA0

Bit	Function
DMA0	0: ITC $\overline{ITRQ0}$ connected to P_ $\overline{ITRQ0}$ primary I/O 1: ITC $\overline{ITRQ0}$ connected to DMA $\overline{DIT0}$ output
DMA1	0: ITC $\overline{ITRQ1}$ connected to P_ $\overline{ITRQ1}$ primary I/O 1: ITC $\overline{ITRQ1}$ connected to DMA $\overline{DIT1}$ output
DMA2	0: ITC $\overline{ITRQ2}$ connected to P_ $\overline{ITRQ2}$ primary I/O 1: ITC $\overline{ITRQ2}$ connected to DMA $\overline{DIT2}$ output
DMA3	0: ITC $\overline{ITRQ3}$ connected to P_ $\overline{ITRQ3}$ primary I/O 1: ITC $\overline{ITRQ3}$ connected to DMA $\overline{DIT3}$ output
TIM0	0: ITC $\overline{ITRQ4}$ connected to P_ $\overline{ITRQ4}$ primary I/O 1: ITC $\overline{ITRQ4}$ connected to TIMER0 interrupt request output
TIM1	0: ITC $\overline{ITRQ5}$ connected to P_ $\overline{ITRQ5}$ primary I/O 1: ITC $\overline{ITRQ5}$ connected to TIMER1 interrupt request output
IO	0: ITC $\overline{ITRQ6}$ connected to P_ $\overline{ITRQ6}$ primary I/O 1: ITC $\overline{ITRQ6}$ is not used (connected to VDD)
IO	0: ITC $\overline{ITRQ7}$ connected to P_ $\overline{ITRQ7}$ primary I/O 1: ITC $\overline{ITRQ7}$ is not used (connected to VDD)
NM	0: Normal mode. 1: ITC inhibited (bit 7-0 UNUSED). D950Core $\overline{IT}$ input directly connected to P_ $\overline{ITRQ-7}$ primary I/O.
Bits15:9	UNUSED

Note: P\_ $\overline{ITRQ0-7}$  primary I/Os are used for external interrupt requests and for the D950 8-bit general purpose parallel port (P0-7). Depending on the PICR value and the programming of

the D950 parallel port (input or output), the interrupt controller can be fed by the D950 parallel port output.

### INTR: Interrupt vector register

(Address = 004Ah, Reset = 0000h, Write only)

In the case of the interrupt controller being inhibited (bit 8 of the PICR register set to '1'), the INTR register controls interrupt vector generation. This register must be initialized (INTR=0000 after reset) and can not be read.

After reset, ITC inputs are fed with external interrupt requests.

### DMAR: DMA management register

The DMA controller  $\overline{\text{DMARQ0-3}}$  inputs and  $\overline{\text{DMACK0-3}}$  outputs are available as primary inputs, in case of SIO inhibition. This is set by the system register DMAR.

(Address: 004Bh, Reset = 0000h, Read/Write):

15	14	13	12	11	10	9	8	7	6	5	4	3	2	1	0
Not used												D3	D2	D1	D0

Bit	Function
D0	0: $\overline{\text{DMARQ0}}$ connected to $\overline{\text{DMARQ0}}$ SIO0 and $\overline{\text{DMACK0}}$ connected to $\overline{\text{DMACK0}}$ SIO0 1: $\overline{\text{DMARQ0}}$ connected to external $\overline{\text{DMARQ0}}$ input called ( $\overline{\text{DMARQ0\_SRD0}}$ ) and $\overline{\text{DMACK0}}$ connected to external $\overline{\text{DMACK0}}$ input called ( $\overline{\text{DMACK0\_STD0}}$ )
D1	0: $\overline{\text{DMARQ1}}$ connected to $\overline{\text{DMARQ1}}$ SIO0 and $\overline{\text{DMACK1}}$ connected to $\overline{\text{DMACK1}}$ SIO0 1: $\overline{\text{DMARQ1}}$ connected to external $\overline{\text{DMARQ1}}$ input called ( $\overline{\text{DMARQ1\_SCK0}}$ ) and $\overline{\text{DMACK1}}$ connected to external $\overline{\text{DMACK1}}$ input called ( $\overline{\text{DMACK1\_SFS0}}$ )
D2	0: $\overline{\text{DMARQ2}}$ connected to $\overline{\text{DMARQ0}}$ SIO1 and $\overline{\text{DMACK2}}$ connected to $\overline{\text{DMACK0}}$ SIO1 1: $\overline{\text{DMARQ2}}$ connected to external $\overline{\text{DMARQ2}}$ input called ( $\overline{\text{DMARQ2\_SRD1}}$ ) and $\overline{\text{DMACK2}}$ connected to external $\overline{\text{DMACK2}}$ input called ( $\overline{\text{DMACK2\_STD1}}$ )
D3	0: $\overline{\text{DMARQ3}}$ connected to $\overline{\text{DMARQ1}}$ SIO1 and $\overline{\text{DMACK3}}$ connected to $\overline{\text{DMACK1}}$ SIO1 1: $\overline{\text{DMARQ3}}$ connected to external $\overline{\text{DMARQ3}}$ input called ( $\overline{\text{DMARQ3\_SCK1}}$ ) and $\overline{\text{DMACK3}}$ connected to external $\overline{\text{DMACK3}}$ input called ( $\overline{\text{DMACK3\_SFS1}}$ )
Bit 4 - 15	Not used

Outputs  $\overline{\text{DIT0-3}}$  are connected to the interrupt controller inputs  $\overline{\text{ITRQ0-3}}$  (via PICR system register described above).

$\overline{\text{HOLD}}$  DMA output is connected to  $\overline{\text{HOLD}}$  D950 input through an arbitration module, which takes into account external  $\overline{\text{HOLD}}$  requests and manages  $\overline{\text{HOLDACK}}$  generation to the right  $\overline{\text{HOLD}}$  sender.

After reset, DMA requests come from the SIO.

Note: Use of an external DMA controller is possible. In this case, only exchanges between external peripherals and external memories are allowed. All direct extension buses are isolated.

## 12.2 Clocks

A 27 MHz crystal can be used with the on-chip oscillator and PLL to provide the D950 clock input. The PLL module multiplies the oscillator frequency by a factor of 10 and generates a 270 MHz signal. A programmable divisor is connected to the PLL output to generate the D950 clock input. The division range is 2 to 256 and can be programmed by writing to the CMR clock management system register.

### CMR: Clock management register

(Address = 0048h, Reset = 0000h, Read/Write)

15	14	13	12	11	10	9	8	7	6	5	4	3	2	1	0
Reserved													D2	D1	D0

D2	D1	D0	Division factor	Output clock frequency
0	0	0	2	135 MHz
0	0	1	4	67.5 MHz
0	1	0	8	33.74 MHz
0	1	1	16	16.88 MHz
1	0	0	32	8.44 MHz
1	0	1	64	4.22 MHz
1	1	0	128	2.11 MHz
1	1	1	256	1.05 MHz

The oscillator and PLL can be bypassed by setting the CLK\_MODE pin to '1'. In this case the D950 CLKIN input receives the clock signal directly from the MCLK input.

## 13 JTAG IEEE 1149.1 test access port

The Test Access Port (TAP) conforms to IEEE standard 1149.1.

The TAP consists of five pins: **TMS**, **TCK**, **TDI**, **TDO** and  $\overline{\text{TRST}}$ . **TDO** can be overdriven to the power rails, and **TCK** can be stopped in either logic state.

The instruction register is 8 bits long, with no parity, and the pattern "00000001" is loaded into the register during the *Capture-IR* state.

There are three defined public instructions, see Table 13.1. All other instruction codes are reserved.

**Table 13.1 Instruction codes**

Instruction code <sup>1)</sup>	Instruction	Selected register
04h	IDCODE	Identification
08h	EMU	D950 IOscan
FFh	BYPASS	Bypass

Notes 1: MSB... LSB; LSB closest to **TDO**

## 14 Emulation Unit

The emulation unit (EMU) performs to emulation and test fuctions through the external IEEE 1149.1 JTAG interface. Refer to "JTAG IEEE 1149.1 test access port" on page 46.

The emulation and test operations are controlled by the JTAG Test Access Port (TAP) and the emulator by means of dedicated control I/Os.

Emulation mode can entered in one of two ways:

- Asserting  $\overline{\text{ERQ}}$  input pin low.
- Meeting a valid breakpoint condition or executing an instruction in single step mode.

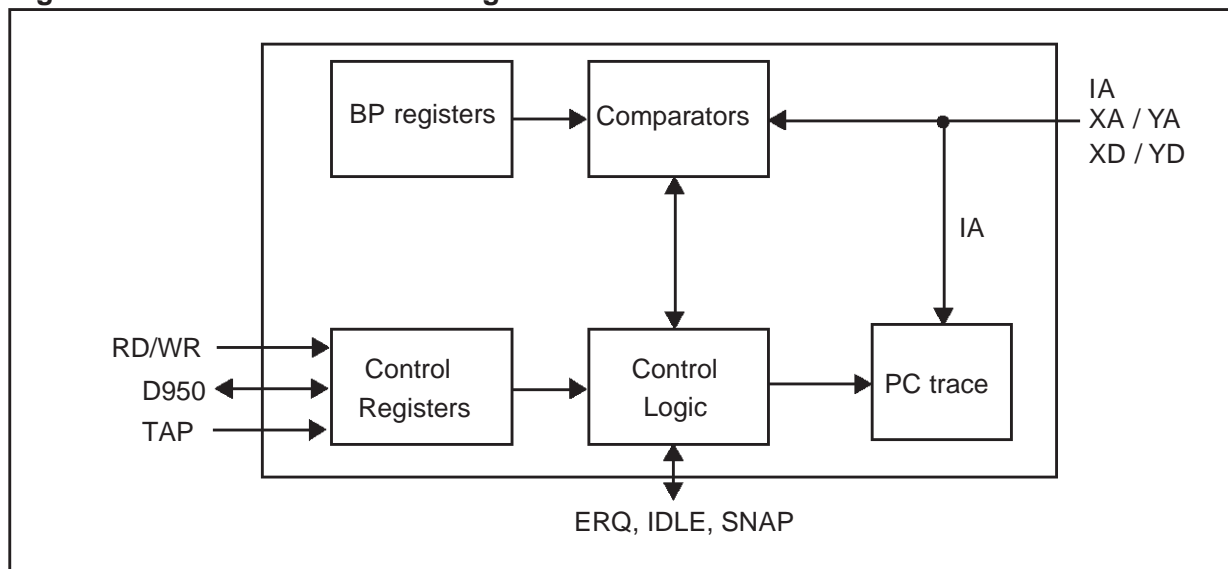
The PC board emulator is able to display the processor status (memories and registers) and restore the context.

The Emulation resources (see Figure 14.1) include:

- Four breakpoint registers (BP0, BP1, BP2, BP3) which can be affected by Program or Data memory.
- Breakpoint counter (BPC).
- Program Counter Trace Buffer (PCB) able to store the address of the 6 last executed instructions.
- Three control registers for Breakpoint condition programming.

- Control logic for instruction execution through the PC-board emulator control.

**Figure 14.1 Emulation block diagram**



The emulation controller interface (see Table 2.8 and Table 2.9 on page 8) include pins of different types:

- $\overline{\text{ERQ}}$ , IDLE and SNAP are used by the emulator tools.
- HALTACK indicates that the processor is halted in emulation mode.
- AIEBP, AXEBP and AYEBP may be used to set additional conditions for break-point validation on the respective IA/XA/YA buses.

## 15 Electrical Specifications

In the following tables TBD indicates 'to be defined'.

### 15.1 DC Absolute maximum ratings

**Table 15.1 DC absolute maximum ratings**

Symbol	Parameter	Value	Unit
$V_{DD}$	Supply Voltage	-0.3 / 3.9	V
$V_{IN}$	Input Voltage	-0.3 / 3.9	V
$T_A$	Operating Junction Temperature Range	-40 / +125	°C
$T_{STG}$	Storage Temperature Range	-55 / +150	°C

### 15.2 DC Electrical characteristics

Junction temperature: -40°C to +125°C

**Table 15.2 DC electrical characteristics**

Symbol	Parameter	Min	Typical	Max	Unit
$V_{DD}$	Power supply	2.7	3.3	3.6	V
$V_{IL}$	Input low level			$0.3 \cdot V_{DD}$	V
$V_{IH}$	Input high level	$0.8 \cdot V_{DD}$			V
$V_{OL}$	Output low level			0.4	V
$V_{OH}$	Output high level	$0.85 \cdot V_{DD}$			V
$I_{DD}$	Operating Current		TBD		mA
$I_{SB}$	Stand-by Current		TBD		μA

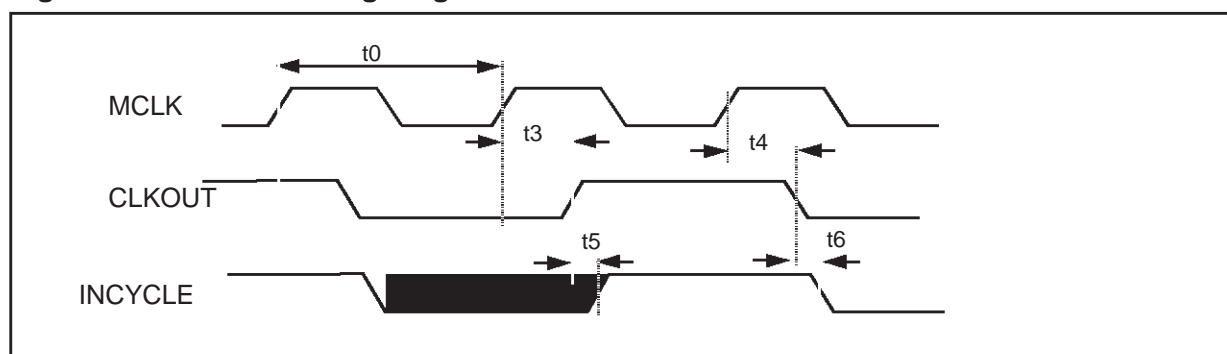


## 15.3 AC Characteristics

The following timings are based on simulations and may change when full characterisation is completed.

### Clocks electrical characteristics

**Figure 15.1** Clock timing diagram



**Table 15.3** Clock timing data

No	Parameter	Min (ns)	Typ (ns)	Max (ns)
t0	Master clock cycle time		7.5	
t3	CLKOUT high delay		4.0	
t4	CLKOUT low delay		3.3	
t5	INCYCLE high delay		-0.1	
t6	INCYCLE low delay		-0.5	

Reset electrical characteristics

Figure 15.2 Reset timing diagrams

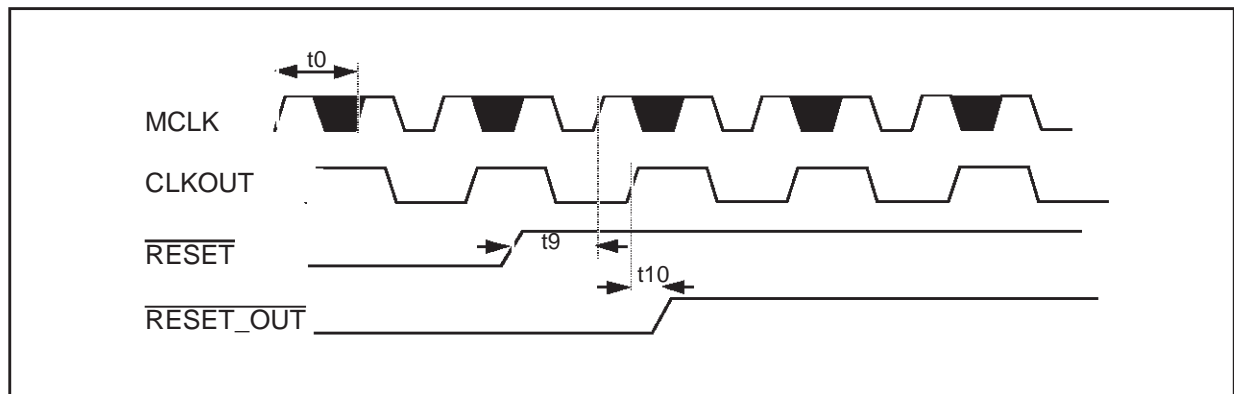
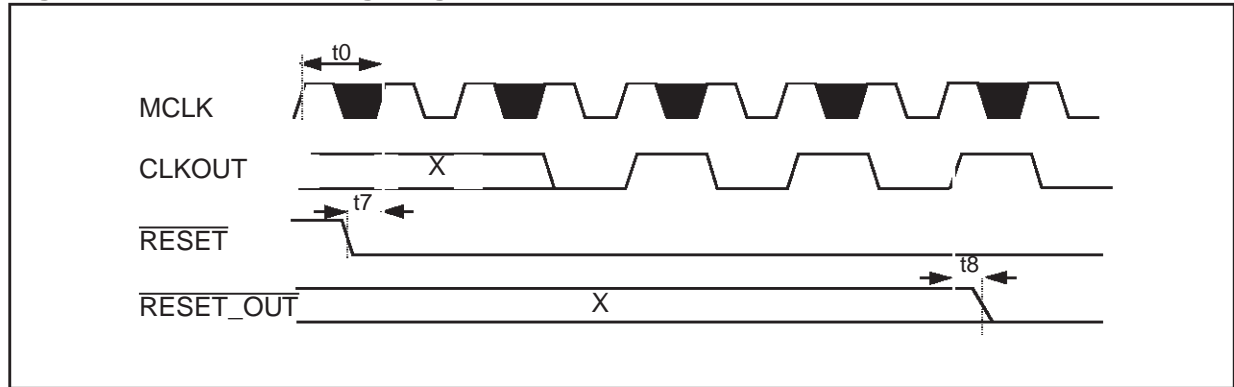
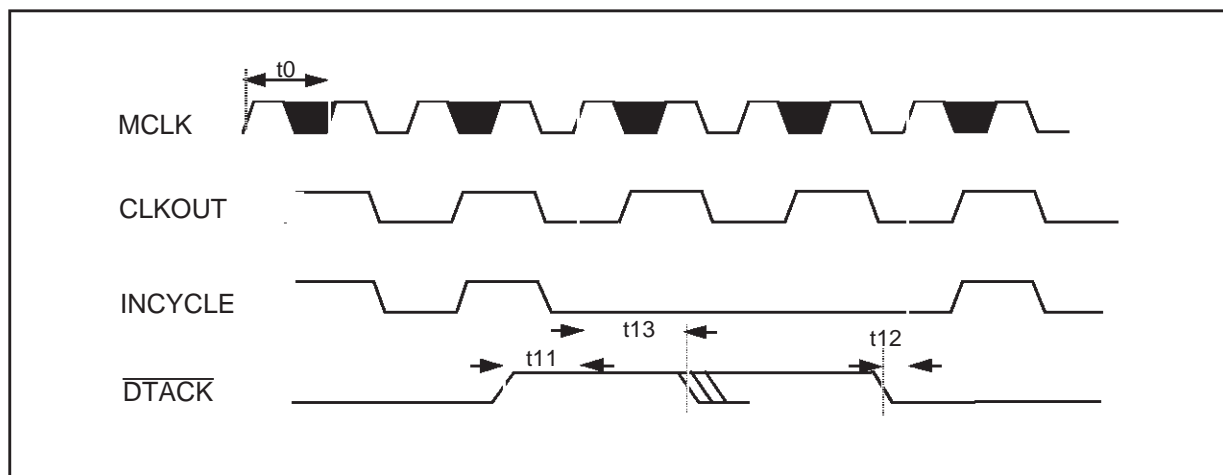


Table 15.4 Reset timing data

No	Parameter	Min (ns)	Typ (ns)	Max (ns)
t0	Master clock cycle time		7.5	
t7	$\overline{\text{RESET}}$ low setup		2.4	
t8	$\overline{\text{RESET\_OUT}}$ low delay		1.7	
t9	$\overline{\text{RESET}}$ high setup		nc	
t10	$\overline{\text{RESET\_OUT}}$ high delay		1.9	

## Bus control electrical characteristics

Figure 15.3 Bus control timing diagram

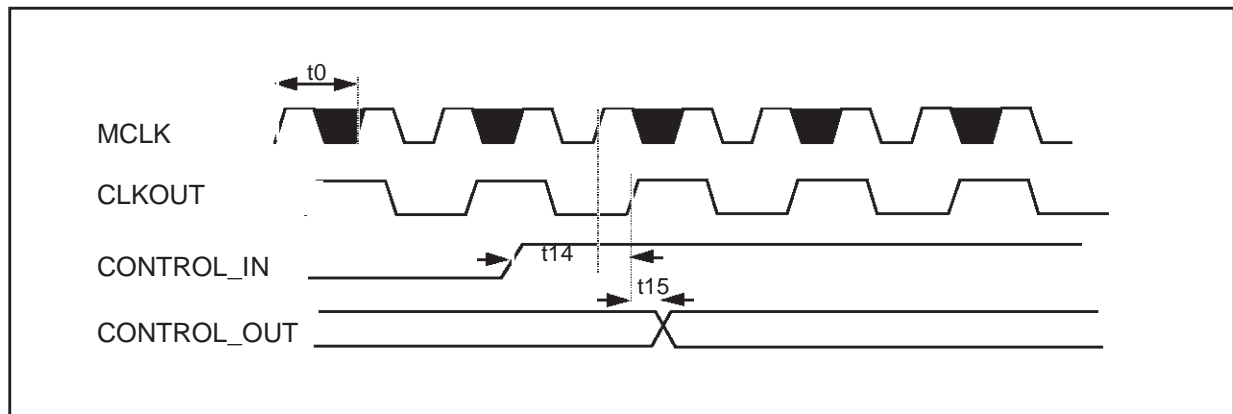


**Table 15.5 Bus control timing data**

No	Parameter	Min (ns)	Typ (ns)	Max (ns)
t0	Master clock cycle time		7.5	
t11	$\overline{DTACK}$ high setup		t0/4	
t12	$\overline{DTACK}$ low setup		t0/4	
t13	$\overline{DTACK}$ high hold		0	

**Control I/O electrical characteristics**

**Figure 15.4 Control I/O timing diagram**



**Table 15.6 Control I/O timing diagram**

No	Parameter	Min (ns)	Typ (ns)	Max (ns)
t0	Master clock cycle time		7.5	
t14	CONTROL_IN setup		6.0	
t15	CONTROL_OUT high/low delay		3.0	

## Instruction bus electrical characteristics

Figure 15.5 Instruction bus timing diagram

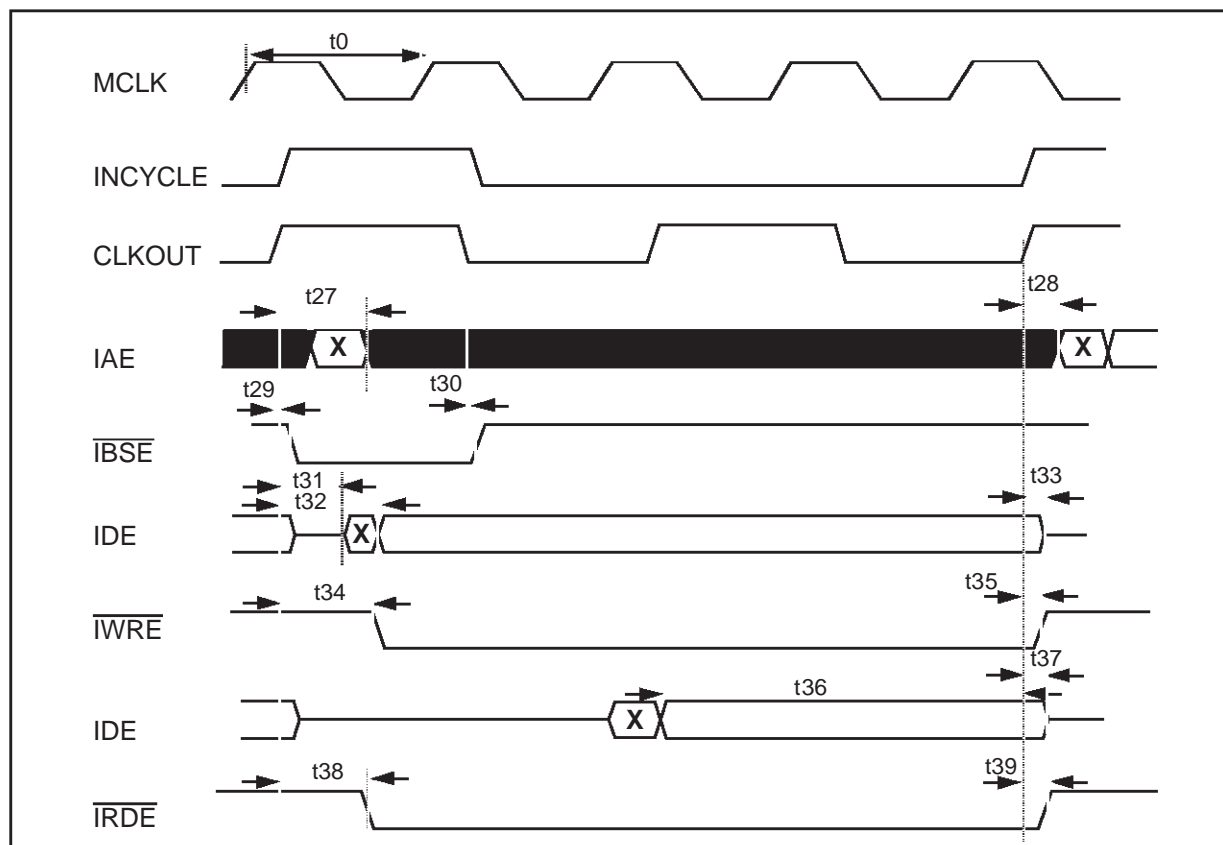


Table 15.7 Instruction bus timing data

No	Parameter	Min (ns)	Typ (ns)	Max (ns)
t0	Master clock cycle time		7.5	
t27	IAE valid delay		1.9	
t28	IAE hold time		1.1	
t29	$\overline{IBSE}$ low delay		0.3	
t30	$\overline{IBSE}$ high delay		0.0	
t31	IDE high to lo Z delay		tbd	
t32	IDE valid delay		tbd	
t33	IDE hold time		1.2	
t34	$\overline{IWRE}$ low delay		$t_0/2 + 1.6$	
t35	$\overline{IWRE}$ high delay		0.6	
t36	IDE setup		5.8	
t37	IDE hold		-4.5	
t38	$\overline{IRDE}$ low delay		$t_0/2 + 0.5$	
t39	$\overline{IRDE}$ high delay		0.6	

### X-data bus electrical characteristics

Figure 15.6 X-data bus timing diagram

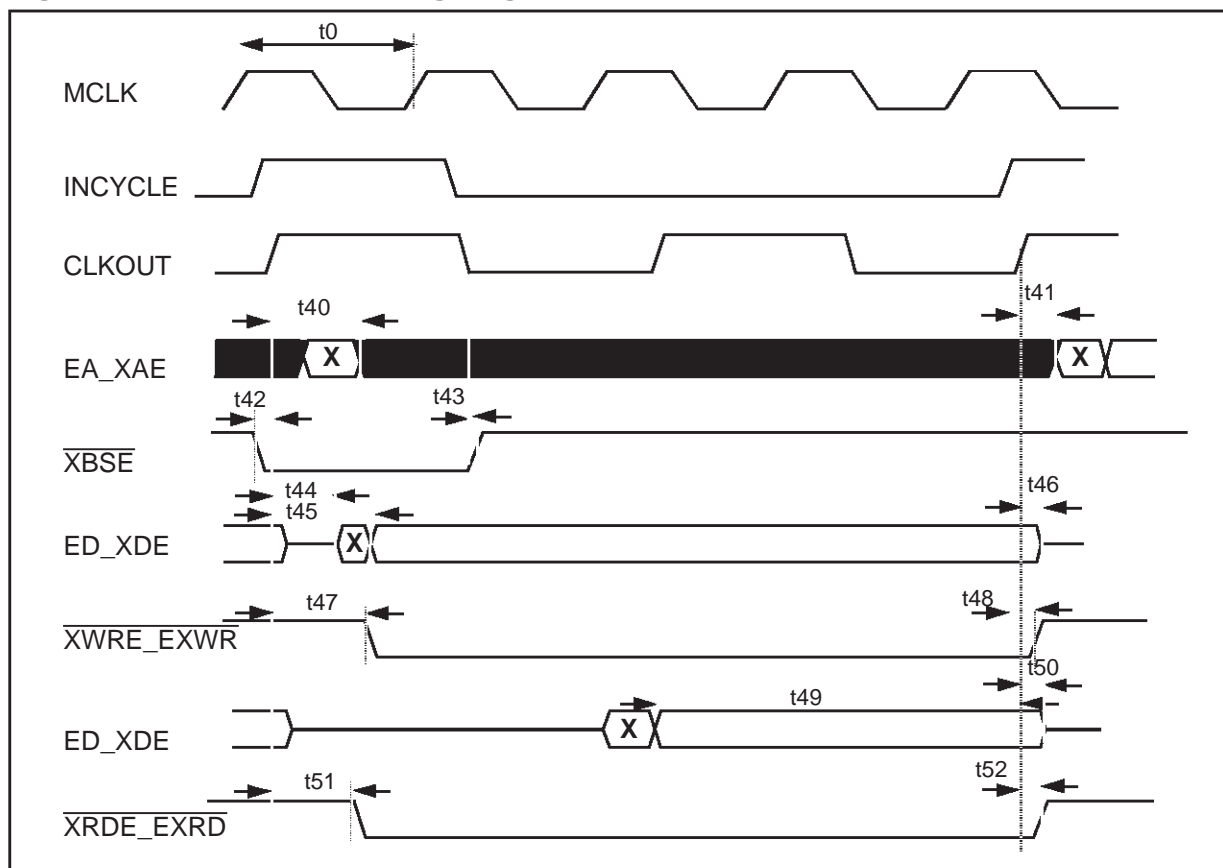


Table 15.8 X-data bus timing data

No	Parameter	Min (ns)	Typ (ns)	Max (ns)
t0	Master clock cycle time		7.5	
t40	EA_XAE valid delay		$t_0+3.7$	
t41	EA_XAE hold time		2.7	
t42	$\overline{\text{XBSE}}$ low delay		0.1	
t43	$\overline{\text{XBSE}}$ high delay		-0.2	
t44	ED_XDE high to low Z delay		tbd	
t45	ED_XDE valid delay		$t_0+3.9$	
t46	ED_XDE hold time		0.3	
t47	$\overline{\text{XWRE\_EXWR}}$ low delay		$t_0+2.7$	
t48	$\overline{\text{XWRE\_EXWR}}$ high delay		0.4	
t49	ED_XDE setup		6.5	
t50	ED_XDE hold		-5.0	
t51	$\overline{\text{XRDE\_EXRD}}$ low delay		$t_0+2.6$	
t52	$\overline{\text{XRDE\_EXRD}}$ high delay		-0.7	

## Y-data bus electrical characteristics

Figure 15.7 Y-data bus timing diagram

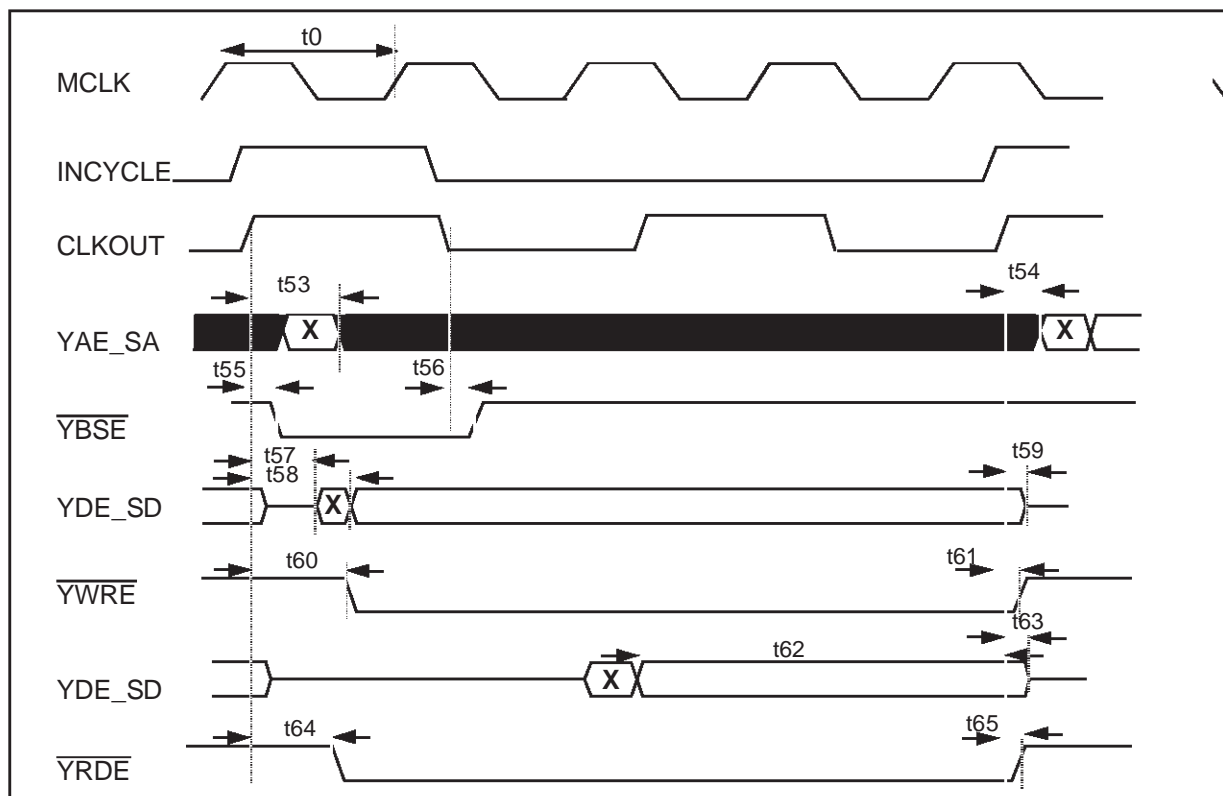


Table 15.9 Y-data bus timing data

No	Parameter	MIN (ns)	Typ (ns)	Max (ns)
t0	Master clock cycle time		7.5	
t53	YAE_SA valid delay		3.5	
t54	YAE_SA hold time		2.6	
t55	$\overline{\text{YBSE}}$ low delay		0.1	
t56	$\overline{\text{YBSE}}$ high delay		0.3	
t57	YDE_SD high to lo Z delay		tbd	
t58	YDE_SD valid delay		$t_0+3.5$	
t59	YDE_SD hold time		0.5	
t60	$\overline{\text{YWRE}}$ low delay		$t_0+1.7$	
t61	$\overline{\text{YWRE}}$ high delay		0.5	
t62	YDE_SD setup		7.9	
t63	YDE_SD hold		-5.2	
t64	$\overline{\text{YRDE}}$ low delay		$t_0+1.2$	
t65	$\overline{\text{YRDE}}$ high delay		0.6	

Bus switch electrical characteristics (Intel mode)

Figure 15.8 Bus switch timing diagram (intel mode)

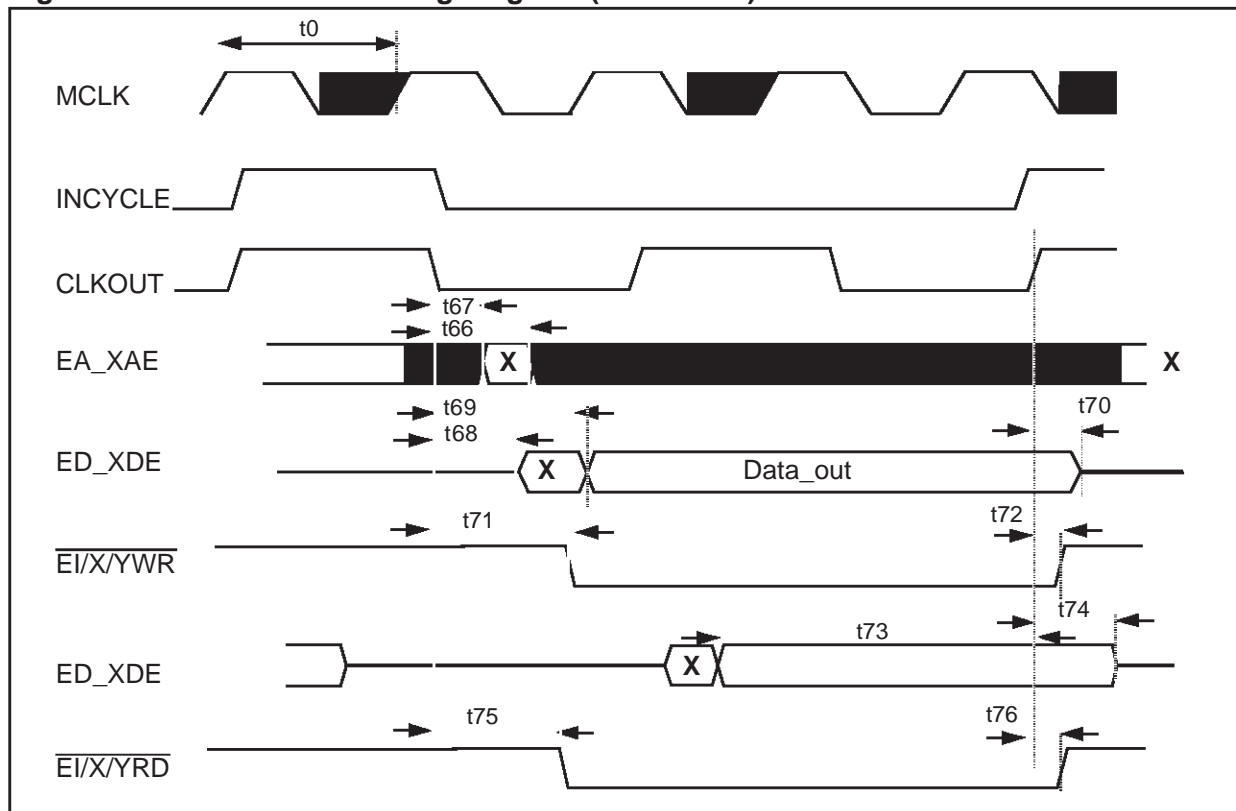


Table 15.10 Y-data bus switch timing data

No	Parameter	Min (ns)	Typ (ns)	Max (ns)
t0	Master clock cycle time		7.5	
t66	EA_XAE valid delay		4.4	
t67	EA_XAE hold time		3.3	
t68	ED_XDE high to lo Z delay		tbd	
t69	ED_XDE valid delay		t0+2.4	
t70	ED_XDE hold time		1.6	
t71	$\overline{\text{EI/X/YWR}}$ low delay		t0+2.3	
t72	$\overline{\text{EI/X/YWR}}$ high delay		1.9	
t73	ED_XDE setup		7.1	
t74	ED_XDE hold		-5.8	
t75	$\overline{\text{EI/X/YRD}}$ low delay		t0+2.1	
t76	$\overline{\text{EI/X/YRD}}$ high delay		-1.5	



## 16 Y SPACE Memory Mapping

### 16.1 Memory map

**Figure 16.1** ST18952 memory map

RESERVED	FFFF-FFD3
External Y memory space	FFD2-3000
Internal Y dual port RAM	21FF-2000
Internal Y RAM	1FFF-1000
RESERVED	00FF-00F1
Serial input/output1	00F0-00E0
RESERVED	00DF-0071
Serial input/output 0	0070-0060
Timer1	005F-005C
Timer0	005B-0058
RESERVED	0057-0056
Bus switch unit	0055-0050
RESERVED	004F-004C
System control	004B-0048
RESERVED	0047-0043
DMA controller	0042-0030
RESERVED	002F-002D
Interrupt controller	002C-0020
RESERVED	001F-0019
Emulator peripheral	0018-0010
RESERVED	000F-0008
D950Core	0007-0000

### 16.2 Serial input/output registers

**Table 16.1** SIO1 registers

Address (Hex)	Register	Description
00F1-00FF		reserved
00F0	SCOR	SIO control register
00EF	SRB3	SIO receive buffer
00EE	SRB2	SIO receive buffer
00ED	SRB1	SIO receive buffer
00EC	SRB0	SIO receive buffer
00EB	STB3	SIO transmit buffer

00EA	STB2	SIO transmit buffer
00E9	STB1	SIO transmit buffer
00E8	STB0	SIO transmit buffer
00E7	-/-/STSR	reserved - unused on the ST18952
00E6	-/SAR/SMR	reserved - unused on the ST18952
00E5	SSR	Status
00E4	SER	Enable
00E3	SFR	Frequency
00E2	SCR	Control
00E1	SRDR	Receive data
00E0	STDR	Transmit data

Table 16.2 SIO0 registers

Address (Hex)	Register	Description
0071-00DF		reserved
0070	SCOR	SIO control register
006F	SRB3	SIO receive buffer
006E	SRB2	SIO receive buffer
006D	SRB1	SIO receive buffer
006C	SRB0	SIO receive buffer
006B	STB3	SIO transmit buffer
006A	STB2	SIO transmit buffer
0069	STB1	SIO transmit buffer
0068	STB0	SIO transmit buffer
0067	-/-/STSR	reserved - unused on the ST18952
0066	-/SAR/SMR	reserved - unused on the ST18952
0065	SSR	Status
0064	SER	Enable
0063	SFR	Frequency
0062	SCR	Control
0061	SRDR	Receive data
0060	STDR	Transmit data

## 16.3 Timer registers

**Table 16.3** Timer1 registers

Address (Hex)	Register	Description
005F	TCVR	Timer current value register 1
005E	TEVR	Timer end value register 1
005D	TSVR	Timer start value register 1
005C	TCR	Timer control register 1

**Table 16.4** Timer0 registers

Address (Hex)	Register	Description
005B	TCVR	Timer current value register 0
005A	TEVR	Timer end value register 0
0059	TSVR	Timer start value register 0
0058	TCR	Timer control register 0

## 16.4 Bus switch unit registers

Address (Hex)	Register	Description
0055	YER1	External Y-bus control register 1
0054	XER1	External X-bus control register 1
0053	IER1	External I-bus control register 1
0052	YER0	External Y-bus control register 0
0051	XER0	External X-bus control register 0
0050	IER0	External I-bus control register 0

## 16.5 System control registers

Address (Hex)	Register	Description
004B	DMAR	DMA management register
004A	INTR	Interrupt vector register
0049	PICR	Port/interrupt interface control register
0048	CMR	Clock management register

## 16.6 DMA controller registers

Address (Hex)	Register	Description
0042	DAIC	DMA address / interrupt control
0041	DMS	DMA mask sensitivity
0040	DGC	DMA general control
003F	DCC3	DMA channel 3 current count
003E	DCC2	DMA channel 2 current count
003D	DCC1	DMA channel 1 current count
003C	DCC0	DMA channel 0 current count
003B	DIC3	DMA channel 3 initial count
003A	DIC2	DMA channel 2 initial count
0039	DIC1	DMA channel 1 initial count
0038	DIC0	DMA channel 0 initial count
0037	DCA3	DMA channel 3 current address
0036	DCA2	DMA channel 2 current address
0035	DCA1	DMA channel 1 current address
0034	DCA0	DMA channel 0 current address
0033	DIA3	DMA channel 3 initial address
0032	DIA2	DMA channel 2 initial address
0031	DIA1	DMA channel 1 initial address
0030	DIA0	DMA channel 0 initial address

## 16.7 Interrupt controller registers

002C	ISR	Interrupt status register
002B	ISPR	Interrupt stack pointer register
002A	IPR	Interrupt priority register
0029	IMR	Interrupt mask/sensitivity register
0028	ICR	Interrupt control register
0027	IV7	Interrupt vector 7 address
0026	IV6	Interrupt vector 6 address
0025	IV5	Interrupt vector 5 address
0024	IV4	Interrupt vector 4 address
0023	IV3	Interrupt vector 3 address
0022	IV2	Interrupt vector 2 address
0021	IV1	Interrupt vector 1 address
0020	IV0	Interrupt vector 0 address

## 16.8 Emulation unit registers

Address (Hex)	Register	Description
0018	PCB	PC trace buffer
0017	BPC	Breakpoint counter
0016	BP3	Breakpoint register 3
0015	BP2	Breakpoint register 2
0014	BP1	Breakpoint register 1
0013	BP0	Breakpoint register 0
0012	BC1	Breakpoint control register 1
0011	BC0	Breakpoint control register 0
0010	ECS	EMU control and status register

## 16.9 D950Core control registers

Address (Hex)	Register	Description
0007	PCSR	Port control sensitivity register
0006	PCDR	Port control direction register
0005	PIR	Port input register
0004	POR	Port output register
0003	MY	Y-memory space modulo max address
0002	BY	Y-memory space modulo base address
0001	MX	X-memory space modulo max address
0000	BX	X-memory space modulo base address

## 17 ST18952 Package Specifications

### 17.1 208 pin PQFP pinout

1	IAE<15>	53	DMACK0_STD0	105	DTACK	157	EA_XAE<11>
2	IAE<14>	54	DMACK1_SFS0	106	ED_XDE<0>	158	EA_XAE<12>
3	IAE<13>	55	DMACK2_STD1	107	ED_XDE<1>	159	EA_XAE<13>
4	IAE<12>	56	YAE<0>	108	ED_XDE<2>	160	EA_XAE<14>
5	IAE<11>	57	YAE<1>	109	VDD	161	GND
6	GND	58	YAE<2>	110	GND	162	VDD
7	VDD	59	YAE<3>	111	ED_XDE<3>	163	EA_XAE<15>
8	IAE<10>	60	VDD	112	EXTAL	164	VCI
9	IAE<9>	61	GND	113	XTAL	165	TMS
10	IAE<8>	62	YAE<4>	114	GND	166	TDO
11	IAE<7>	63	YAE<5>	115	VDD	167	TDI
12	IAE<6>	64	YAE<6>	116	ED_XDE<4>	168	TCK
13	IAE<5>	65	YAE<7>	117	ED_XDE<5>	169	GND
14	IAE<4>	66	YAE<8>	118	ED_XDE<6>	170	VDD
15	IAE<3>	67	YAE<9>	119	VDD	171	VDD
16	IAE<2>	68	YAE<10>	120	GND	172	GND
17	IAE<1>	69	YAE<11>	121	ED_XDE<7>	173	STACKY
18	IAE<0>	70	YAE<12>	122	ED_XDE<8>	174	STACKX
19	GND	71	YAE<13>	123	ED_XDE<9>	175	SNAP
20	VDD	72	VDD	124	VDD	176	TRST
21	IDE<15>	73	GND	125	GND	177	RESET_OUT
22	IDE<14>	74	YAE<14>	126	ED_XDE<10>	178	RESET
23	IDE<13>	75	YAE<15>	127	ED_XDE<11>	179	LP
24	IDE<12>	76	YBSE	128	ED_XDE<12>	180	LPACK
25	IDE<11>	77	VDD	129	ED_XDE<13>	181	P_ITRQ<7>
26	IDE<10>	78	GND	130	ED_XDE<14>	182	GND
27	IDE<9>	79	YRDE	131	ED_XDE<15>	183	VDD
28	IDE<8>	80	YWRE	132	XBSE	184	P_ITRQ<6>
29	VDD	81	YDE<0>	133	XRDE_EXRD	185	P_ITRQ<5>
30	IDE<7>	82	GND	134	XWRE_EXWR	186	P_ITRQ<4>
31	IDE<6>	83	VDD	135	EIRD	187	P_ITRQ<3>
32	GND	84	VDD	136	EIWR	188	P_ITRQ<2>
33	VDD	85	GND	137	VDD	189	P_ITRQ<1>
34	IDE<5>	86	YDE<1>	138	GND	190	P_ITRQ<0>
35	IDE<4>	87	YDE<2>	139	EYRD	191	HOLD
36	IDE<3>	88	YDE<3>	140	EYWR	192	HOLDACK

37	IDE<2>	89	YDE<4>	141	CLKOUT	193	GND
38	GND	90	YDE<5>	142	INCYCLE	194	VDD
39	VDD	91	YDE<6>	143	MCLK	195	GND
40	IDE<1>	92	VDD	144	EA_XAE<0>	196	VDD
41	GND	93	GND	145	EA_XAE<1>	197	ERQ
42	IDE<0>	94	YDE<7>	146	EA_XAE<2>	198	IDT_EN
43	IWRE	95	YDE<8>	147	EA_XAE<3>	199	MODE
44	IRDE	96	VDD	148	EA_XAE<4>	200	IDLE
45	IBSE	97	GND	149	EA_XAE<5>	201	HALTACK
46	DMARQ3_SCK1	98	YDE<9>	150	EA_XAE<6>	202	CLK_MODE
47	DMARQ2_SRD1	99	YDE<10>	151	VDD	203	AYEBP
48	GND	100	YDE<11>	152	GND	204	GND
49	VDD	101	YDE<12>	153	EA_XAE<7>	205	VDD
50	DMARQ1_SCK0	102	YDE<13>	154	EA_XAE<8>	206	AXEBP
51	DMARQ0_SRD0	103	YDE<14>	155	EA_XAE<9>	207	AIEBP_SCAN_EN
52	DMACK3_SFS1	104	YDE<15>	156	EA_XAE<10>	208	IRD_WR

## 17.2 208 pin PQFP package dimensions

Table 17.1 208 pin PQFP package dimensions

REF.	CONTROL DIM. mm		
	MIN	NOM	MAX
A			4.10
A1	0.25		
A2	3.20	3.40	3.60
B	0.17		0.27
C	0.09		0.20
D		30.60	
D1		28.00	
D3		25.50	
E		30.60	
E1		28.00	
E3		25.50	
e		0.50	
K	0d	3.5d	7d
L	0.45	0.60	0.75
L1		1.30	

Notes 1: Lead finish to be 85 Sn/15 Pb solder plate.





## 18 Device ID

The identification code for the ST18952 is #*m*52BC041, where *m* is a manufacturing revision number reserved by SGS-THOMSON.

bit 31																														bit 0									
Mask rev					ST18 family					Variant					SGS-THOMSON manufacturers id										1)														
reserved	0	1	0	1	0	0	1	0	1	0	1	1	1	1	0	0	0	0	0	0	0	1	0	0	0	0	0	1											
5					2					B					C					0					4					1									

1) Defined as 1 in IEEE 1149.1 standard.

## 19 Ordering Information

Device	Package
ST18952X66S	208 pin plastic quad flat pack (PQFP)

For further information contact your local SGS-THOMSON sales office.

## 20 Revision History

This is revision 1 of this datasheet the differences between revision 1 and revision 0 are:

Clarification of SIO0 and SIO1 register addresses in "SIO registers" on page 36.

Reformatting of the presentation of the registers; the bit functions have be put into tables.

Addition of for PCSR and PCDR register information "D950Core registers" on page 14.

Addition of information for "DMAR: DMA management register" on page 44.

---

## Index of Registers

---

### C

CMR  
Clock management register 44

### D

DAIC  
Address/interrupt control register 24

### DGC

General control register 24

### DMAR

DMA management register 43

### DMS

Mask sensitivity control register 25

### I

ICR  
Interrupt control register 27

### IER0/1

Instruction memory control registers 20

### IMR

Interrupt mask/sensitivity register 29

### INTR

Interrupt vector register 43

### IPR

Interrupt priority register 29

### ISPR

Interrupt stack pointer register 30

### ISR

Interrupt status register 30

### IVO0-7

Interrupt vector0-7 address registers 27

### P

#### PCDR

Port control direction 14

#### PCSR

Port Control Sensitivity 14

#### PICR

Port/interrupt control register 42

### S

#### SCOR

SIO sequence control register 36

#### SCR

SIO control register 36

### SER

SIO Enable register 38

### SFR

SIO Frequency register 38

### SRDR

SIO Receive data register 40

### SSR

SIO Status register 39

### STDR

SIO Transmit data register 40

### T

#### TCR0-1

Timer control register 31

#### TCVR0-1

Timer current value register 33

#### TEVR0-1

Timer end value register 33

#### TSVR0-1

Timer start value register 32

### X

#### XER0/1

X-memory space control registers 20

### Y

#### YER0/1

Y-memory space control registers 20

## Notes

---

Information furnished is believed to be accurate and reliable. However, SGS-THOMSON Microelectronics assumes no responsibility for the consequences of use of such information nor for any infringement of patents or other rights of third parties which may result from its use. No license is granted by implication or otherwise under any patent or patent rights of SGS-THOMSON Microelectronics. Specifications mentioned in this publication are subject to change without notice. This publication supersedes and replaces all information previously supplied. SGS-THOMSON Microelectronics products are not authorized for use as critical components in life support devices or systems without the express written approval of SGS-THOMSON Microelectronics.

©1997 SGS-THOMSON Microelectronics - All rights reserved.

SGS-THOMSON Microelectronics Group of Companies  
Australia - Brazil - Canada - China - France - Germany - Hong Kong - Italy - Japan - Korea - Malaysia - Malta - Morocco  
The Netherlands - Singapore - Spain - Sweden - Switzerland - Taiwan - Thailand - United Kingdom - U.S.A.