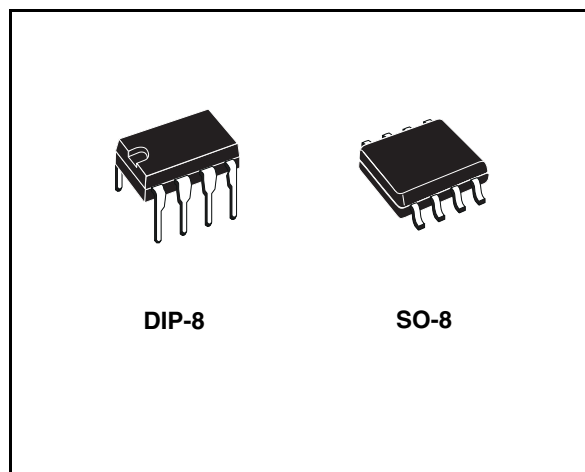


3.3 V powered, 15 kV ESD protected,  
up to 12 Mbps RS-485/RS-422 transceiver

## Features

- ESD protection
  - ±15 kV human body model
  - ±8 kV IEC 1000-4-2 contact discharge
- Operate from a single 3.3 V supply - no charge pump required
- Interoperable with 5 V logic
- 1  $\mu$ A low current shutdown mode max
- Guaranteed 12 Mbps data rate
- -7 to 12 V common mode input voltage range
- Half duplex versions available
- Industry standard 75176 pinout
- Current limiting and thermal shutdown for driver overload protection
- Guaranteed high receiver output state for floating inputs with no signal present
- Allow up to 64 transceivers on the bus



Driver is short-circuit current limited and is protected against excessive power dissipation by thermal shutdown circuitry that places the driver outputs into a high-impedance state.

## Description

The ST3485E is  $\pm 15$  kV ESD protected, 3.3 V low power transceiver for RS-485 and RS-422 communications. The device contains one driver and one receiver in half duplex configuration. The ST3485E transmits and receives at a guaranteed data rate of at least 12 Mbps.

All transmitter outputs and receiver inputs are protected to  $\pm 15$  kV using Human Body Model.

**Table 1. Device summary**

Order code	Temperature range	Package	Packaging
ST3485ECN	0 to 70 °C	DIP-8	50 parts per tube / 40 tube per box
ST3485ECDR	0 to 70 °C	SO-8 (tape and reel)	2500 parts per reel
ST3485EBDR	-40 to 85 °C	SO-8 (tape and reel)	2500 parts per reel

# Contents

1	Pin configuration .....	3
2	Truth tables .....	4
3	Maximum ratings .....	5
4	Electrical characteristics .....	6
5	Test circuits and typical characteristics .....	9
6	Package mechanical data .....	17
7	Revision history .....	21

# 1 Pin configuration

Figure 1. Pin connections

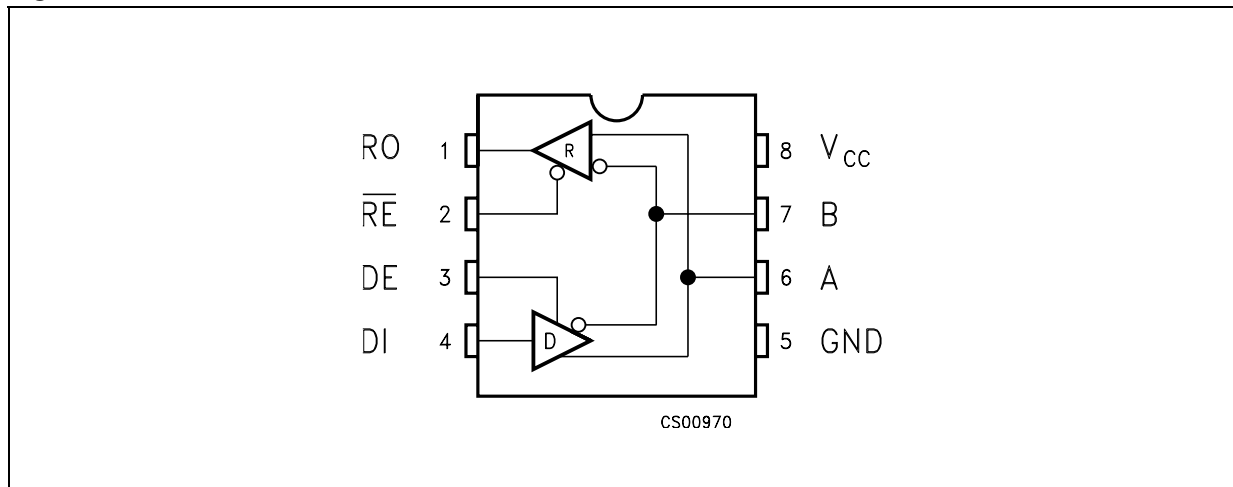


Table 2. Pin description

Pin n°	Symbol	Name and function
1	RO	Receiver output. If $A > B$ by 200mV, RO will be high; if $A < B$ by 200mV, RO will be low
2	$\overline{RE}$	Receiver output enable. RO is enabled when RE is low; RO is high impedance when RE is high. If RE is high and DE is low, the device will enter a low power shutdown mode.
3	DE	Driver output enable. The driver outputs are enabled by bringing DE high. They are high impedance when DE is low. If RE is high DE is low, the device will enter a low-power shutdown mode. If the driver outputs are enabled, the part functions as line driver, while they are high impedance, it functions as line receivers if RE is low.
4	DI	Driver input. A low on DI forces output A low and output B high. Similarly, a high on DI forces output A high and output B low
5	GND	Ground
6	A	Non-inverting receiver input and non-inverting driver output
7	B	Inverting receiver input and inverting driver output
8	$V_{CC}$	Supply voltage: $V_{CC} = 3V$ to $3.6V$

## 2 Truth tables

**Table 3. Truth table (driver)**

Inputs			Outputs		Mode
RE	DE	DI	B	A	
X	H	H	L	H	Normal
X	H	L	H	L	Normal
L	L	X	Z	Z	Normal
H	L	X	Z	Z	Shutdown

Note: X= Don't care; Z=High impedance

**Table 4. Truth table (receiver)**

Inputs			Output	Mode
RE	DE	A-B	RO	
L	L	$\geq 0.2V$	H	Normal
L	L	$\leq 0.2V$	L	Normal
L	L	Inputs Open	H	Normal
H	L	X	Z	Shutdown

Note: X= Don't care; Z=High impedance

### 3 Maximum ratings

**Table 5. Absolute maximum ratings**

Symbol	Parameter	Value	Unit
$V_{CC}$	Supply voltage	7	V
$V_I$	Control input voltage ( $\overline{RE}$ , DE)	-0.3 to 7	V
$V_{DI}$	Driver input voltage (DI)	-0.3 to 7	V
$V_{DO}$	Driver output voltage (A, B)	$\pm 14$	V
$V_{RI}$	Receiver input voltage (A, B)	$\pm 14$	V
$V_{RO}$	Receiver output voltage (RO)	-0.3 to ( $V_{CC} + 0.3$ )	V

*Note: Absolute maximum ratings are those values beyond which damage to the device may occur. Functional operation under these condition is not implied.*

**Table 6. ESD performance: transmitter outputs, receiver inputs**

Symbol	Parameter	Test conditions	Min.	Typ.	Max.	Unit
ESD	ESD protection voltage	Human body model		$\pm 15$		kV
ESD	ESD protection voltage	IEC-1000-4-2 Contact discharge		$\pm 8$		kV

## 4 Electrical characteristics

**Table 7. Electrical characteristics**

$V_{CC} = 3\text{ V to }3.6\text{ V}$ ,  $T_A = -40\text{ to }85\text{ }^\circ\text{C}$ , unless otherwise specified. Typical values are referred to  $T_A = 25\text{ }^\circ\text{C}$ )

Symbol	Parameter	Test conditions	Min.	Typ.	Max.	Unit	
$I_{SUPPLY}$	$V_{CC}$ Power supply current	No Load, $DI=0V$ or $V_{CC}$	$DE=V_{CC}$ , $\overline{RE}=0V$ or $V_{CC}$		1.3	2.2	mA
			$DE=0V$ , $\overline{RE}=0V$		1.2	1.9	mA
$I_{SHDN}$	Shutdown supply current	$DE=0V$ , $RE=V_{CC}$ , $DI=0V$ or $V_{CC}$		0.002	1	$\mu\text{A}$	

**Table 8. Logic input electrical characteristics**

$V_{CC} = 3\text{ V to }3.6\text{ V}$ ,  $T_A = -40\text{ to }85\text{ }^\circ\text{C}$ , unless otherwise specified. Typical values are referred to  $T_A = 25\text{ }^\circ\text{C}$ )

Symbol	Parameter	Test conditions	Min.	Typ.	Max.	Unit
$V_{IL}$	Input logic threshold low	$DE, DI, RE$		1.3	0.8	V
$V_{IH}$	Input logic threshold high	$DE, DI, RE$	2			V
$I_{IN1}$	Logic input current	$DE, DI, RE$			$\pm 2.0$	$\mu\text{A}$
$I_{IN2}$	Input current (A, B)	$DE=0V$ , $V_{CC}= 0$ or $3.6V$	$V_{IN}=12V$		1	mA
			$V_{IN}=-7V$		-0.8	mA

**Table 9. Transmitter electrical characteristics**

$V_{CC} = 3\text{ V to }3.6\text{ V}$ ,  $T_A = -40\text{ to }85\text{ }^\circ\text{C}$ , unless otherwise specified. Typical values are referred to  $T_A = 25\text{ }^\circ\text{C}$ )

Symbol	Parameter	Test conditions	Min.	Typ.	Max.	Unit
$V_{OD}$	Differential drive output	$R_L = 100\Omega$ (RS-422) ( <i>Figure 1</i> )	2			V
		$R_L = 54\Omega$ (RS-485) ( <i>Figure 1</i> )	1.5			V
		$R_L = 60\Omega$ (RS-485) ( <i>Figure 2</i> )	1.5			V
$\Delta V_{OD}$	Change in magnitude of driver differential output voltage for complementary output states ( <i>Note: 1</i> )	$R_L = 54\Omega$ or $100\Omega$ ( <i>Figure 1</i> )			0.2	V
$V_{OC}$	Driver common mode output voltage	$R_L = 54\Omega$ or $100\Omega$ ( <i>Figure 1</i> )			3	V
$\Delta V_{OC}$	Change in magnitude of driver common mode output voltage ( <i>Note: 1</i> )	$R_L = 54\Omega$ or $100\Omega$ ( <i>Figure 1</i> )			0.2	V
$I_{OSD}$	Driver short circuit output current				$\pm 250$	mA

**Table 10. Receiver electrical characteristics**

$V_{CC} = 3\text{ V to }3.6\text{ V}$ ,  $T_A = -40\text{ to }85\text{ }^\circ\text{C}$ , unless otherwise specified. Typical values are referred to  $T_A = 25^\circ\text{C}$ )

Symbol	Parameter	Test conditions	Min.	Typ.	Max.	Unit
$V_{TH}$	Receiver differential threshold voltage	$V_{CM} = -7\text{V to }12\text{V}$ , $DE = 0$	-0.2		0.2	V
$\Delta V_{TH}$	Receiver input hysteresis	$V_{CM} = 0\text{V}$		70		V
$V_{OH}$	Receiver output high voltage	$I_{OUT} = -4\text{mA}$ , $V_{ID} = 200\text{mV}$ (Figure 8 and Figure 9)	2			V
$V_{OL}$	Receiver output low voltage	$I_{OUT} = 4\text{mA}$ , $V_{ID} = -200\text{mV}$ , (Figure 3)			0.4	V
$I_{OZR}$	3-State (high impedance) output current at receiver	$V_{CC} = 3.6\text{V}$ , $V_O = 0\text{V to }V_{CC}$			$\pm 1$	$\mu\text{A}$
$R_{RIN}$	Receiver input resistance	$V_{CM} = -7\text{V to }12\text{V}$	24			k $\Omega$
$I_{OSR}$	Receiver short-circuit current	$V_{RO} = 0\text{V to }V_{CC}$	7		60	mA

**Table 11. Driver switching characteristics**

$V_{CC} = 3\text{ V to }3.6\text{ V}$ ,  $T_A = -40\text{ to }85\text{ }^\circ\text{C}$ , unless otherwise specified. Typical values are referred to  $T_A = 25\text{ }^\circ\text{C}$ )

Symbol	Parameter	Test conditions	Min.	Typ.	Max.	Unit
$D_R$	Maximum data rate		12	15		Mbps
$t_{DD}$	Differential output delay	$R_L = 60\Omega$ , $C_L = 15\text{pF}$ , (Figure 4 and Figure 5)		18	30	ns
$t_{TD}$	Differential output transition time	$R_L = 60\Omega$ , $C_L = 15\text{pF}$ , (Figure 4 and Figure 5)		12	20	ns
$t_{PLH}$ $t_{PHL}$	Propagation delay	$R_L = 27\Omega$ , $C_L = 15\text{pF}$ , (Figure 8 and Figure 9)		18	30	ns
$t_{PDS}$	$ t_{PLH} - t_{PHL} $ Propagation delay skew (Note 2)	$R_L = 27\Omega$ , $C_L = 15\text{pF}$ , (Figure 8 and Figure 9)		2	5	ns
$t_{PZL}$	Output enable time	$R_L = 110\Omega$ , (Figure 10 and Figure 11)		19	35	ns
$t_{PZH}$	Output enable time	$R_L = 110\Omega$ , (Figure 6 and Figure 7)		30	50	ns
$t_{PHZ}$	Output disable time	$R_L = 110\Omega$ , (Figure 6 and Figure 7)		19	35	ns
$t_{PLZ}$	Output disable time	$R_L = 110\Omega$ , (Figure 10 and Figure 11)		30	50	ns
$t_{SKEW}$	Differential output delay skew			1	3	ns
$t_{ZH(SHDN)}$	Driver enable from shutdown to output high			30	50	ns
$t_{ZL(SHDN)}$	Driver enable from shutdown to output low			19	35	ns

**Table 12. Receiver switching characteristics**

$V_{CC} = 3\text{ V to }3.6\text{ V}$ ,  $T_A = -40\text{ to }85\text{ }^\circ\text{C}$ , unless otherwise specified. Typical values are referred to  $T_A = 25\text{ }^\circ\text{C}$ )

Symbol	Parameter	Test conditions	Min.	Typ.	Max.	Unit
$t_{PLH}$ $t_{PHL}$	Propagation delay	$V_{ID} = 0\text{V to }3\text{V}$ , $C_{L1} = 15\text{pF}$ ( <i>Figure 12</i> and <i>Figure 13</i> )		30	50	ns
$t_{RPDS}$	$ t_{PLH} - t_{PHL} $ Propagation delay skew	$V_{ID} = 0\text{V to }3\text{V}$ , $C_{L1} = 15\text{pF}$ ( <i>Figure 12</i> and <i>Figure 13</i> )		1	3	ns
$t_{PZL}$	Output enable time	$C_{RL} = 15\text{pF}$ , ( <i>Figure 14</i> and <i>Figure 18</i> )		10	20	ns
$t_{PZH}$	Output enable time	$C_{RL} = 15\text{pF}$ , ( <i>Figure 14</i> and <i>Figure 18</i> )		10	20	ns
$t_{PHZ}$	Output disable time	$C_{RL} = 15\text{pF}$ , ( <i>Figure 14</i> and <i>Figure 18</i> )		10	20	ns
$t_{PLZ}$	Output disable time	$C_{RL} = 15\text{pF}$ , ( <i>Figure 14</i> and <i>Figure 18</i> )		10	20	ns
$t_{ZH(SHDN)}$	Receiver enable from shutdown to output high	$C_{RL} = 15\text{pF}$ , ( <i>Figure 14</i> and <i>Figure 18</i> )		10	20	ns
$t_{ZL(SHDN)}$	Receiver enable from shutdown to output low	$C_{RL} = 15\text{pF}$ , ( <i>Figure 14</i> and <i>Figure 18</i> )		20	40	$\mu\text{s}$

- Note: 1  $\Delta V_{OD}$  and  $\Delta V_{OC}$  are the changes in  $V_{OD}$  and  $V_{OC}$ , respectively, when the DI input changes state.
- 2 Measured on  $|t_{PLH(A)} - t_{PHL(A)}|$  and  $|t_{PLH(B)} - t_{PHL(B)}|$
- 3 The transceivers are put into shutdown by bring RE high and DE low. If the input are in state for less than 80 ns, the part are guaranteed not to enter shutdown. If the inputs are in this state for at least 300 ns, the parts are guaranteed to have entered shutdown.



## 5 Test circuits and typical characteristics

Figure 2. Driver and  $V_{OC}$  test load

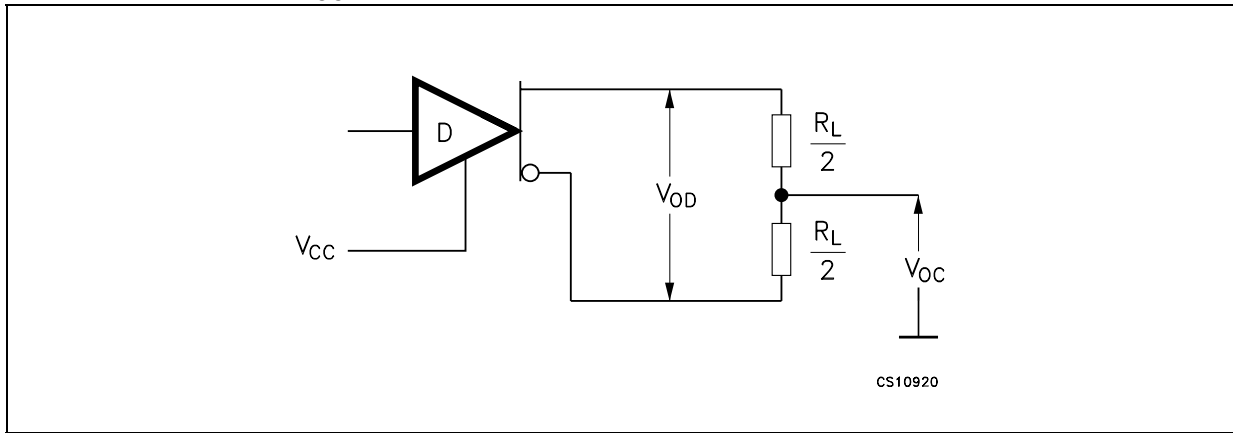


Figure 3. Driver  $V_{OD}$  with varying common mode voltage test load

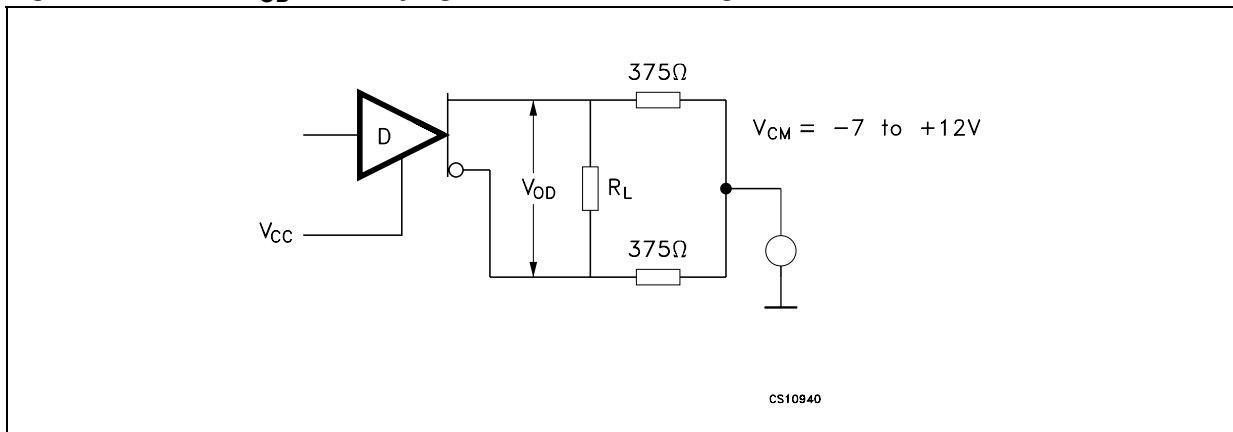


Figure 4. Receiver  $V_{OH}$  and  $V_{OL}$  test circuit

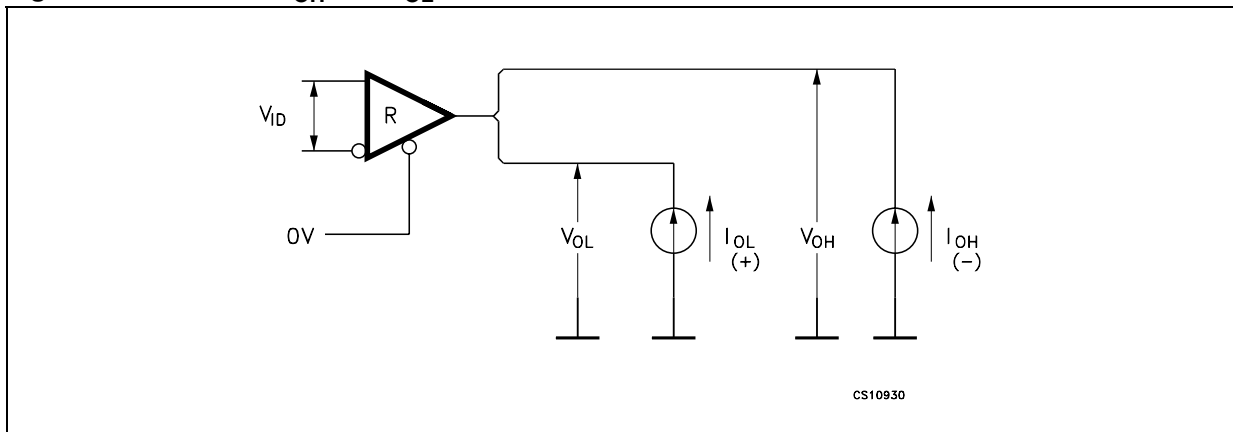


Figure 5. Drive differential output delay transition time test circuit

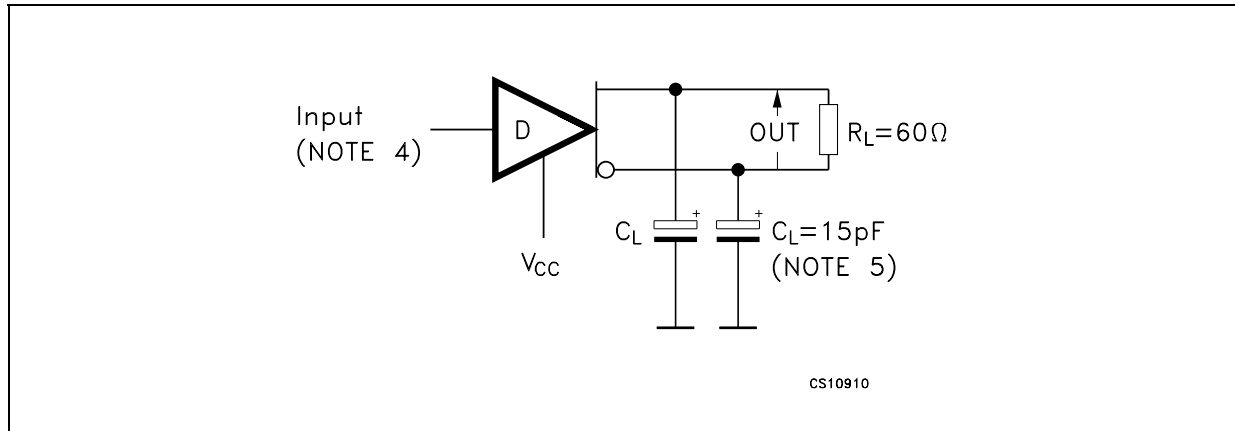


Figure 6. Drive differential output delay transition time waveform

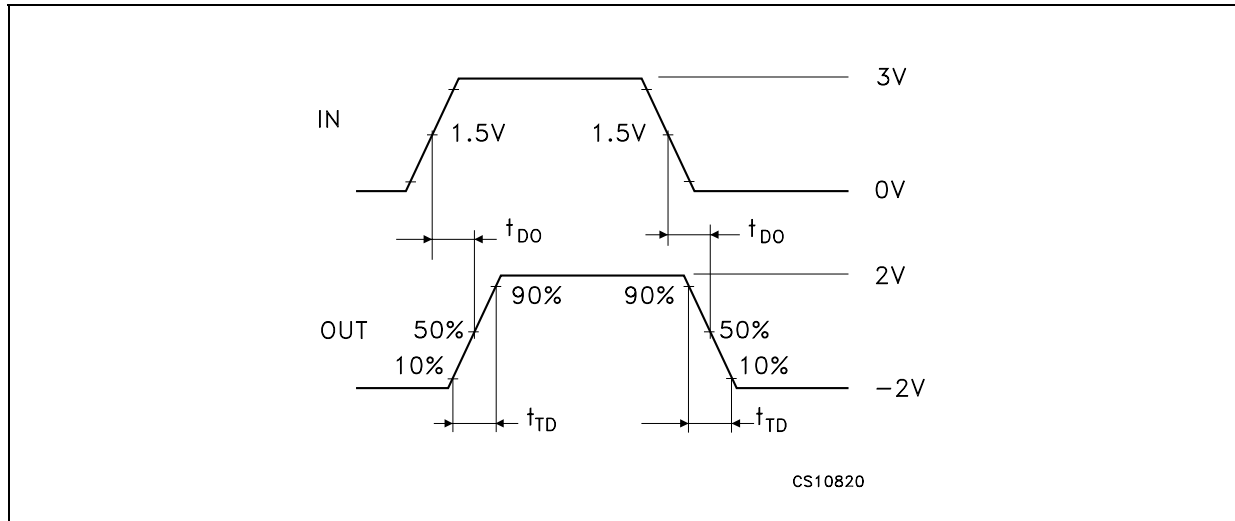


Figure 7. Drive enable and disable times test circuit

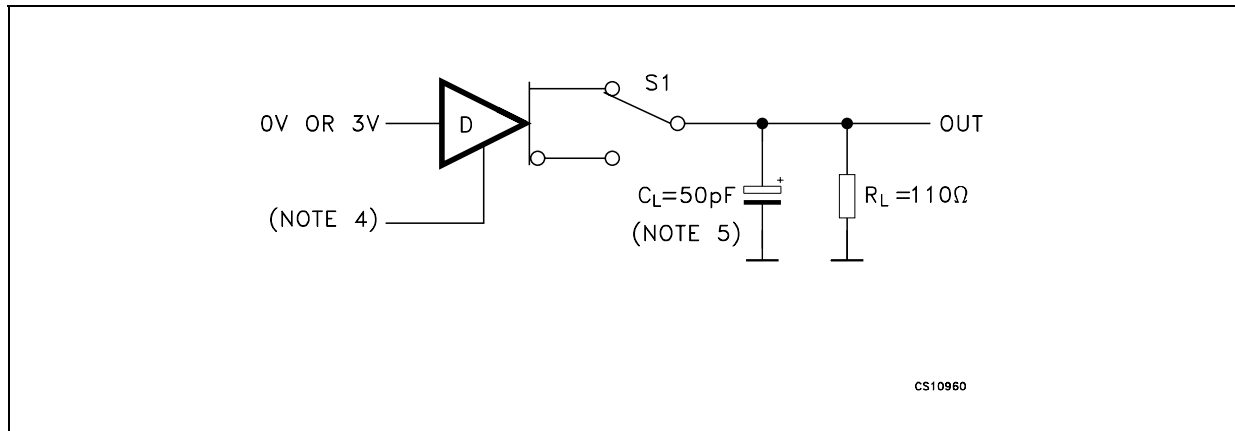


Figure 8. Drive enable and disable times waveforms

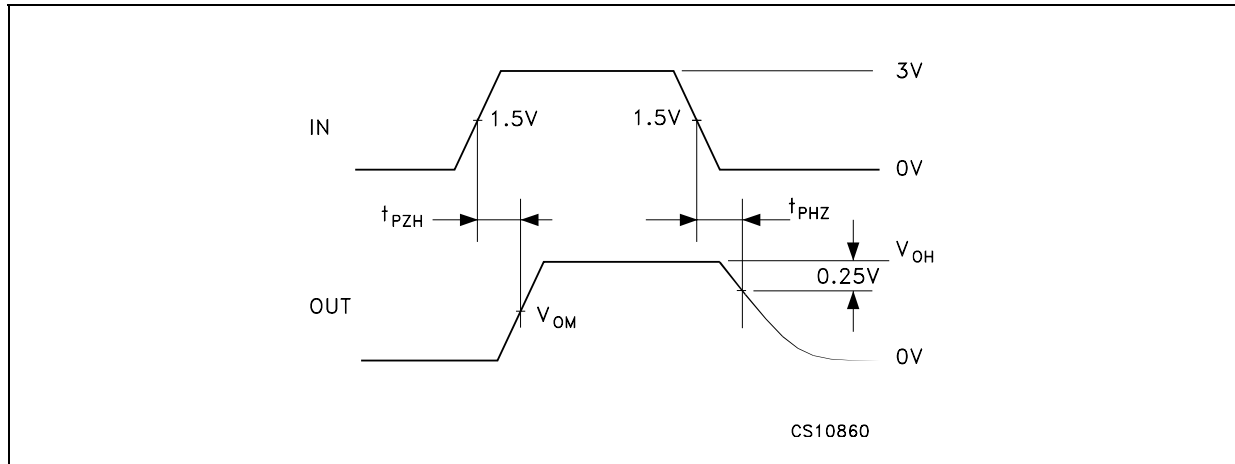


Figure 9. Drive propagation time test circuit

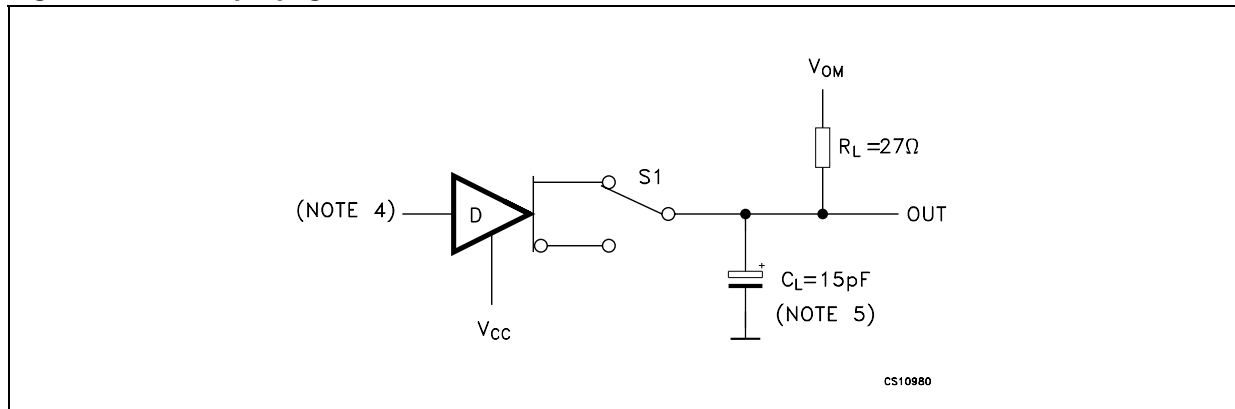


Figure 10. Drive propagation time waveform

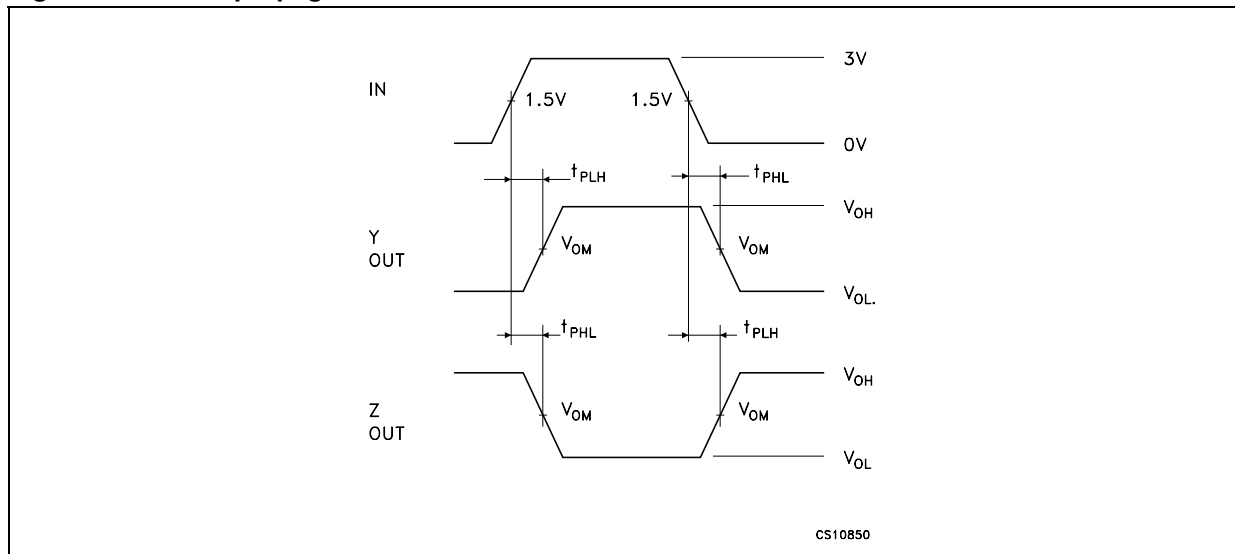


Figure 11. Drive enable and disable times test circuit

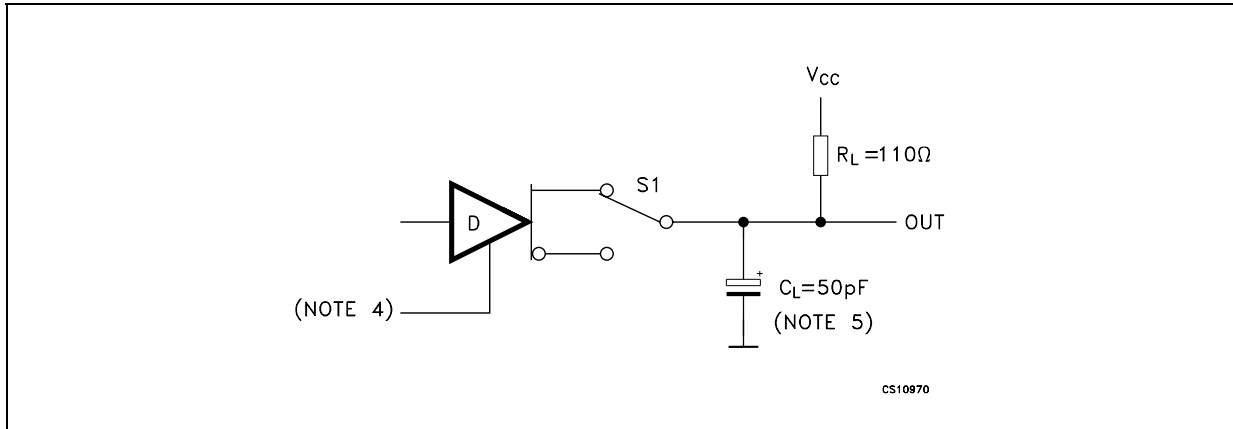


Figure 12. Drive enable and disable times waveforms

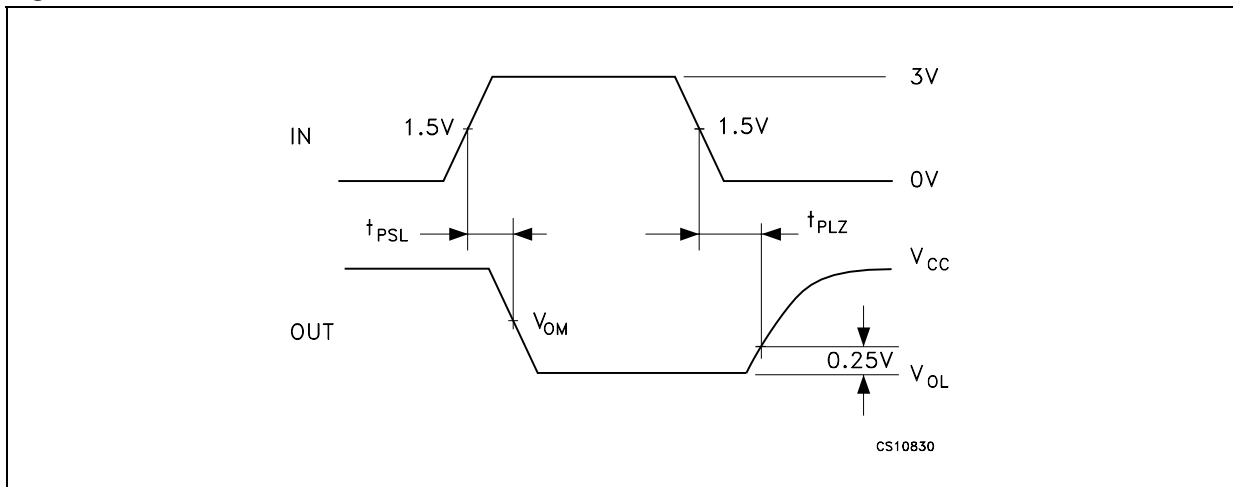


Figure 13. Receiver propagation delay time test circuit

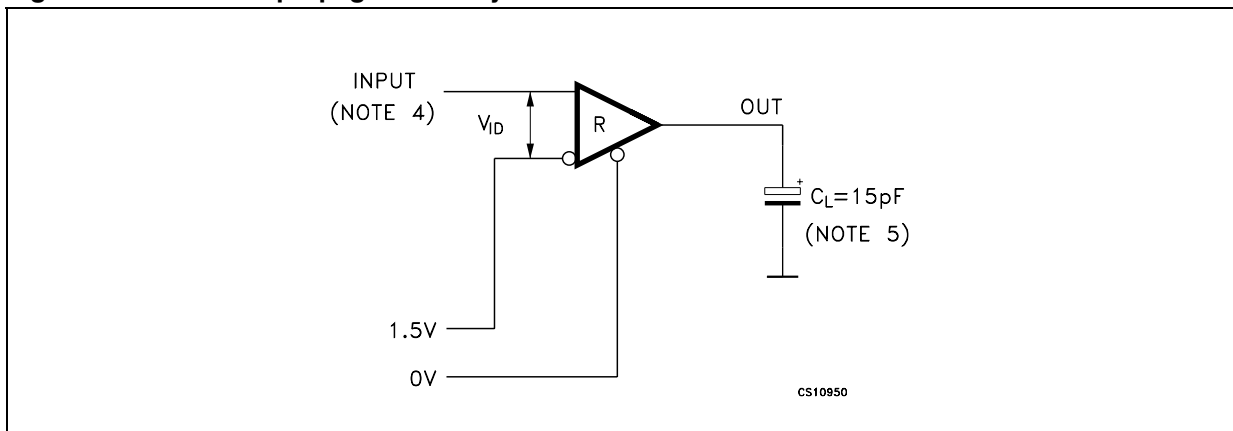


Figure 14. Receiver propagation delay time waveforms

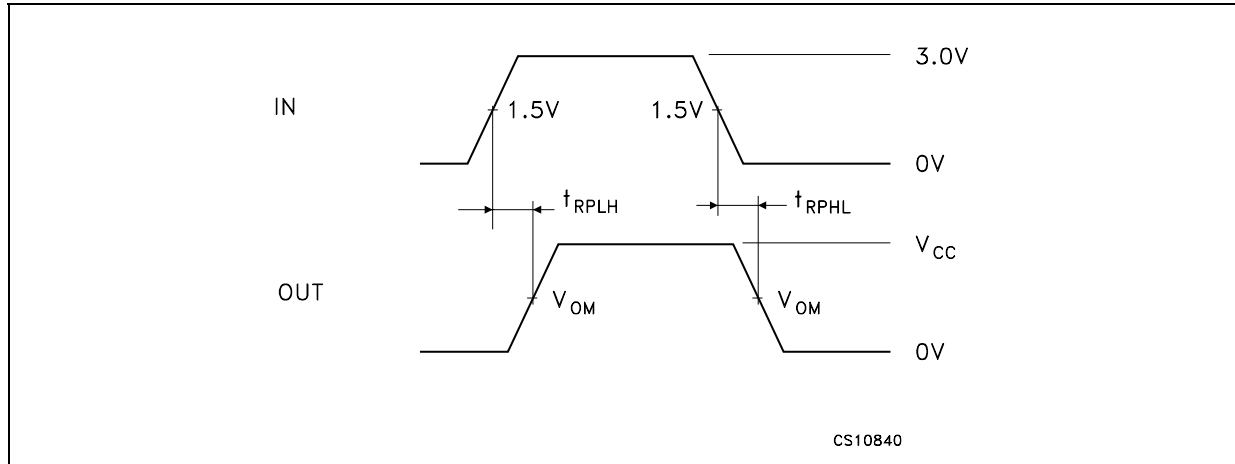


Figure 15. Receiver enable and disable times test circuit

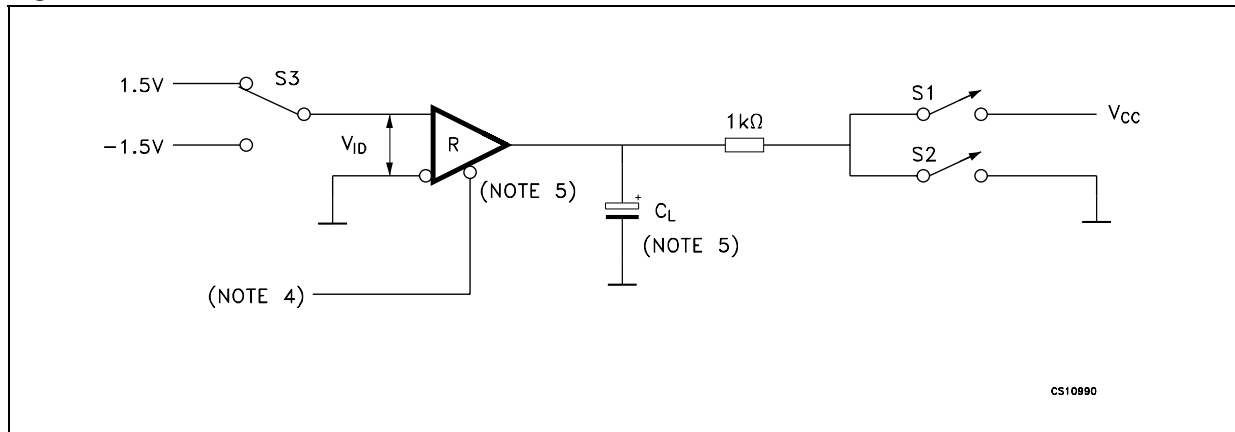


Figure 16. Receiver enable and disable times waveform

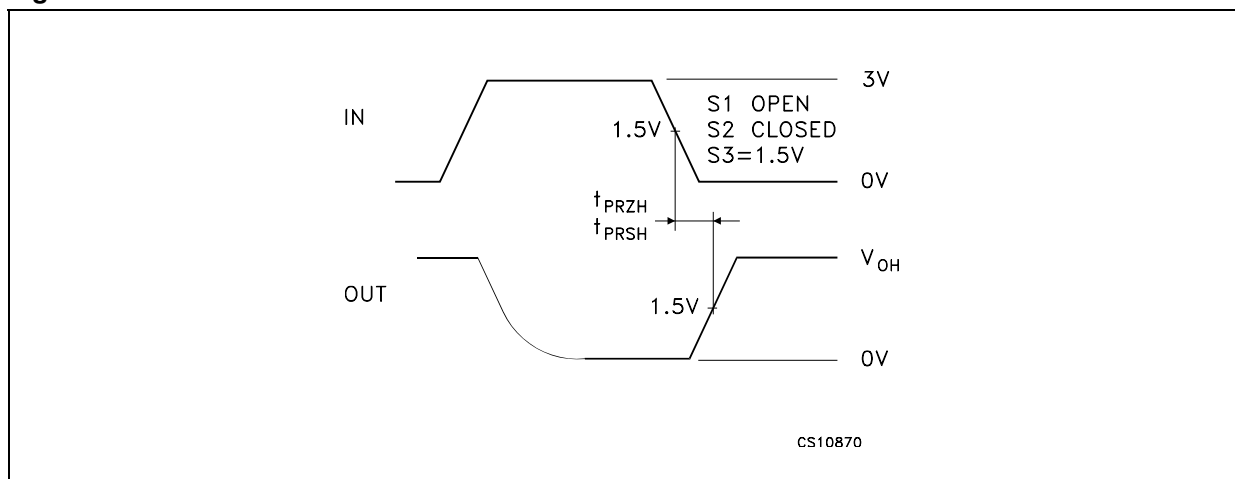


Figure 17. Receiver enable and disable times waveform

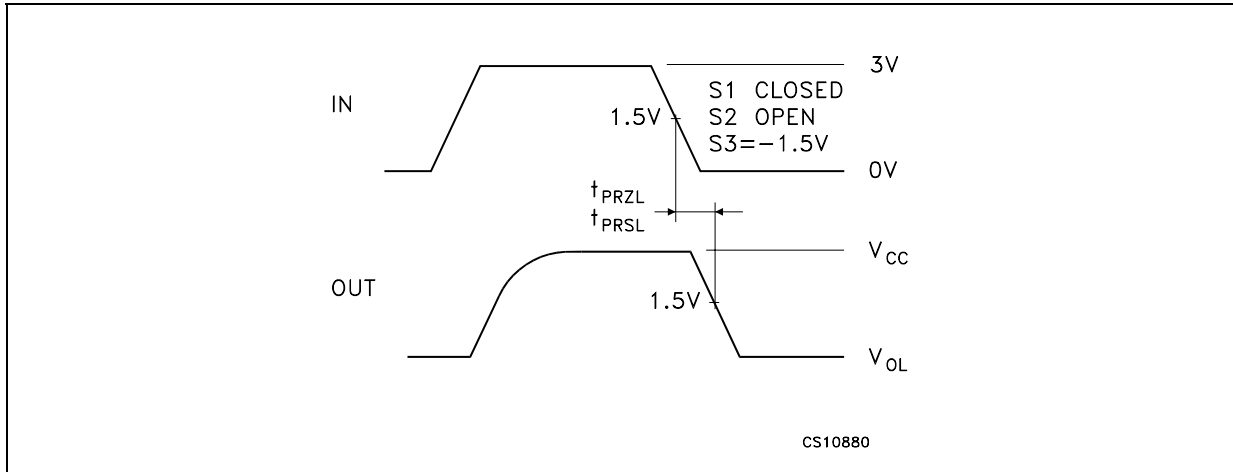


Figure 18. Receiver enable and disable times waveform

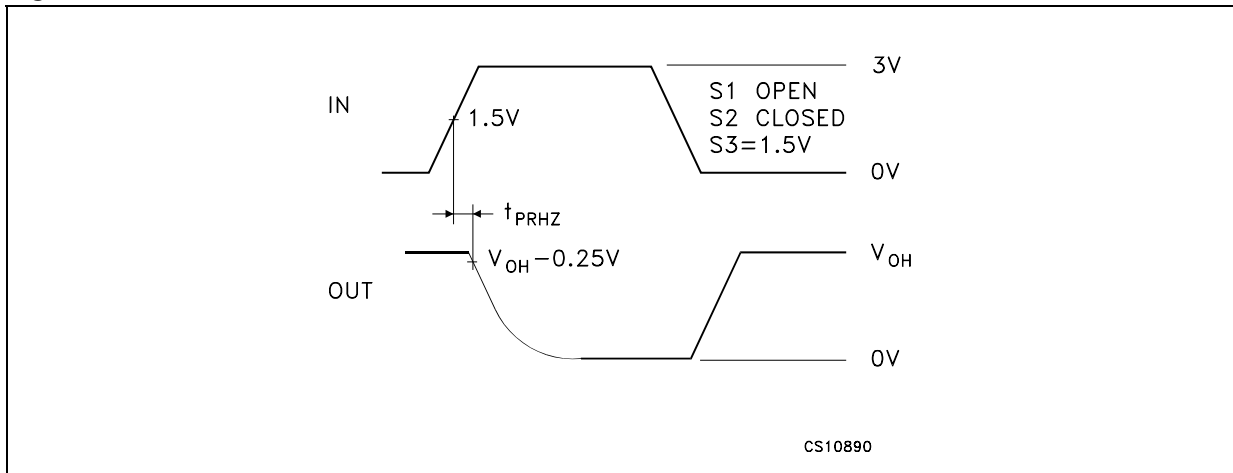
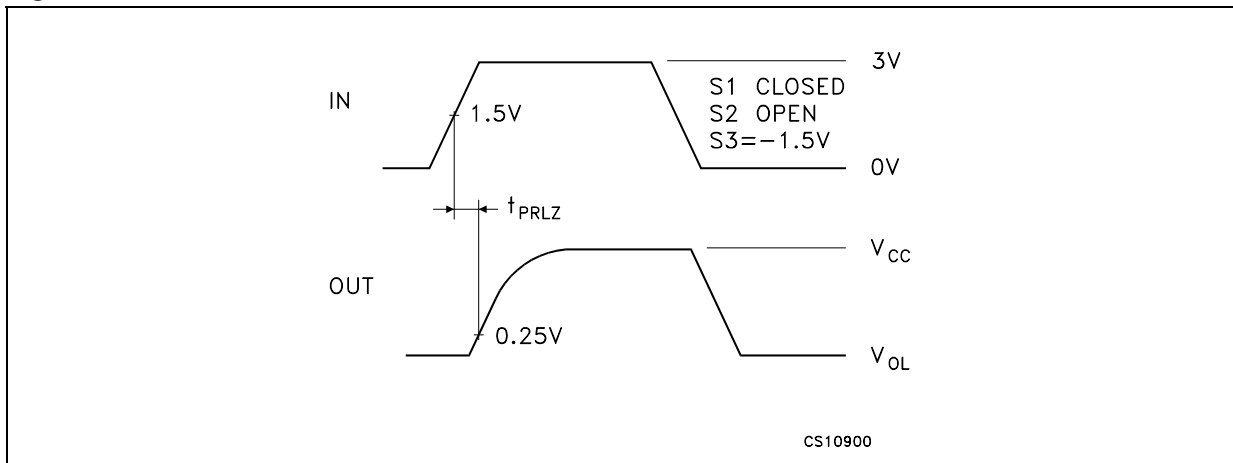
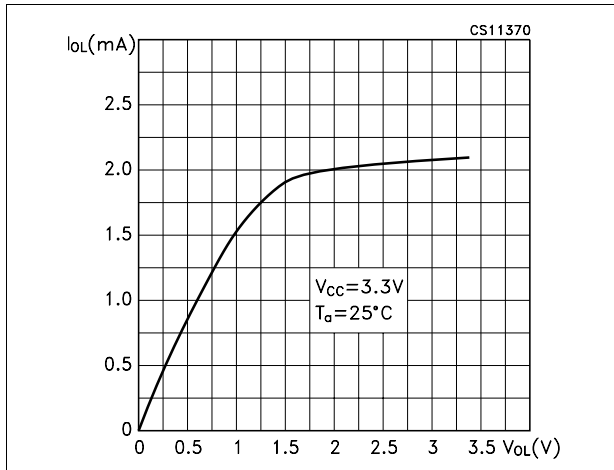


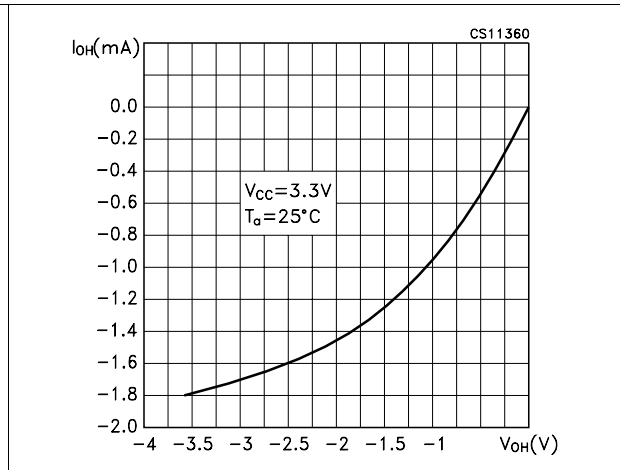
Figure 19. Receiver enable and disable times waveform



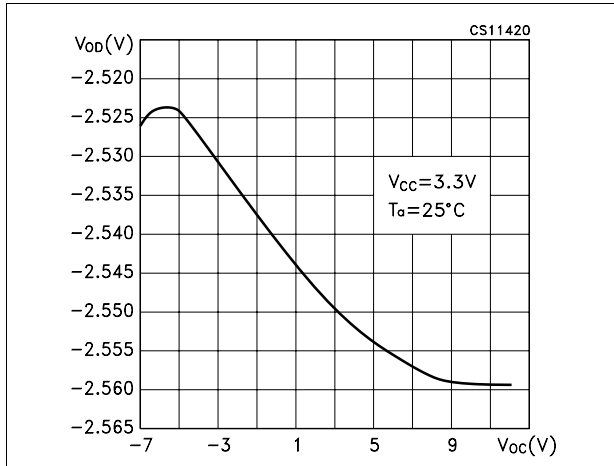
**Figure 20. Receiver output current vs output low voltage**



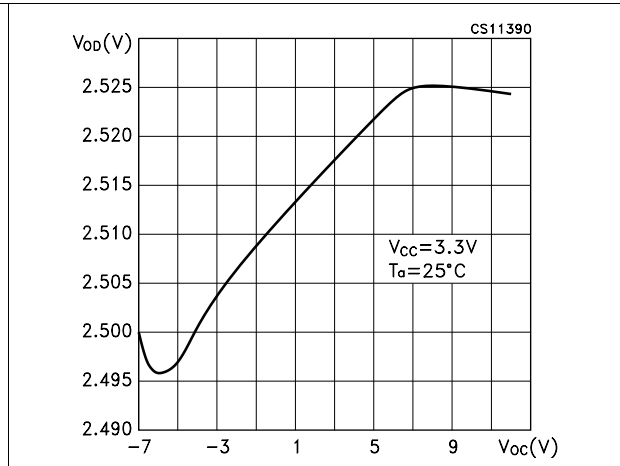
**Figure 21. Receiver output current vs output high voltage**



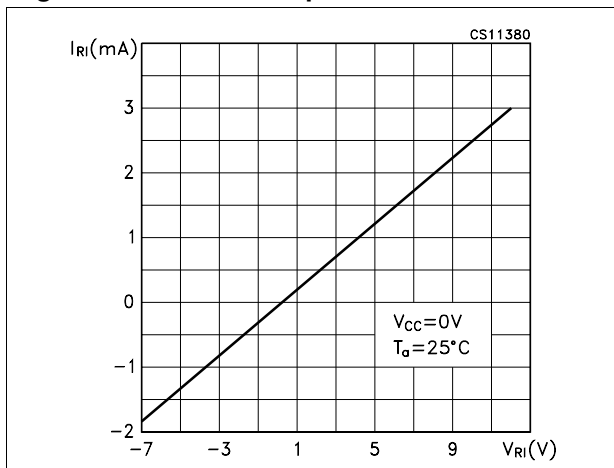
**Figure 22. Low level driver output capability**



**Figure 23. High level driver output capability**



**Figure 24. Receiver input characteristics**



**Figure 25. Driver short circuit current**

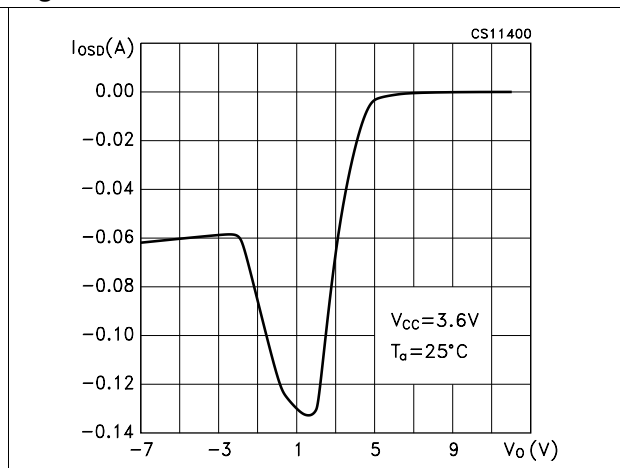
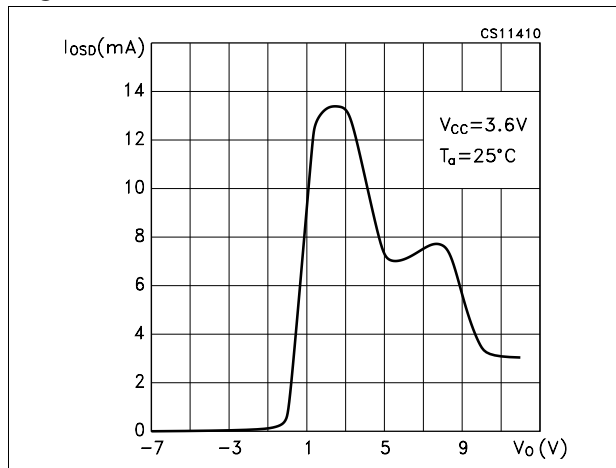


Figure 26. Driver short circuit current



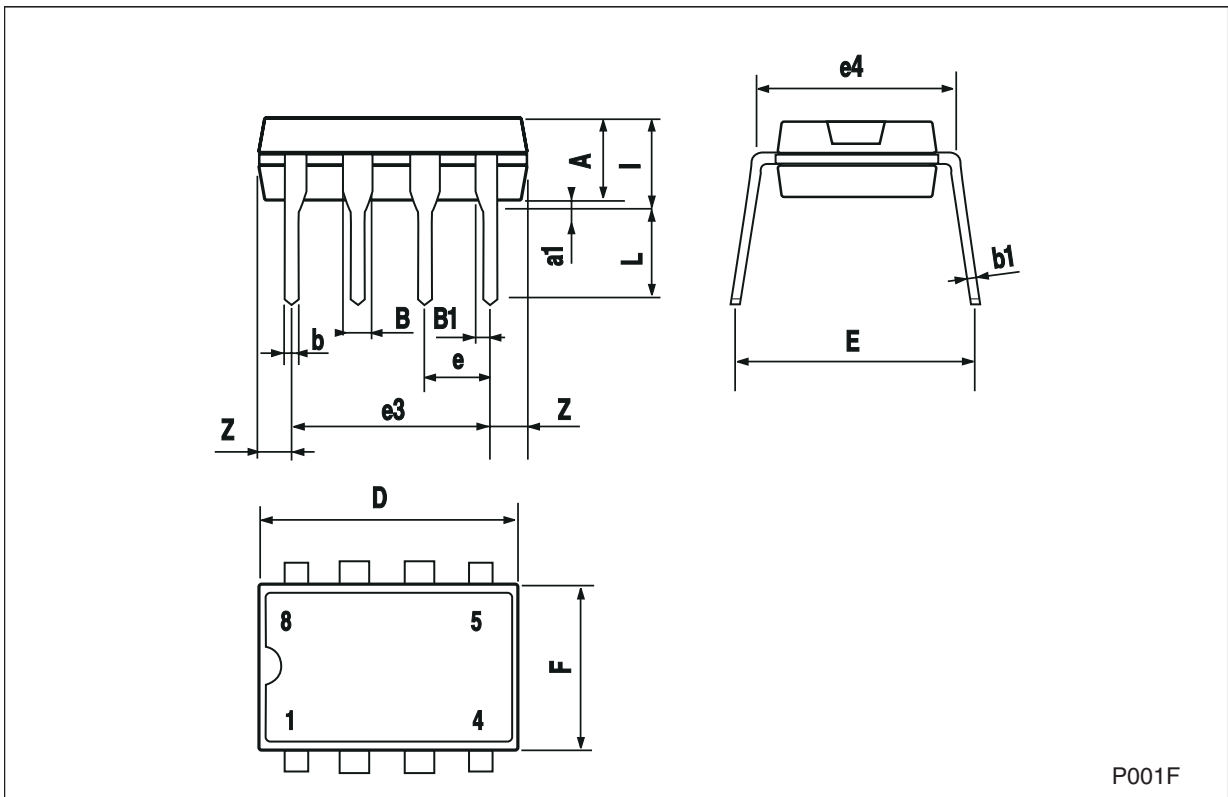


## 6 Package mechanical data

In order to meet environmental requirements, ST offers these devices in ECOPACK® packages. These packages have a lead-free second level interconnect. The category of second level interconnect is marked on the package and on the inner box label, in compliance with JEDEC Standard JESD97. The maximum ratings related to soldering conditions are also marked on the inner box label. ECOPACK is an ST trademark. ECOPACK specifications are available at: [www.st.com](http://www.st.com)

**Plastic DIP-8 mechanical data**

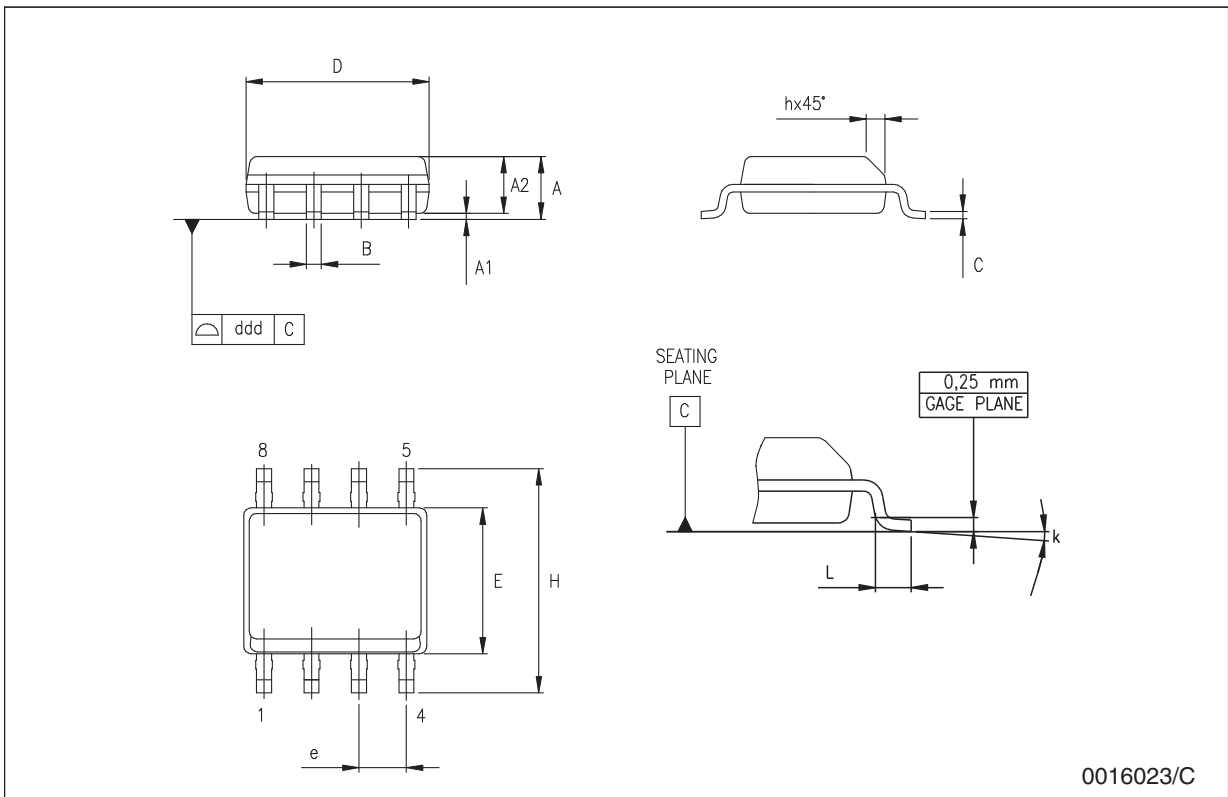
Dim.	mm.			inch.		
	Min.	Typ.	Max.	Min.	Typ.	Max.
A		3.3			0.130	
a1	0.7			0.028		
B	1.39		1.65	0.055		0.065
B1	0.91		1.04	0.036		0.041
b		0.5			0.020	
b1	0.38		0.5	0.015		0.020
D			9.8			0.386
E		8.8			0.346	
e		2.54			0.100	
e3		7.62			0.300	
e4		7.62			0.300	
F			7.1			0.280
l			4.8			0.189
L		3.3			0.130	
Z	0.44		1.6	0.017		0.063



P001F

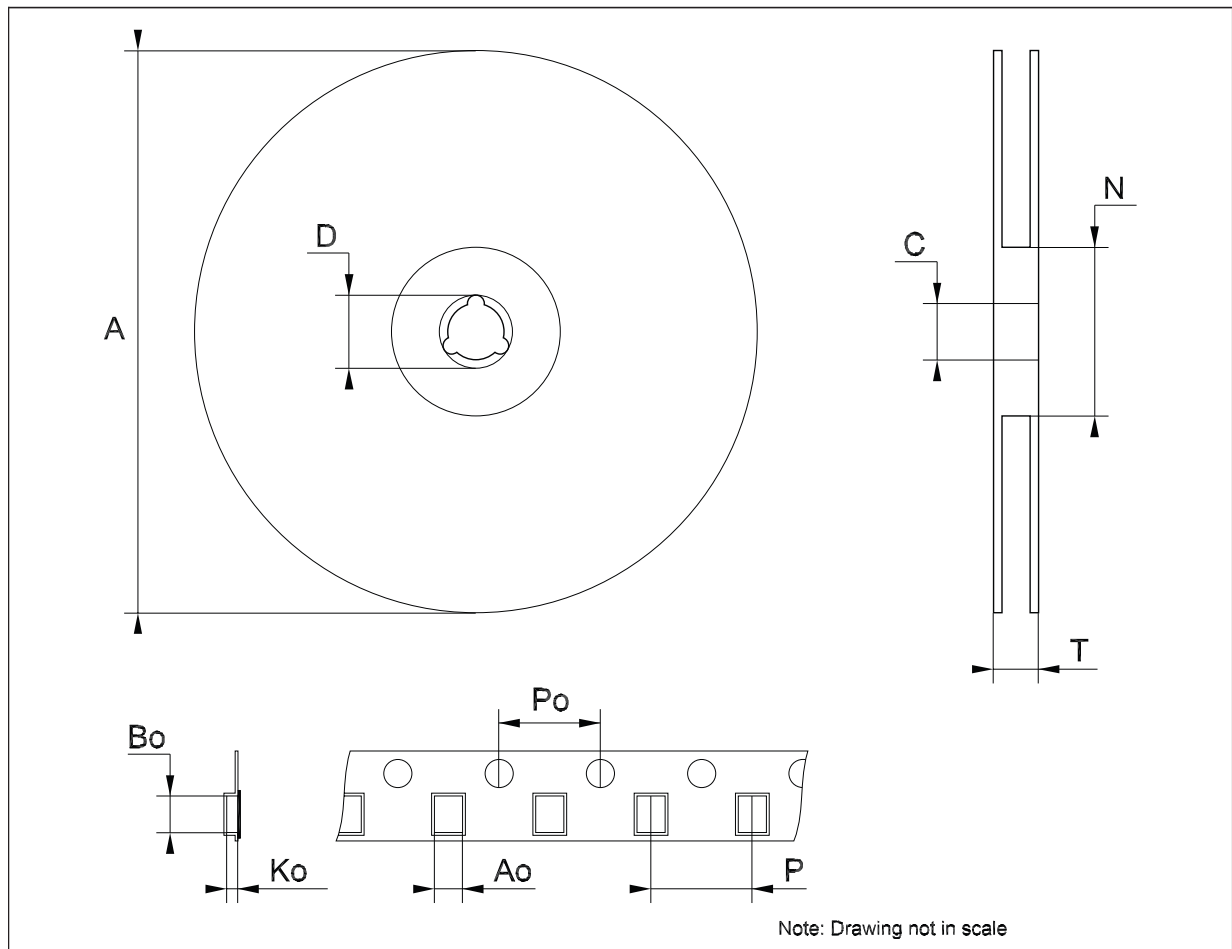
**SO-8 mechanical data**

Dim.	mm.			inch.		
	Min.	Typ.	Max.	Min.	Typ.	Max.
A	1.35		1.75	0.053		0.069
A1	0.10		0.25	0.04		0.010
A2	1.10		1.65	0.043		0.065
B	0.33		0.51	0.013		0.020
C	0.19		0.25	0.007		0.010
D	4.80		5.00	0.189		0.197
E	3.80		4.00	0.150		0.157
e		1.27			0.050	
H	5.80		6.20	0.228		0.244
h	0.25		0.50	0.010		0.020
L	0.40		1.27	0.016		0.050
k	8° (max.)					
ddd			0.1			0.04



**Tape & reel SO-8 mechanical data**

Dim.	mm.			inch.		
	Min.	Typ.	Max.	Min.	Typ.	Max.
A			330			12.992
C	12.8		13.2	0.504		0.519
D	20.2			0.795		
N	60			2.362		
T			22.4			0.882
Ao	8.1		8.5	0.319		0.335
Bo	5.5		5.9	0.216		0.232
Ko	2.1		2.3	0.082		0.090
Po	3.9		4.1	0.153		0.161
P	7.9		8.1	0.311		0.319



## 7 Revision history

**Table 13. Document revision history**

Date	Revision	Changes
20-Jun-2005	2	Mistake on table 12 $t_{ZL(SHDN)}$ ms ==> $\mu$ s.
30-Aug-2005	3	Remove (TRUE) on title, description has been updated in cover page. The $V_{TH}$ and $\Delta V_{TH}$ values are changed in table 10.
07-Apr-2006	4	Order codes updated.
12-Nov-2007	5	Added <a href="#">Table 1</a> .

**Please Read Carefully:**

Information in this document is provided solely in connection with ST products. STMicroelectronics NV and its subsidiaries ("ST") reserve the right to make changes, corrections, modifications or improvements, to this document, and the products and services described herein at any time, without notice.

All ST products are sold pursuant to ST's terms and conditions of sale.

Purchasers are solely responsible for the choice, selection and use of the ST products and services described herein, and ST assumes no liability whatsoever relating to the choice, selection or use of the ST products and services described herein.

No license, express or implied, by estoppel or otherwise, to any intellectual property rights is granted under this document. If any part of this document refers to any third party products or services it shall not be deemed a license grant by ST for the use of such third party products or services, or any intellectual property contained therein or considered as a warranty covering the use in any manner whatsoever of such third party products or services or any intellectual property contained therein.

**UNLESS OTHERWISE SET FORTH IN ST'S TERMS AND CONDITIONS OF SALE ST DISCLAIMS ANY EXPRESS OR IMPLIED WARRANTY WITH RESPECT TO THE USE AND/OR SALE OF ST PRODUCTS INCLUDING WITHOUT LIMITATION IMPLIED WARRANTIES OF MERCHANTABILITY, FITNESS FOR A PARTICULAR PURPOSE (AND THEIR EQUIVALENTS UNDER THE LAWS OF ANY JURISDICTION), OR INFRINGEMENT OF ANY PATENT, COPYRIGHT OR OTHER INTELLECTUAL PROPERTY RIGHT.**

**UNLESS EXPRESSLY APPROVED IN WRITING BY AN AUTHORIZED ST REPRESENTATIVE, ST PRODUCTS ARE NOT RECOMMENDED, AUTHORIZED OR WARRANTED FOR USE IN MILITARY, AIR CRAFT, SPACE, LIFE SAVING, OR LIFE SUSTAINING APPLICATIONS, NOR IN PRODUCTS OR SYSTEMS WHERE FAILURE OR MALFUNCTION MAY RESULT IN PERSONAL INJURY, DEATH, OR SEVERE PROPERTY OR ENVIRONMENTAL DAMAGE. ST PRODUCTS WHICH ARE NOT SPECIFIED AS "AUTOMOTIVE GRADE" MAY ONLY BE USED IN AUTOMOTIVE APPLICATIONS AT USER'S OWN RISK.**

Resale of ST products with provisions different from the statements and/or technical features set forth in this document shall immediately void any warranty granted by ST for the ST product or service described herein and shall not create or extend in any manner whatsoever, any liability of ST.

ST and the ST logo are trademarks or registered trademarks of ST in various countries.

Information in this document supersedes and replaces all information previously supplied.

The ST logo is a registered trademark of STMicroelectronics. All other names are the property of their respective owners.

© 2007 STMicroelectronics - All rights reserved

STMicroelectronics group of companies

Australia - Belgium - Brazil - Canada - China - Czech Republic - Finland - France - Germany - Hong Kong - India - Israel - Italy - Japan - Malaysia - Malta - Morocco - Singapore - Spain - Sweden - Switzerland - United Kingdom - United States of America

[www.st.com](http://www.st.com)