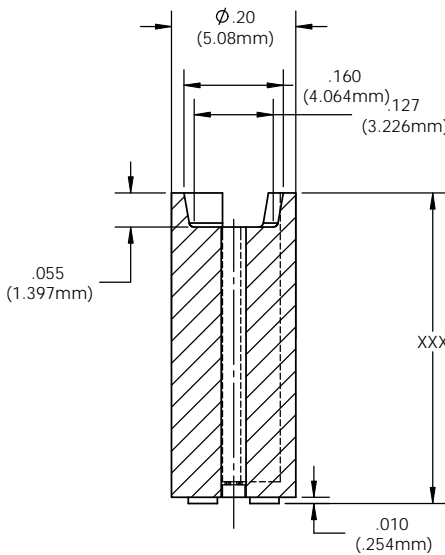
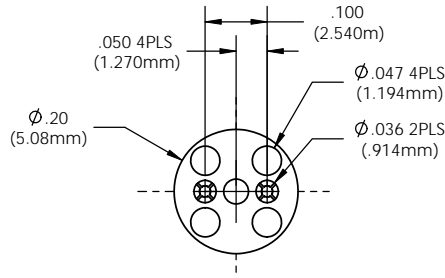


NOTES:
 1) Standoff length selection per Order Table below
 2) U.S. & Foreign Pat. Issued & Pend.

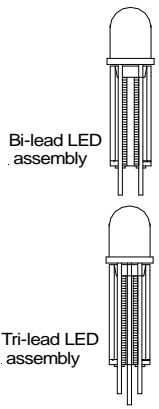
| REVISIONS | | | | |
|-----------|-----|---------------------------|---------|----------|
| ECN # | REV | DESCRIPTION | DATE | INITIALS |
| | N/A | INITIAL RELEASE | 9/01/92 | JS |
| | 001 | REVISED PER ECR111009AZ01 | 2/25/10 | KH |



The plastic body maintains the LED in a vertical position eliminating LED tilting

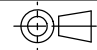
The barrier separate the leads to prevent shorting

Retention tabs hold LED leads in position prior to final PC board assembly



ORDERING CODES: STD XXX BLK

| XXX = LENGTH (.100 to 1.0) | | | | | | | | | |
|----------------------------|-----|-----|-----|-----|-----|-----|-----|-----|------|
| 100 | 200 | 300 | 400 | 500 | 600 | 700 | 800 | 900 | 1000 |
| 110 | 210 | 310 | 410 | 510 | 610 | 710 | 810 | 910 | |
| 120 | 220 | 320 | 420 | 520 | 620 | 720 | 820 | 920 | |
| 130 | 230 | 330 | 430 | 530 | 630 | 730 | 830 | 930 | |
| 140 | 240 | 340 | 440 | 540 | 640 | 740 | 840 | 940 | |
| 150 | 250 | 350 | 450 | 550 | 650 | 750 | 850 | 950 | |
| 160 | 260 | 360 | 460 | 560 | 660 | 760 | 860 | 960 | |
| 170 | 270 | 370 | 470 | 570 | 670 | 770 | 870 | 970 | |
| 180 | 280 | 380 | 480 | 580 | 680 | 780 | 880 | 980 | |
| 190 | 290 | 390 | 490 | 590 | 690 | 790 | 890 | 990 | |

| | | | | | |
|---|--|--|--|--|--|
| <small>UNLESS OTHERWISE SPECIFIED DIMENSIONS ARE IN INCHES</small> <small>ANGLES DECIMALS ±1°</small> <small>FINISH .X ±.020 .XX ±.010 .XXX ±.005</small> <small>BREAK ALL CORNERS AND SHARP EDGES (R1/16)</small>  <small>THIRD ANGLE PROJECTION</small> <small>PROPRIETARY AND CONFIDENTIAL</small> <small>THE INFORMATION CONTAINED IN THIS DRAWING IS THE SOLE PROPERTY OF VISUAL COMMUNICATIONS COMPANY, INC. AND IS REPRODUCED IN PART OR AS A WHOLE WITHOUT THE WRITTEN CONSENT OF VISUAL COMMUNICATIONS COMPANY, INC.</small> | <small>MATERIAL</small> VALOX 310 SEO (BLACK) U.L. 94 V0 | | <small>VISUAL COMMUNICATIONS COMPANY, INC.</small> 190 Bossick Boulevard, Suite 101 San Marcos, CA 92069 USA Phone (760) 560-1300 Fax (760) 560-1301 email vccsales@vccite.com | | |
| | <small>FINISH</small> SEE NOTES | | <small>TITLE:</small> STDxxxBLK | | |
| | <small>APPROVAL</small> DRAWN K.Howard CHECKED DPZ | | <small>DATE</small> 2/25/10 3/1/10 | | <small>SIZE</small> B |
| | <small>DO NOT SCALE DRAWING</small> | | <small>SCALE: 5:1</small> | | <small>REV</small> 001 <small>SHEET 1 OF 1</small> |