

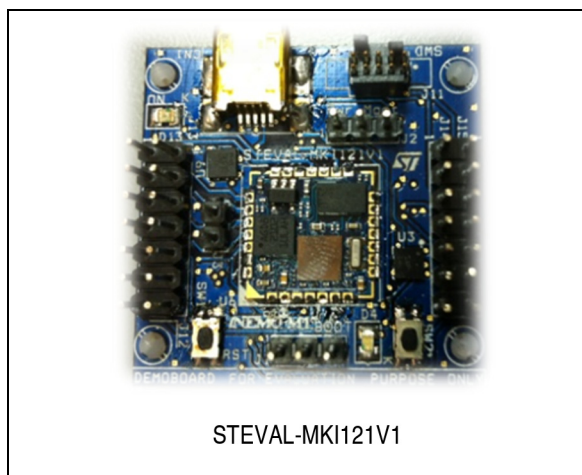


Discovery-M1 board based on the INEMO-M1 system-on-board

Data brief

Features

- Two power supply options: through the USB bus or from one of two external supply voltages, VEXT (from 3.6 to 6 V) or D_VDD (from 2.4 V to 3.3 V)
- INEMO-M1: 9-axis SoB, 13x13x2 mm size factor
- LPS331AP: MEMS pressure sensor 260-1260 mbar absolute digital output barometer
- INEMO-M1 pinout available on two double connectors
- SWD connector for programming and debugging.
- Two pushbuttons (reset and user)
- Two LEDs: user LED, power-on LED
- RoHS compliant



library to quickly support the use of the demonstration board features.

Description

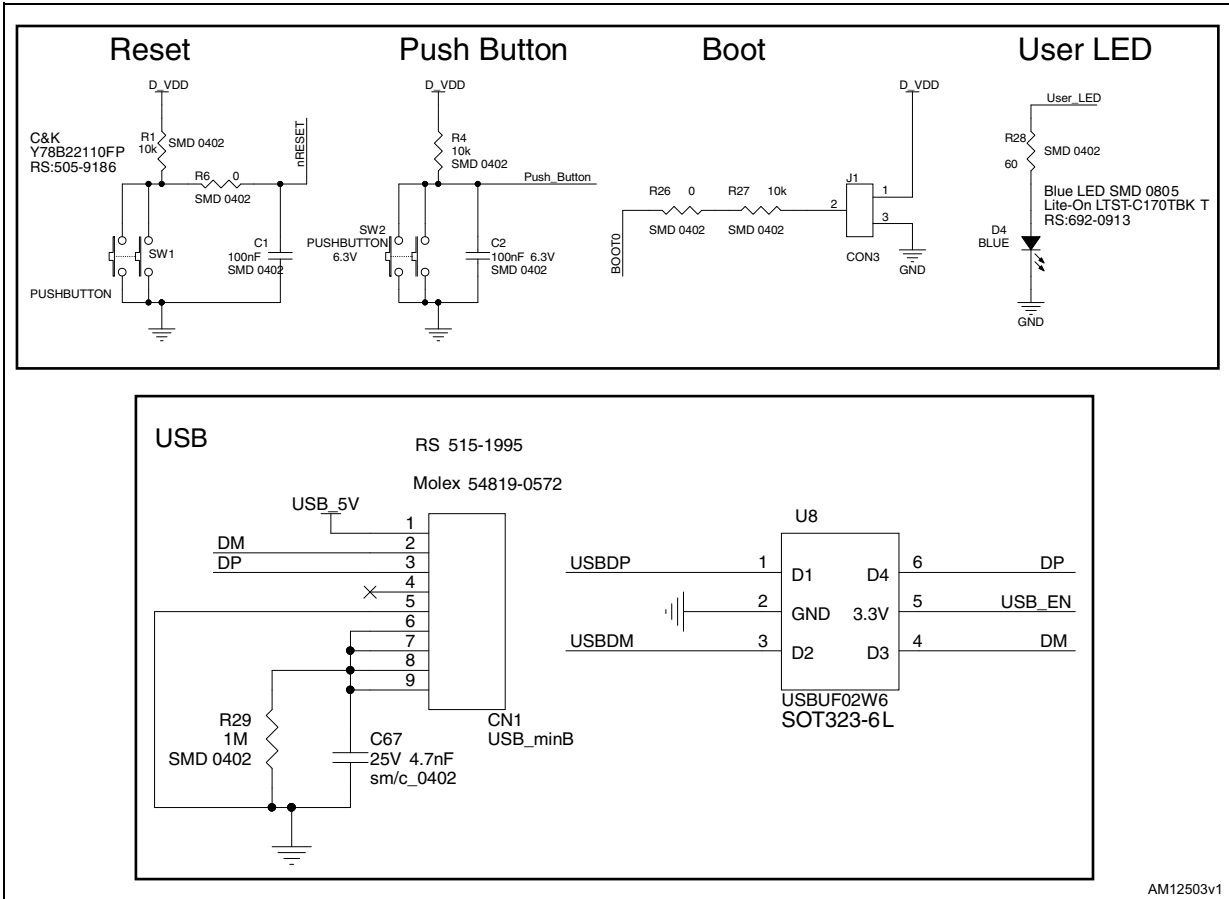
The Discovery-M1 helps to discover the INEMO-M1 performance features and to facilitate its evaluation. The INEMO-M1 is the smallest 9-axis system-on-board (SoB) of the iNEMO module family; it integrates multiple ST sensors with a powerful computational core: a 6-axis geomagnetic module, a 3-axis gyroscope and an ARM Cortex™ M3 32-bit MCU.

The Discovery-M1 based on the INEMO-M1, and including a pressure sensor LPS331AP, represents a complete 10-DoF open platform able to provide fast inertial application development using MEMS sensors and the STM32. The pinout of the two connectors gives a complete set of communication interfaces in a very small size, making the Discovery-M1 a flexible solution for effortless orientation estimation embedded applications.

To aid in user development and analysis, the Discovery-M1 demonstration kit includes a PC GUI for sensor output display and a firmware

1 Schematic diagram

Figure 1. Reset, pushbutton, boot, user LED and USB



AM12503v1

Figure 2. INEMO-M1 SoB

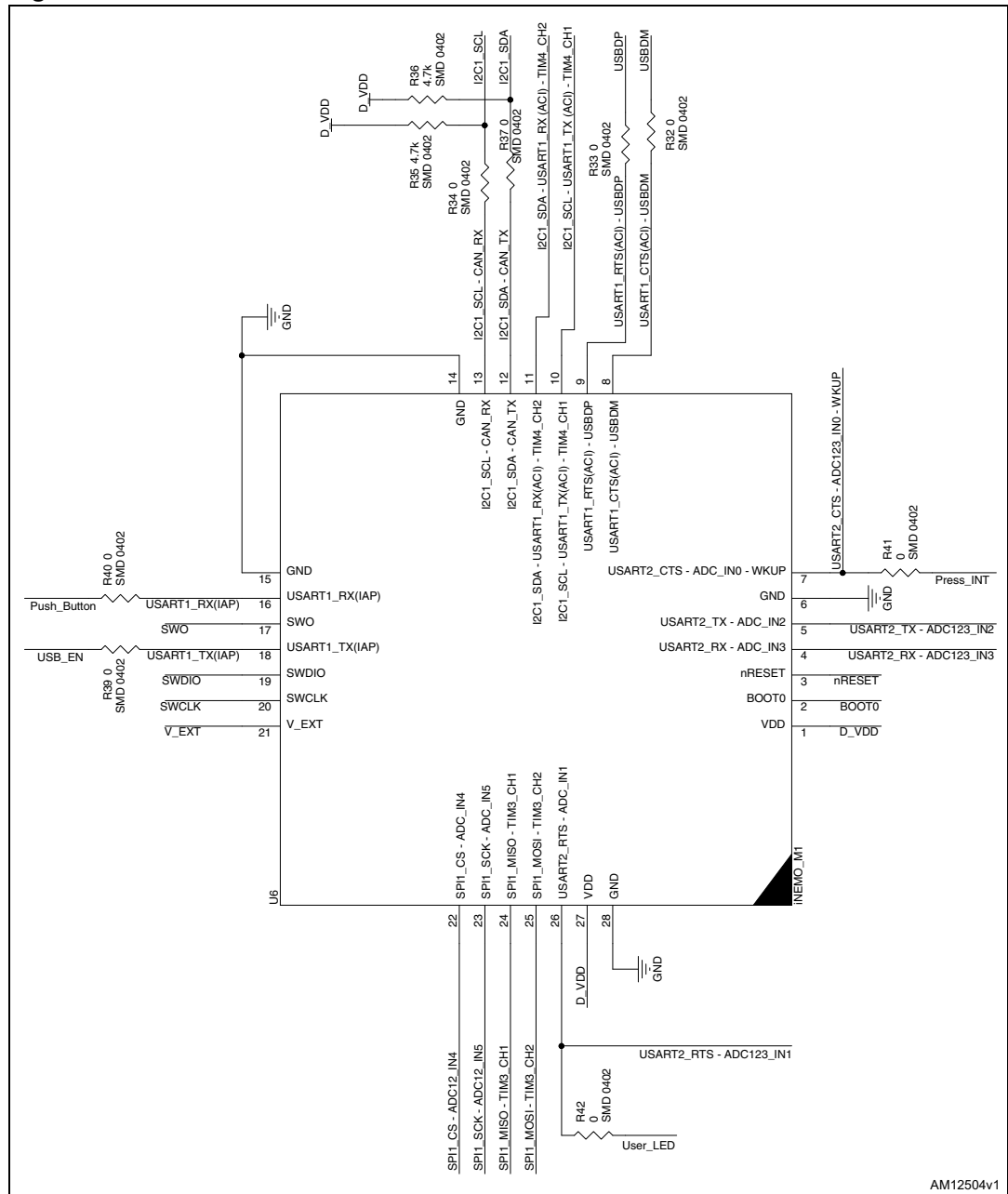


Figure 3. Pressure sensor and power management stage

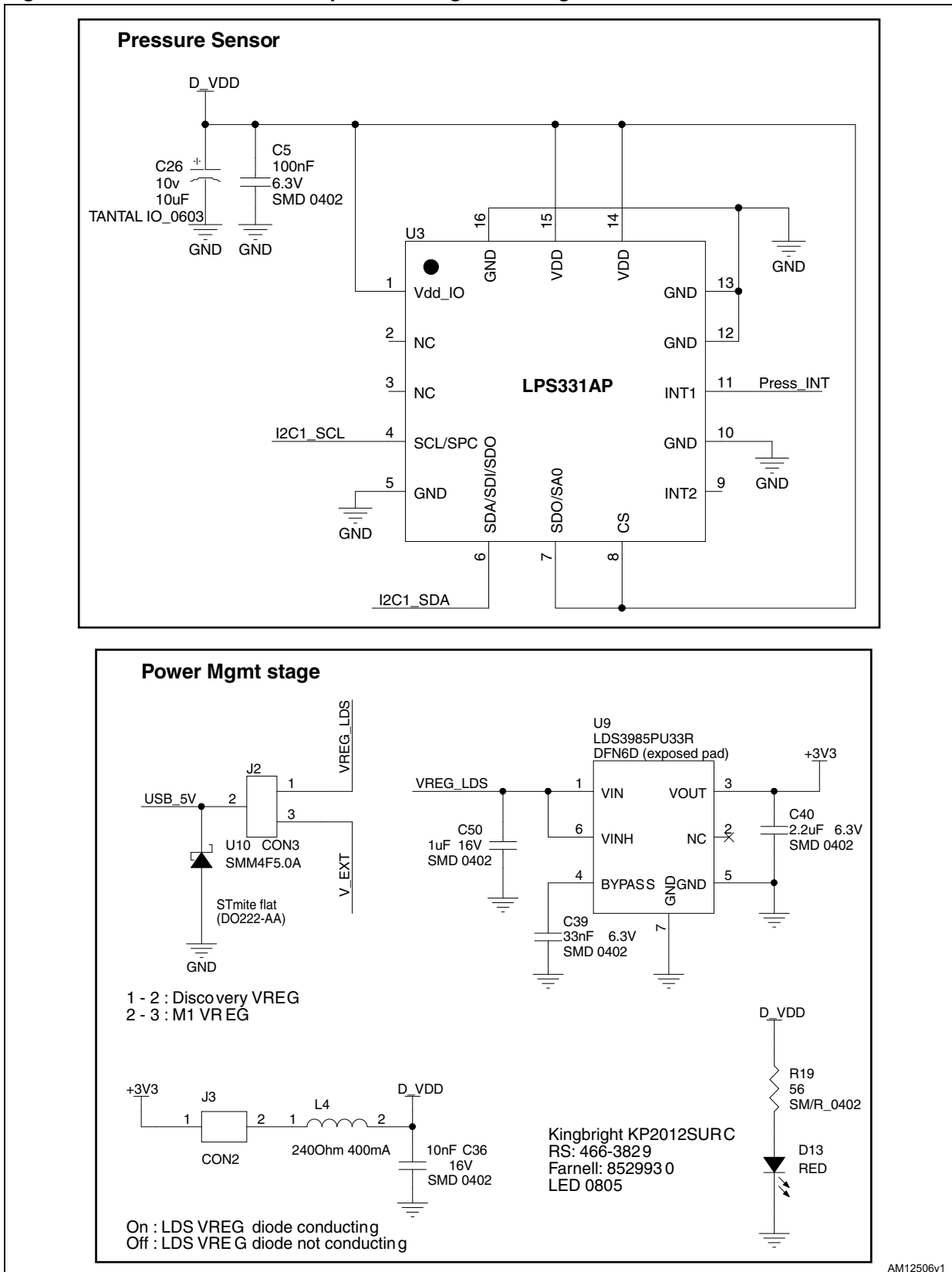
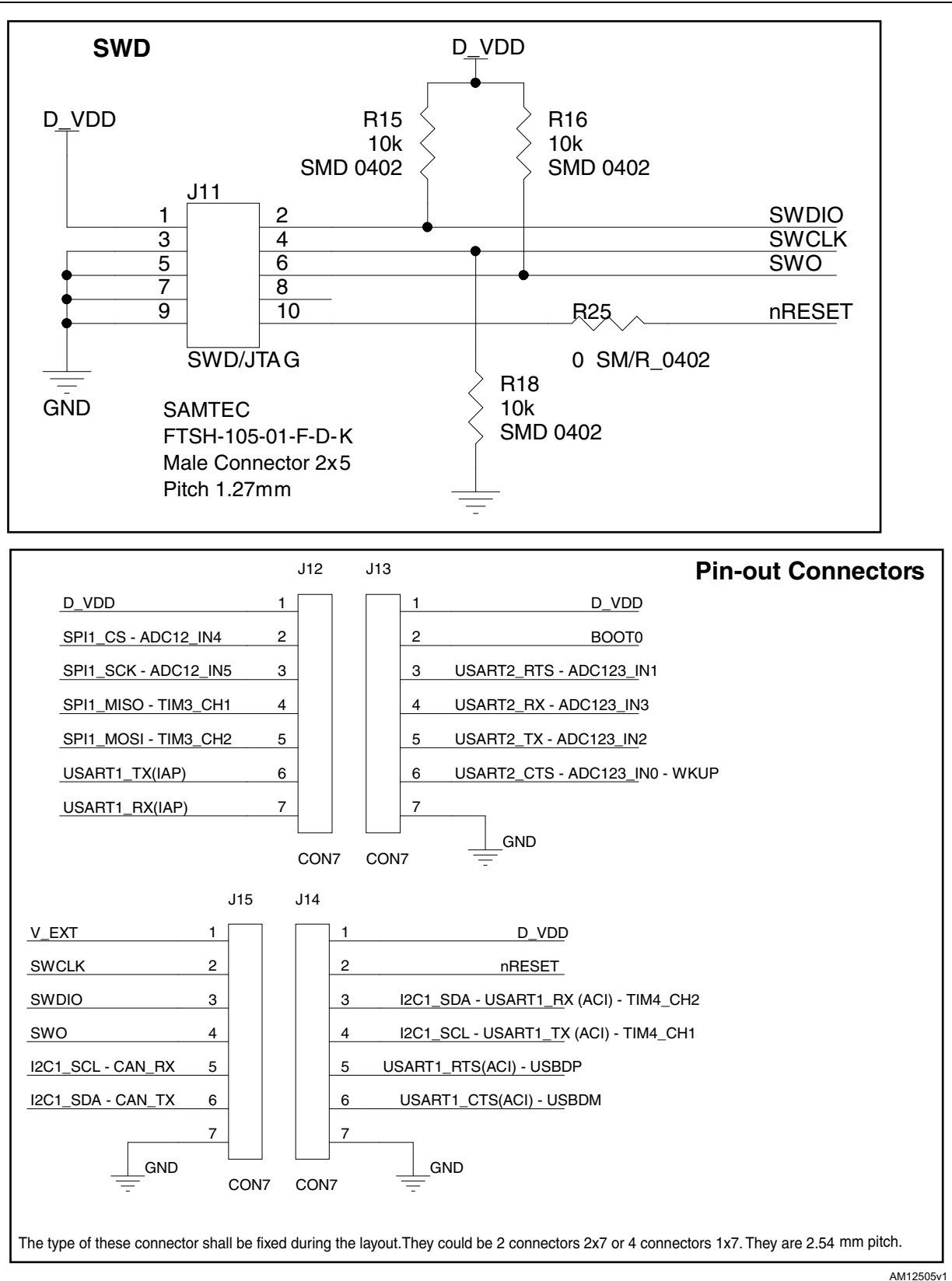


Figure 4. SWD and pinout connectors



2 Revision history

Table 1. Document revision history

Date	Revision	Changes
13-Sep-2012	1	Initial release.

Please Read Carefully:

Information in this document is provided solely in connection with ST products. STMicroelectronics NV and its subsidiaries ("ST") reserve the right to make changes, corrections, modifications or improvements, to this document, and the products and services described herein at any time, without notice.

All ST products are sold pursuant to ST's terms and conditions of sale.

Purchasers are solely responsible for the choice, selection and use of the ST products and services described herein, and ST assumes no liability whatsoever relating to the choice, selection or use of the ST products and services described herein.

No license, express or implied, by estoppel or otherwise, to any intellectual property rights is granted under this document. If any part of this document refers to any third party products or services it shall not be deemed a license grant by ST for the use of such third party products or services, or any intellectual property contained therein or considered as a warranty covering the use in any manner whatsoever of such third party products or services or any intellectual property contained therein.

UNLESS OTHERWISE SET FORTH IN ST'S TERMS AND CONDITIONS OF SALE ST DISCLAIMS ANY EXPRESS OR IMPLIED WARRANTY WITH RESPECT TO THE USE AND/OR SALE OF ST PRODUCTS INCLUDING WITHOUT LIMITATION IMPLIED WARRANTIES OF MERCHANTABILITY, FITNESS FOR A PARTICULAR PURPOSE (AND THEIR EQUIVALENTS UNDER THE LAWS OF ANY JURISDICTION), OR INFRINGEMENT OF ANY PATENT, COPYRIGHT OR OTHER INTELLECTUAL PROPERTY RIGHT.

UNLESS EXPRESSLY APPROVED IN WRITING BY TWO AUTHORIZED ST REPRESENTATIVES, ST PRODUCTS ARE NOT RECOMMENDED, AUTHORIZED OR WARRANTED FOR USE IN MILITARY, AIR CRAFT, SPACE, LIFE SAVING, OR LIFE SUSTAINING APPLICATIONS, NOR IN PRODUCTS OR SYSTEMS WHERE FAILURE OR MALFUNCTION MAY RESULT IN PERSONAL INJURY, DEATH, OR SEVERE PROPERTY OR ENVIRONMENTAL DAMAGE. ST PRODUCTS WHICH ARE NOT SPECIFIED AS "AUTOMOTIVE GRADE" MAY ONLY BE USED IN AUTOMOTIVE APPLICATIONS AT USER'S OWN RISK.

Resale of ST products with provisions different from the statements and/or technical features set forth in this document shall immediately void any warranty granted by ST for the ST product or service described herein and shall not create or extend in any manner whatsoever, any liability of ST.

ST and the ST logo are trademarks or registered trademarks of ST in various countries.

Information in this document supersedes and replaces all information previously supplied.

The ST logo is a registered trademark of STMicroelectronics. All other names are the property of their respective owners.

© 2012 STMicroelectronics - All rights reserved

STMicroelectronics group of companies

Australia - Belgium - Brazil - Canada - China - Czech Republic - Finland - France - Germany - Hong Kong - India - Israel - Italy - Japan - Malaysia - Malta - Morocco - Philippines - Singapore - Spain - Sweden - Switzerland - United Kingdom - United States of America

www.st.com