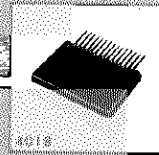


# STK 3042II, 3062II, 3082II

thick film hybrid IC

VOLTAGE AMP. FOR 40 to 90W  
AF POWER AMP.



### Use

- STK 3042II: A voltage amplifier for 40 to 50W AF power amplifier.
- STK 3062II: A voltage amplifier for 60 to 70W AF power amplifier.
- STK 3082II: A voltage amplifier for 80 to 90W AF power amplifier.

### MAXIMUM RATING / $T_a=25^\circ\text{C}$

		STK 3042II	STK 3062II	STK 3082II	unit
Maximum Supply Voltage	$V_{CC}$ max	$\pm 55$	$\pm 59$	$\pm 65$	V
Allowable Power Dissipation	$P_d$ max	→	→	4	W
Operating Case Temperature	$T_C$	→	→	100	$^\circ\text{C}$
Storage Temperature	$T_{stg}$	→	→	-30to+100	$^\circ\text{C}$

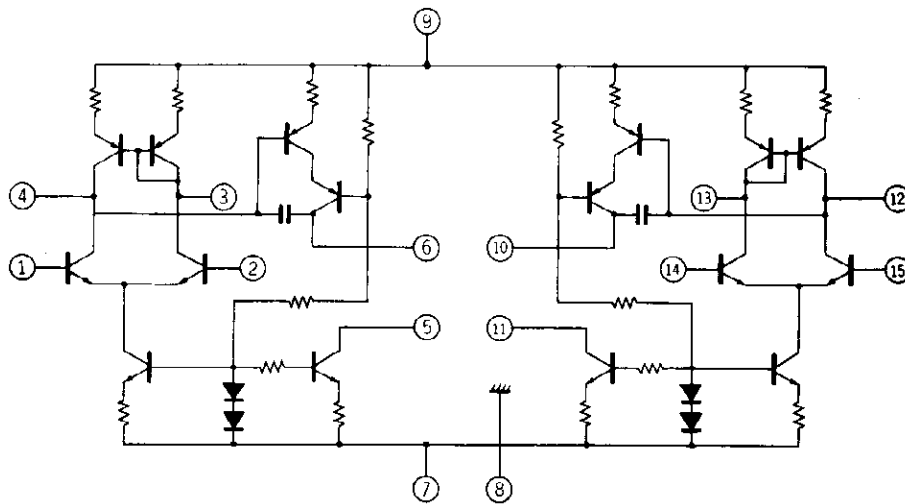
### RECOMMENDED OPERATION CONDITION / $T_a=25^\circ\text{C}$

		STK 3042II	STK 3062II	STK 3082II	unit
Recommended Supply Voltage	$V_{CC}$	$\pm 43$	$\pm 48$	$\pm 56$	V
Load Resistance	$R_L$	→	→	33k	ohm

### OPERATION CHARACTERISTICS / $T_a=25^\circ\text{C}$ , $V_G=26.5\text{dB}$ , $R_L=22\text{k ohm}$

		STK 3042II	STK 3062II	STK 3082II	unit
Current Dissipation	$I_{CC}$	30	35	35	mA max
Output Center Voltage	$V_N$	→	→	-50to+50	mV
Output Noise Voltage	$V_{NO}$	→	→	1.0	mV max
Input Resistance	$r_i$	→	→	33k	ohm
Total Harmonic Distortion	THD	→	→	0.01	% max

### EQUIVALENT CIRCUIT



STK 3042II, 3062II, 3082II