

**STK311-010**

## RDS Demodulation + Synchronization and Error Correction

### Overview

The STK311-010 is a hybrid integrated circuit (HIC) for Radio Data System (RDS) applications which must conform to European Broadcasting Union (EBU) enforced recommendations. Since the Radio Data System (RDS) subjects every kind of data to multiplex broadcasting for FM broadcasts, the STK311-010 functions as a hybrid IC which demodulates the modulated signal's data, previously multiplexed to a RDS signal, matches synchronization and performs error detection and correction. By combining SC system and photoresist technology with folded board construction and incorporating Sanyo's unique insulated metal substrate technology (IMST) to the base, the STK311-010 has successfully been contained within a low-profile package.

### Applications

- Car stereos
- Home stereos

### Features

- On-chip 57 kHz BPF provides adjustment-free performance
- On-chip 4 MHz ceramic oscillator
- Supports RDS data demodulation system designs incorporating fewer external components
- On-chip ARI-SK/DK decoder

### Specifications

#### Absolute Maximum Ratings at $T_a = 25^\circ\text{C}$

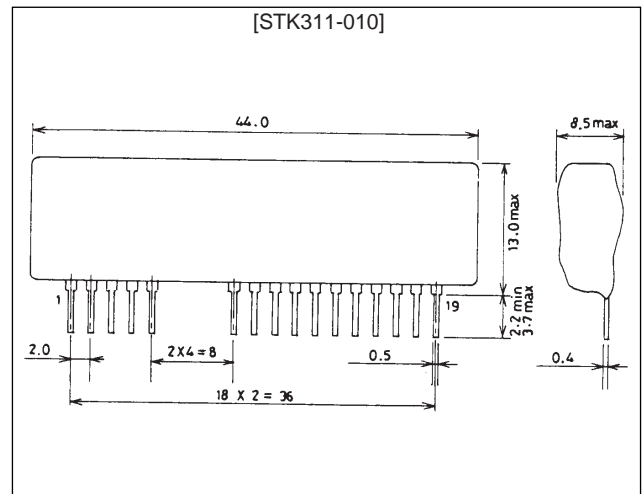
Parameter	Symbol	Conditions	Ratings	Unit
Maximum supply voltage	$V_{CC \text{ max}}$		6.3	V
Operating temperature	$T_{opr}$		-30 to +85	$^\circ\text{C}$
Storage temperature	$T_{stg}$		-40 to +100	$^\circ\text{C}$

#### Recommended Operational Voltage at $T_a = 25^\circ\text{C}_t$

Parameter	Symbol	Conditions	Ratings	Unit
Supply voltage	$V_{CC}$		5	V
Power supply voltage operating range	$V_{CC \text{ OP}}$		4.7 to 5.5	V

### Package Dimensions

unit: mm

**4132**

Operating Characteristics at  $T_a = 25^\circ\text{C}$ ,  $V_{CC} = 5\text{V}$

Parameter	Symbol	Conditions	min	typ	max	Unit
Quiescent current	$I_{CCO}$			26	38	mA
Band-pass filter gain	$V_{GBPF}$	$f = 57\text{ Hz}$	9	12.5	17	dB
Band-pass filter selectivity		$f = 60\text{ kHz}$ ( $57\text{ kHz} = 0\text{ dB}$ )	-6	-2.5	0	dB
		$f = 54\text{ kHz}$ ( $57\text{ kHz} = 0\text{ dB}$ )	-6	-3.5	0	dB
		$f = 38\text{ kHz}$ ( $57\text{ kHz} = 0\text{ dB}$ )		-39	-33	dB
PLL capture range	CR	5 mVrms, CW input		-0.9		%
				+1.5		%
RDS detection sensitivity		4 pin input voltage which sets 12 pin to low		0.4	1.0	mVrms
SK detection sensitivity		4 pin input voltage which sets 11 pin to low		1.0	2.0	mVrms
DK detection sensitivity		4 pin input voltage which sets 10 pin to low		1.7	2.6	mVrms
RDS input dynamic range		4 pin maximum input signal (ARI + RDS) which sets 12 pin to low	30	50		mVrms
DK input dynamic range		4 pin maximum input signal (ARI) which sets 10 pin to low	75	100		mVrms
VCO free-run frequency	$f_{OSC}$		453	456	459	kHz
Output high level voltage	$V_{OH}$	*1 $I_{OH} = -50\ \mu\text{A}$	$V_{CC} - 1.2$			V
		*1 $I_{OH} = -10\ \mu\text{A}$	$V_{CC} - 0.5$			V
Output low level voltage	$V_{OL}$	*2 $I_{OL} = 10\text{ mA}$			1.5	V
		*2 $I_{OL} = 1.8\text{ mA}$			0.4	V
Ceramic oscillator stability time	$t_{CFS}$	Refer to Figure 1			10	ms
Reset time	$t_{RST}$	Refer to Figure 2				

Note: 1. DATA START, DATA OUT, CLOCK OUT  
 2. RECEIVE, CORRECTION, ERROR, DATA START, DATA OUT, CLOCK OUT

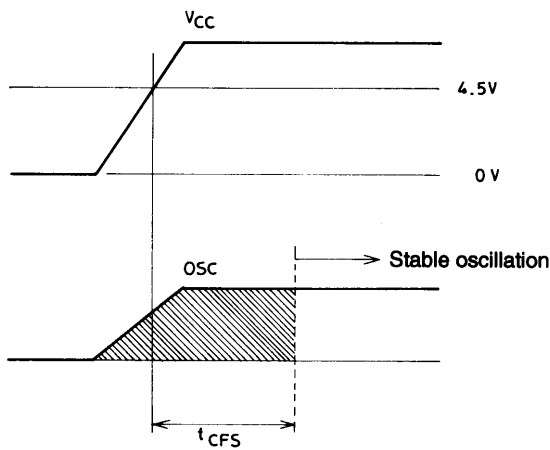
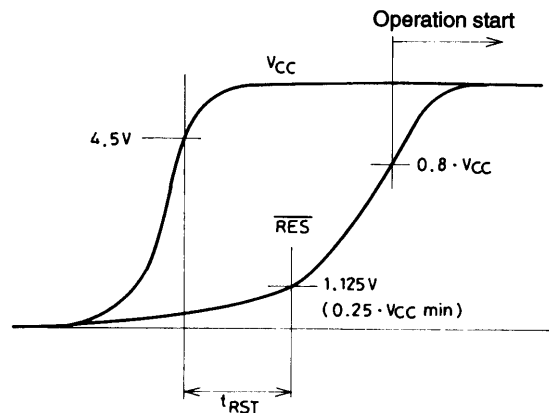


Figure 1 Oscillation Stability Time



Set to 10 ms or greater while referencing oscillation stability time.

Figure 2 Reset Time

Other

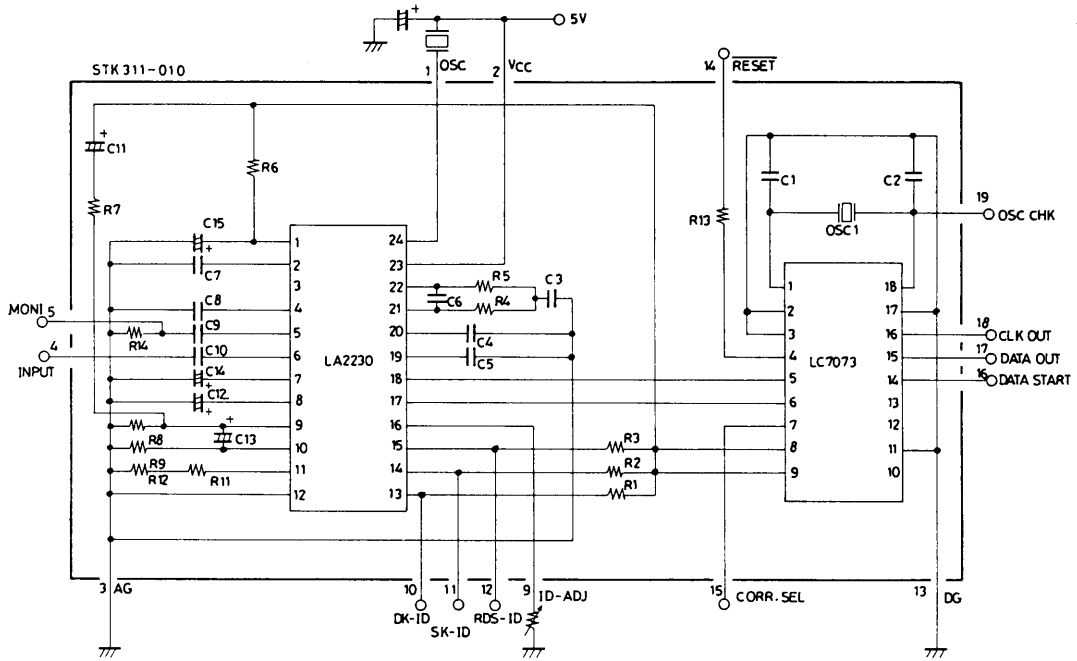
The STK311-010 supports HIC internal settings for all output signals of CLK OUT and DATA START. These are shown in the following table.

Table 1 Output Signal Settings

Setting	Polarity of CLK OUT	DATA START Output
1	Negative edge trigger	Every block
2	Negative edge trigger	Only 2nd block
3	Positive edge trigger	Every block
4	Positive edge trigger	Only 2nd block

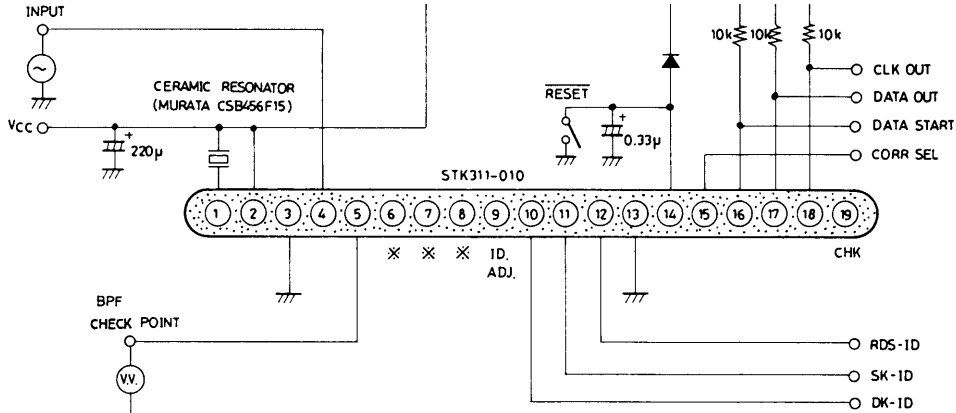
Note: STK311-010 defaults to setting 1 though other settings are supported.

Internal Equivalent Circuit



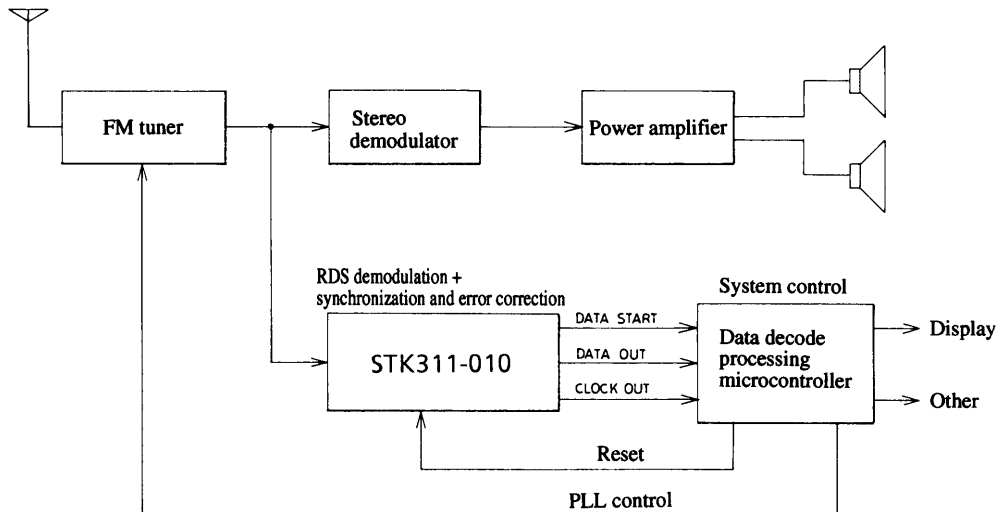
\* R11 is a function trimming resistor  
6, 7 and 8 are missing pins

Sample Application Circuit

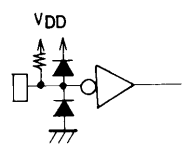
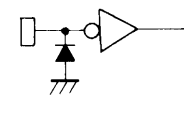
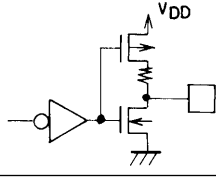
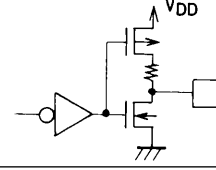
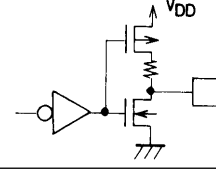


The \* mark indicates missing pins  
Unit (resistance: Ω, capacitance: F)

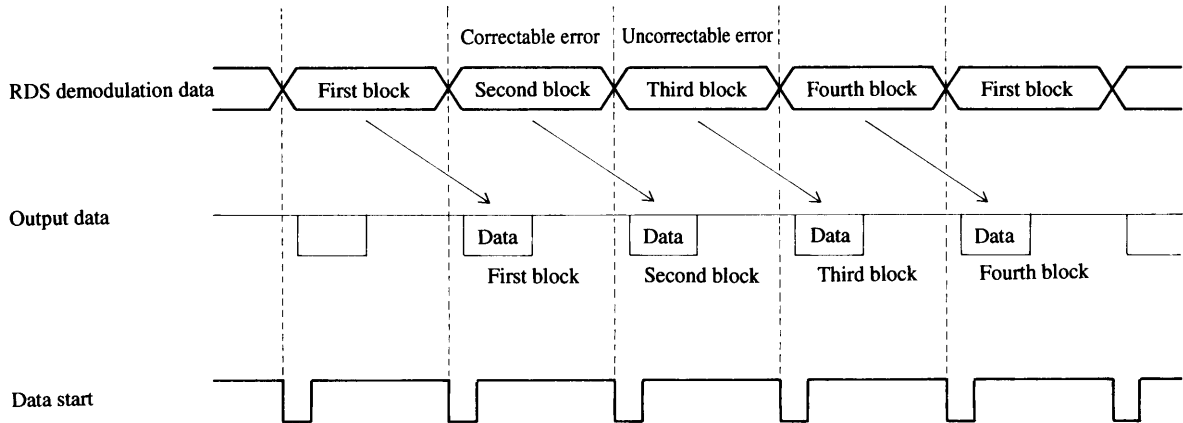
Sample System Configuration



Pin Functions

Pin No.	Pin name	Functions	
1	OSC	This pin is for connecting the VCO ceramic oscillator (456 kHz).	
2	V <sub>CC</sub>	This power supply pin is for LA2230 and LC7073 plus power supply.	
3	AG	This ground pin is for connecting the analog system (LA2230) ground (GND).	
4	INPUT	This is the input pin.	
5	MONI	This pin is for BPF (adjustment use) monitor output.	
9	ID-ADJ	This pin is for SK detection sensitivity adjustment use.	
10	DK-ID	Output pin for signaling existence of DK signal detection. When DK signal detection is possible, a low level output is enabled and when detection is not possible, a high level is established.	
11	SK-ID	Output pin for signaling existence of SK signal detection. When SK signal detection is possible, a low level output is enabled and when detection is not possible, a high level is established.	
12	RDS-ID	Output pin for signaling existence of RDS signal detection. When RDS signal detection is possible, a low level output is enabled and when detection is not possible, a high level is established.	
13	DG	This ground pin is for connecting the digital system (LC7073) ground (GND).	
14	RESET		This pin is for reset input. Reset restart inputs a low level for more than 4 clock cycles. Schmitt type with an on-chip pull-up resistor.
15	CORR. SEL		Select input pin for error correction existence. This pin is for setting whether or not errors within RDS demodulation data are corrected or output as is. When set to 0, the correction function is disabled; a setting of 1 enables error correction. Error correction mode corrects up to 5 bits within 5 bit distance.
16	DATA START		Output configuration controlled from serial data output block data starting signal DS control input. CMOS type output pin with pull-up MOS transistor.
17	DATA OUT		Serial data output data CMOS type output pin with pull-up MOS transistor.
18	CLK OUT		Clock output. CMOS type output pin with pull-up MOS transistor.
19	OSC CHK	Pin for OSC 1 oscillation frequency check.	

Relationship of RDS Demodulation Data (LA2230 Output) and LC7073 Output Data



- Serial data output from LC7073 (DATA OUT) is output 1 block slower than data received from LA2230/2231.

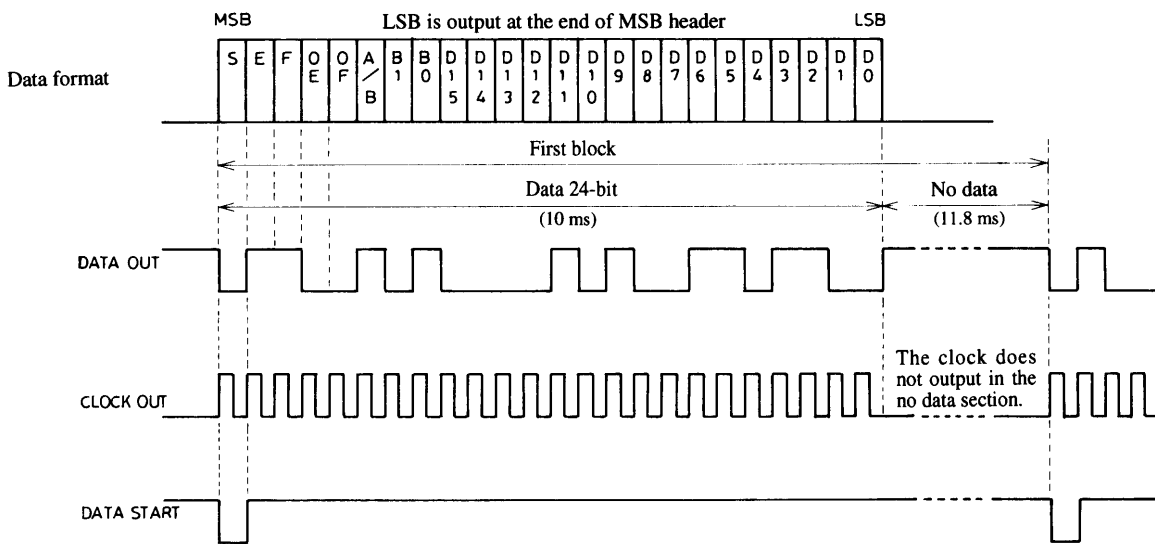
**Figure 3 Relationship of Demodulation Data and Output Data**

Serial Data Output Format and Timing

- S : Start bit (defaults to 0)
- E : Error flag
- F : Correction flag
- OE : Offset E (defaults to 0, future expansion use)
- OF : Offset F (defaults to 0, future expansion use)
- A/B : Group type version 0 : Version A  
1 : Version B
- B1 and B0 : Block number 00 : First block  
01 : Second block  
10 : Third block  
11 : Fourth block
- D15 to D0 : RDS data

Table 2 Error (E) and Correction (F) Flags

Item	E	F
No error	0	0
Correction complete	0	1
Uncorrectable	1	1



**Figure 4 Serial Data Output Format and Timing**

Control Input CORR.SEL Pin Read Timing

Usually, this pin is used for checking pin states. However, the error correction can be activated using this control input at any time.

During Synchronization Detection

Pin status is read for every single bit of demodulation data from the RDS demodulation IC (indicated in the illustration by a down arrow) and this continues for four times until the time that a single bit can be taken and read to the internal system.

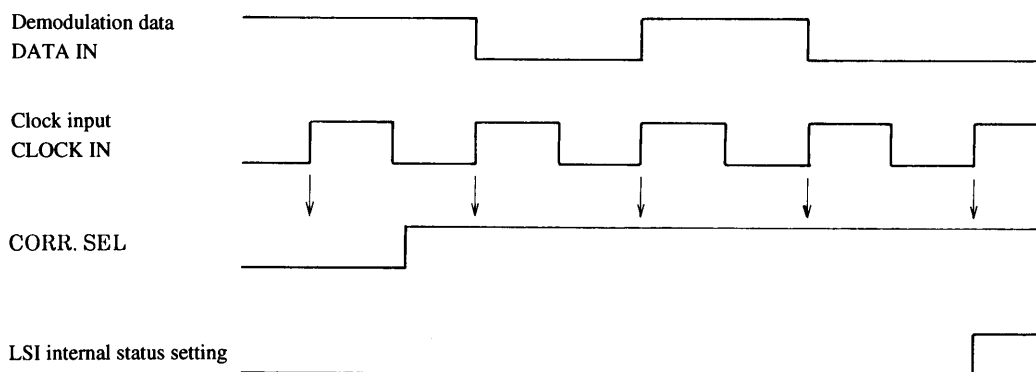


Figure 5 Pin Read Timing During Synchronization Detection

After Synchronization Detection

Pin status is read for every block header of demodulation data from the RDS demodulation IC (indicated in the illustration by a down arrow) and this continues for four times until the time that a single bit can be taken and read to the internal system.

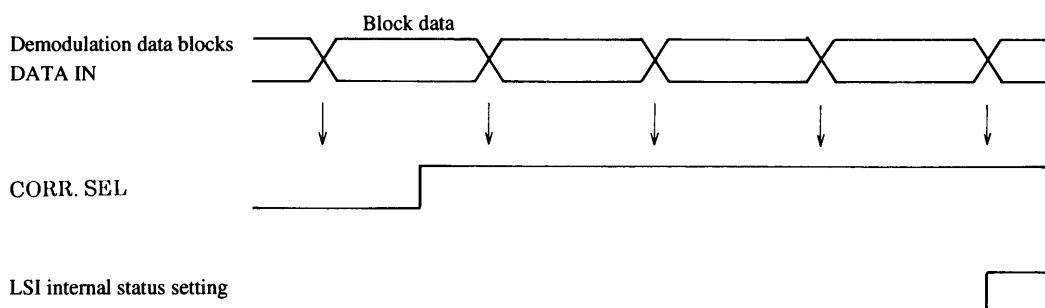
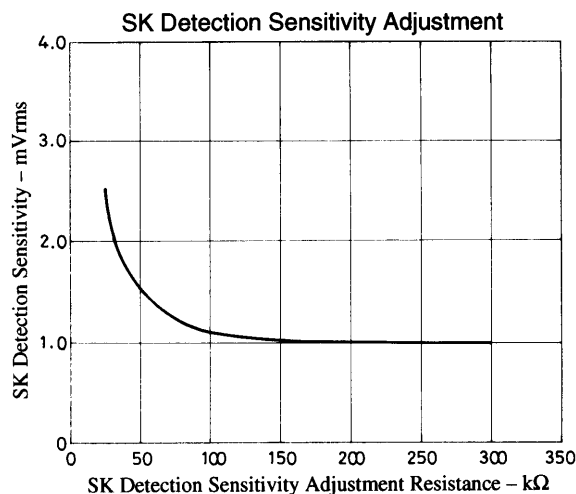
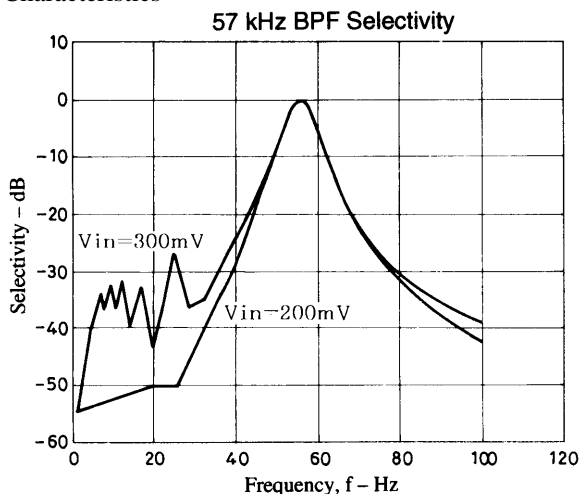


Figure 6 Pin Read Timing After Synchronization Detection

Data Characteristics



- No products described or contained herein are intended for use in surgical implants, life-support systems, aerospace equipment, nuclear power control systems, vehicles, disaster/crime-prevention equipment and the like, the failure of which may directly or indirectly cause injury, death or property loss.
- Anyone purchasing any products described or contained herein for an above-mentioned use shall:
  - ① Accept full responsibility and indemnify and defend SANYO ELECTRIC CO., LTD., its affiliates, subsidiaries and distributors and all their officers and employees, jointly and severally, against any and all claims and litigation and all damages, cost and expenses associated with such use:
  - ② Not impose any responsibility for any fault or negligence which may be cited in any such claim or litigation on SANYO ELECTRIC CO., LTD., its affiliates, subsidiaries and distributors or any of their officers and employees jointly or severally.
- Information (including circuit diagrams and circuit parameters) herein is for example only; it is not guaranteed for volume production. SANYO believes information herein is accurate and reliable, but no guarantees are made or implied regarding its use or any infringements of intellectual property rights or other rights of third parties.

This catalog provides information as of August, 1997. Specifications and information herein are subject to change without notice.