



# STK4048V

## 150 W min AF Power Amplifier (Split Power Supply)

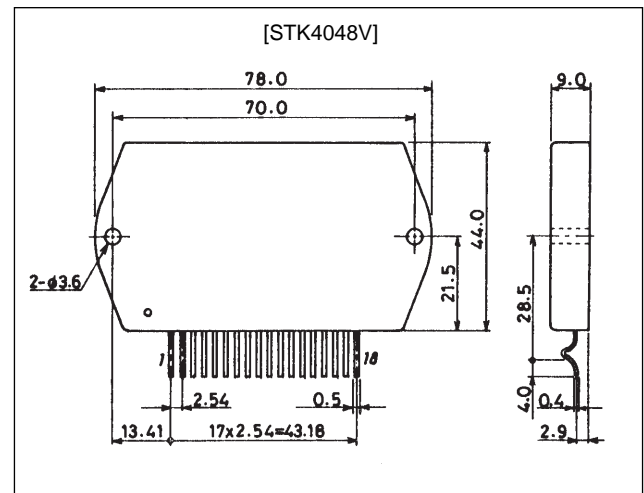
### Features

- Compact packaging supports slimmer set designs
- Series designed from 20 up to 100 W (200 W) and pin-compatibility (120 to 200 W have 18 pins)
- Simpler heat sink design facilitates thermal design of slim stereo sets
- Current mirror circuit application reduce distortion to 0.08 %
- Supports addition of electronic circuits for thermal shutdown and load-short protection circuit as well as pop noise muting which occurs when the power supply switch is turned on and off.

### Package Dimensions

unit: mm

4051A



### Specifications

#### Maximum Ratings at Ta = 25°C

Parameter	Symbol	Condition	Rating	Unit
Maximum supply voltage	V <sub>CC</sub> max		± 87	V
Thermal resistance	θ <sub>j-c</sub>		1.2	°C/W
Junction temperature	T <sub>j</sub>		150	°C
Operating substrate temperature	T <sub>c</sub>		125	°C
Storage temperature	T <sub>stg</sub>		-30 to +125	°C

#### Recommended Operational Conditions at Ta = 25°C

Parameter	Symbol	Condition	Rating	Unit
Recommended supply voltage	V <sub>CC</sub>		± 60	V
Load resistance	R <sub>L</sub>		8	Ω

## STK4048V

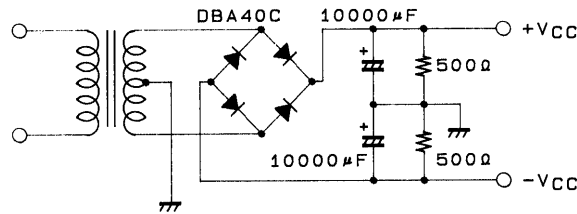
### Operating Characteristics

at  $T_a = 25^\circ\text{C}$ ,  $V_{CC} = \pm 60\text{ V}$ ,  $R_L = 8\ \Omega$ ,  $V_G = 40\text{ dB}$ ,  $R_g = 600\ \Omega$ , 100 k LPF ON,  $R_L$  (non-inductive load)

Parameter	Symbol	Condition	Rating			Unit
			min	typ	max	
Quiescent current	$I_{CCO}$	$V_{CC} = \pm 72\text{ V}$	15		120	mA
Output power	$P_O$	THD = 0.08 %, $f = 20\text{ Hz to } 20\text{ kHz}$	150			W
Total harmonic distortion	THD	$P_O = 1.0\text{ W}$ , $f = 1\text{ kHz}$			0.08	%
Frequency response	$f_L, f_H$	$P_O = 1.0\text{ W}$ , $+0, -3\text{ dB}$		20 to 50k		Hz
Input resistance	$r_i$	$P_O = 1.0\text{ W}$ , $f = 1\text{ kHz}$		55		k $\Omega$
Output noise voltage	$V_{NO}$	$V_{CC} = \pm 72\text{ V}$ , $R_g = 10\text{ k}\Omega$			1.2	mVrms
Neutral voltage	$V_N$	$V_{CC} = \pm 72\text{ V}$	-70	0	+70	mV

Note: Use a constant-voltage power supply as the test power supply unless otherwise specified

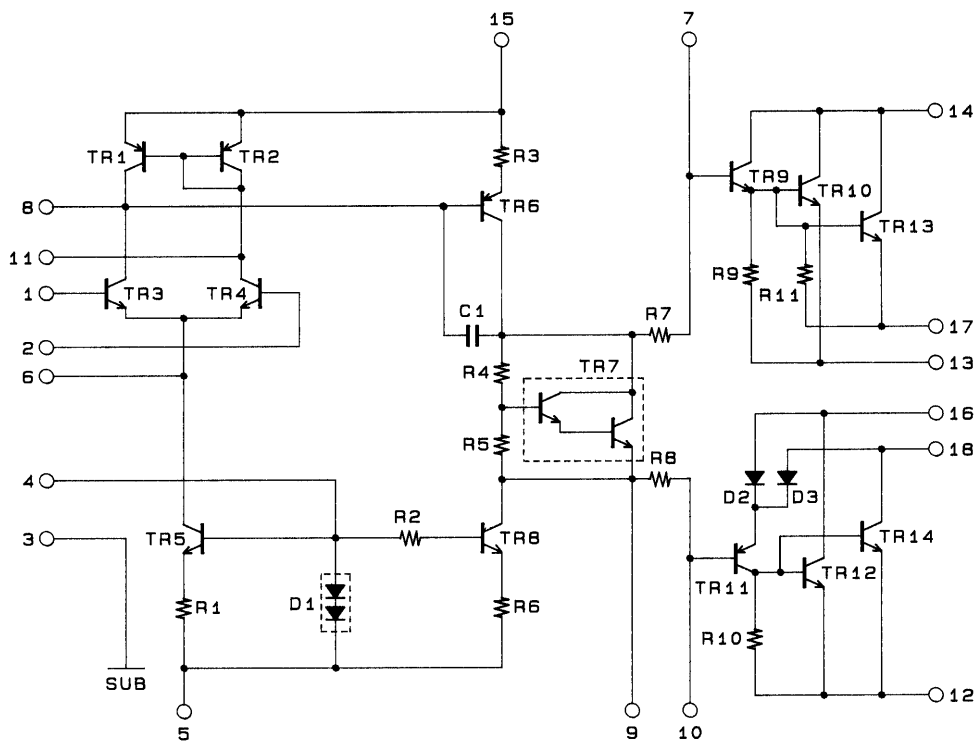
\* The output noise voltage is the peak value measured with an averaging rms scale volt meter. The noise voltage waveform should not include pulse noise.



A01237

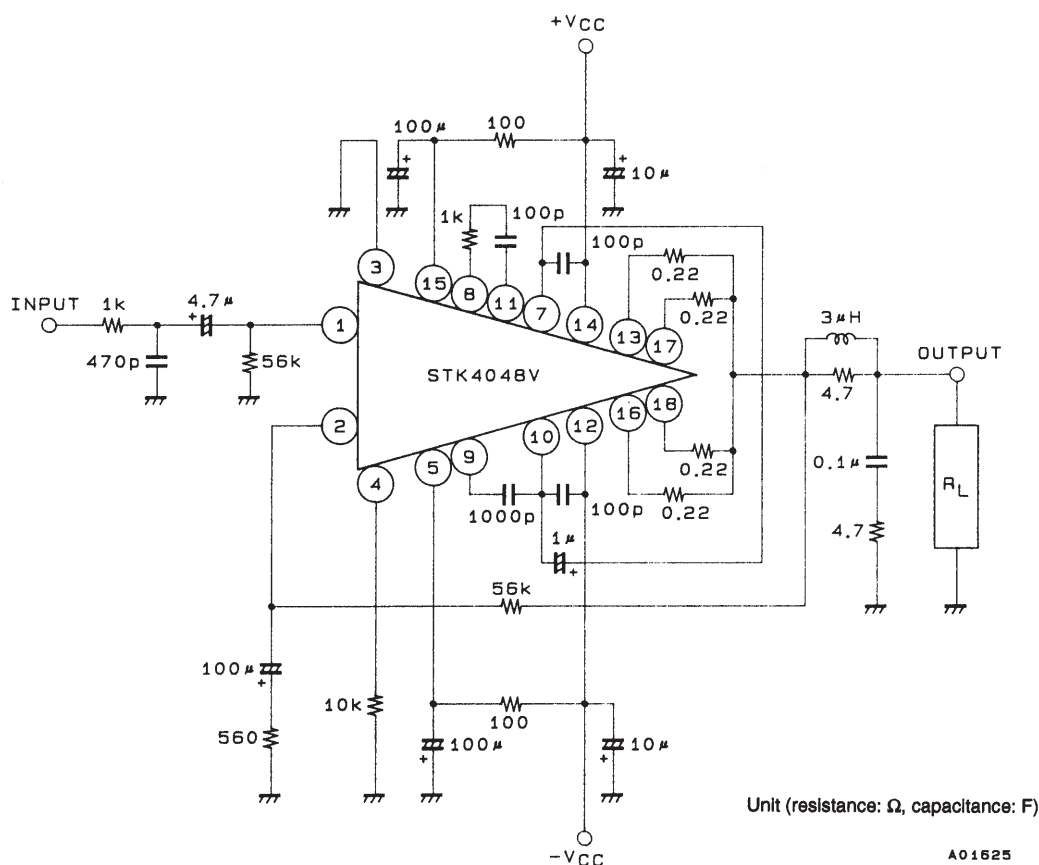
### Specified Transformer Power Supply (MG-250 Equivalent)

### Equivalent Circuit



A01538

Application Circuit: 150W min Single Channel AF Power Amplifier



- No products described or contained herein are intended for use in surgical implants, life-support systems, aerospace equipment, nuclear power control systems, vehicles, disaster/crime-prevention equipment and the like, the failure of which may directly or indirectly cause injury, death or property loss.
- Anyone purchasing any products described or contained herein for an above-mentioned use shall:
  - ① Accept full responsibility and indemnify and defend SANYO ELECTRIC CO., LTD., its affiliates, subsidiaries and distributors and all their officers and employees, jointly and severally, against any and all claims and litigation and all damages, cost and expenses associated with such use:
  - ② Not impose any responsibility for any fault or negligence which may be cited in any such claim or litigation on SANYO ELECTRIC CO., LTD., its affiliates, subsidiaries and distributors or any of their officers and employees jointly or severally.
- Information (including circuit diagrams and circuit parameters) herein is for example only; it is not guaranteed for volume production. SANYO believes information herein is accurate and reliable, but no guarantees are made or implied regarding its use or any infringements of intellectual property rights or other rights of third parties.

This catalog provides information as of November, 1997. Specifications and information herein are subject to change without notice.