

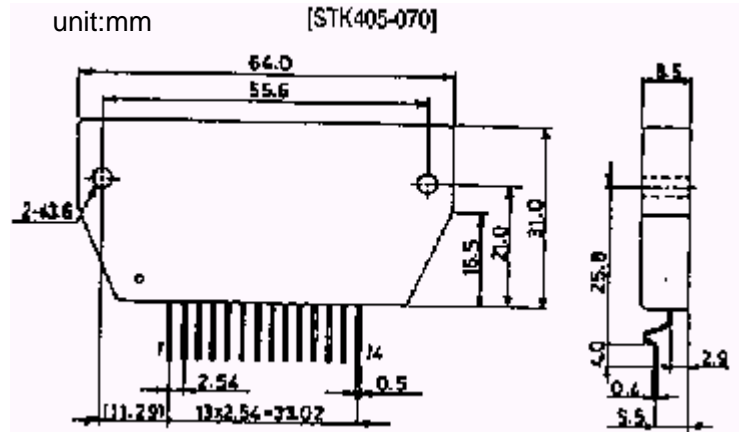
# STK405-070

## 2ch AF Power Amplifier(Split Power Supply)

### ◆ Features

- . Class B amplifiers
- . Low supply switching shock noises
- . Pin assignment grouped into individual blocks of inputs ,outputs and supply lines to minimize the adverse effects of pattern layout on operating characteristics
- . Standby operation possible using external circuit

### Package Dimensions



### Specifications

#### ◆ Maximum Ratings at Ta=25

Parameter	Symbol	Conditions	Ratings	UNIT
Maximum supply voltage	$V_{CC \text{ max}}$		$\pm 39$	V
Thermal resistance	j-c	Per power transistor	3.4	/W
Junction temperature	$T_j$		150	
Operating substrate temperature	$T_c$		125	
Storage temperature	$T_{stg}$		-30 to+125	
Available time for load short-circuit	$t_s$	$V_{CC} = \pm 18.5V, R_L = 6 \Omega, f = 50Hz, P_O = 20W$	1	s

#### ◆ Operating characteristics at Ta=25 , RL=6 ,Rg=600 ,VG=26dB, RL:non-inductive load

Parameter	Symbol	Conditions	min	typ	max	unit
Quiescent current	$I_{CCO}$	$V_{CC} = \pm 32.0V$ no load		13	20	mA
Output power	$P_O$	$V_{CC} = \pm 25.0V, THD = 10.0\%$ $f = 1kHz$	40			W
Total harmonic distortion	THD	$V_{CC} = \pm 25.0V P_O = 5.0W, f = 1kHz$		0.04	0.1	%
Frequency response	$f_L, f_H$	$P_O = 1.0W, \pm 0$ dB $V_{CC} = \pm 25.0V$ $-3$		20 to 50k		Hz
Input impedance	$r_j$	$V_{CC} = \pm 25.0V P_O = 1.0W, f = 1kHz$		55		k
Output noise voltage	$V_{NO}$	$V_{CC} = \pm 32.0V, R_g = 10 k$			1.2	mVrms
Neutral voltage	$V_N$	$V_{CC} = \pm 32.0V$	-100	0	+100	mV